



US00D463762S

(12) **United States Design Patent**  
**Everett**

(10) **Patent No.:** **US D463,762 S**

(45) **Date of Patent:** **\*\* Oct. 1, 2002**

(54) **INFANT JOGGING STROLLER**

(76) **Inventor:** **Richard C. Everett**, 225 Sunshine La.,  
West Linn, OR (US) 97068

(\*\*) **Term:** **14 Years**

(21) **Appl. No.:** **29/155,825**

(22) **Filed:** **Feb. 20, 2002**

(51) **LOC (7) Cl.** ..... **12-12**

(52) **U.S. Cl.** ..... **D12/129**

(58) **Field of Search** ..... **D12/128-133;**  
**280/36, 38, 42, 47, 62, 641, 642, 643, 650,**  
**658**

(56) **References Cited**

**U.S. PATENT DOCUMENTS**

D426,176 S	*	6/2000	Sutherland et al.	.....	D12/129
D452,194 S	*	12/2001	Stohr et al.	.....	D12/129
D452,197 S	*	12/2001	Martin et al.	.....	D12/129

\* cited by examiner

*Primary Examiner*—Marcus A. Jackson

(74) *Attorney, Agent, or Firm*—Edward E. Roberts

(57) **CLAIM**

The ornamental design for a infant jogging stroller, as shown and described.

**DESCRIPTION**

FIG. 1 is a perspective view of a infant jogging stroller showing my new design;

FIG. 2 is a left side elevational view of the stroller of FIG. 1;

FIG. 3 is a right side elevational view of the stroller of FIG. 1;

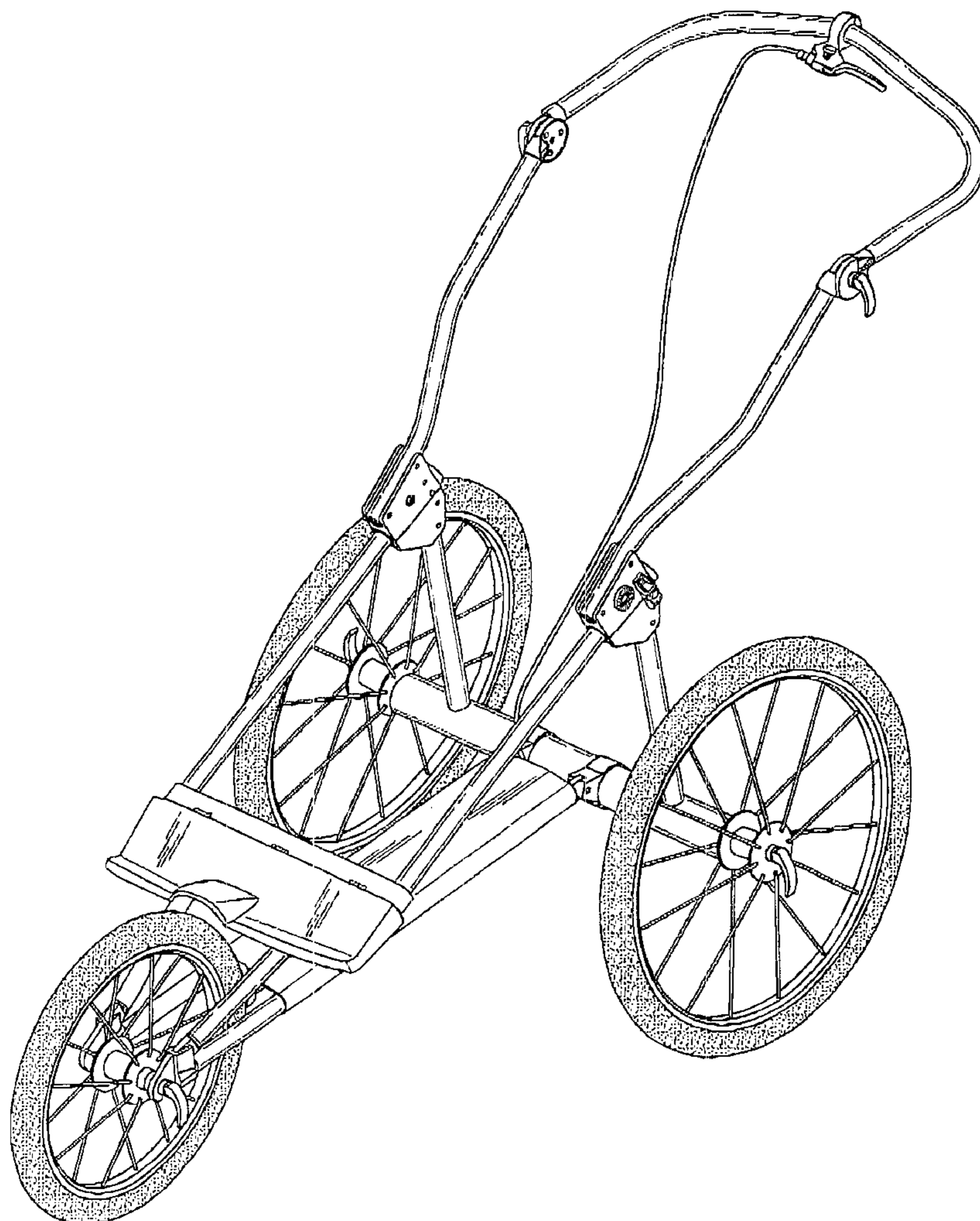
FIG. 4 is a front elevational view of FIG. 1;

FIG. 5 is a rear elevational view of FIG. 1;

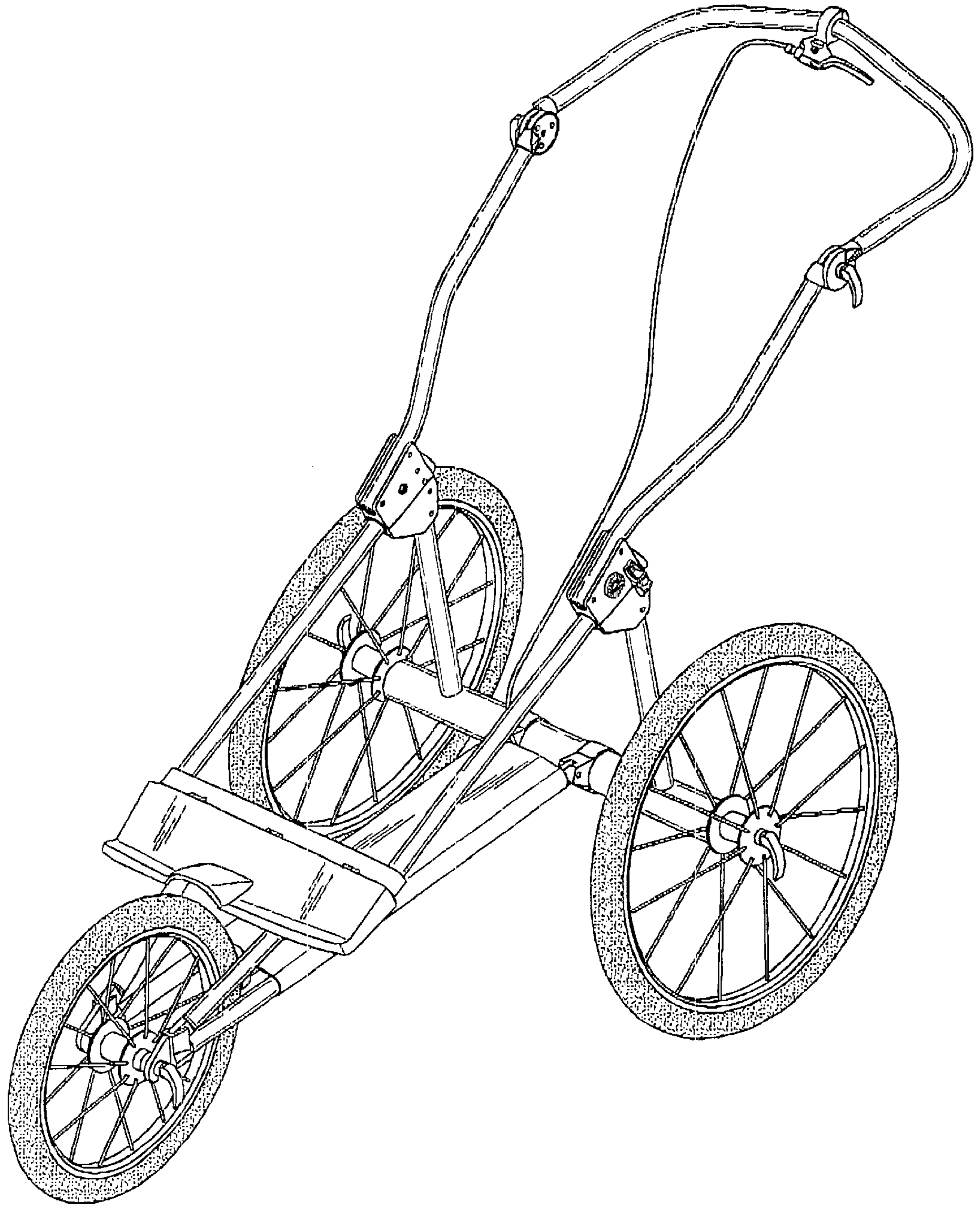
FIG. 6 is a top plan view of FIG. 1; and,

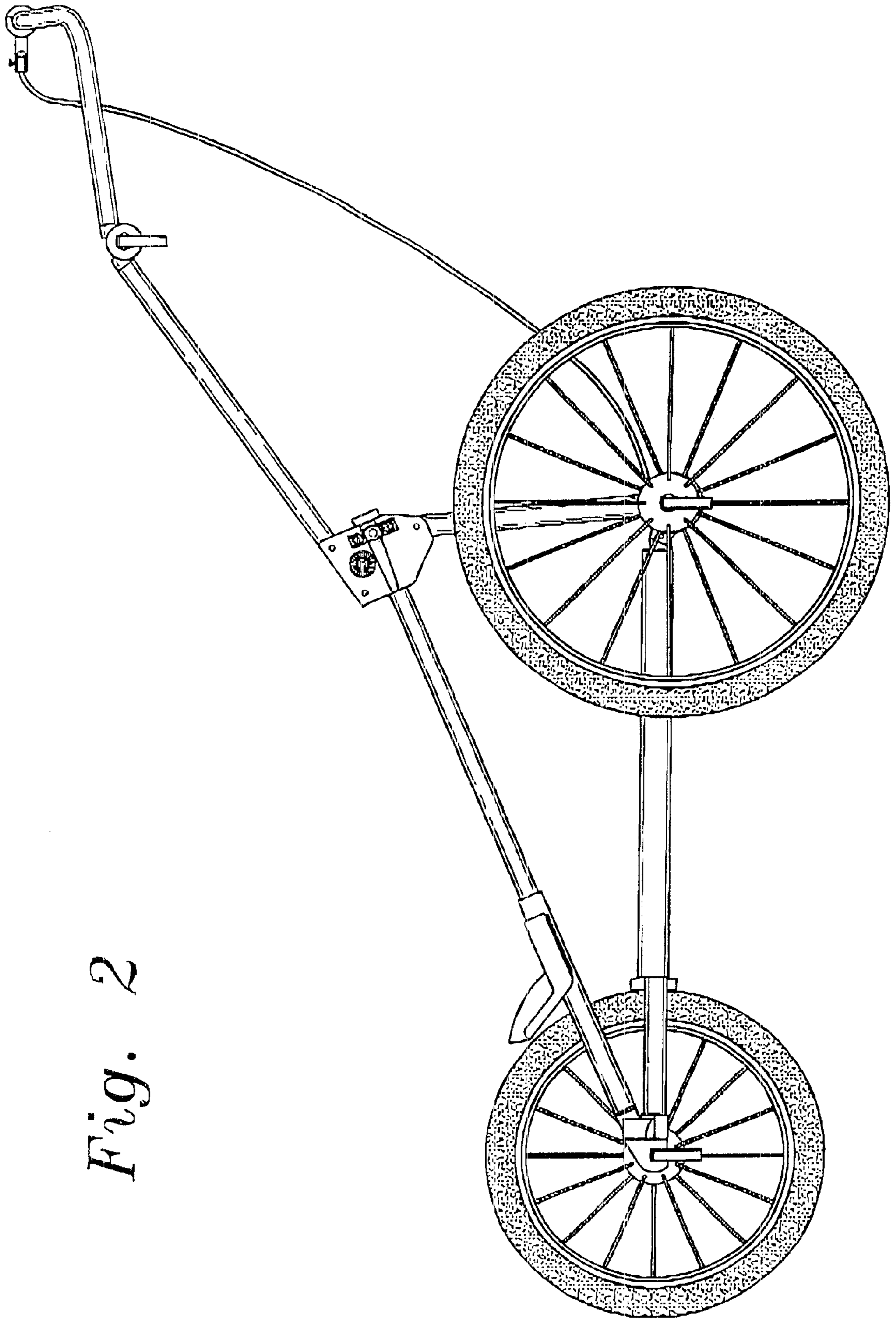
FIG. 7 is a bottom plan view of FIG. 1.

**1 Claim, 6 Drawing Sheets**



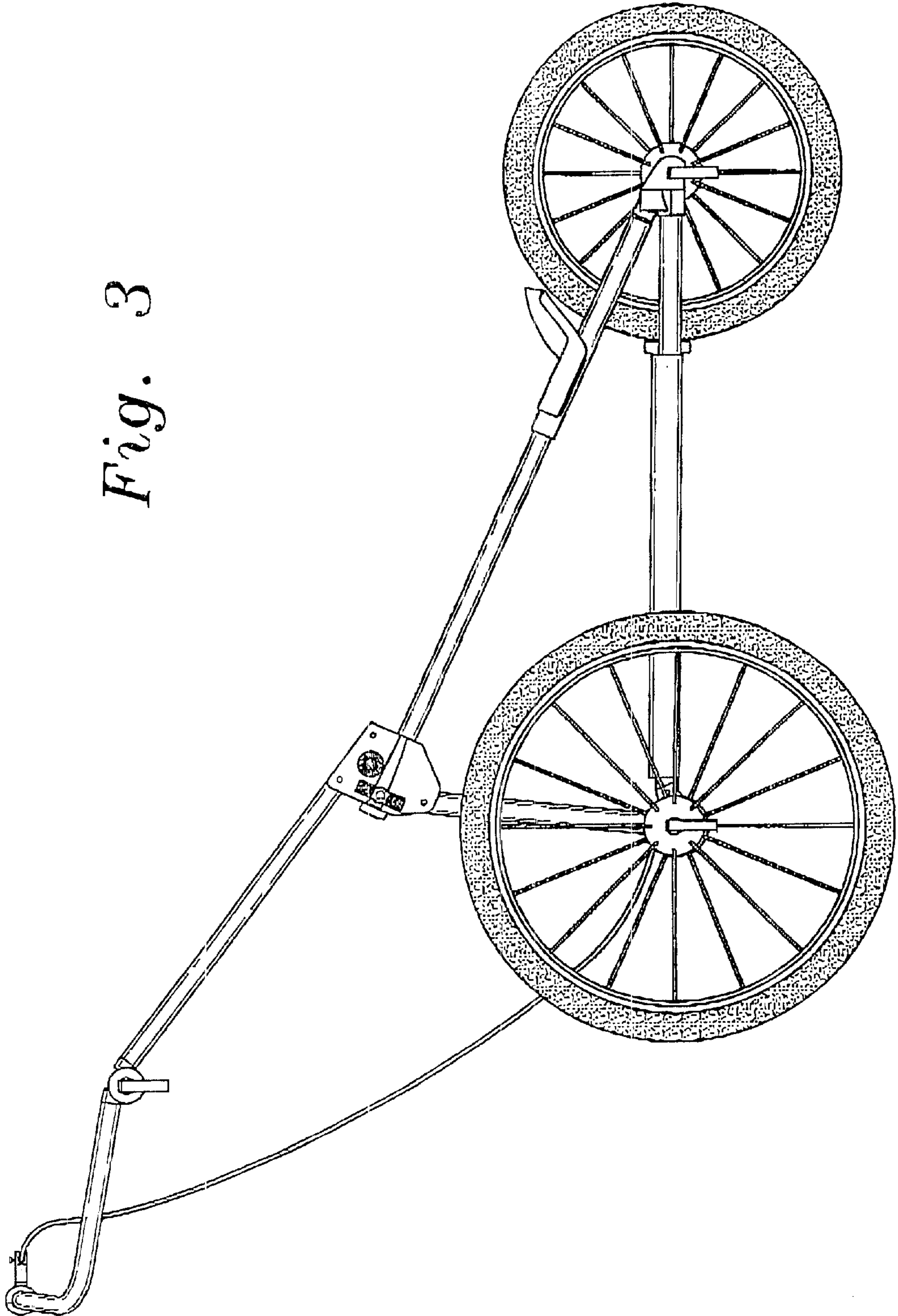
*Fig. 1*



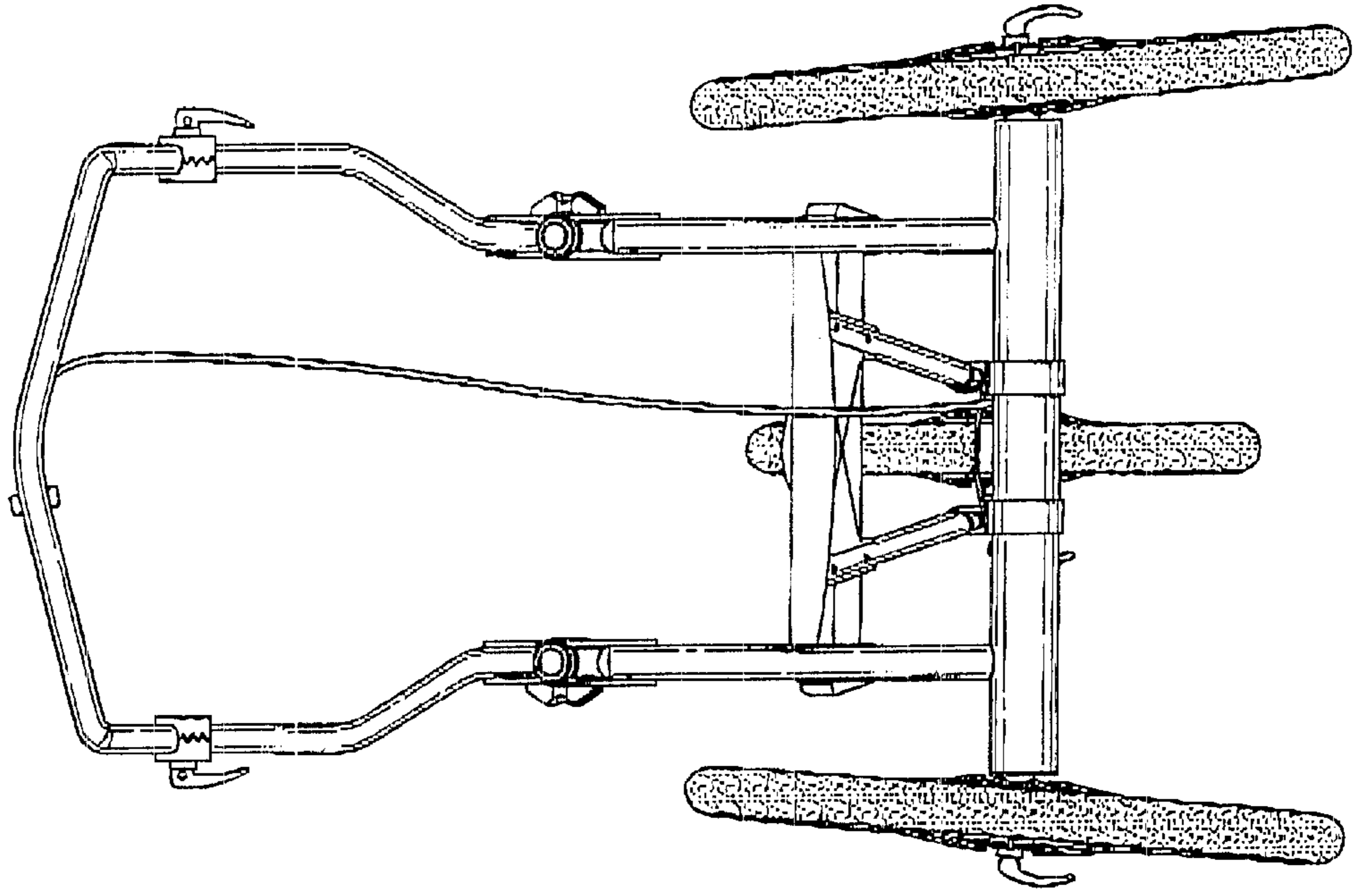


*Fig. 2*

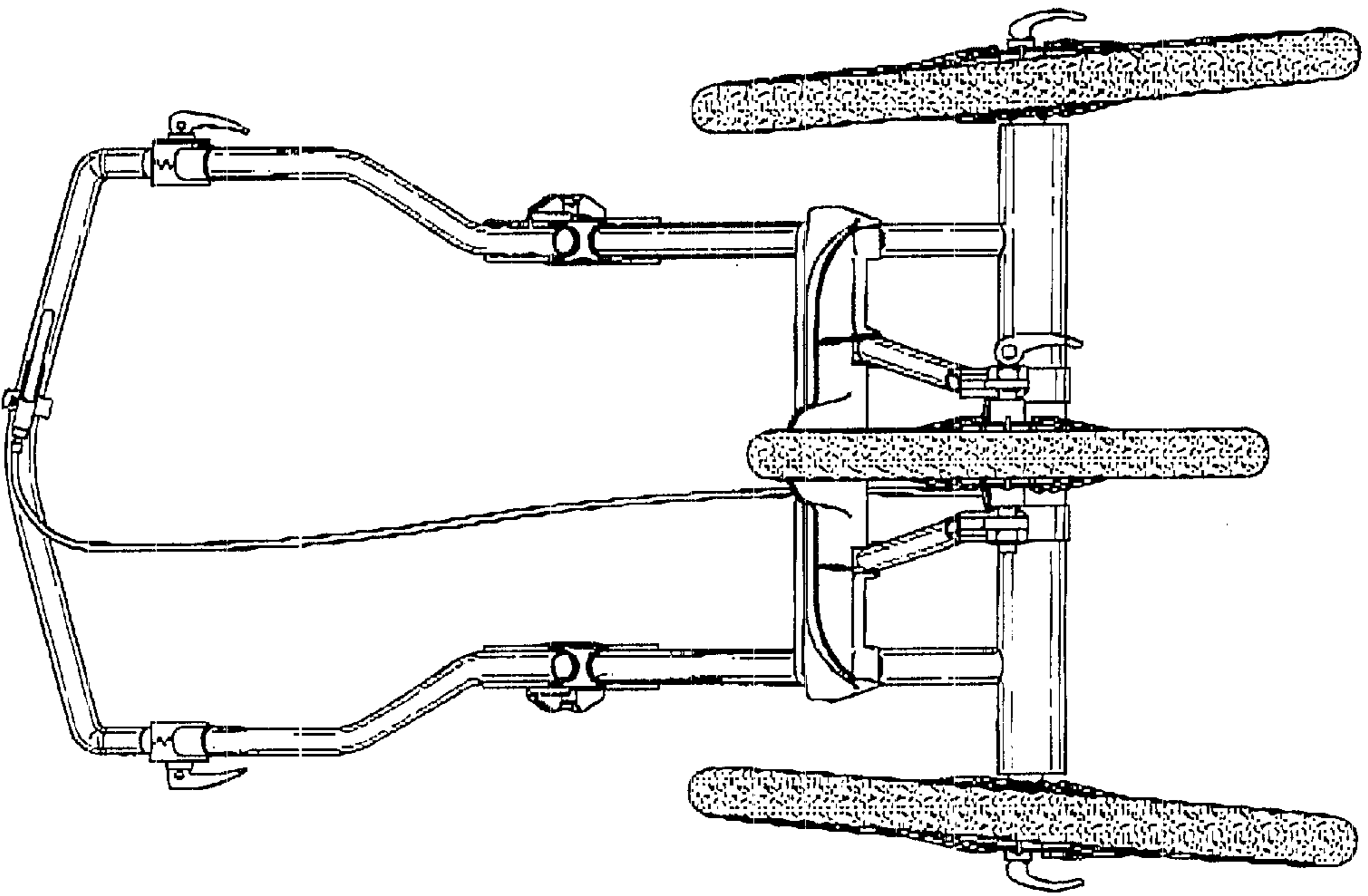
*Fig. 3*



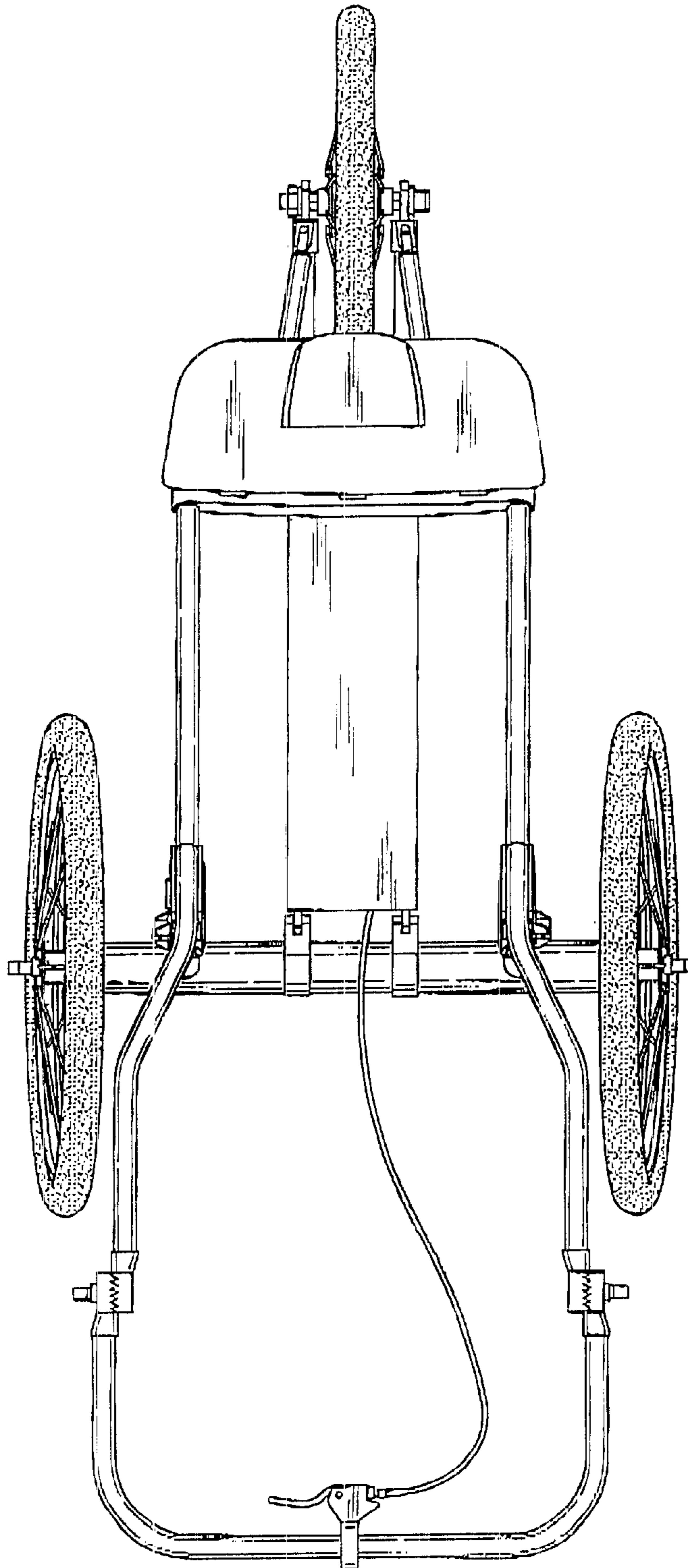
*Fig. 5*



*Fig. 4*



*Fig. 6*



*Fig. 7*

