



US00D463750S

(12) **United States Design Patent**  
**Tomimatsu**

(10) **Patent No.:** **US D463,750 S**

(45) **Date of Patent:** **\*\* Oct. 1, 2002**

(54) **PORTION OF A WATCH CASE**

D435,461 S \* 12/2000 So ..... D10/31

(75) Inventor: **Daisuke Tomimatsu**, Tachikawa (JP)

\* cited by examiner

(73) Assignee: **Casio Keisanki Kabushiki Kaisha**,  
Tokyo (JP)

*Primary Examiner*—Martie K. Holtje  
(74) *Attorney, Agent, or Firm*—Frishauf, Holtz, Goodman,  
Langer & Chick, P.C.

(\*\*) Term: **14 Years**

(57) **CLAIM**

(21) Appl. No.: **29/139,410**

The ornamental design for a portion of a watch case, as shown and described.

(22) Filed: **Mar. 29, 2001**

(51) **LOC (7) Cl.** ..... **10-02**

(52) **U.S. Cl.** ..... **D10/128; D10/38; D10/30**

(58) **Field of Search** ..... D21/329; D10/1,  
D10/2, 3-15, 16-18, 19-40, 122-132; 368/10,  
28-30, 41-44, 82-84, 159, 239-242, 276,  
277, 280-282, 285, 316, 317

**DESCRIPTION**

(56) **References Cited**

**U.S. PATENT DOCUMENTS**

- 3,672,155 A \* 6/1972 Bergey et al. .... 368/159
- D361,280 S \* 8/1995 Hanagata ..... D10/31
- D404,316 S \* 1/1999 Azegami et al. .... D10/30
- D408,866 S \* 4/1999 Fai ..... D21/329
- D417,159 S \* 11/1999 Sugisawa ..... D10/30
- D424,532 S \* 5/2000 Chida ..... D10/30 X

FIG. 1 is a front elevational view of a portion of a watch case, showing my new design;  
FIG. 2 is a right side elevational view thereof;  
FIG. 3 is a left side elevational view thereof;  
FIG. 4 is a top plan view thereof;  
FIG. 5 is a bottom plan view thereof;  
FIG. 6 is a rear elevational view thereof; and,  
FIG. 7 is a front, bottom and right side perspective view thereof.

The structure depicted by means of broken lines in the figures has been shown for illustrative purposes only and forms no part of the claimed design.

**1 Claim, 3 Drawing Sheets**

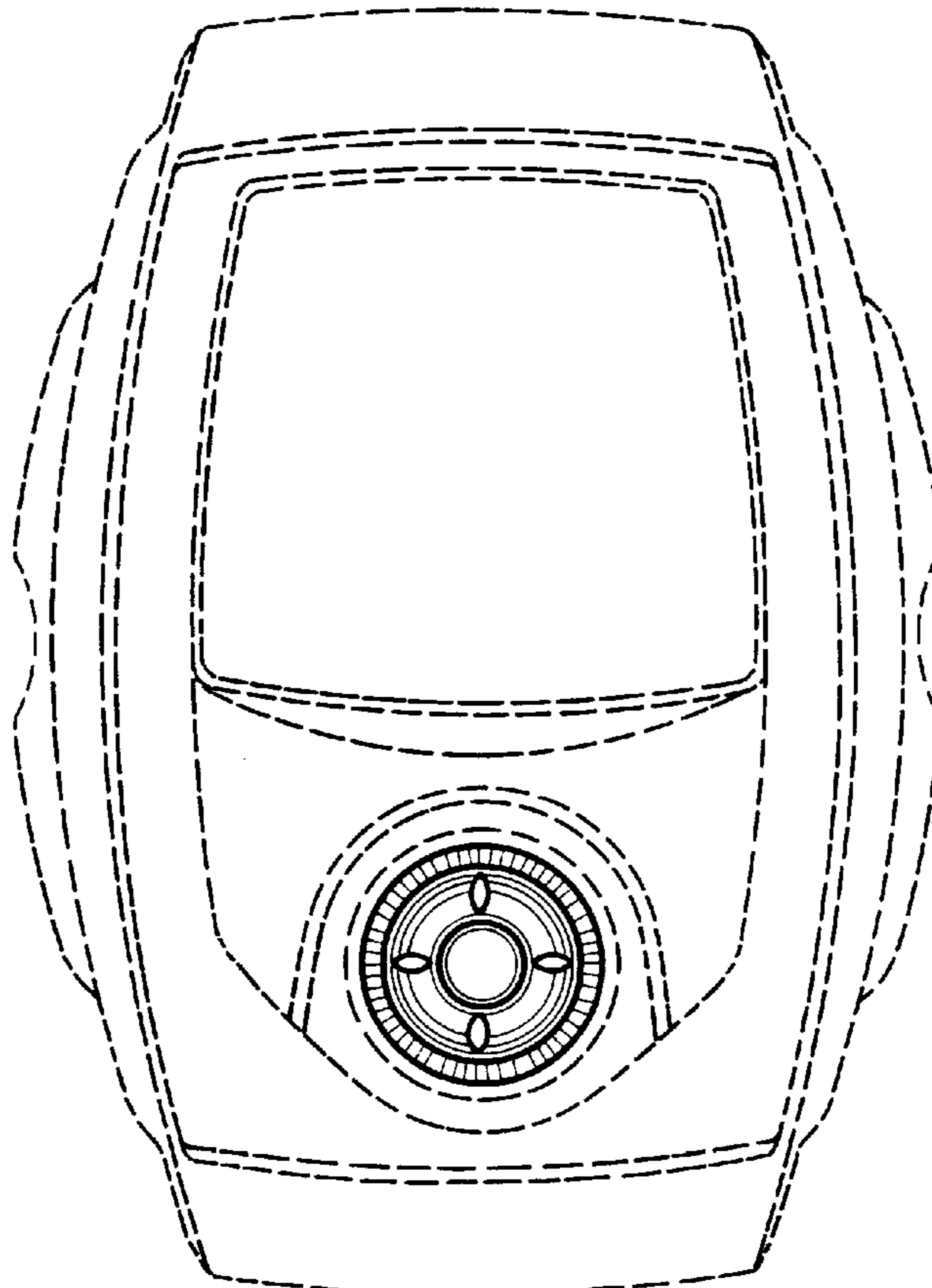


FIG. 1

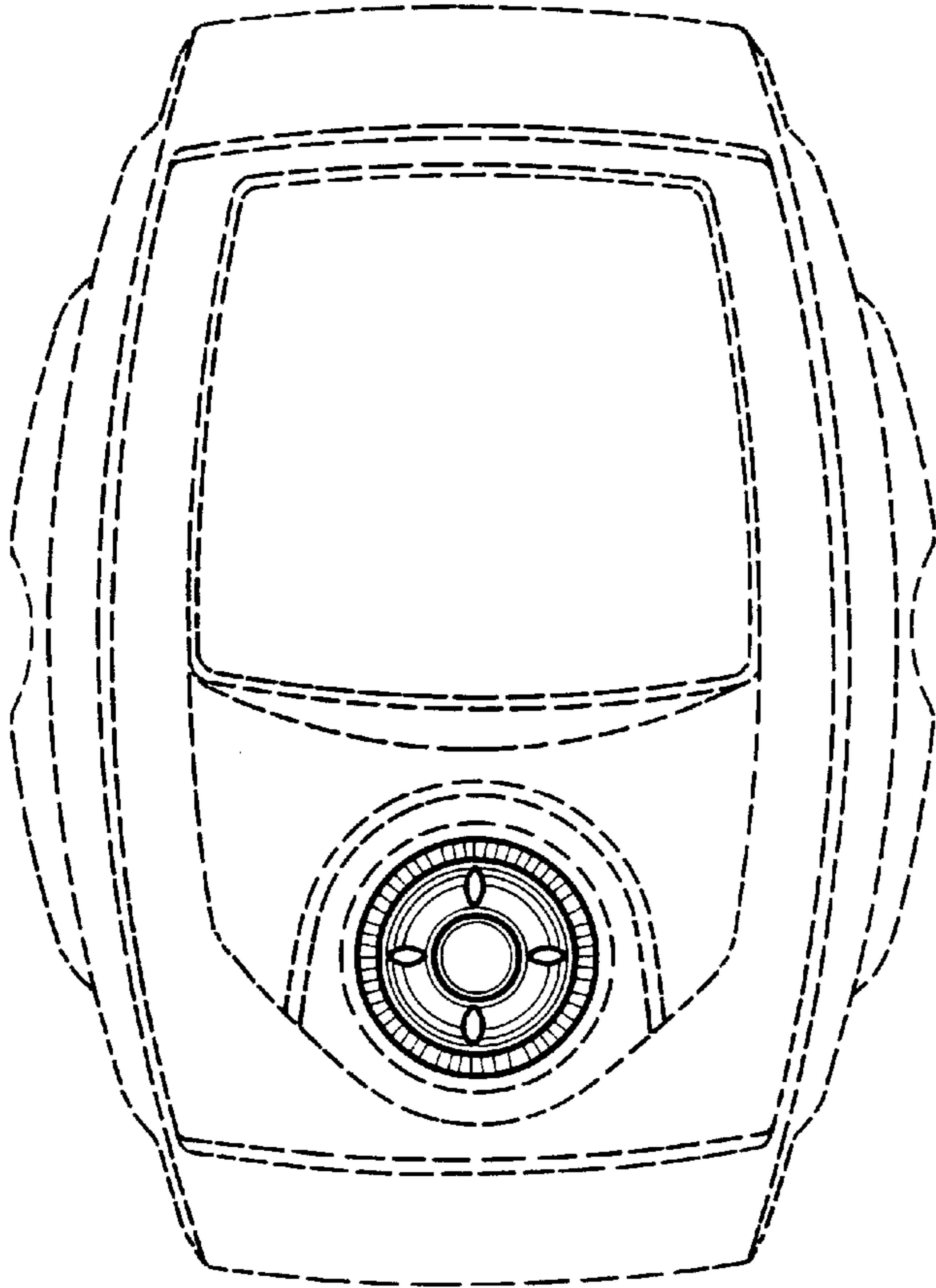


FIG. 2

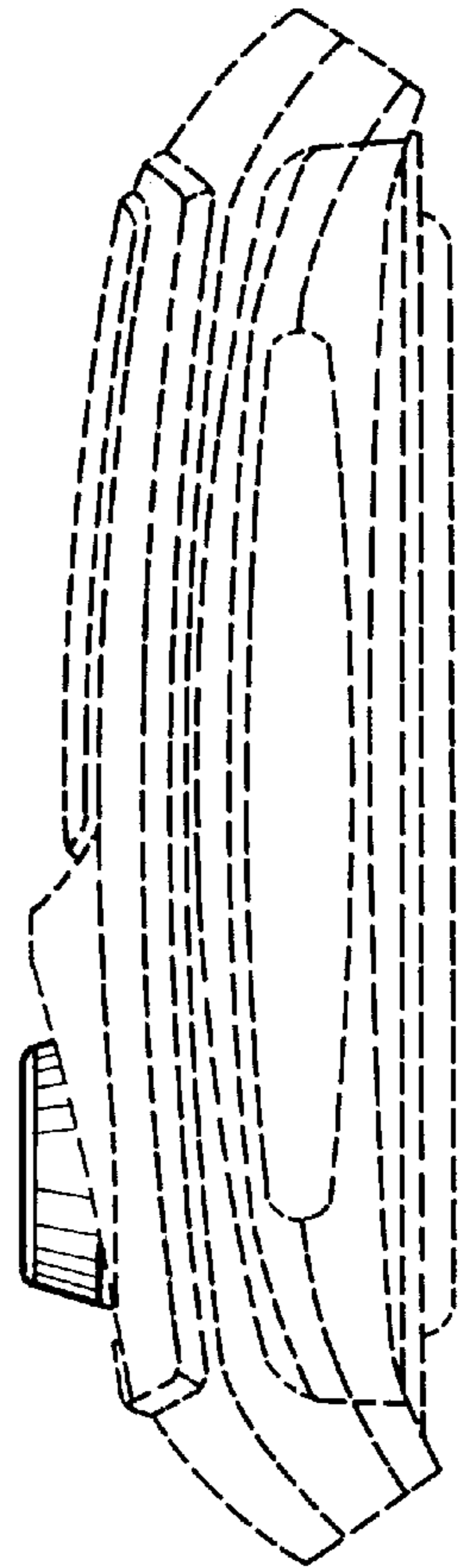


FIG. 5

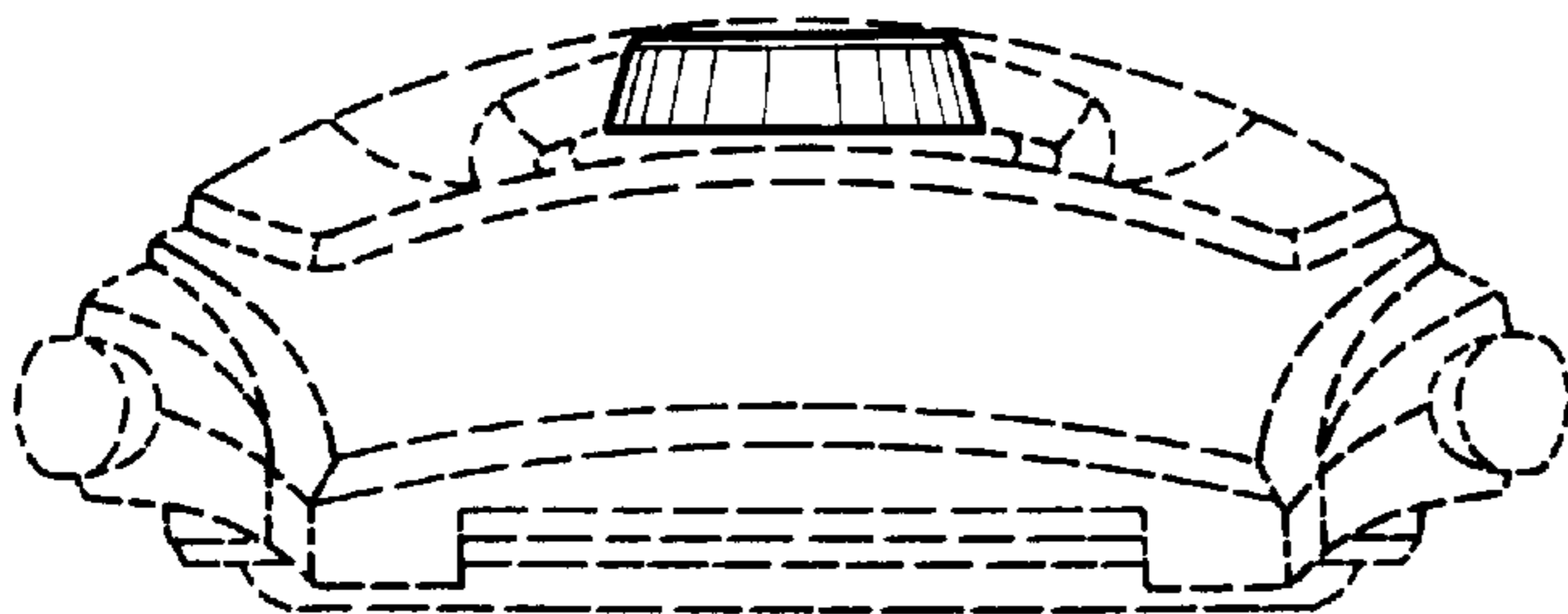


FIG. 4

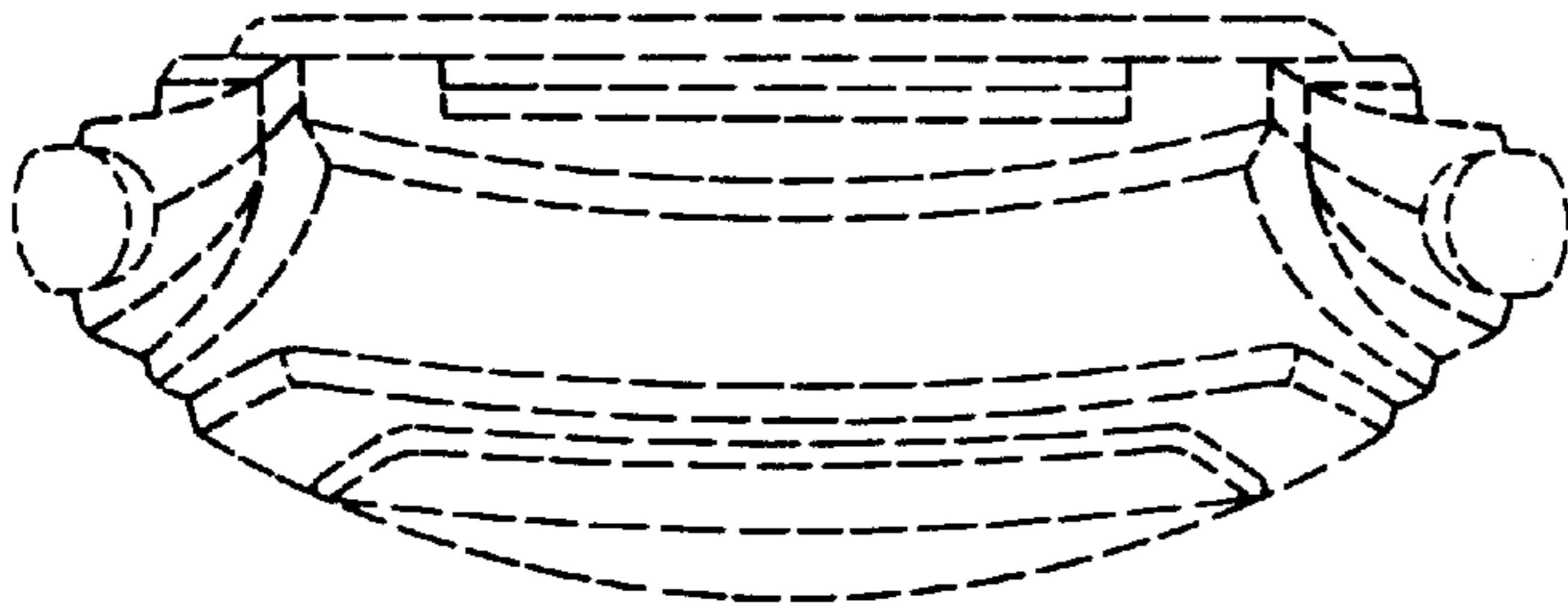


FIG. 6

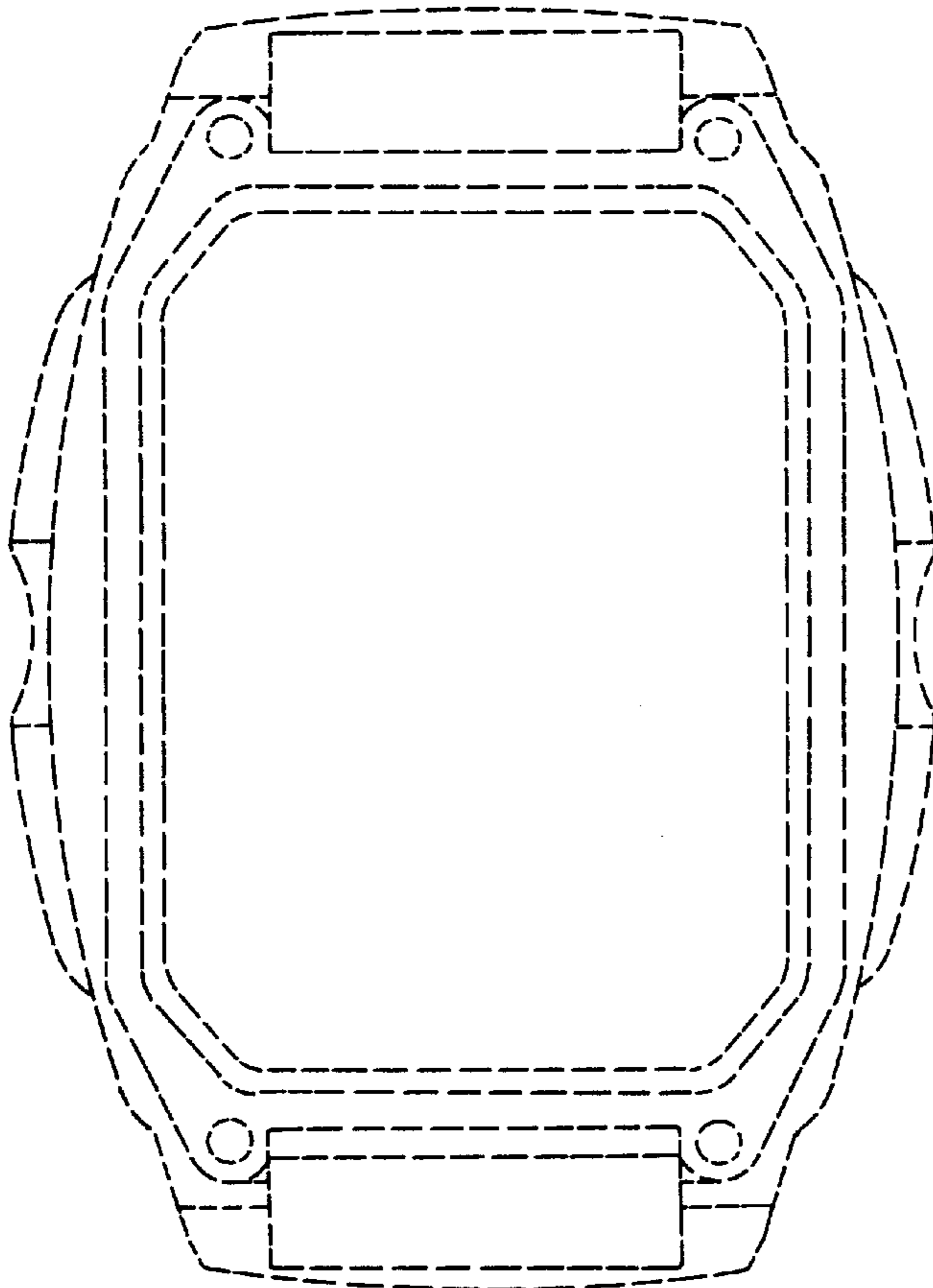


FIG. 3

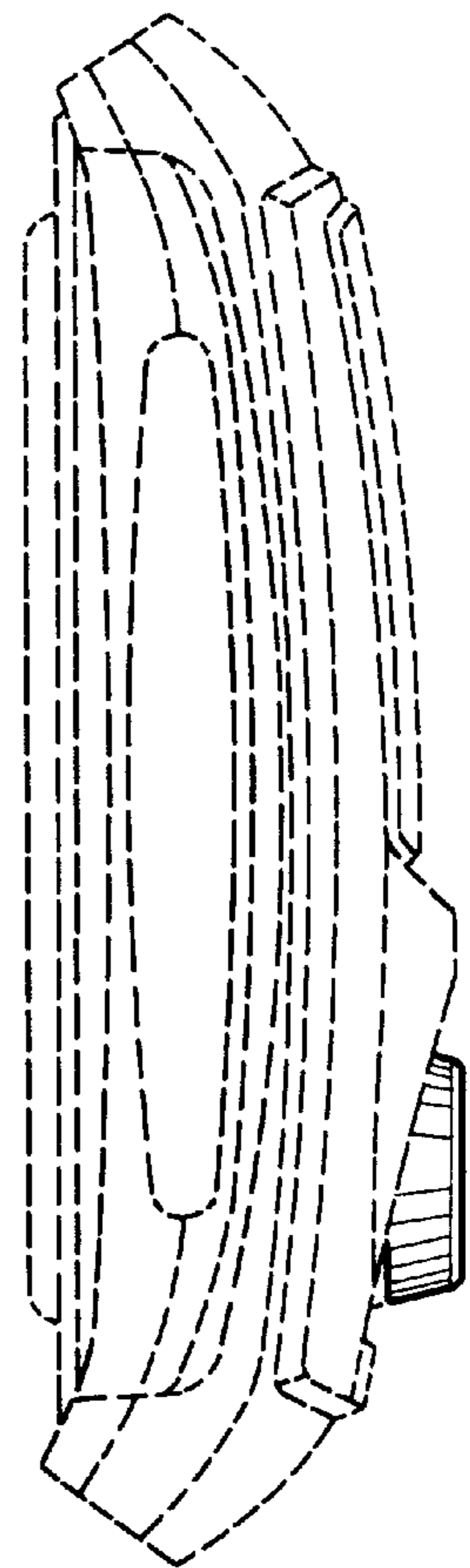


FIG. 7

