



US00D463748S

(12) **United States Design Patent**  
**Lepeu et al.**

(10) **Patent No.:** **US D463,748 S**

(45) **Date of Patent:** **\*\* Oct. 1, 2002**

(54) **WATCH**

(75) **Inventors:** **Richard Lepeu, Paris (FR); Jacques Diltoer, Villeneuve-la-Garenne (FR)**

(73) **Assignee:** **Cartier International, B.V., Amsterdam (NL)**

(\*\*) **Term:** **14 Years**

(21) **Appl. No.:** **29/151,147**

(22) **Filed:** **Nov. 15, 2001**

**Related U.S. Application Data**

(62) Division of application No. 29/137,284, filed on Feb. 20, 2001, now Pat. No. Des. 453,689.

(30) **Foreign Application Priority Data**

Aug. 25, 2000 (XH) ..... DM/052 959

(51) **LOC (7) Cl.** ..... **10-02**

(52) **U.S. Cl.** ..... **D10/30**

(58) **Field of Search** ..... D10/30-39, 122-132; 368/281-282, 276-277, 285

(56) **References Cited**

**U.S. PATENT DOCUMENTS**

D421,725 S 3/2000 Iwanaga

D422,514 S \* 4/2000 Diltoer et al. .... D10/39  
D434,673 S \* 12/2000 Hirata ..... D10/30  
D453,689 S \* 2/2002 Lepeu et al. .... D10/32  
D455,357 S \* 4/2002 Ikegami et al. .... D10/32

**FOREIGN PATENT DOCUMENTS**

WO 1029 479 \* 2/1994

\* cited by examiner

*Primary Examiner*—Nelson C. Holtje

(74) *Attorney, Agent, or Firm*—Darby & Darby

(57) **CLAIM**

The ornamental design for a watch, as shown and described.

**DESCRIPTION**

FIG. 1 is a perspective view of a watch showing our new design;

FIG. 2 is a top plan view thereof;

FIG. 3 is a bottom plan view thereof;

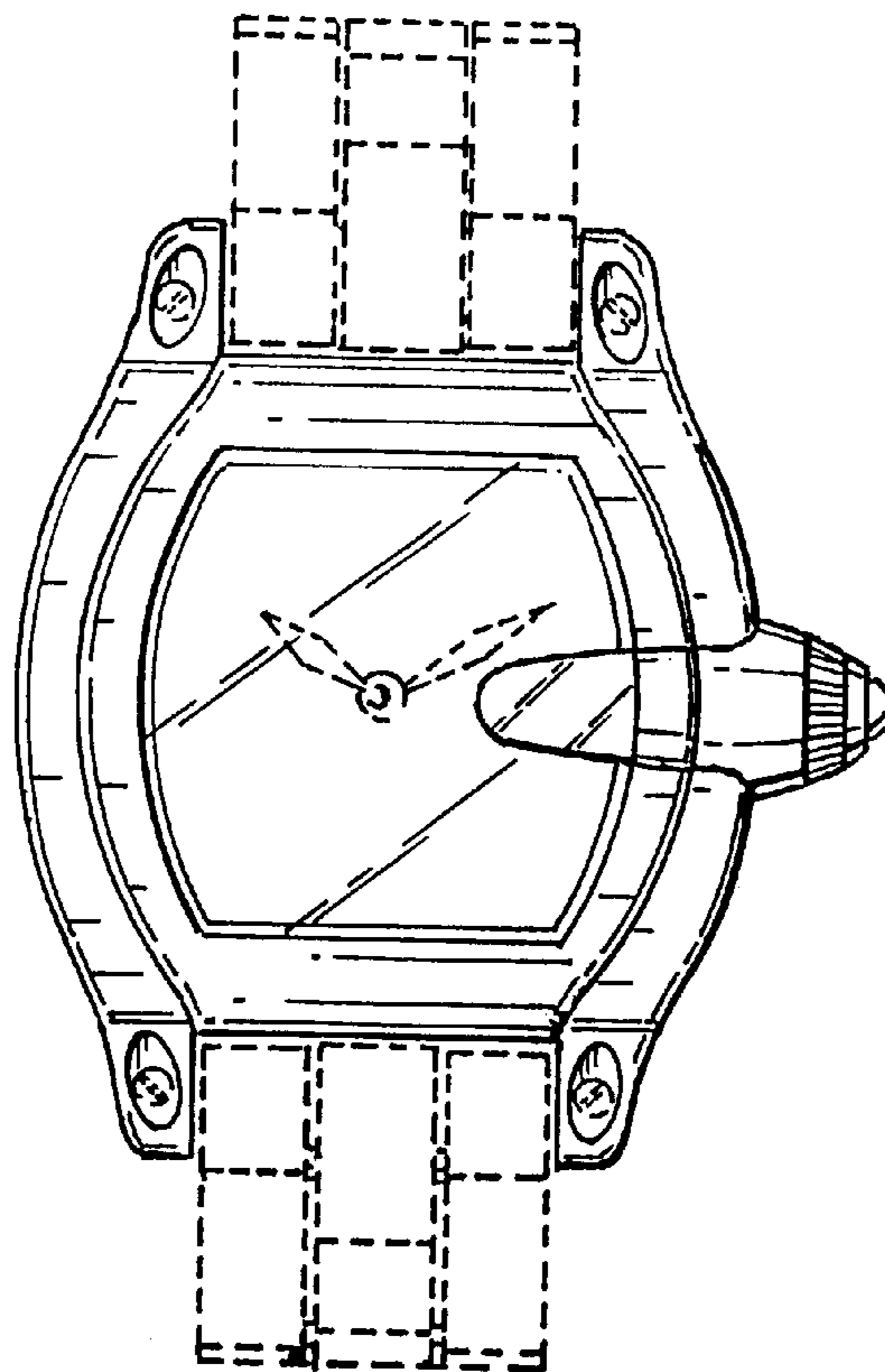
FIG. 4 is a left side view thereof;

FIG. 5 is a right side view thereof; and,

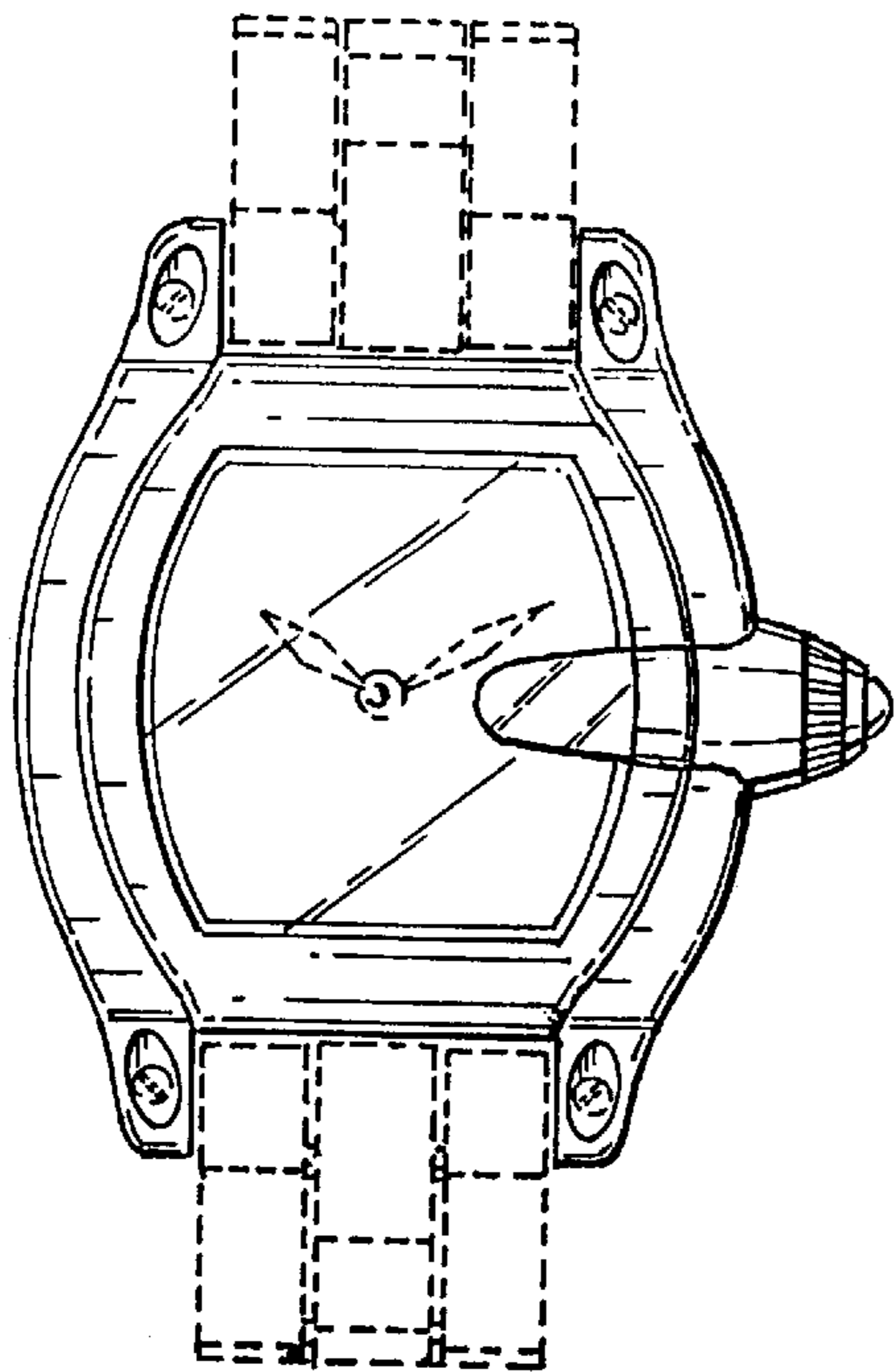
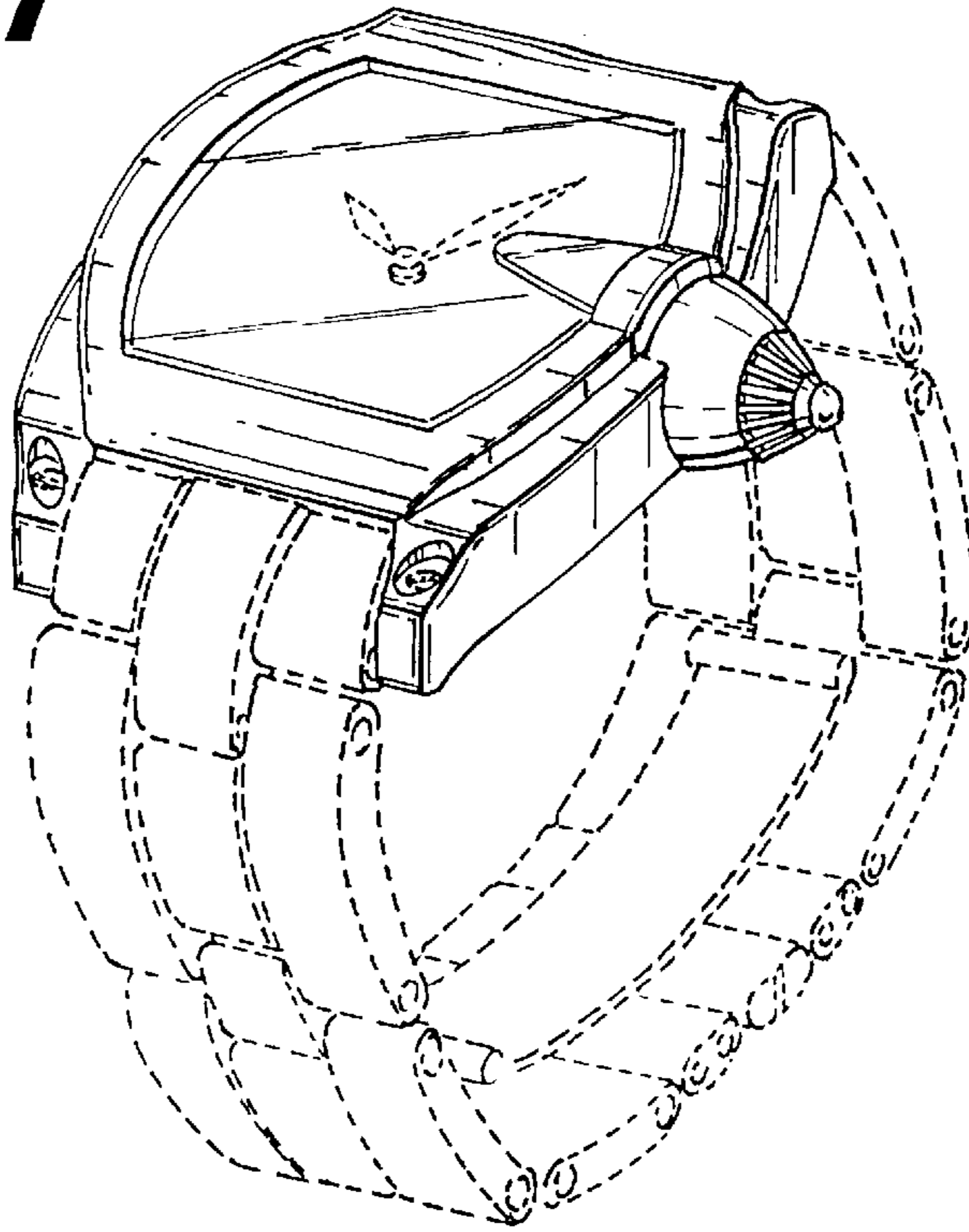
FIG. 6 is a front elevational view thereof.

The broken line showing of screws, hands and band portions is for illustrative purposes only and forms no part of the claimed design.

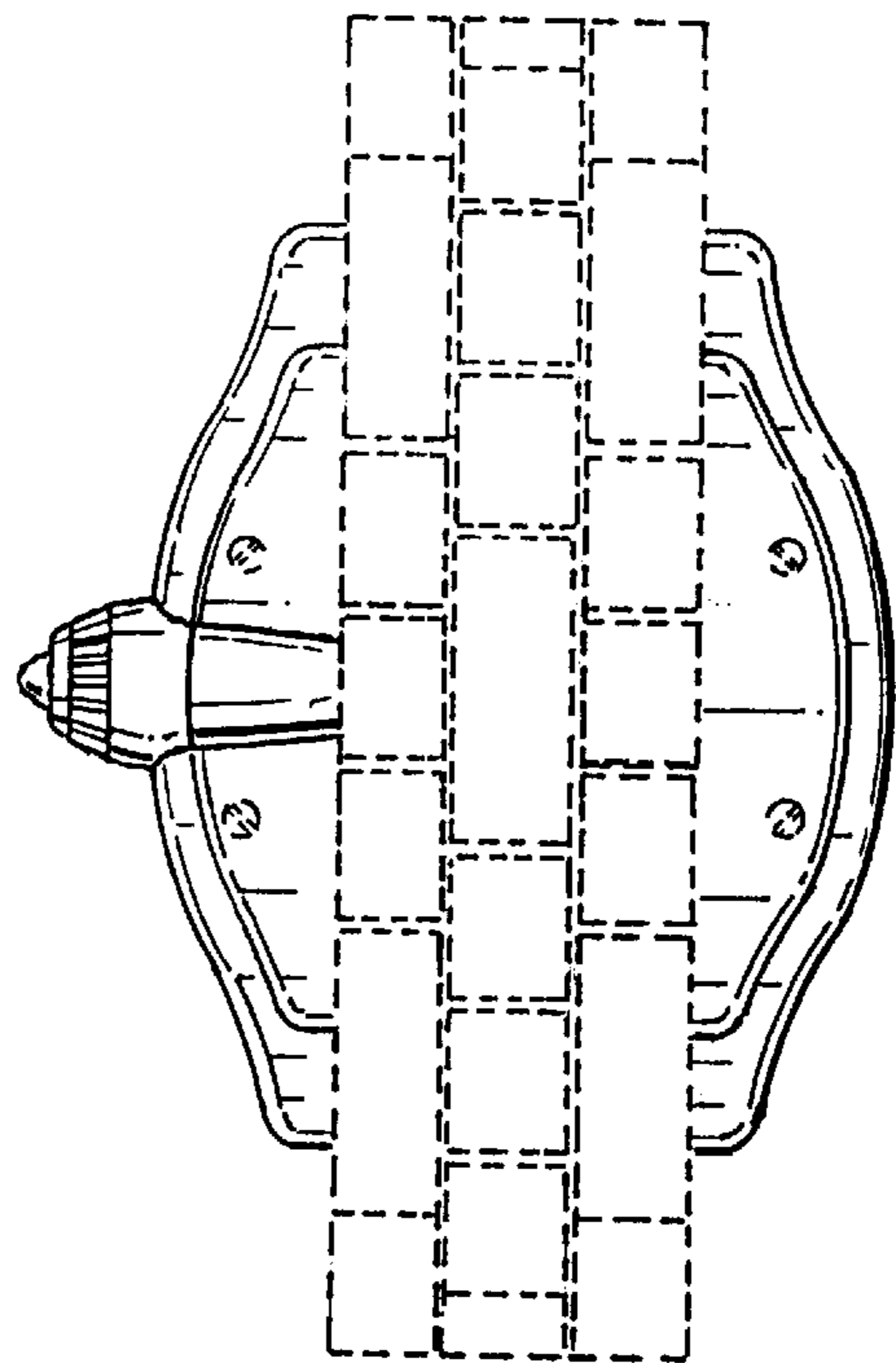
**1 Claim, 2 Drawing Sheets**



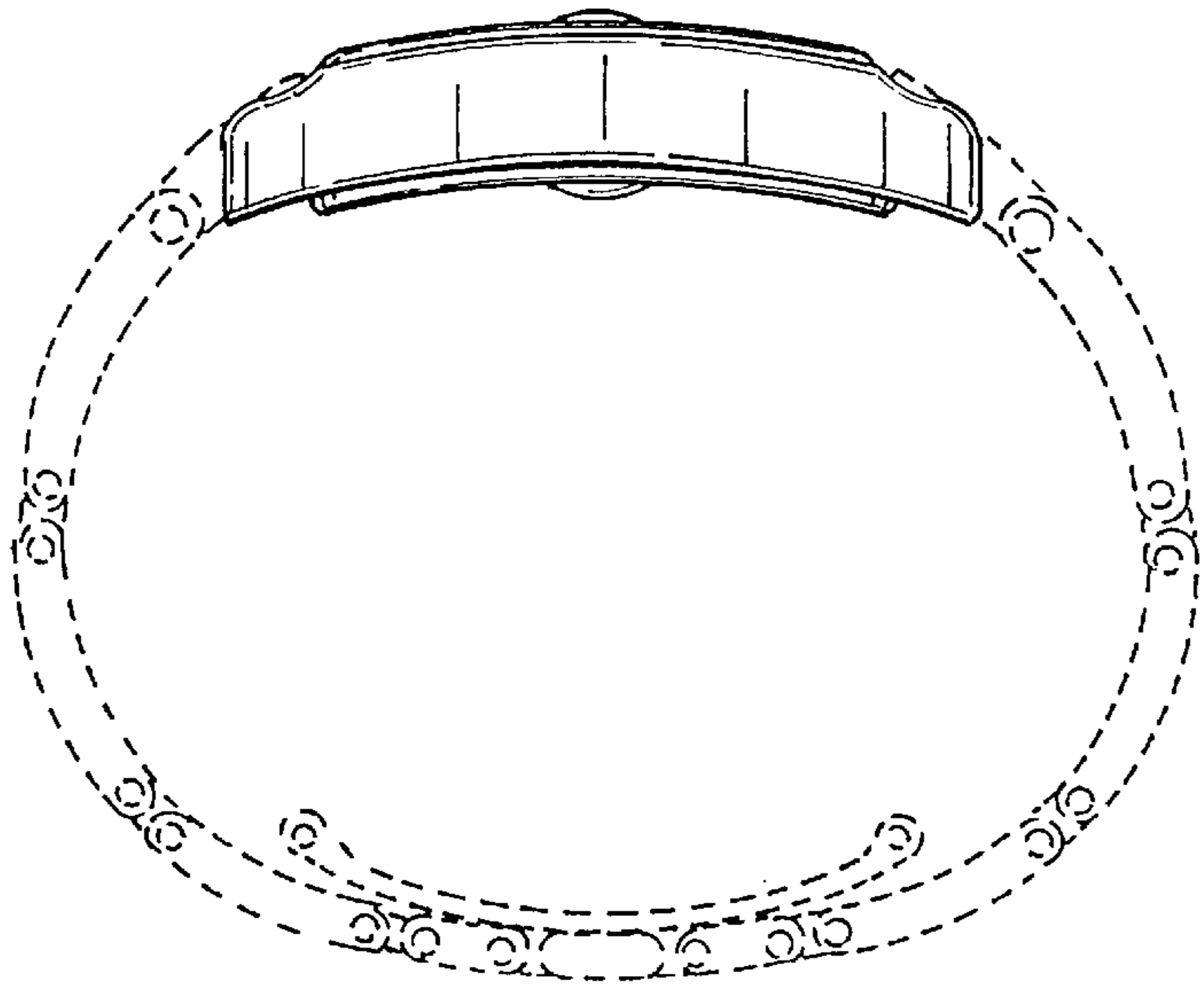
**Fig. 1**



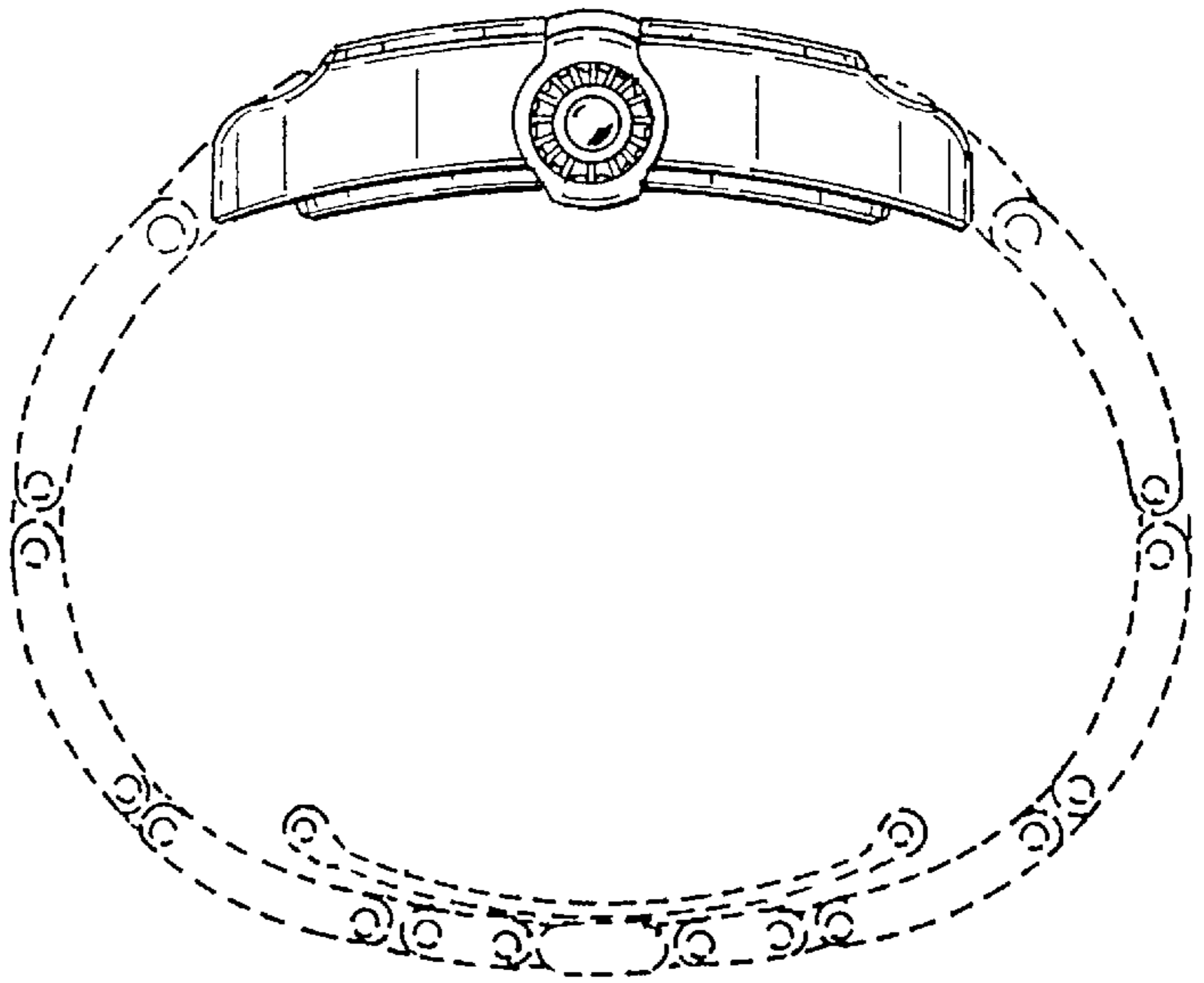
**Fig. 2**



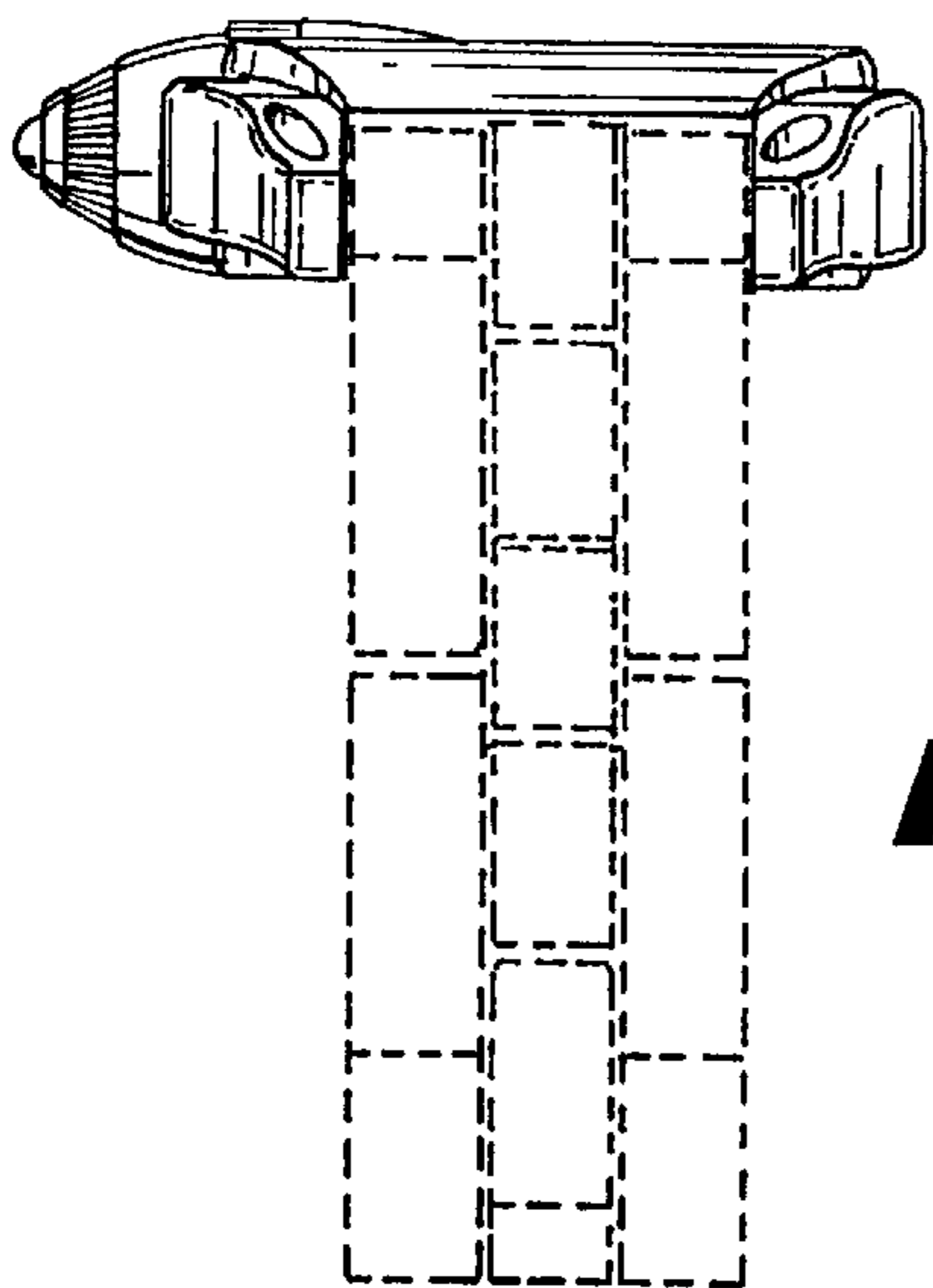
**Fig. 3**



**Fig. 4**



**Fig. 5**



**Fig. 6**