



US00D463743S

(12) **United States Design Patent**
de Mourgues

(10) **Patent No.:** **US D463,743 S**

(45) **Date of Patent:** **** Oct. 1, 2002**

(54) **SPRAYER FITTED WITH ITS CAP**

(75) Inventor: **Alain de Mourgues**, Paris (FR)

(73) Assignee: **Albion Cosmetics Co. Ltd.**, Tokyo (JP)

(**) Term: **14 Years**

(21) Appl. No.: **29/139,614**

(22) Filed: **Apr. 4, 2001**

(30) **Foreign Application Priority Data**

Oct. 4, 2000 (FR) 00 5712

(51) **LOC (7) Cl.** **09-04**

(52) **U.S. Cl.** **D9/448**

(58) **Field of Search** D9/300, 435, 448;
222/153.13, 153.14, 251, 282, 320, 382,
383.1-385, 321.7

(56) **References Cited**

U.S. PATENT DOCUMENTS

- D193,037 S * 6/1962 Harnage D9/448
- D234,341 S * 2/1975 Schick D9/448
- D236,684 S * 9/1975 Hebblethwaite D9/300
- D254,899 S * 5/1980 Tada D9/448
- 5,083,683 A * 1/1992 Knickerbocker 222/321.7

D332,223 S * 1/1993 Albertson D9/448

D352,900 S * 11/1994 Nhan D9/448

D415,426 S * 10/1999 Herrmann D9/448

D441,654 S * 5/2001 Sayers D9/448

* cited by examiner

Primary Examiner—Dominic Simone

(74) *Attorney, Agent, or Firm*—Young & Thompson

(57) **CLAIM**

The ornamental design for a sprayer fitted with its cap, as shown and described.

DESCRIPTION

FIG. 1 is a top and side perspective view of a sprayer fitted with its cap, showing my new design;

FIG. 2 is a front elevational view thereof;

FIG. 3 is a side elevational view thereof, the side opposite that shown in FIG. 3 being identical thereto;

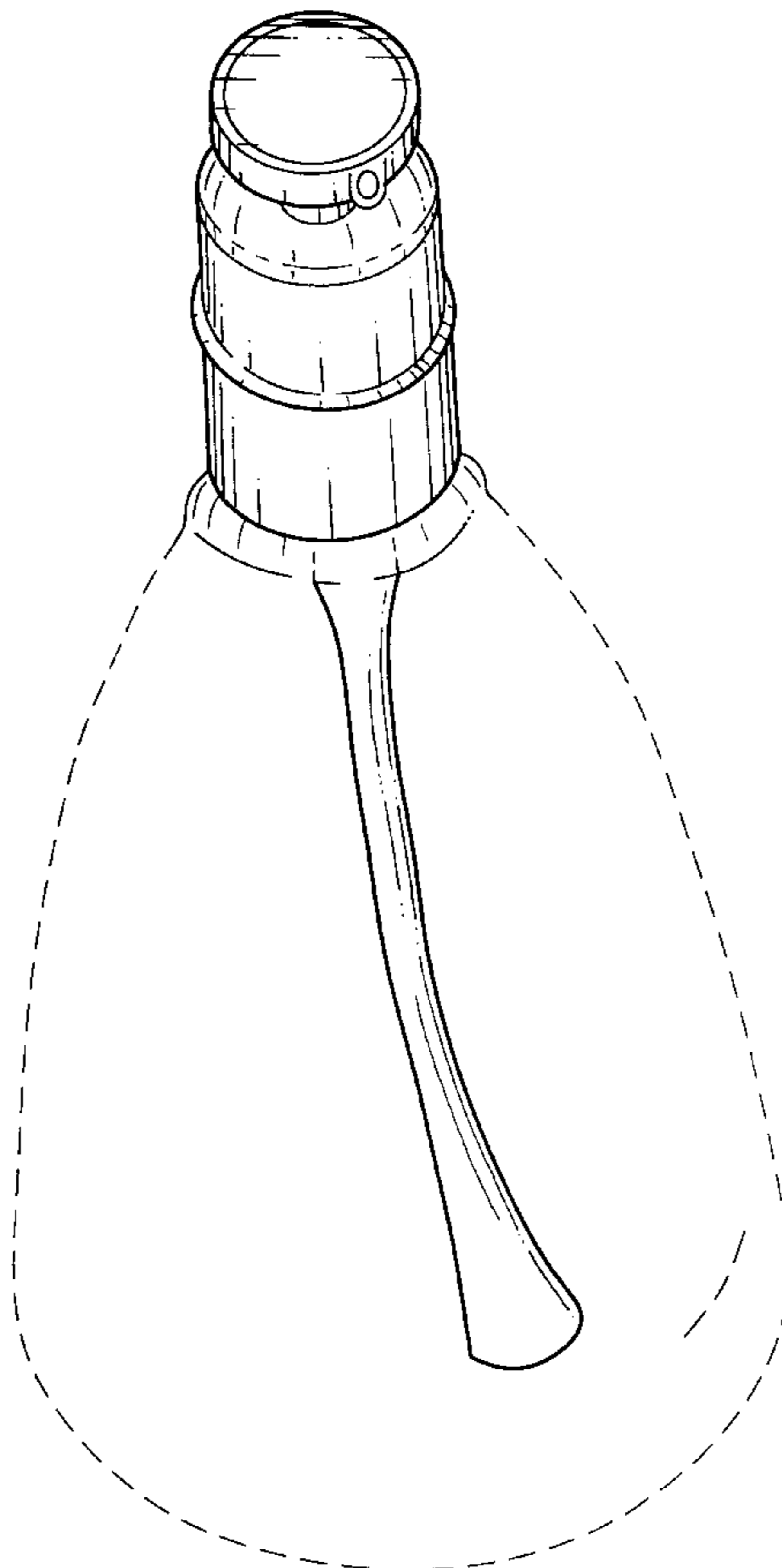
FIG. 4 is a rear elevational view thereof;

FIG. 5 is a top plan view thereof; and,

FIG. 6 is a bottom plan view thereof.

The broken line representation of a bottle is not claimed and is given merely to show the environment in which the present invention is used.

1 Claim, 6 Drawing Sheets



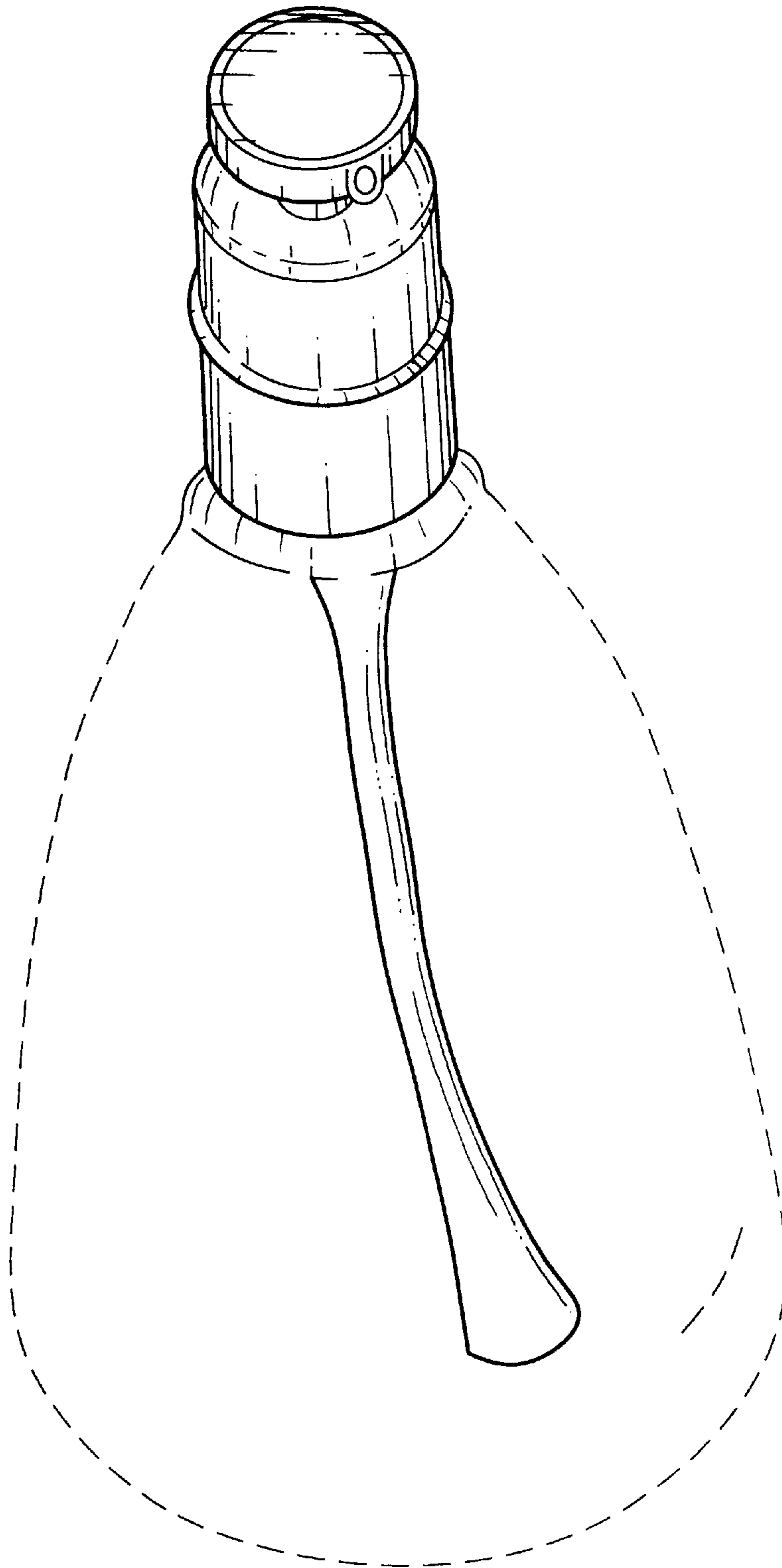


FIG. 1

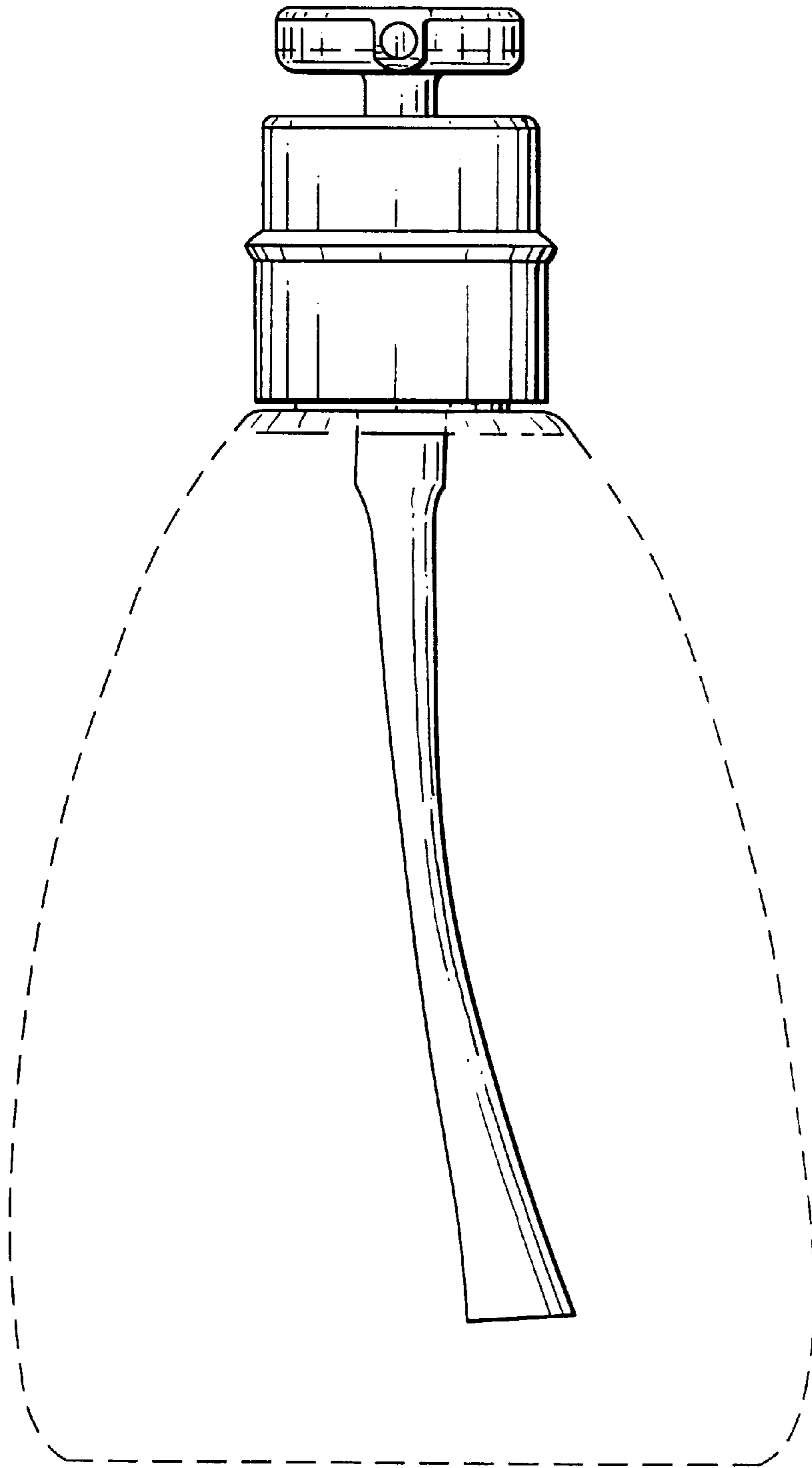


FIG. 2

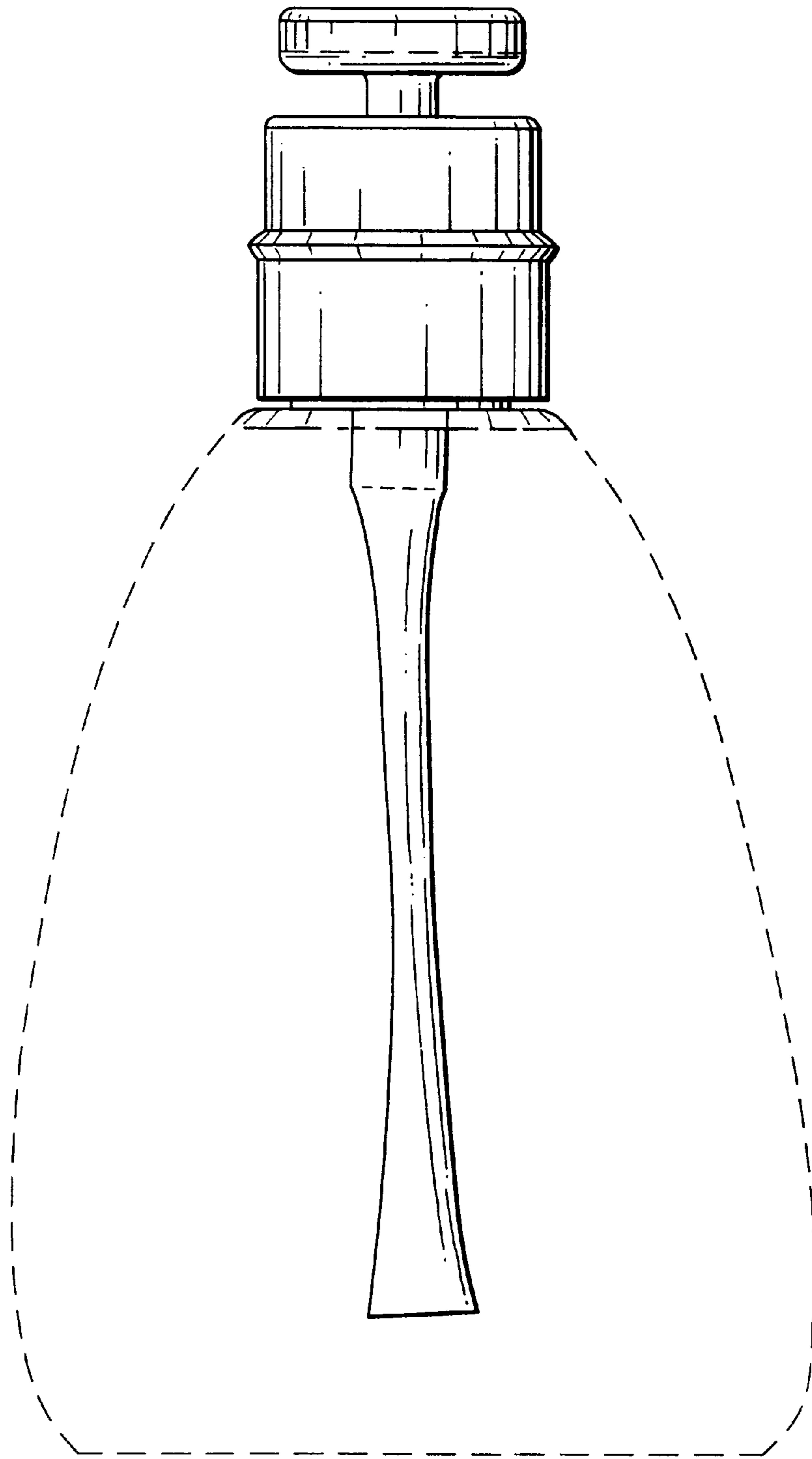


FIG. 3

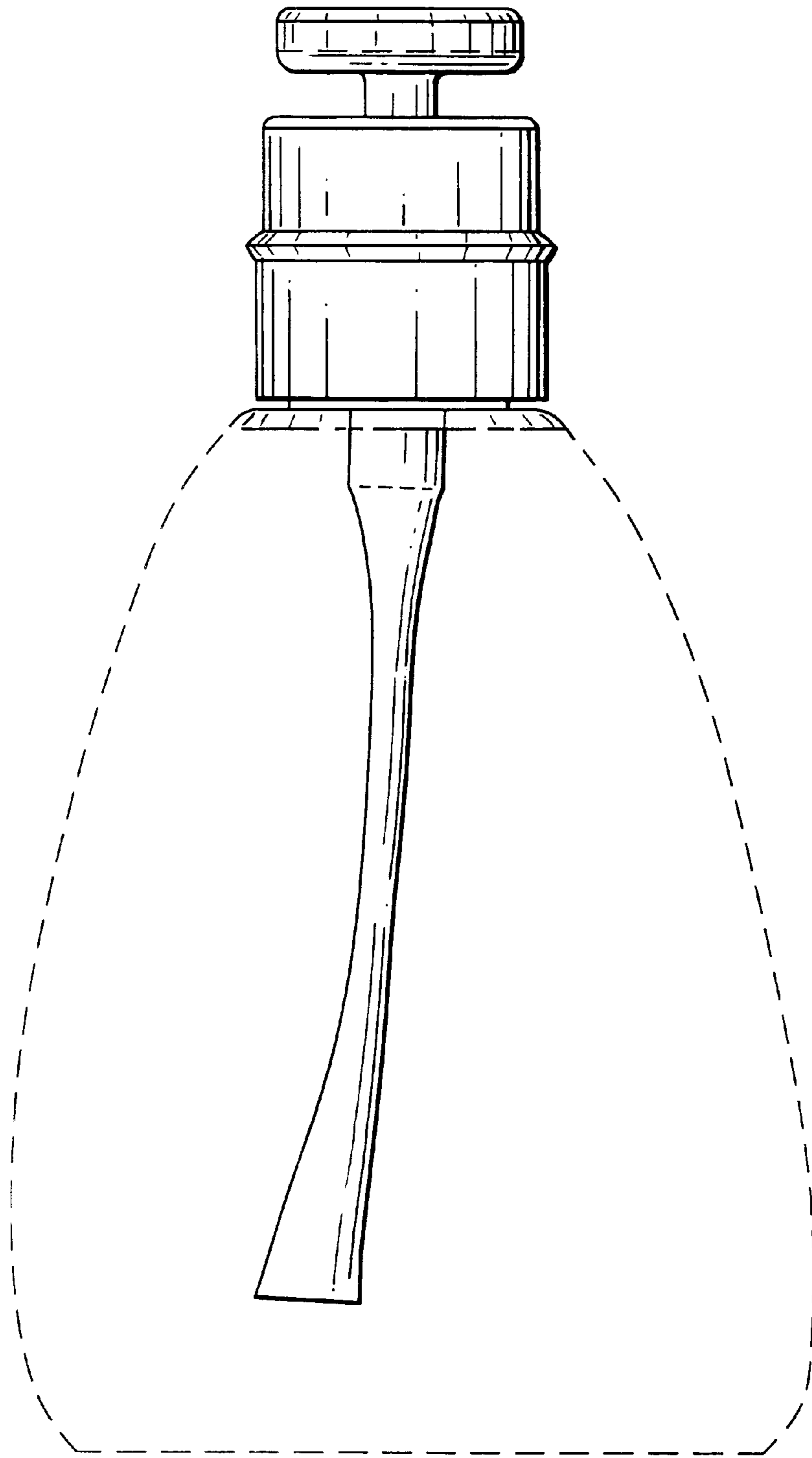


FIG. 4

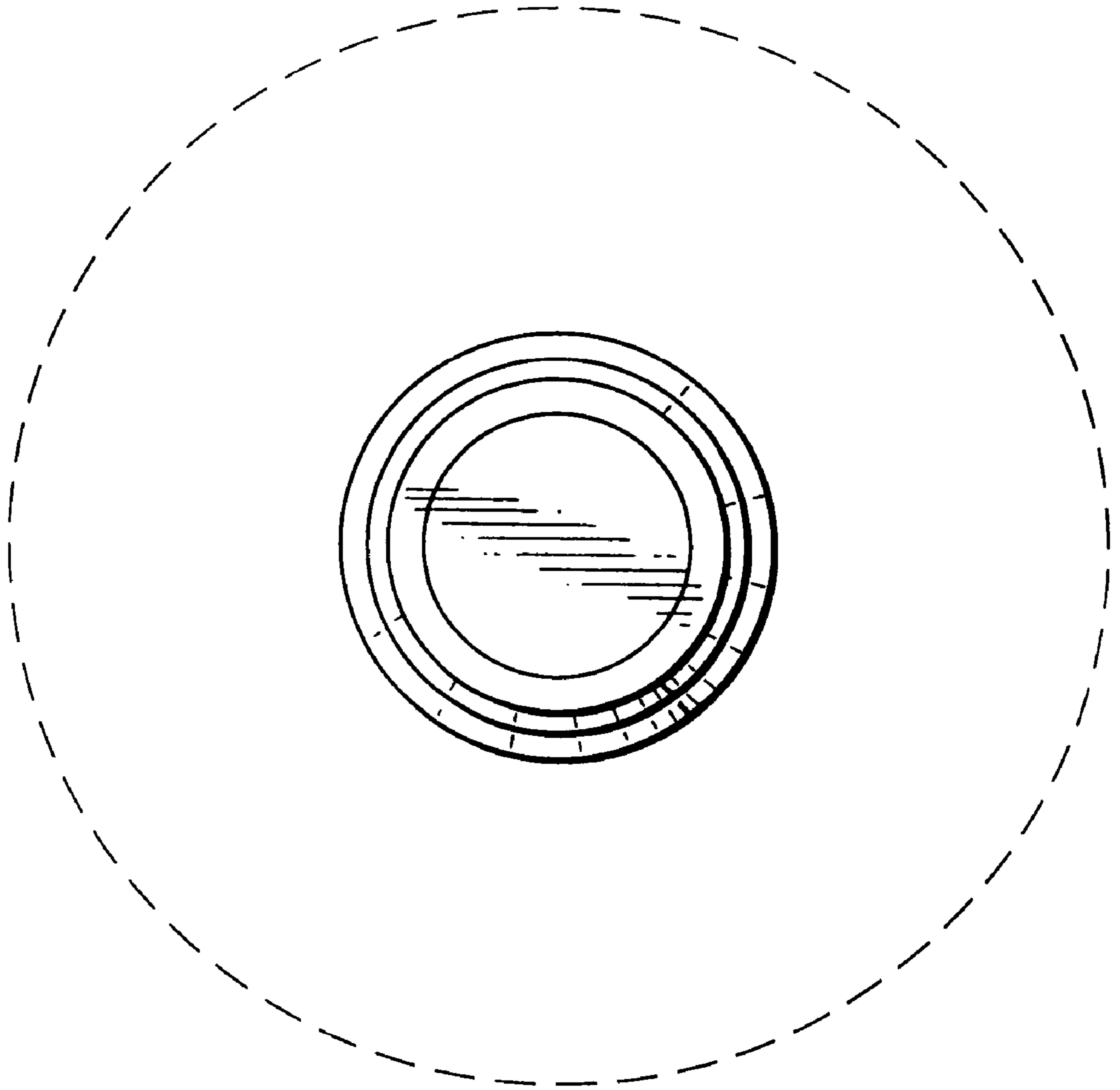


FIG. 5

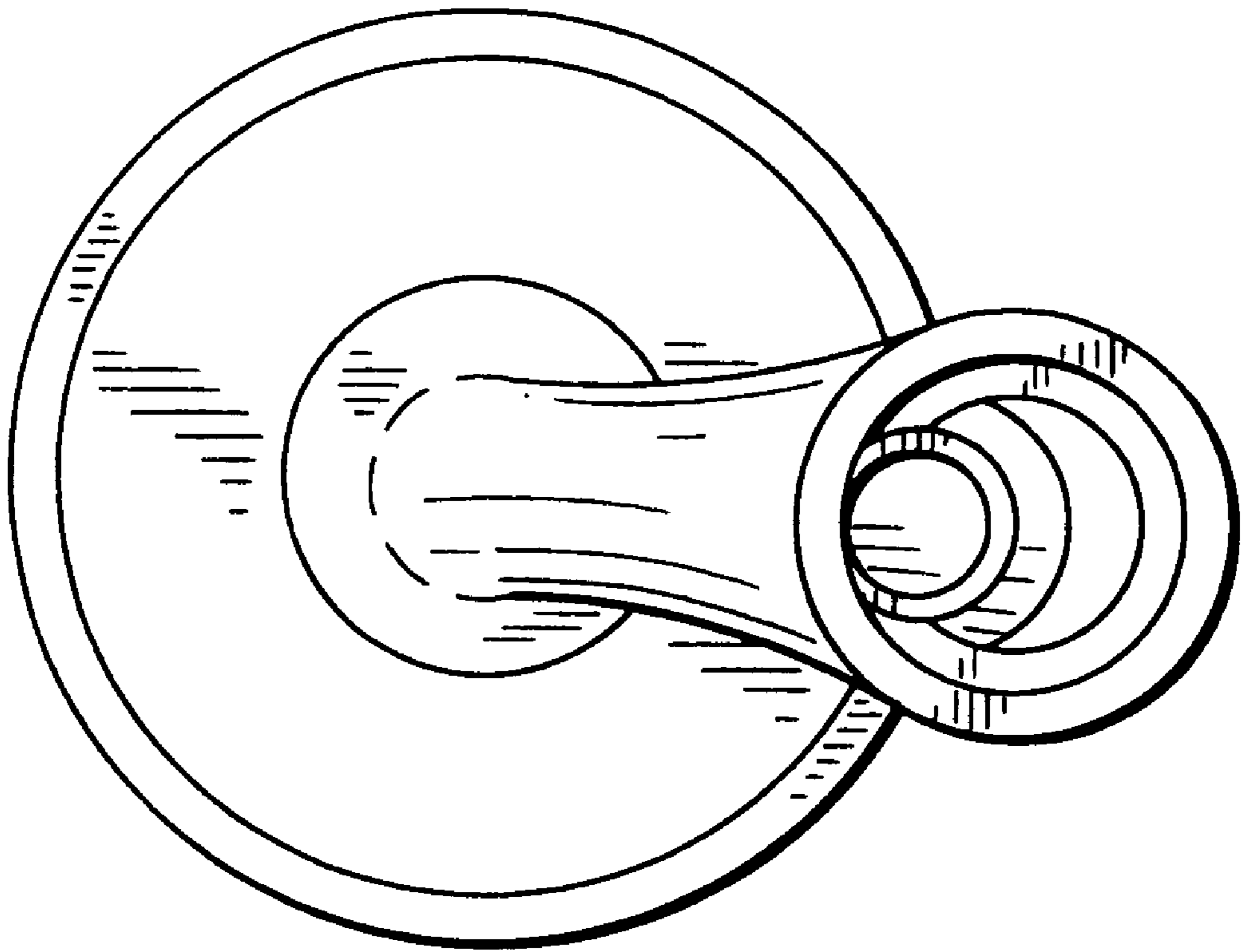


FIG. 6