



US00D463742S

(12) **United States Design Patent**
Saucier et al.

(10) **Patent No.:** **US D463,742 S**

(45) **Date of Patent:** **** Oct. 1, 2002**

(54) **BOX CLOSURE DEVICE**

4,331,258 A 5/1982 Geschwind
4,556,167 A 12/1985 Fox et al.
4,579,246 A 4/1986 Swearingen et al.
D424,439 S 5/2000 Daniels

(76) Inventors: **Lila M. Saucier**, 1052 Luther Carter Rd., Petal, MS (US) 39465-9449;
Michael L. Saucier, 1052 Luther Carter Rd., Petal, MS (US) 39465-9449

* cited by examiner

(**) Term: **14 Years**

Primary Examiner—Dominic Simone
(74) *Attorney, Agent, or Firm*—Donald R. Schoonover

(21) Appl. No.: **29/145,546**

(57) **CLAIM**

(22) Filed: **Jul. 26, 2001**

The ornamental design for a box closure device, as shown and described.

(51) **LOC (7) Cl.** **09-07**

(52) **U.S. Cl.** **D9/435**

(58) **Field of Search** D9/432, 435; 229/124, 229/125.05

DESCRIPTION

(56) **References Cited**

U.S. PATENT DOCUMENTS

D82,247 S * 10/1930 Campbell D9/435
D104,019 S * 4/1937 Connor D9/435
2,586,931 A 2/1952 Gammon
D203,361 S * 12/1965 Becker D9/435
3,537,610 A 11/1970 Bilon

FIG. 1 is a side perspective view of the box closure device embodying the design of the present invention.

FIG. 2 is a front elevational view thereof;

FIG. 3 is an end elevational view thereof;

FIG. 4 is a top plan view thereof; and,

FIG. 5 is a bottom plan view thereof.

The broken line showing of environment is for illustrative purposes only and forms no part of the claimed design.

1 Claim, 2 Drawing Sheets

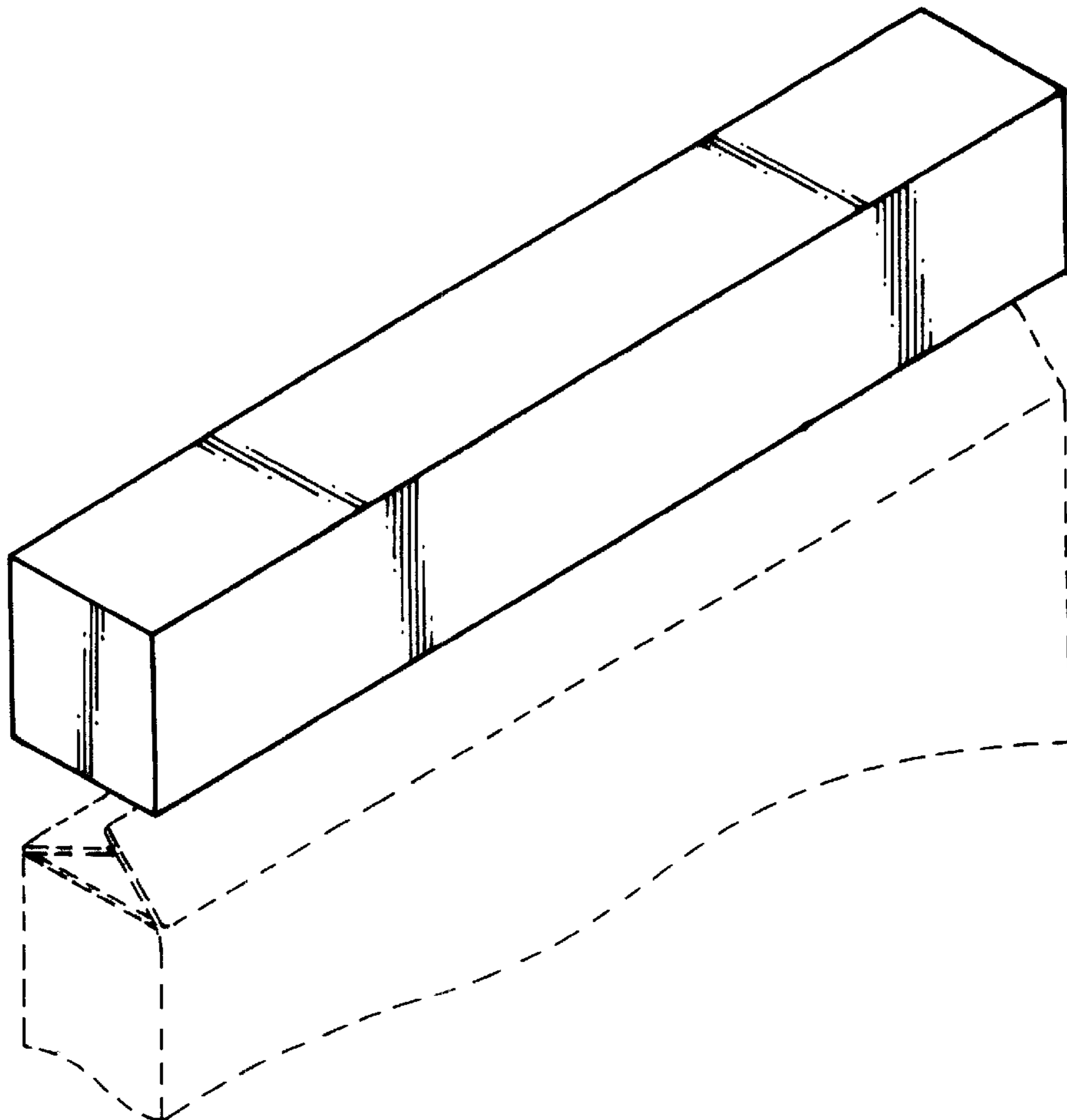


FIG. 1.

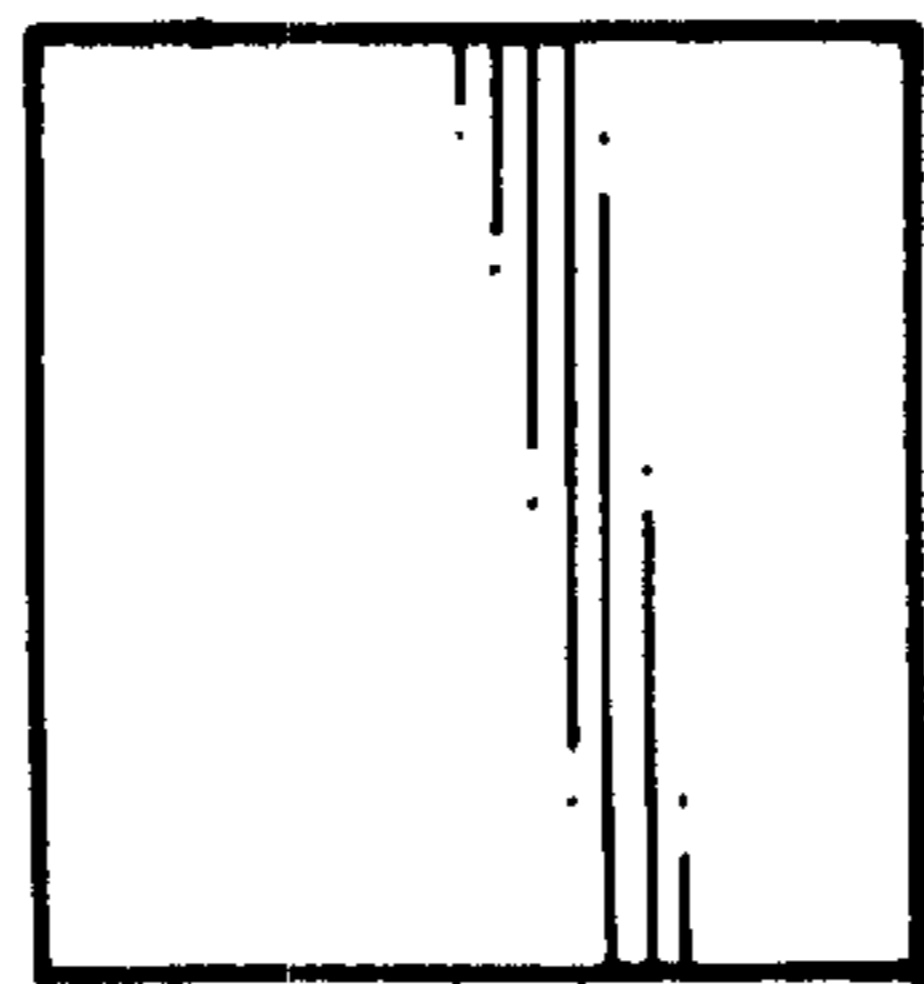
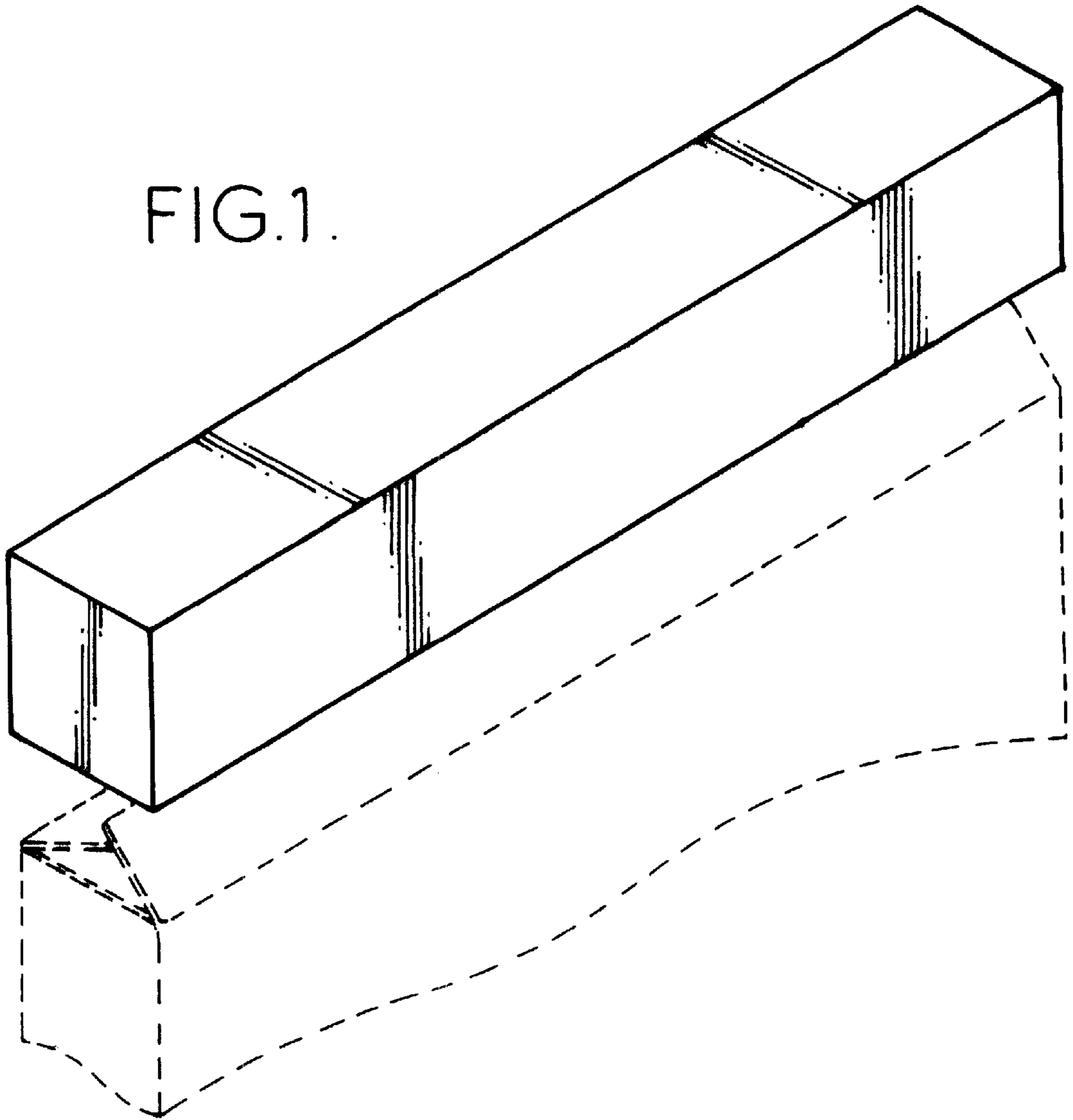


FIG. 3.

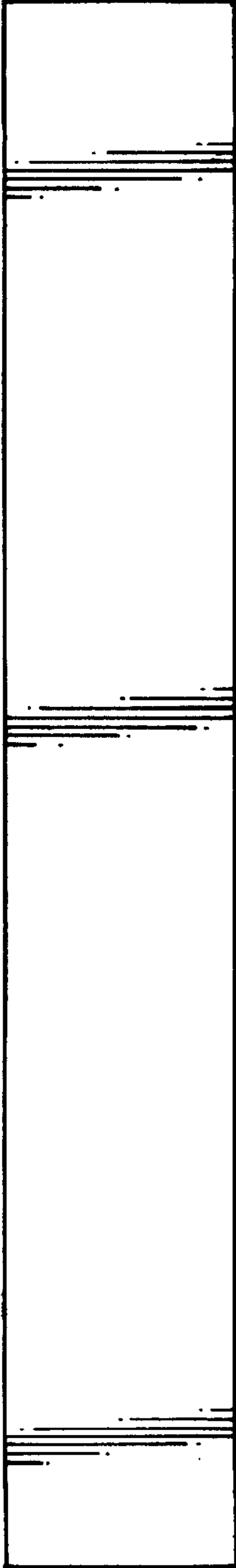


FIG. 2.

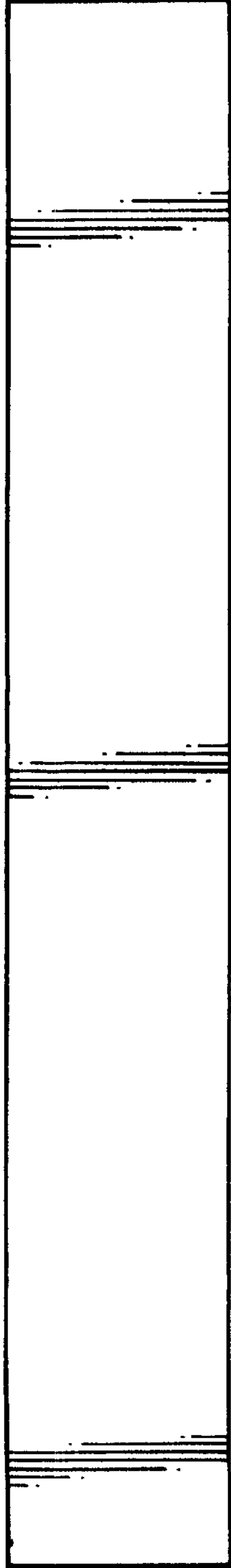


FIG. 4.

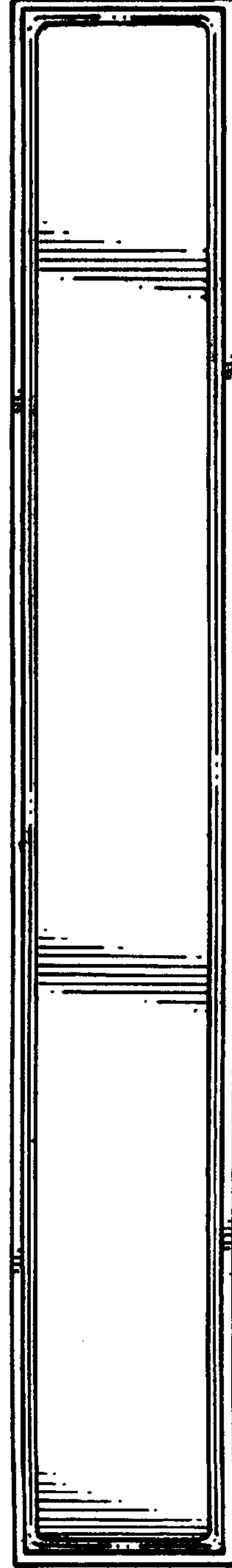


FIG. 5.