



US00D463741S

(12) **United States Design Patent**  
**Green**

(10) **Patent No.:** **US D463,741 S**

(45) **Date of Patent:** **\*\* Oct. 1, 2002**

(54) **PACKAGING ASSEMBLY**

(75) **Inventor:** **Jeffrie Green**, Beverly Hills, CA (US)

(73) **Assignee:** **Diversified Repackaging Corporation**,  
Los Angeles, CA (US)

(\*\*) **Term:** **14 Years**

(21) **Appl. No.:** **29/150,444**

(22) **Filed:** **Nov. 15, 2001**

(51) **LOC (7) Cl.** ..... **09-03**

(52) **U.S. Cl.** ..... **D9/415; D9/418**

(58) **Field of Search** ..... D9/415, 418, 414,  
D9/456, 337, 341; 206/461-471, 806, 495,  
769, 770, 775, 776, 372

(56) **References Cited**

**U.S. PATENT DOCUMENTS**

3,129,817	A	*	4/1964	Rohdin	.....	206/462
3,394,802	A	*	7/1968	Hershaft	.....	206/461
4,408,693	A	*	10/1983	Brewaey's et al.	.....	206/461
4,884,718	A	*	12/1989	Leahy	.....	206/471
5,292,003	A	*	3/1994	Baghdassarian	.....	206/471
D363,217	S	*	10/1995	Flynn	.....	D9/415

D376,313	S	*	12/1996	Napolitano	.....	D9/415
D378,570	S	*	3/1997	MacEachern	.....	D9/415
D378,894	S	*	4/1997	Mello	.....	D9/415
D380,962	S	*	7/1997	Trigger	.....	D9/415
D451,382	S	*	12/2001	Adkins	.....	D9/415

\* cited by examiner

*Primary Examiner*—Prabhakar Deshmukh

(74) *Attorney, Agent, or Firm*—Sheppard, Mullin, Richter & Hampton LLP; James R. Brueggemann, Esquire

(57) **CLAIM**

I claim the ornamental design for a packaging assembly, as shown.

**DESCRIPTION**

FIG. 1 is a front right isometric view of a packaging assembly embodying my new design.

FIG. 2 is a front elevational view thereof.

FIG. 3 is a rear elevational view thereof.

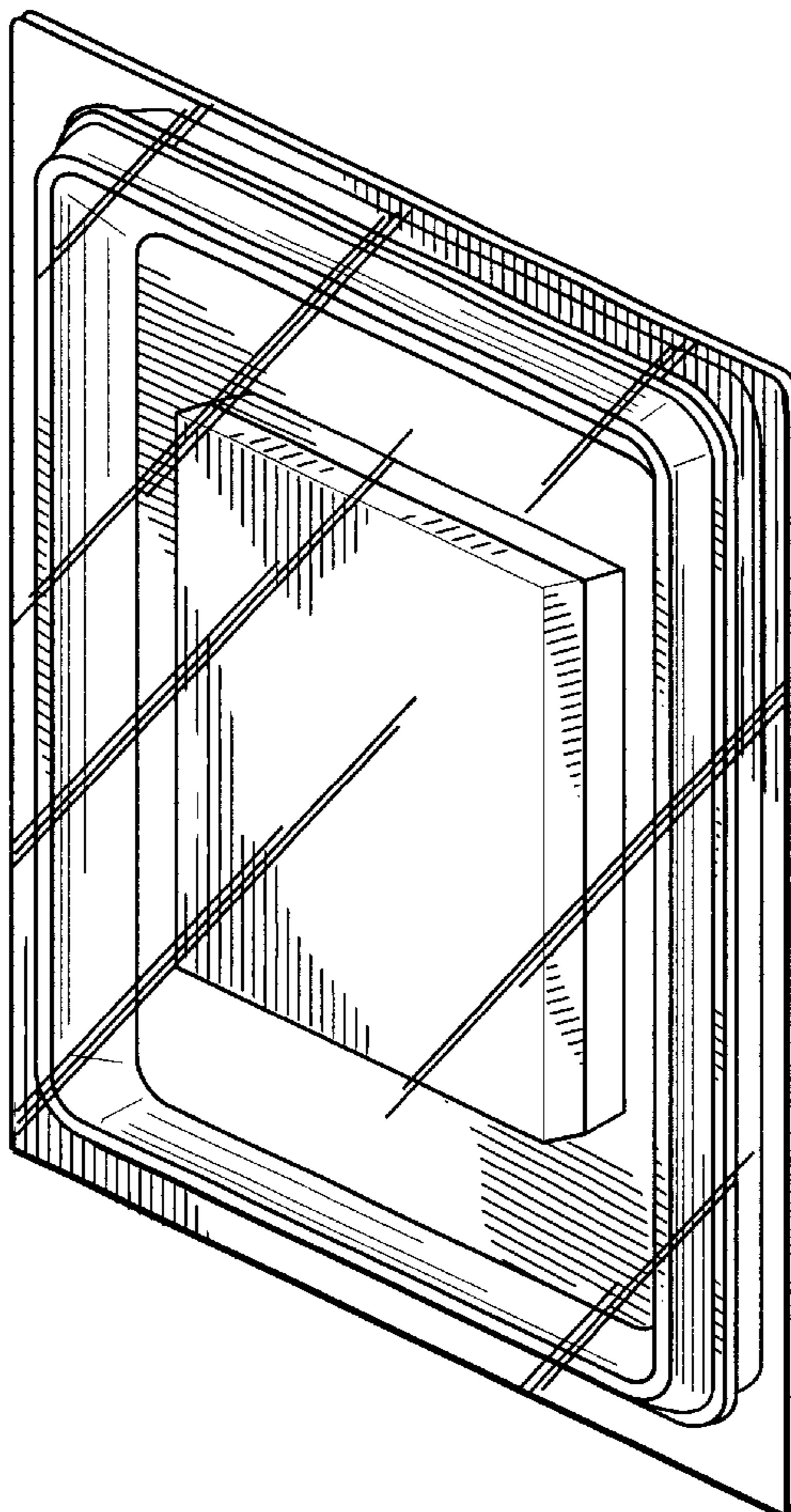
FIG. 4 is a right side elevational view thereof.

FIG. 5 is a left side elevational view thereof.

FIG. 6 is a bottom plan view thereof; and,

FIG. 7 is a top plan view thereof.

**1 Claim, 3 Drawing Sheets**



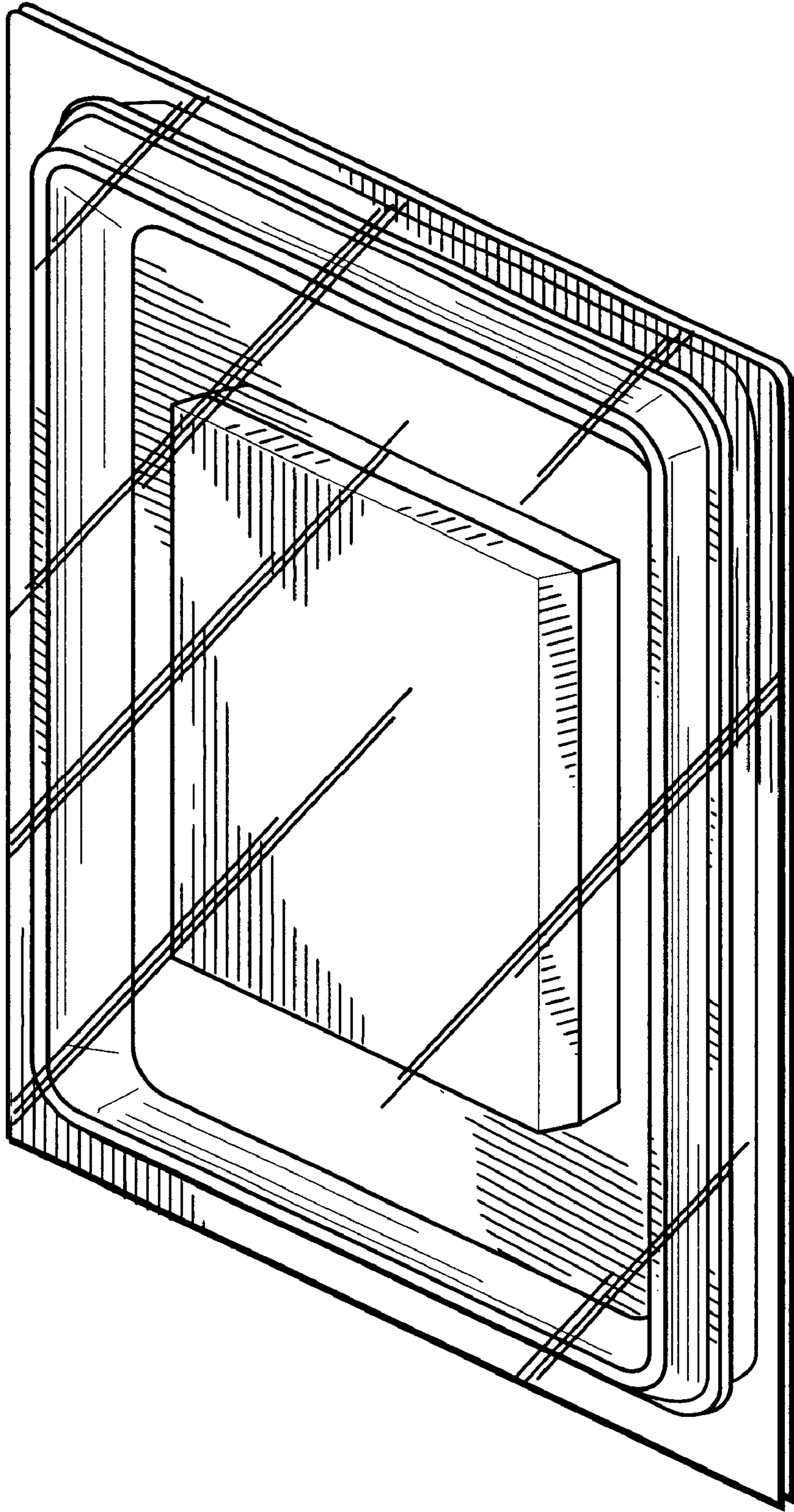


FIG. 1

FIG. 3

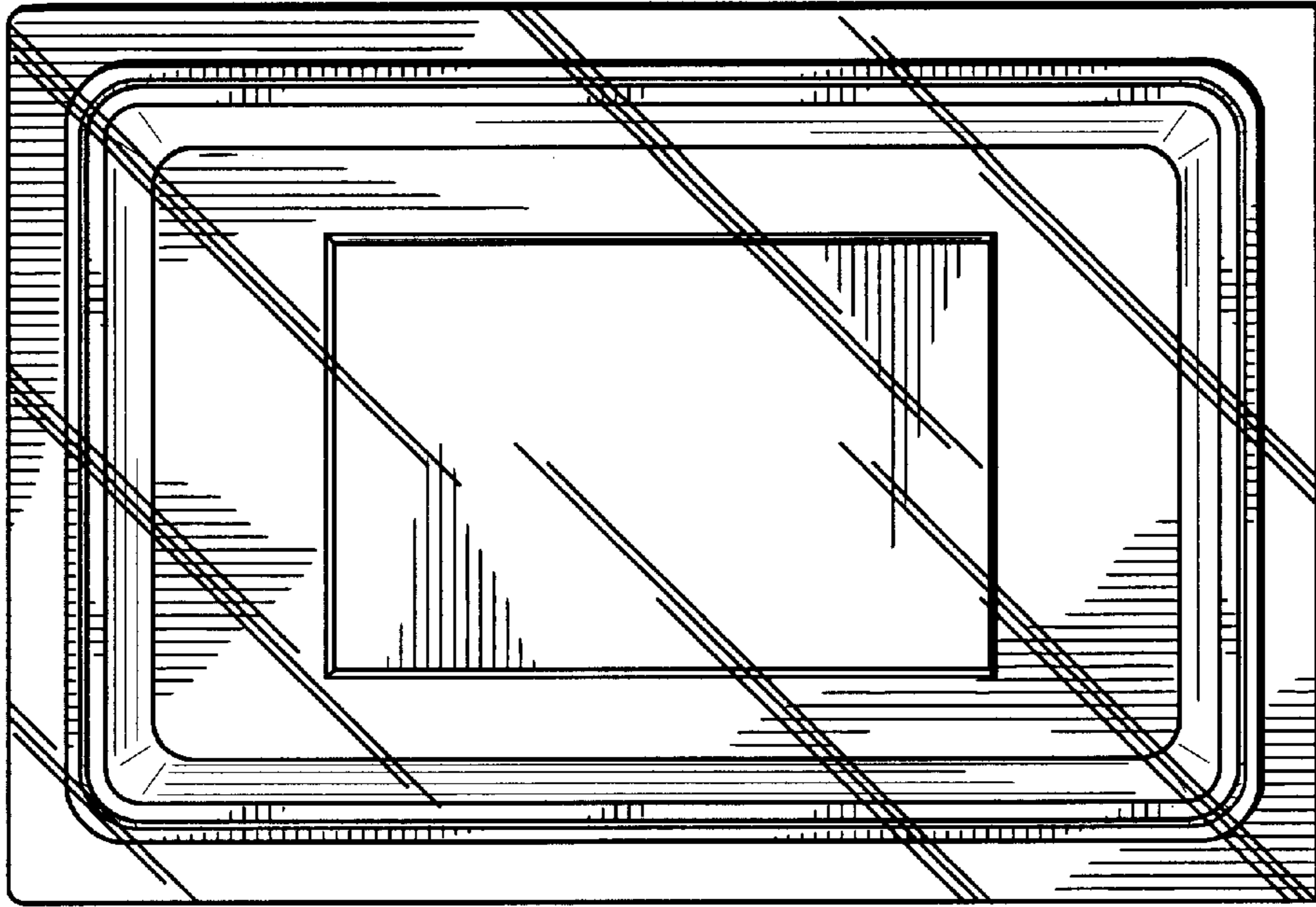
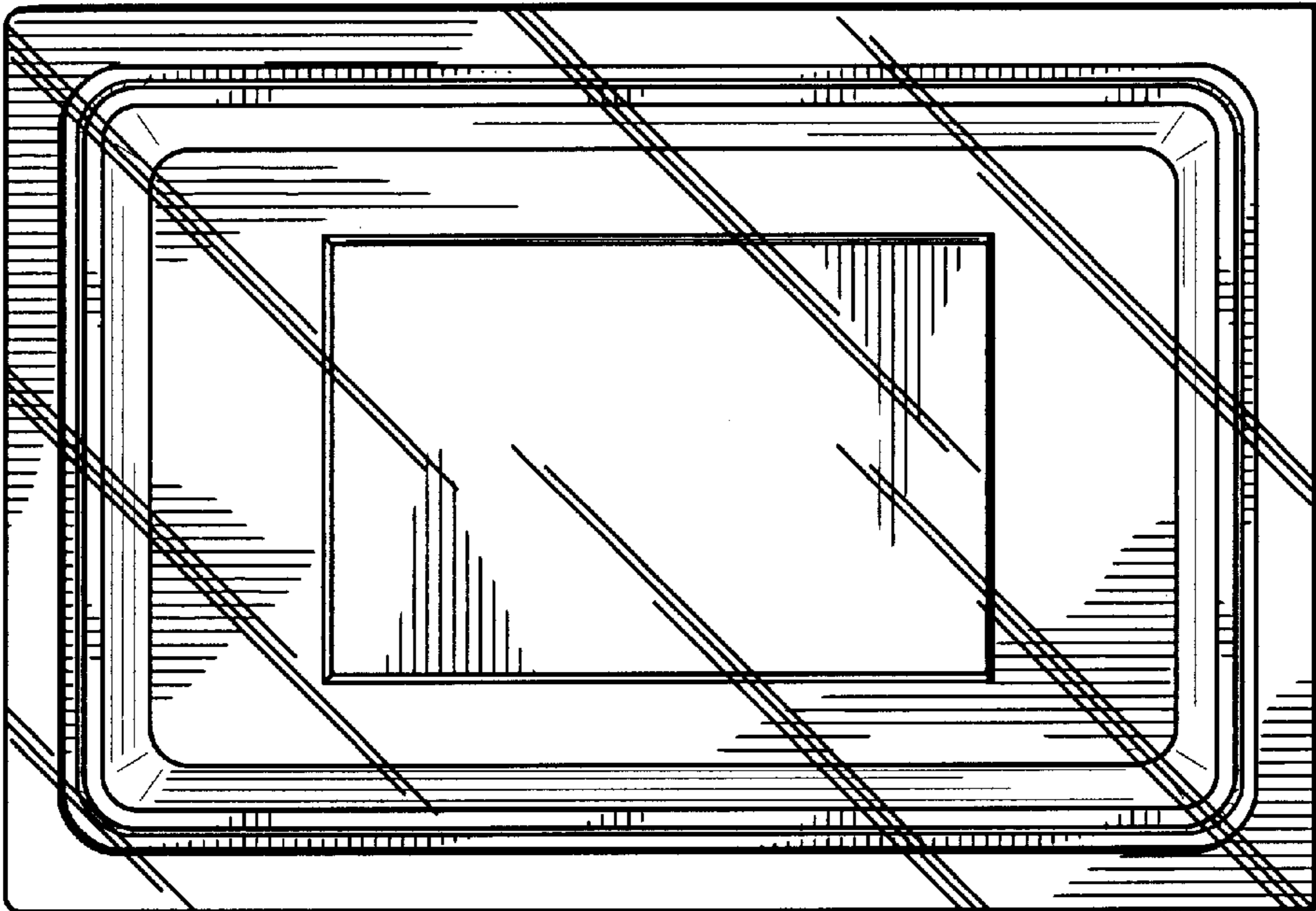


FIG. 2



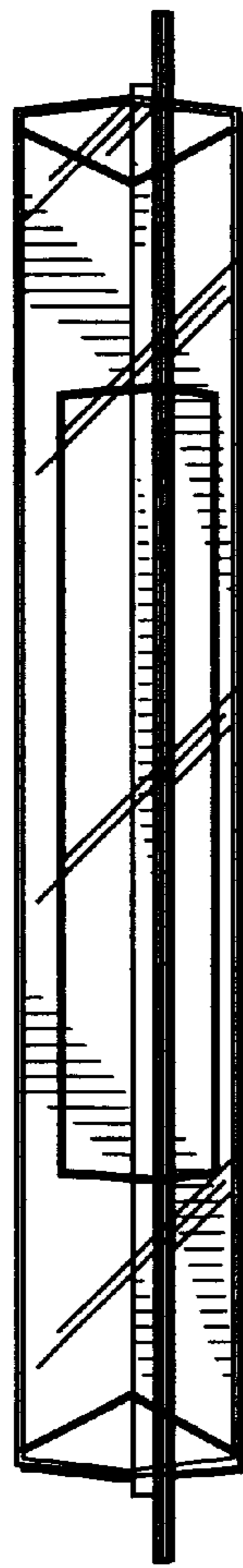


FIG. 4

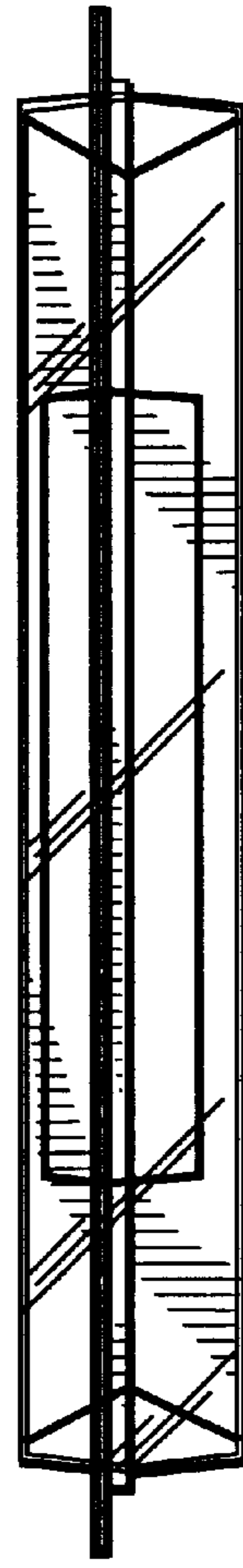


FIG. 5

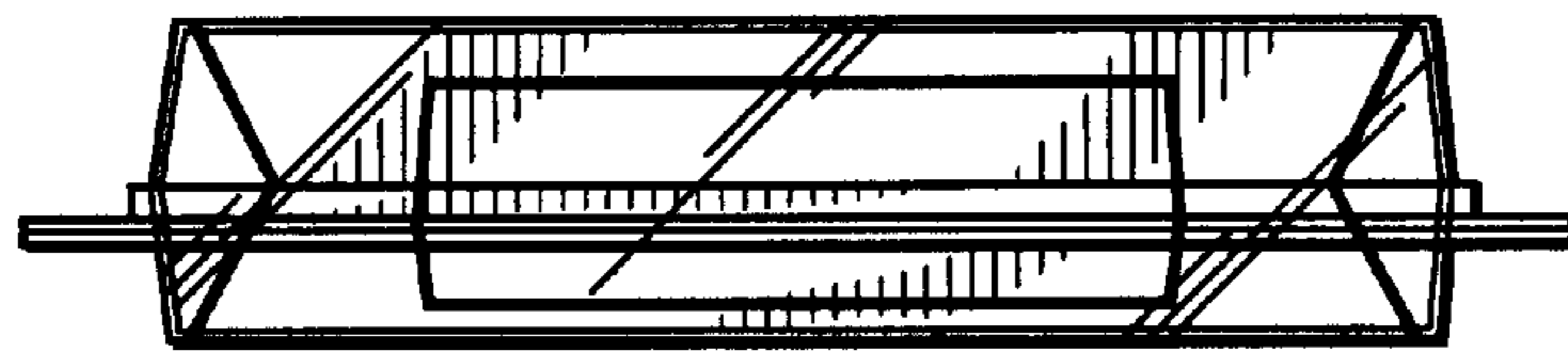


FIG. 6

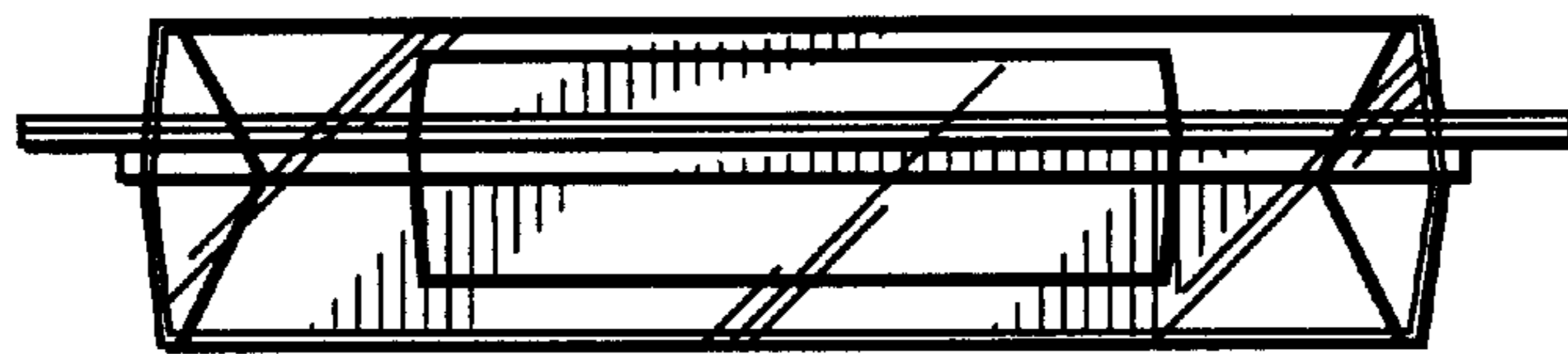


FIG. 7