



US00D463733S

(12) **United States Design Patent**
Cooper et al.

(10) **Patent No.:** **US D463,733 S**

(45) **Date of Patent:** **** Oct. 1, 2002**

(54) **CLIP OF PLASTIC FASTENERS**

(75) Inventors: **William J. Cooper**, Woonsocket, RI
(US); **Charles L. Deschenes**, North
Attleboro, MA (US)

(73) Assignee: **Avery Dennison Corporation**,
Pasadena, CA (US)

(**) Term: **14 Years**

(21) Appl. No.: **29/136,143**

(22) Filed: **Jan. 24, 2001**

(51) **LOC (7) Cl.** **08-08**

(52) **U.S. Cl.** **D8/382**

(58) **Field of Search** D8/382; 206/343-348,
206/338, 820

(56) **References Cited**

U.S. PATENT DOCUMENTS

- 3,733,657 A 5/1973 Lankton
- 3,850,297 A * 11/1974 Merser 206/343
- 4,417,656 A * 11/1983 Kato 206/346
- 4,456,123 A 6/1984 Russell
- 4,533,076 A 8/1985 Borque
- 4,586,609 A 5/1986 Won
- RE32,332 E 1/1987 Kato
- 4,660,718 A * 4/1987 Kato et al. 206/343
- 4,712,667 A 12/1987 Russell
- 4,901,854 A * 2/1990 Bone et al. 206/343

- 5,321,872 A * 6/1994 Merser 24/704.1
- RE34,891 E 4/1995 Kunreuther
- 5,463,799 A 11/1995 Graham
- 5,593,033 A * 1/1997 Kunreuther 206/346
- 6,047,823 A 4/2000 Deschenes
- 6,062,384 A * 5/2000 Ueno et al. 206/346
- 6,129,206 A 10/2000 Cooper
- 6,173,836 B1 * 1/2001 Cooper 206/346
- 6,293,399 B1 * 9/2001 Cooper 206/346

FOREIGN PATENT DOCUMENTS

WO WO 00/03935 1/2000

* cited by examiner

Primary Examiner—Alan P. Douglas

Assistant Examiner—Clare E. Heflin

(74) *Attorney, Agent, or Firm*—Kriegsman & Kriegsman

(57) **CLAIM**

The ornamental design for a clip of plastic fasteners, as shown.

DESCRIPTION

FIG. 1 is an isometric view of a clip of plastic fastener of this invention;

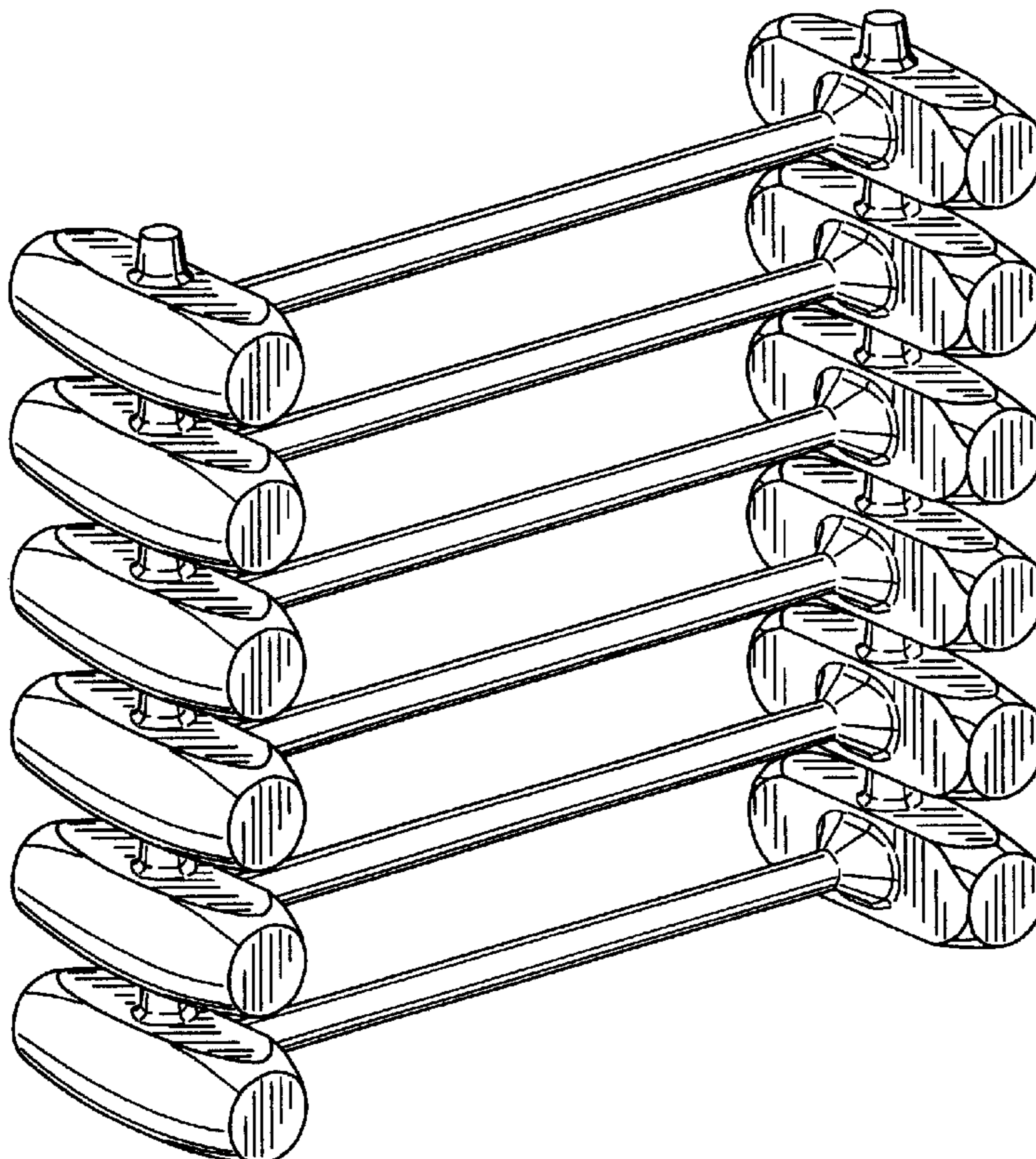
FIG. 2 is a top view thereof;

FIG. 3 is a front view thereof;

FIG. 4 is a left end view thereof; and,

FIG. 5 is a bottom view thereof.

1 Claim, 2 Drawing Sheets



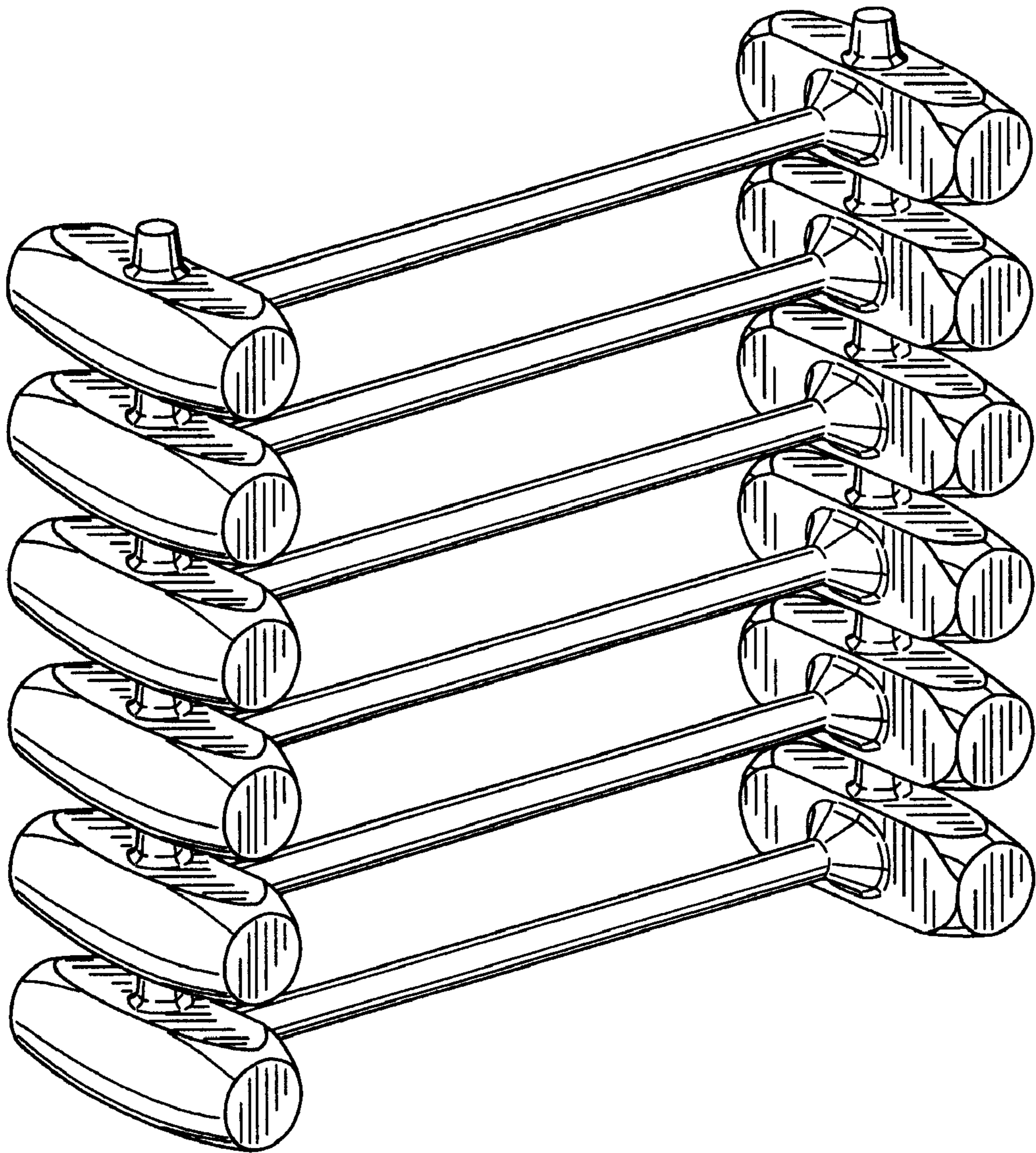


FIG. 1

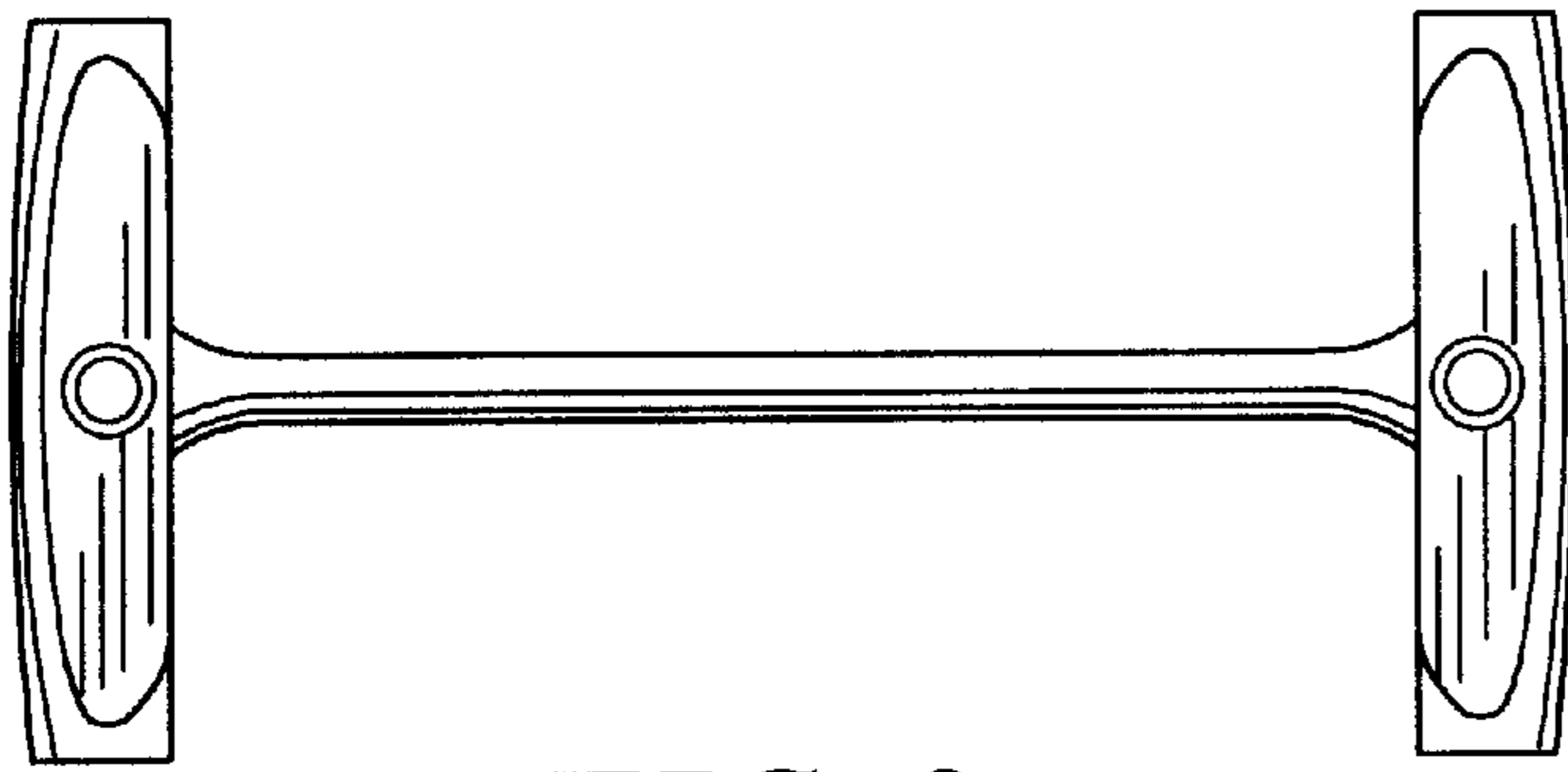


FIG. 2

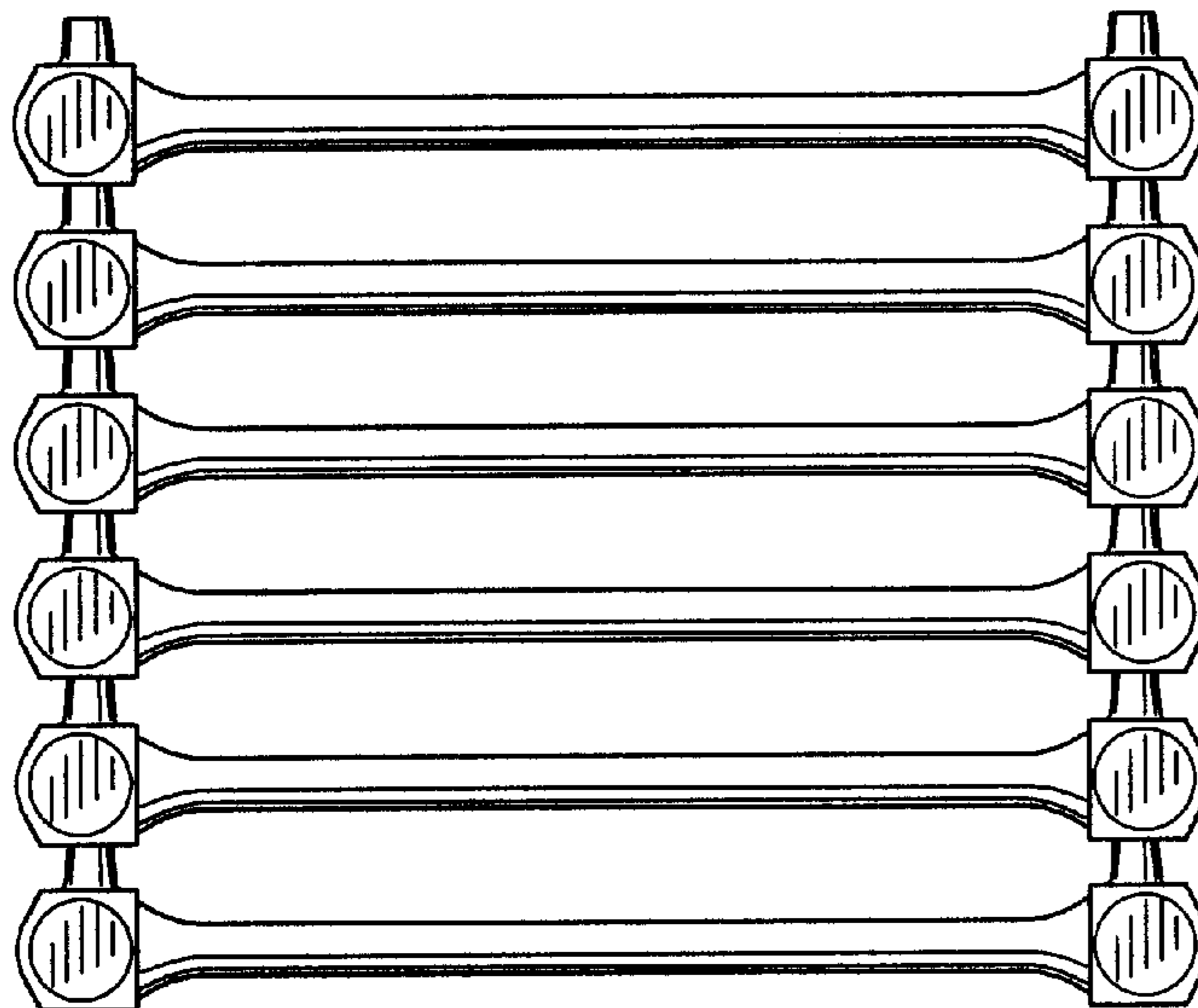


FIG. 3

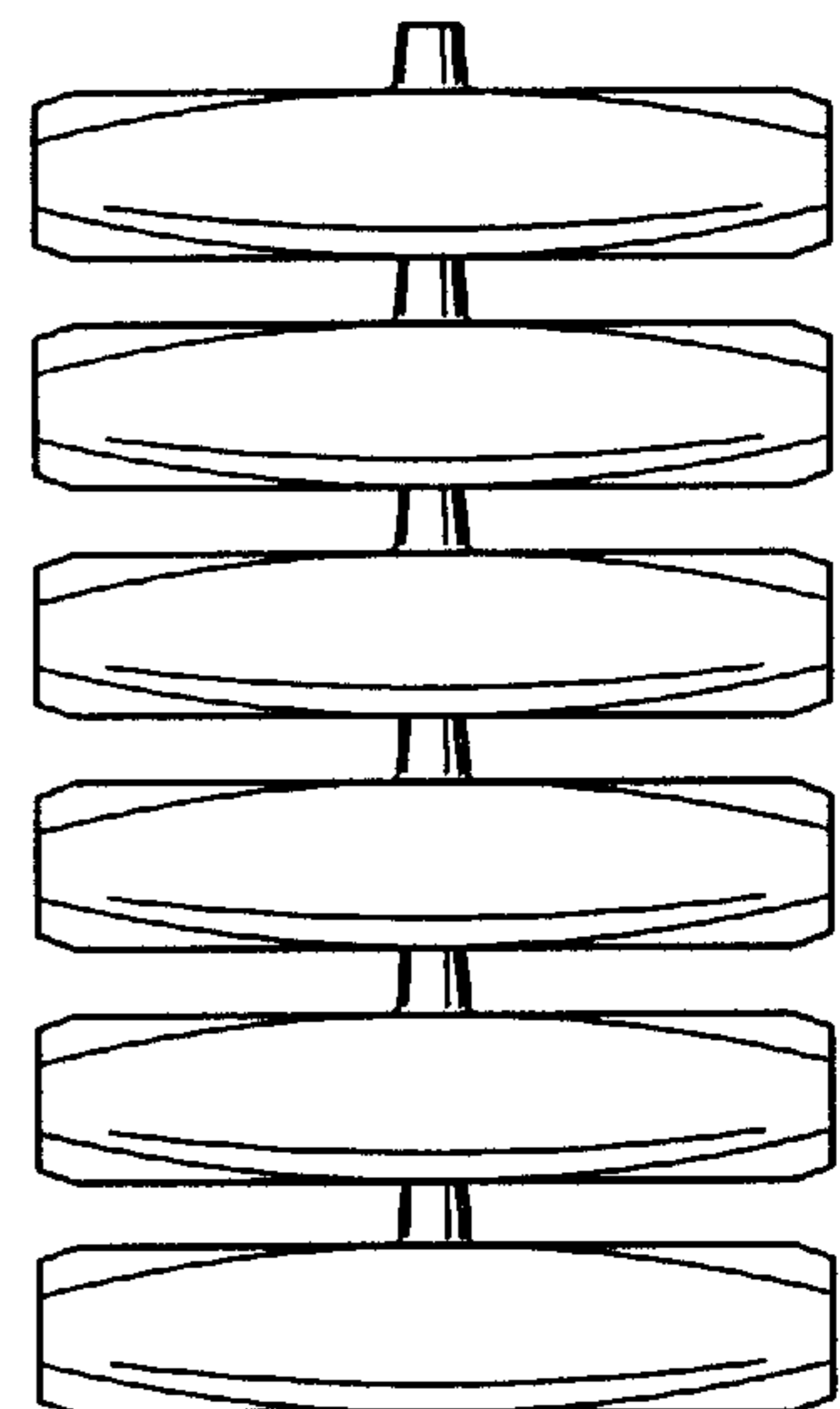


FIG. 4

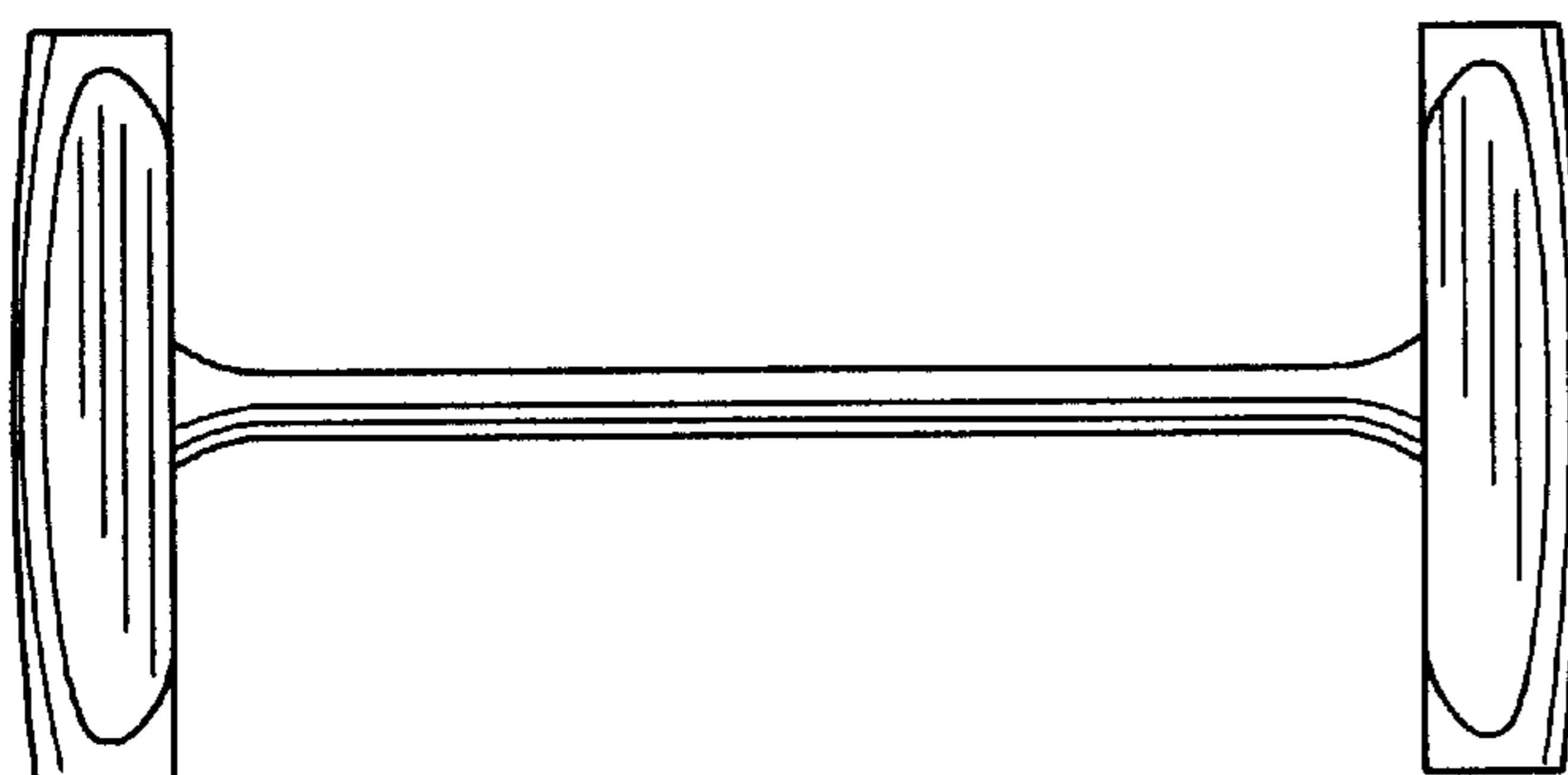


FIG. 5