

US00D463732S

(12) **United States Design Patent**
MacDonald

(10) **Patent No.:** **US D463,732 S**

(45) **Date of Patent:** **** Oct. 1, 2002**

(54) **SELF-ADJUSTING FURNITURE FOOT ASSEMBLY**

4,034,436 A * 7/1977 Ginder 16/18 A
4,327,460 A * 5/1982 Wolff 16/42 R
4,798,359 A 1/1989 Ball 248/188.3
6,155,530 A * 12/2000 Borgen 16/42 R

(75) **Inventor:** **Ian Andrew MacDonald, Belcarra (CA)**

* cited by examiner

(73) **Assignee:** **Fundamental Designs, Inc. (CA)**

Primary Examiner—Pamela Burgess

(**) **Term:** **14 Years**

(74) *Attorney, Agent, or Firm*—Seed Intellectual Property Law Group PLLC

(21) **Appl. No.:** **29/146,075**

(57) **CLAIM**

(22) **Filed:** **Aug. 2, 2001**

The ornamental design for a self-adjusting furniture foot assembly, as shown and described.

(51) **LOC (7) Cl.** **08-05**

(52) **U.S. Cl.** **D8/374; D8/375**

(58) **Field of Search** D8/374, 375; 16/18 A, 16/18 R, 42 R, 42, 44-46; 248/188.3, 188.9, 638, 633, 632, 634, 649

DESCRIPTION

FIG. 1 is a front perspective view of a self-adjusting furniture foot assembly showing my new design; FIG. 2 is a top plan view thereof; FIG. 3 is a side elevational view thereof; and, FIG. 4 is a bottom plan view thereof.

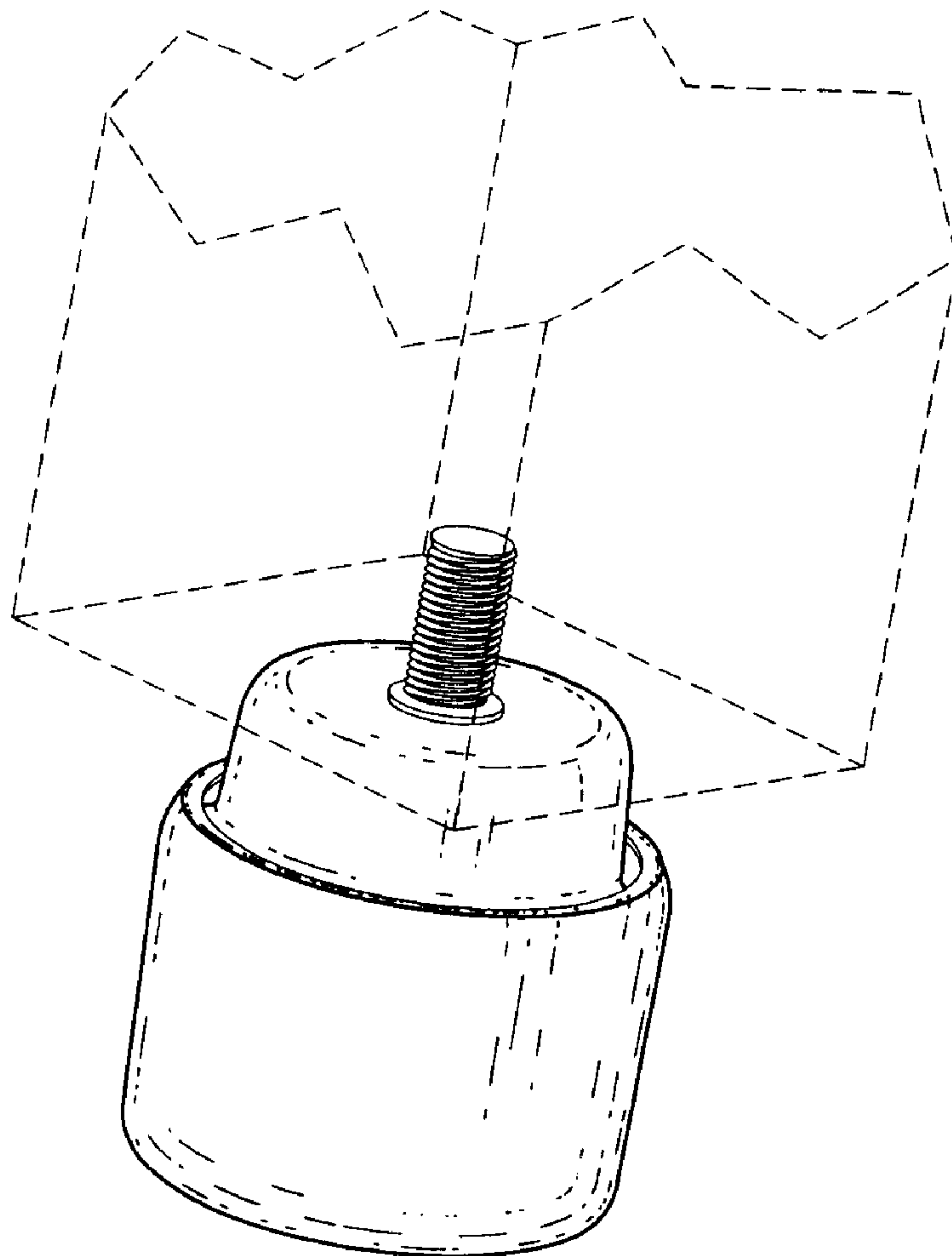
(56) **References Cited**

U.S. PATENT DOCUMENTS

2,836,843 A 6/1958 Gallagher, Jr. 16/44
2,890,544 A 6/1959 Manausa 45/137
3,675,269 A * 7/1972 Closa 16/18 A

The broken lines in the Figures are for illustrative purposes only and form no part of the claimed design.

1 Claim, 2 Drawing Sheets



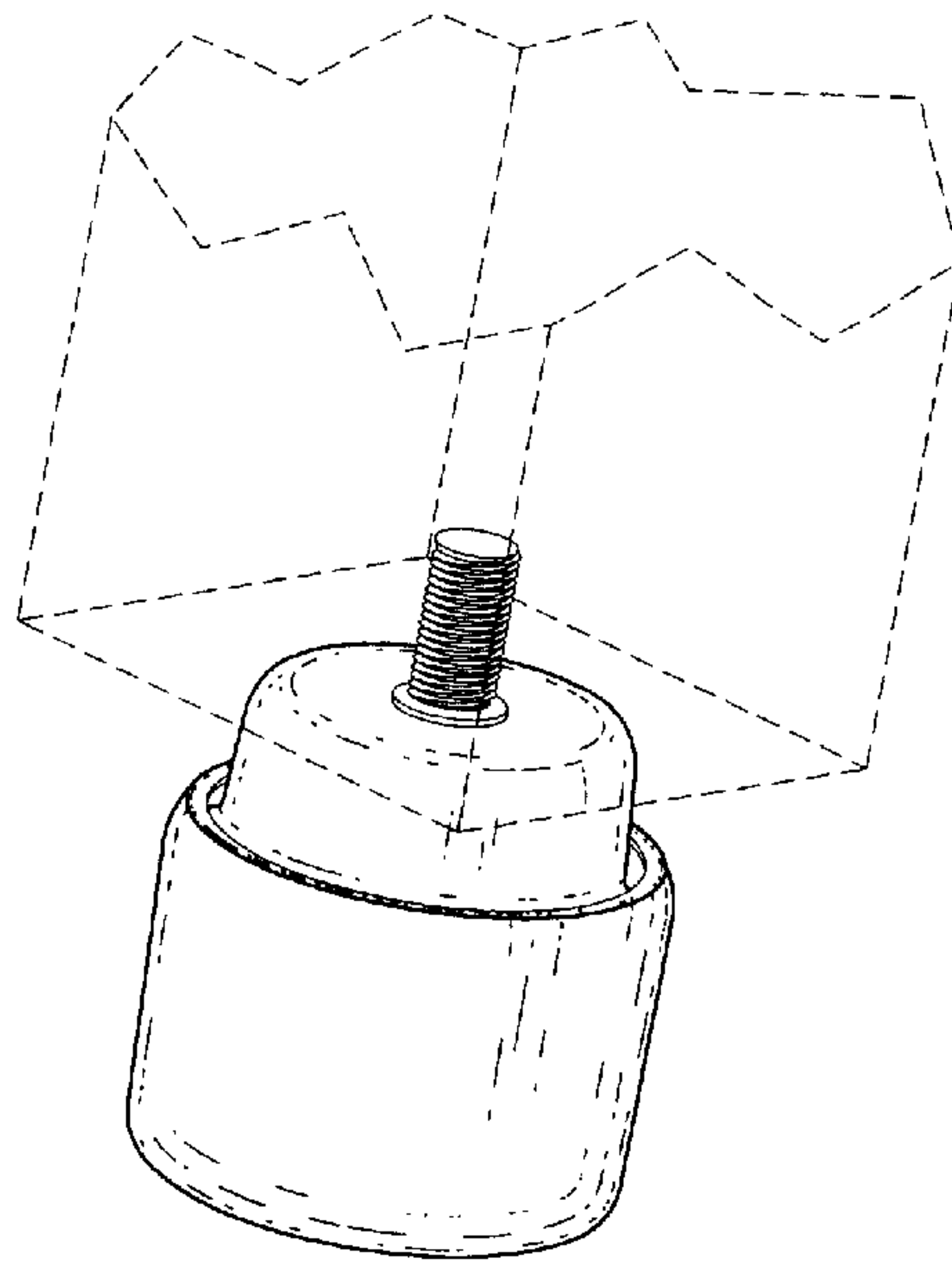


Fig. 1

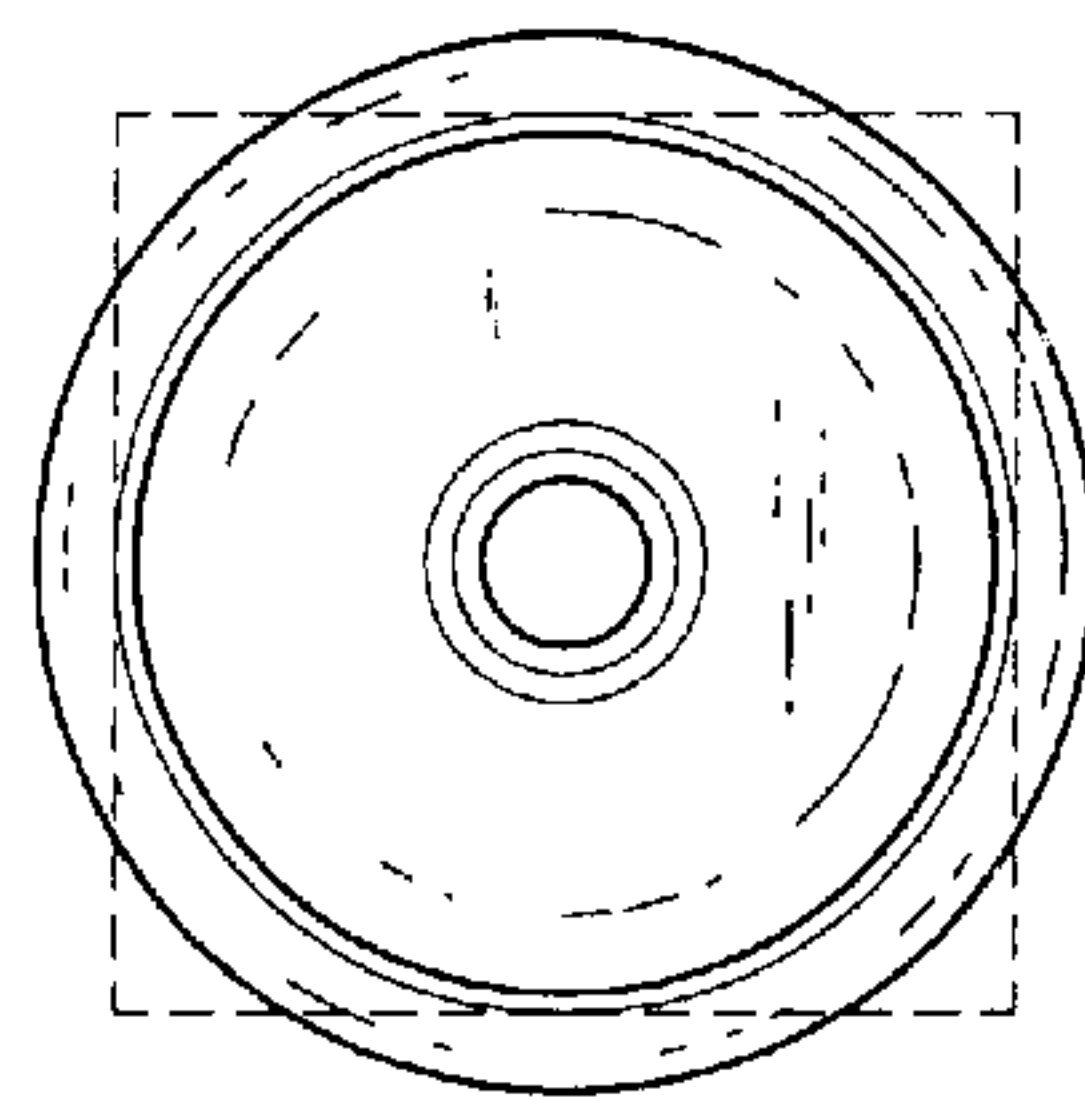


Fig. 2

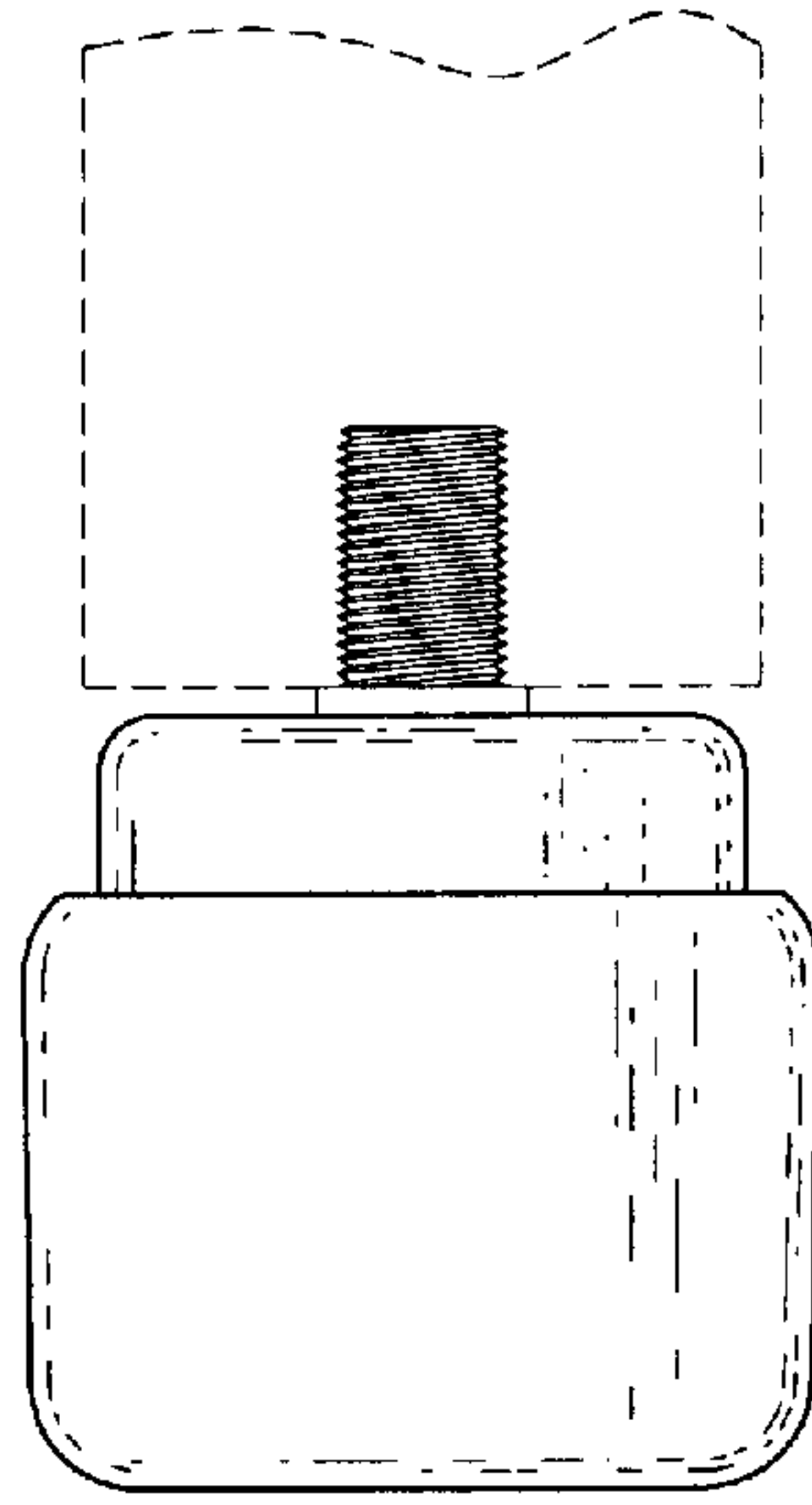


Fig. 3

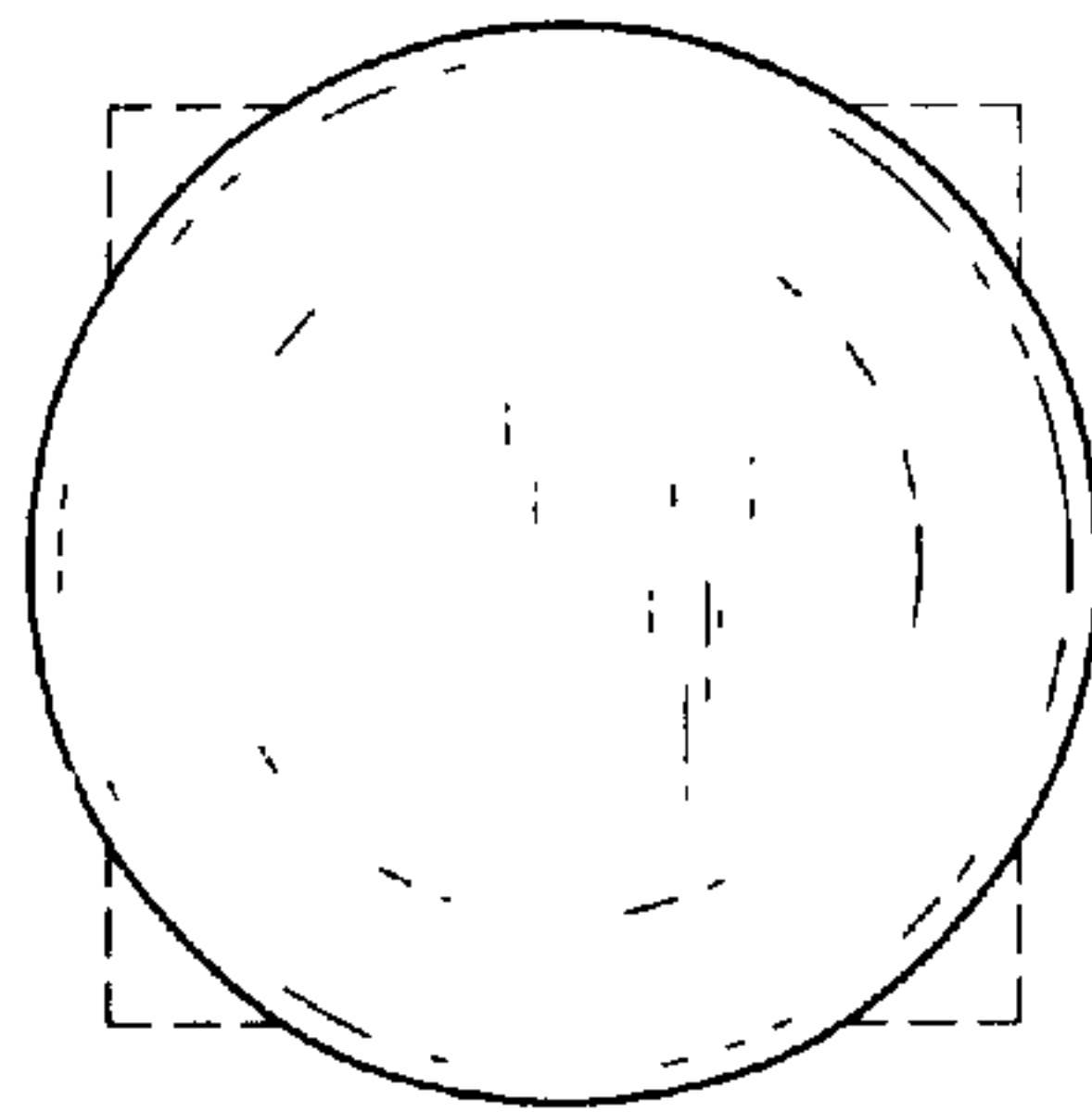


Fig. 4