



US00D463726S

(12) **United States Design Patent**
Becker

(10) **Patent No.:** **US D463,726 S**

(45) **Date of Patent:** **** Oct. 1, 2002**

- (54) **ROTATABLE CONTROL KNOB WITH PIVOTING GRIP**
- (75) Inventor: **Theodore A. Becker**, Cleveland, TN (US)
- (73) Assignee: **Maytag Corporation**, Newton, IA (US)
- (**) Term: **14 Years**
- (21) Appl. No.: **29/149,929**
- (22) Filed: **Oct. 23, 2001**
- (51) **LOC (7) Cl.** **08-06**
- (52) **U.S. Cl.** **D8/306; D8/310**
- (58) **Field of Search** D8/300, 305-307, D8/310, 311; D23/250; D7/393; D3/12, 14-16; D21/386, 390, 484, 488, 480, 503; 273/294, 289, 156, 157; 219/506; 403/375, 381; 74/553, 555, 557

(56) **References Cited**

U.S. PATENT DOCUMENTS

D132,433 S	*	5/1942	Pellegrin	D8/311
D162,734 S	*	4/1951	Hitchcock	D8/311
2,798,404 A		7/1957	Schaefer et al.		
3,066,550 A		12/1962	Sundberg		
3,783,708 A	*	1/1974	Witkowski	74/553
4,018,465 A		4/1977	Ramler		
4,219,232 A		8/1980	Kouth		
4,616,524 A	*	10/1986	Bidoia	16/441
D297,760 S	*	9/1988	Paul	D23/250
D325,865 S	*	5/1992	Del Corno	D8/306
5,128,503 A		7/1992	Frantz		
5,585,578 A		12/1996	Shimotori		
6,035,492 A		3/2000	Warshaviak		
6,281,453 B1	*	8/2001	Uleski	200/336

* cited by examiner

Primary Examiner—B. J. Bullock
(74) *Attorney, Agent, or Firm*—Diederiks & Whitelaw, PLC

(57) **CLAIM**

The ornamental design for a rotatable control knob with a pivoting grip, as shown and described.

DESCRIPTION

FIG. 1 is a top right perspective view of my rotary control knob with pivoting grip, shown on an exemplary cooktop of a cooking appliance;

FIG. 2 is an enlarged top right perspective view of the rotatable control knob of my design, with a grip portion of the control knob shown in a lowered condition;

FIG. 3 is a top right perspective view of the rotatable control knob of FIG. 2, with the grip portion of the control knob shown in an raised condition;

FIG. 4 is a front elevational view of the rotatable control knob in its lowered condition;

FIG. 5 is a top plan view of the rotatable control knob of FIG. 2;

FIG. 6 is a left elevational view of the rotatable control knob in the lowered condition of FIG. 2, with the right elevational view being a mirror image;

FIG. 7 is a rear elevational view of the rotatable control knob in the lowered condition of FIG. 2;

FIG. 8 is a bottom plan view of the rotatable control knob;

FIG. 9 is a front elevational view of the rotatable control knob, with the grip portion of the control knob shown in its raised condition;

FIG. 10 is a top plan view of the rotatable control knob of FIG. 3;

FIG. 11 is a left elevational view of the rotatable control knob in the raised condition of FIG. 3, with the right elevational view being a mirror image; and,

FIG. 12 is a rear elevational view of the rotatable control knob in the raised condition of FIG. 3.

The broken lines showing the cooktop in FIG. 1, a lower boss on the rotatable control knob in each of FIGS. 4, 6, 7-9, 11 and 12, and the mounting hole in FIG. 8 are for illustrative purposes only and form no part of the claimed invention.

1 Claim, 4 Drawing Sheets

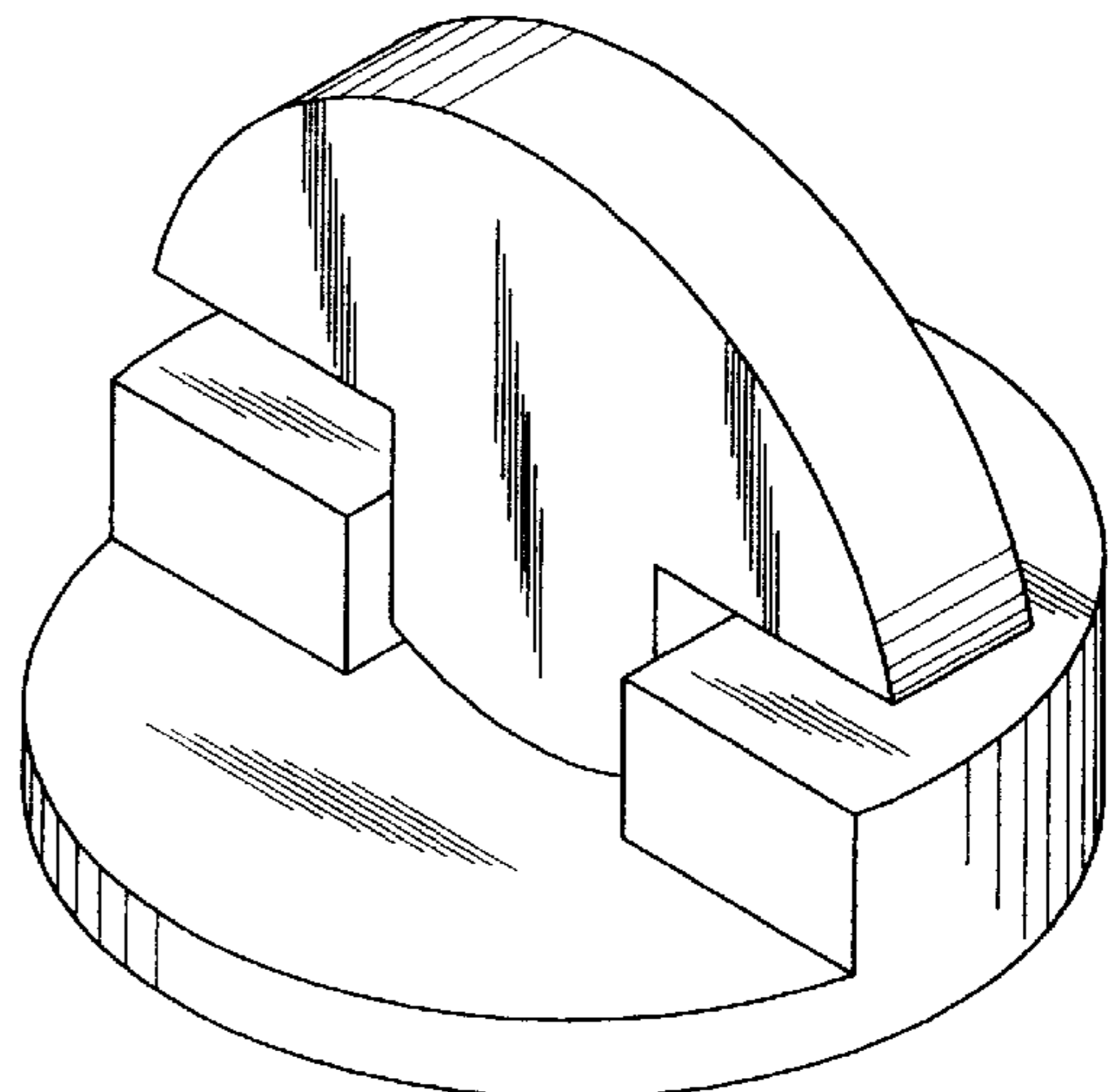
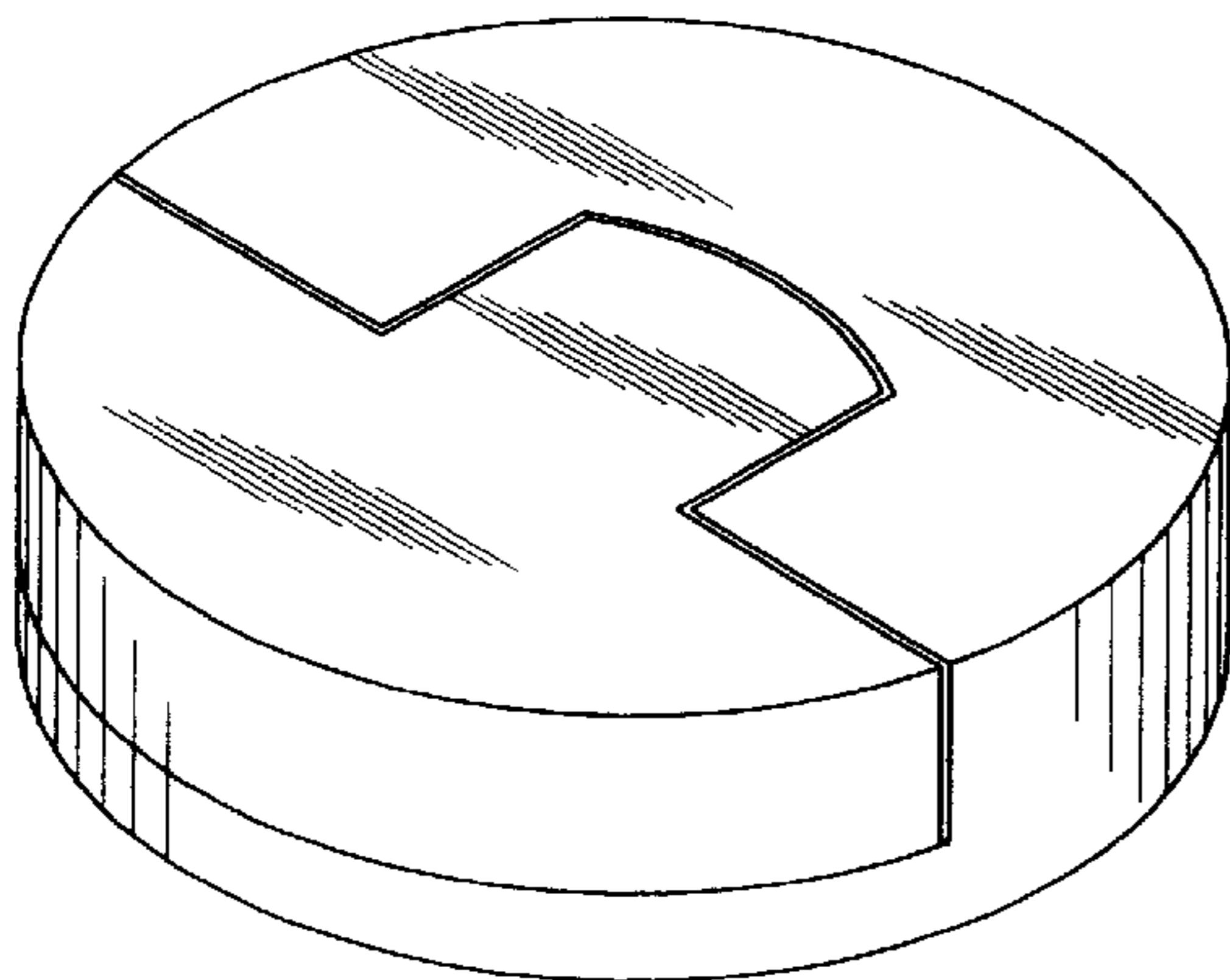


FIG. 1

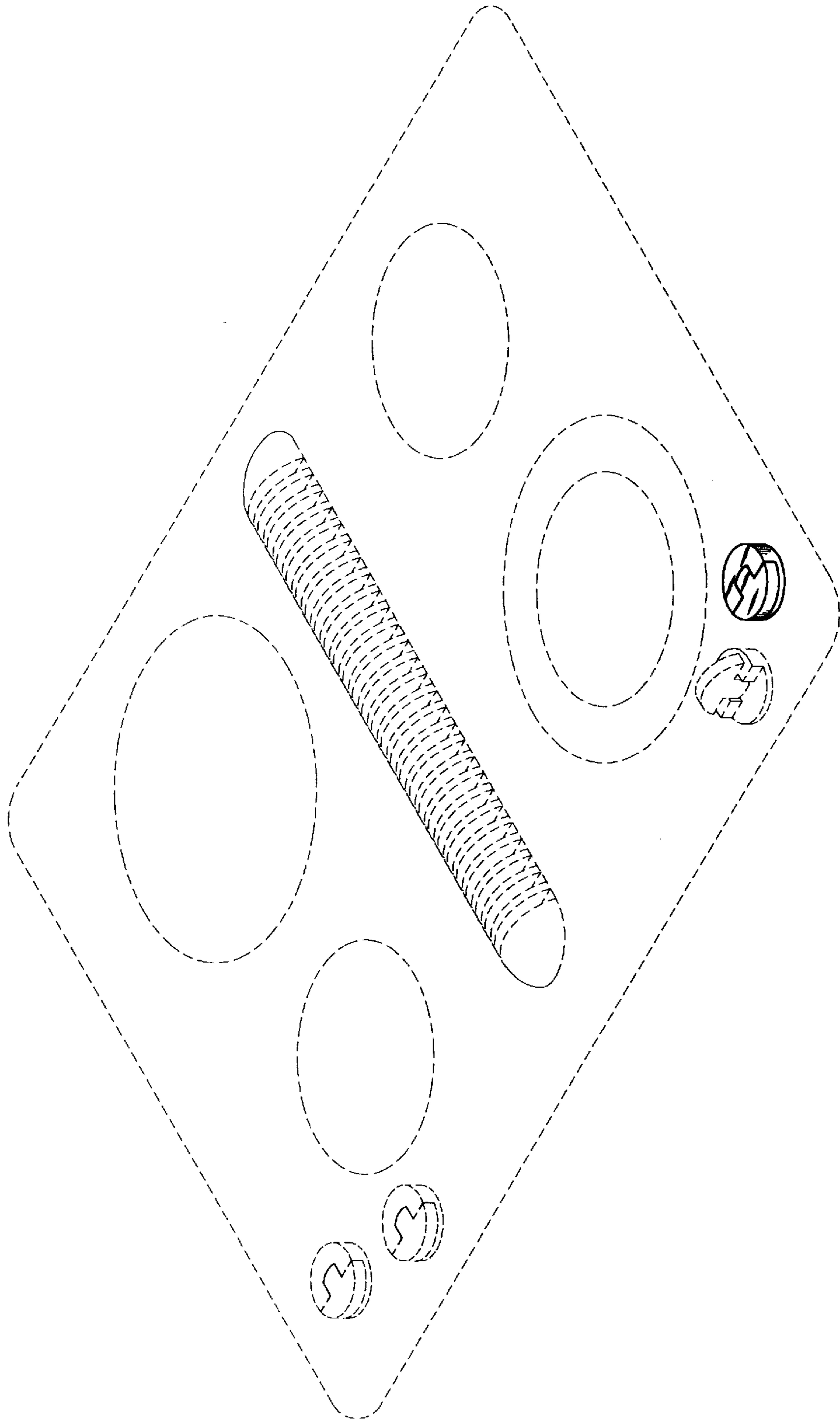


FIG. 2

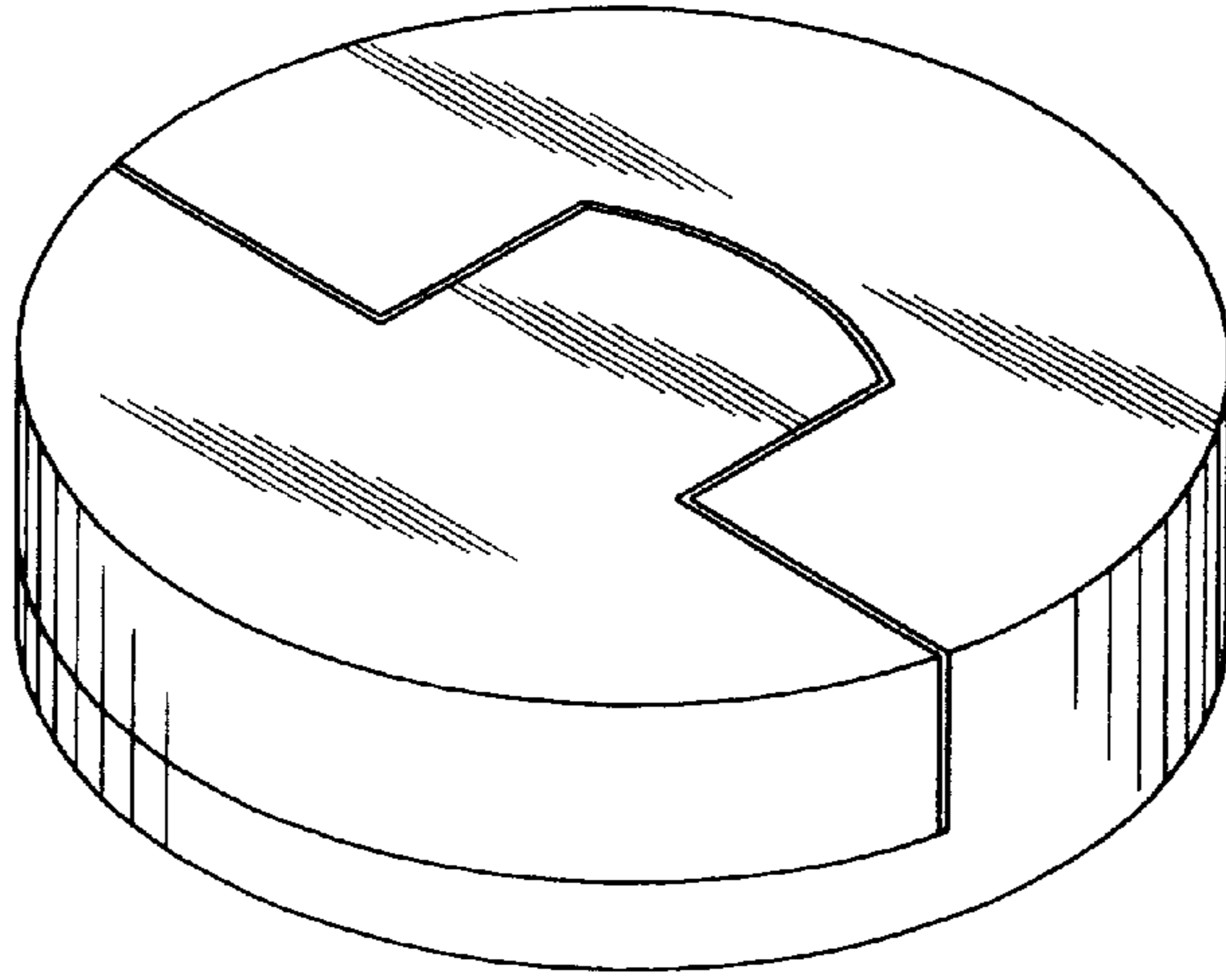


FIG. 3

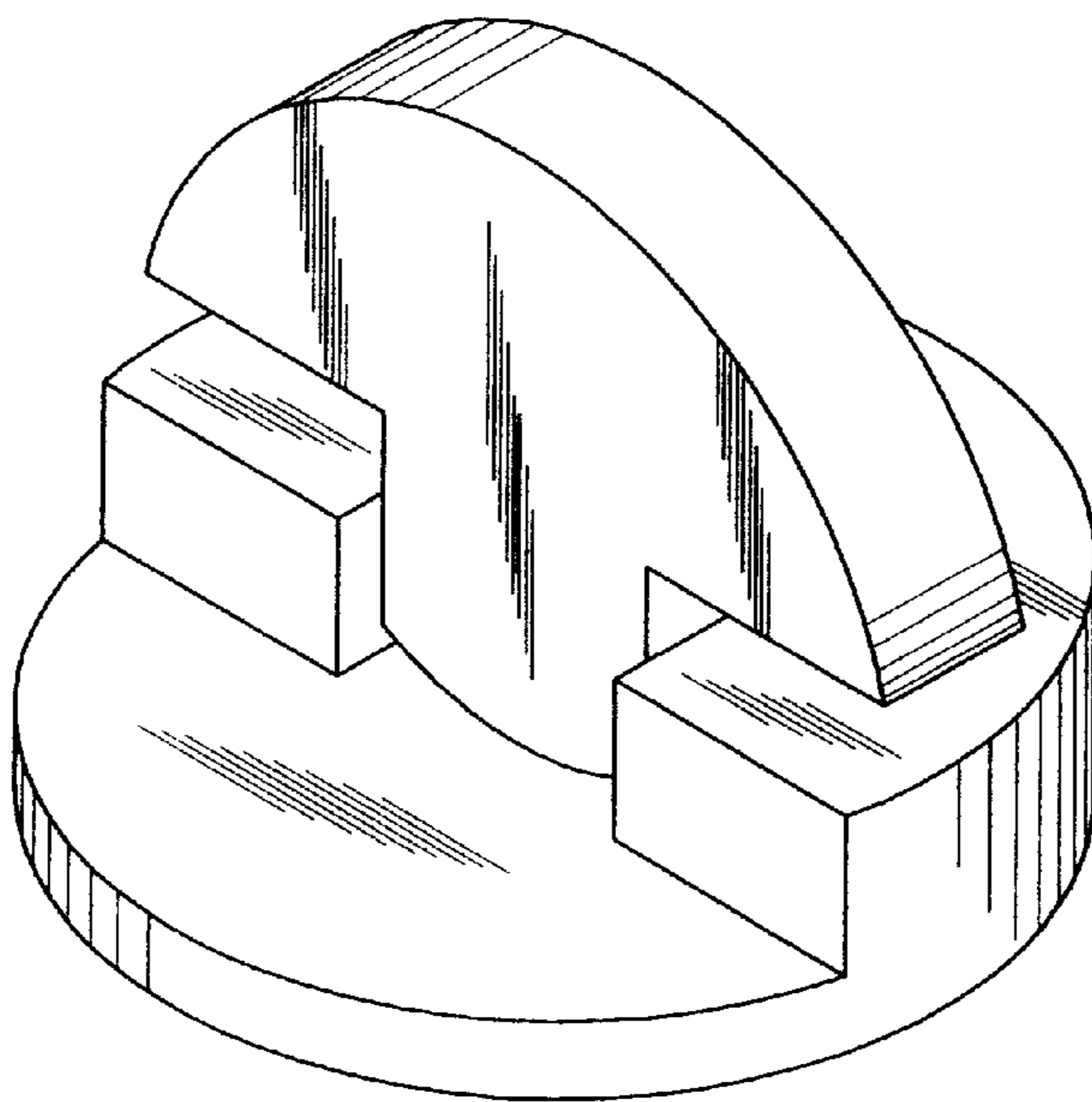


FIG. 4

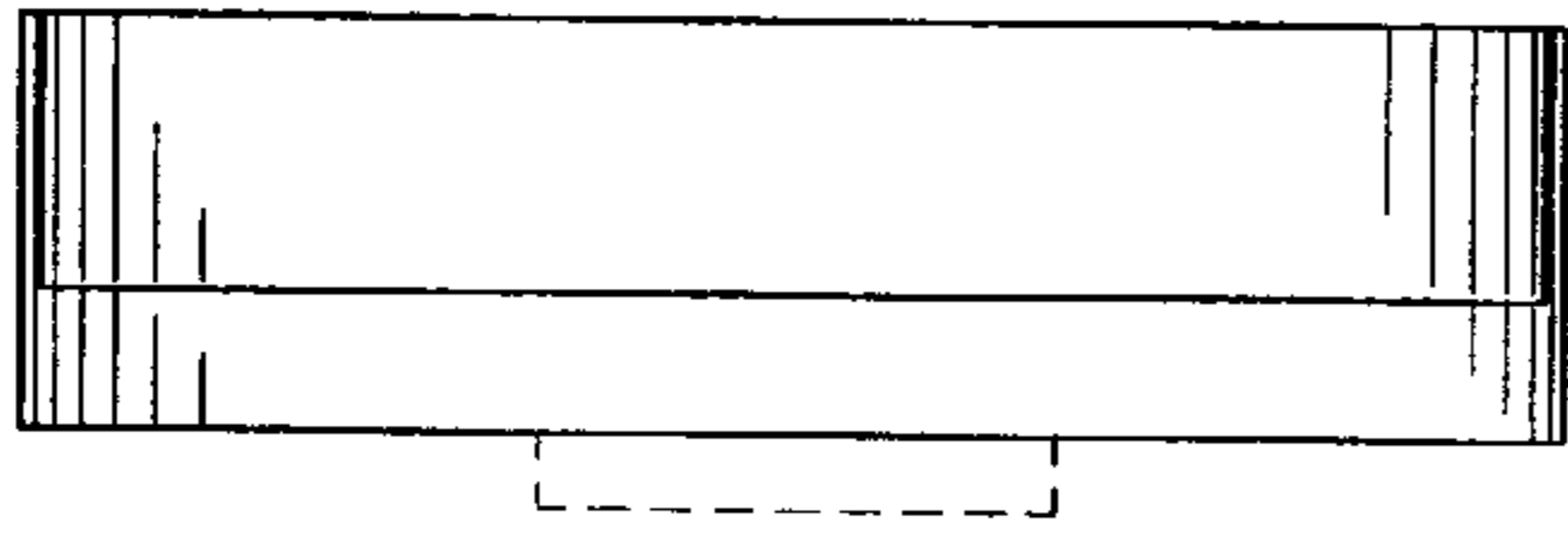


FIG. 5

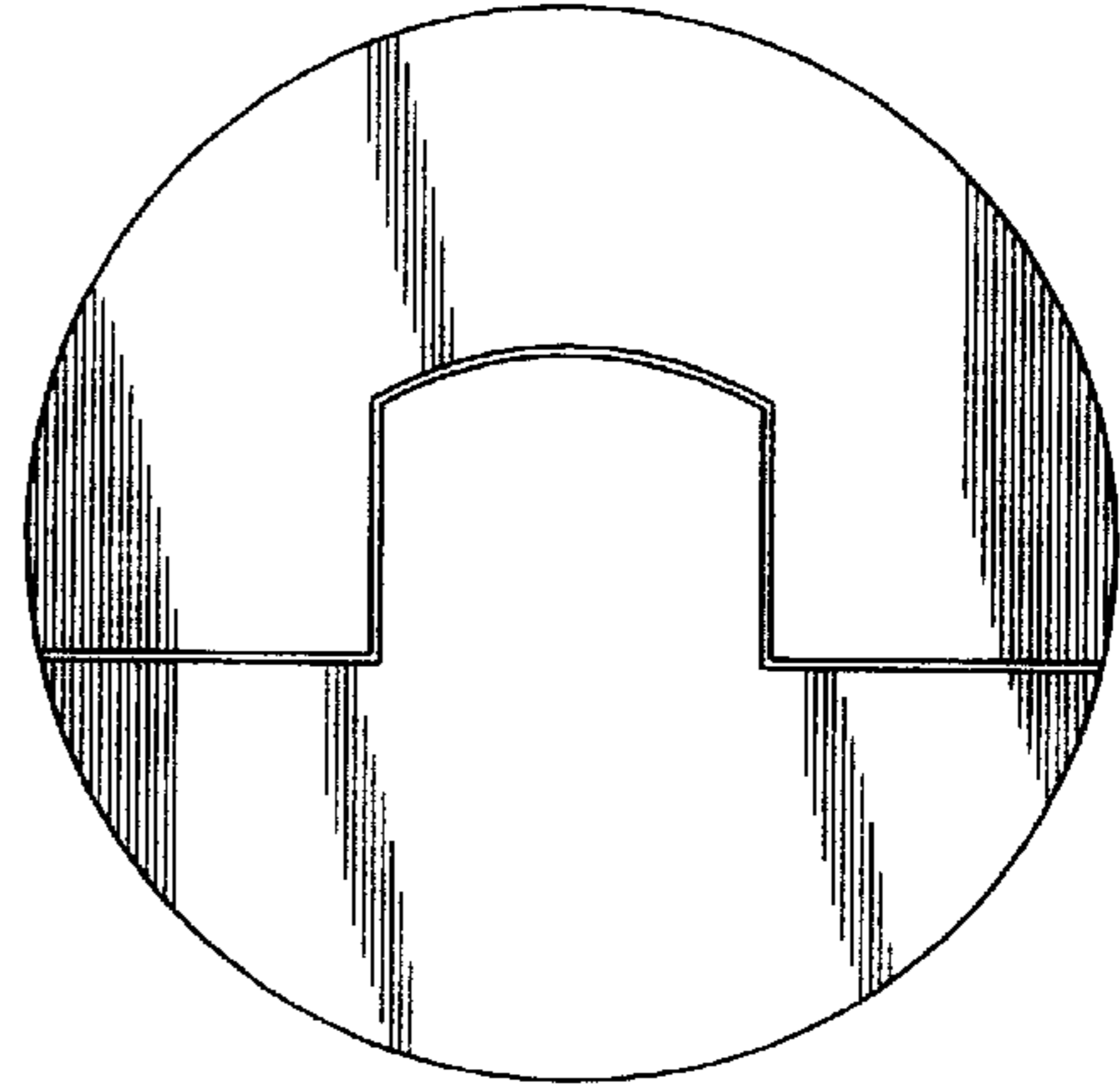


FIG. 6

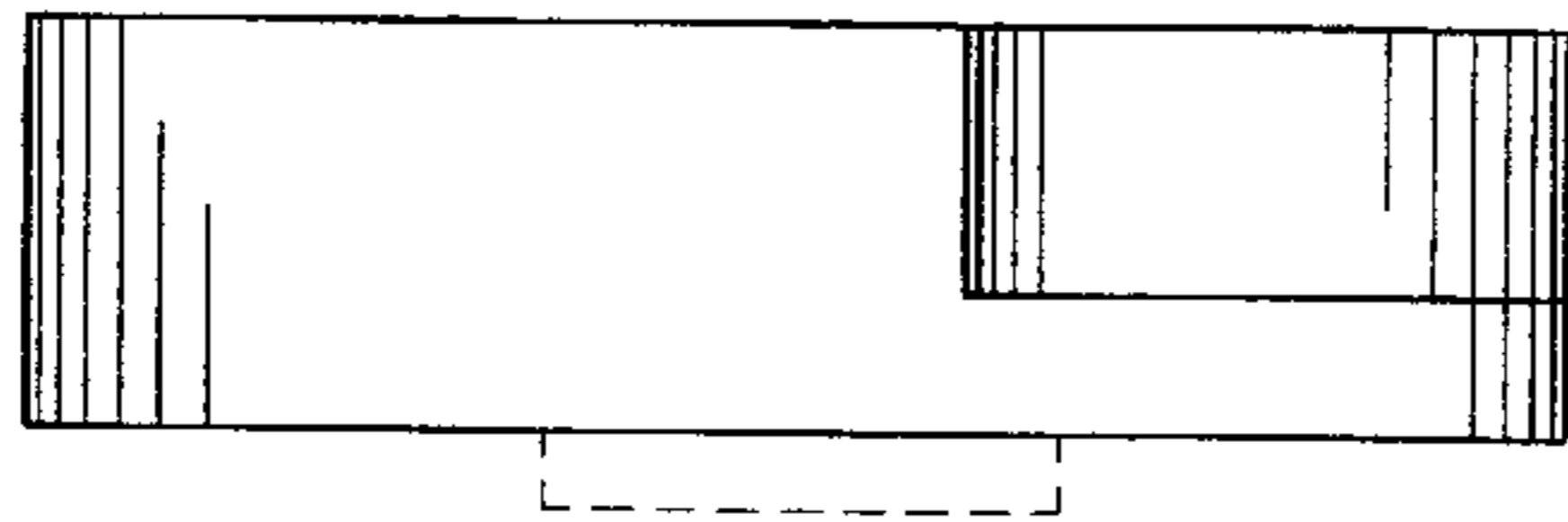


FIG. 7

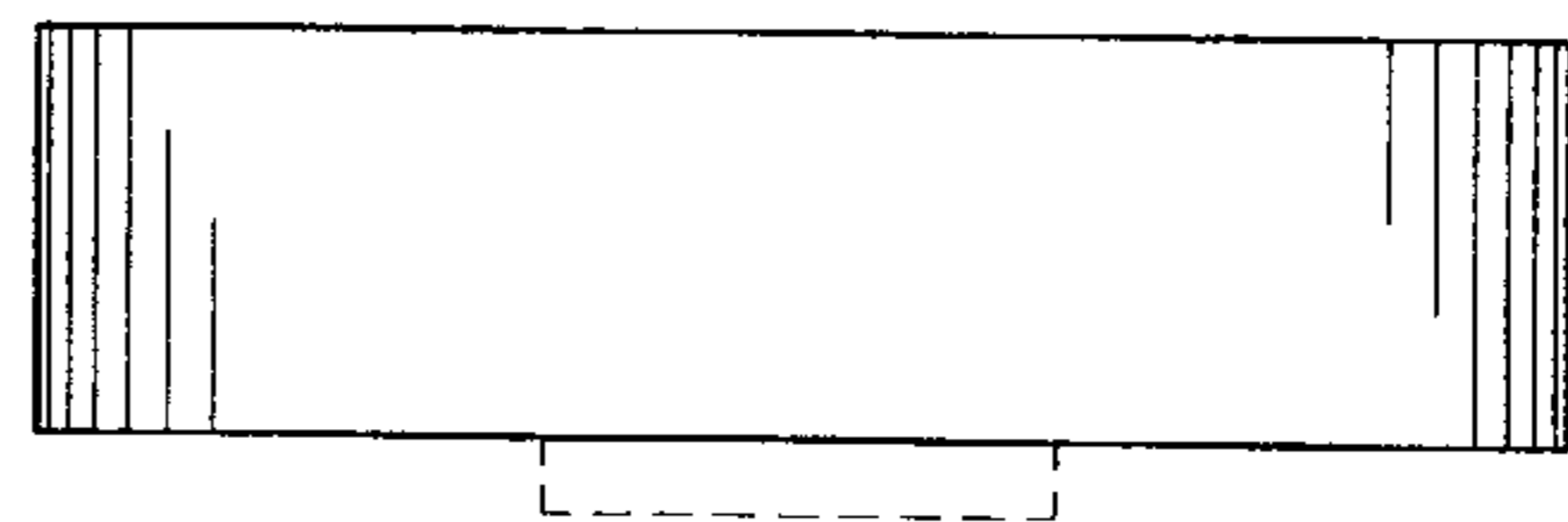


FIG. 8

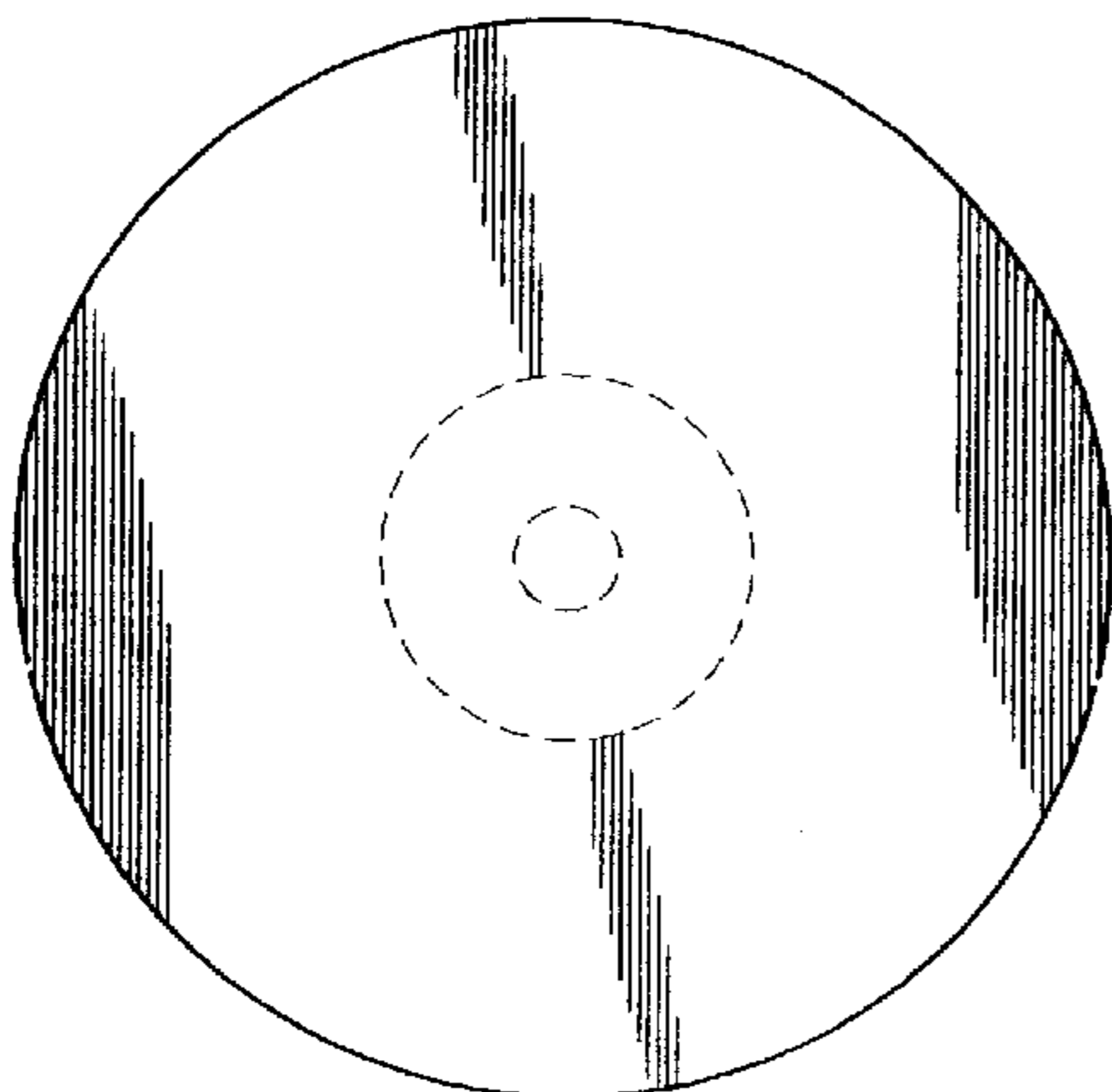


FIG. 9

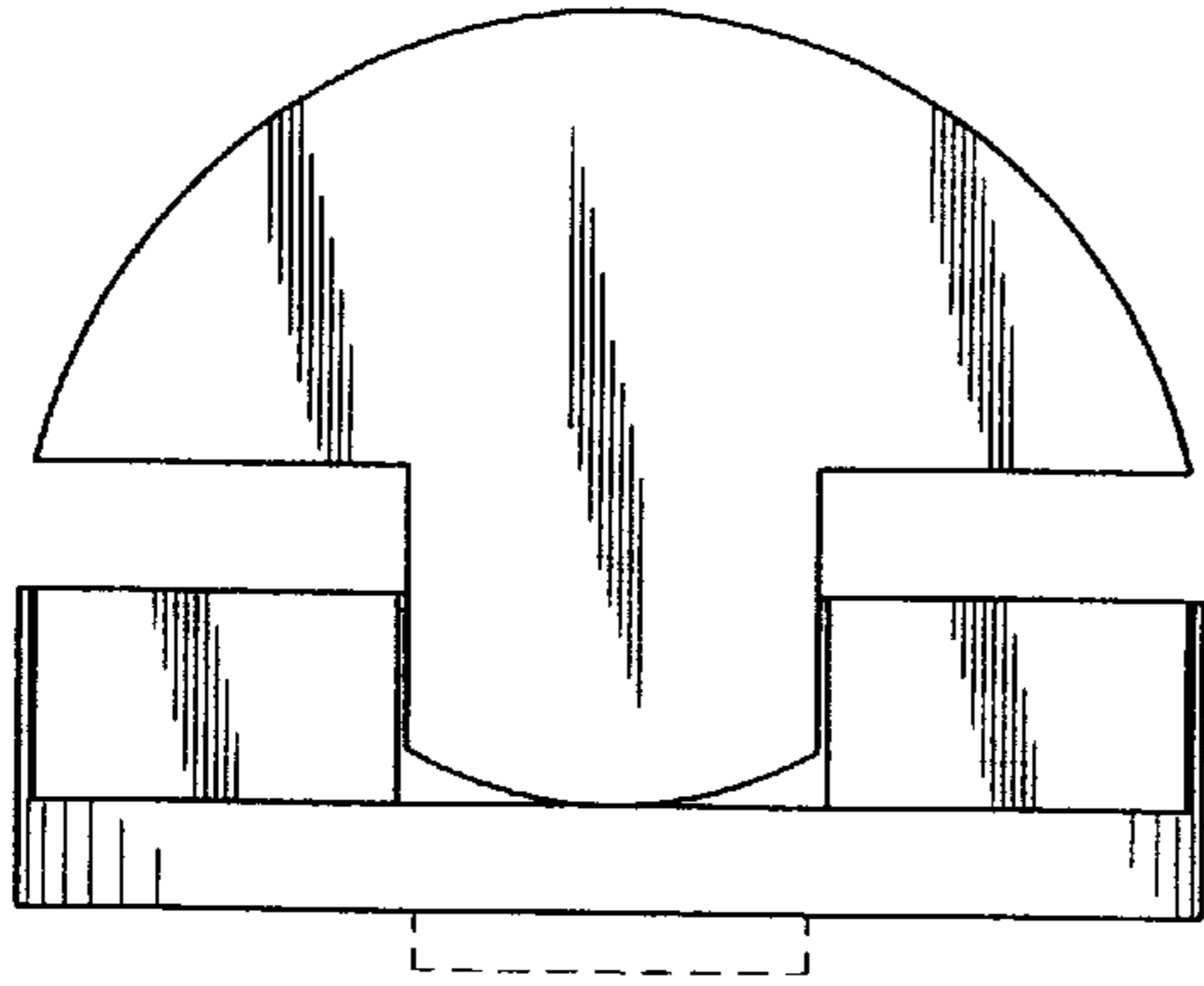


FIG. 10

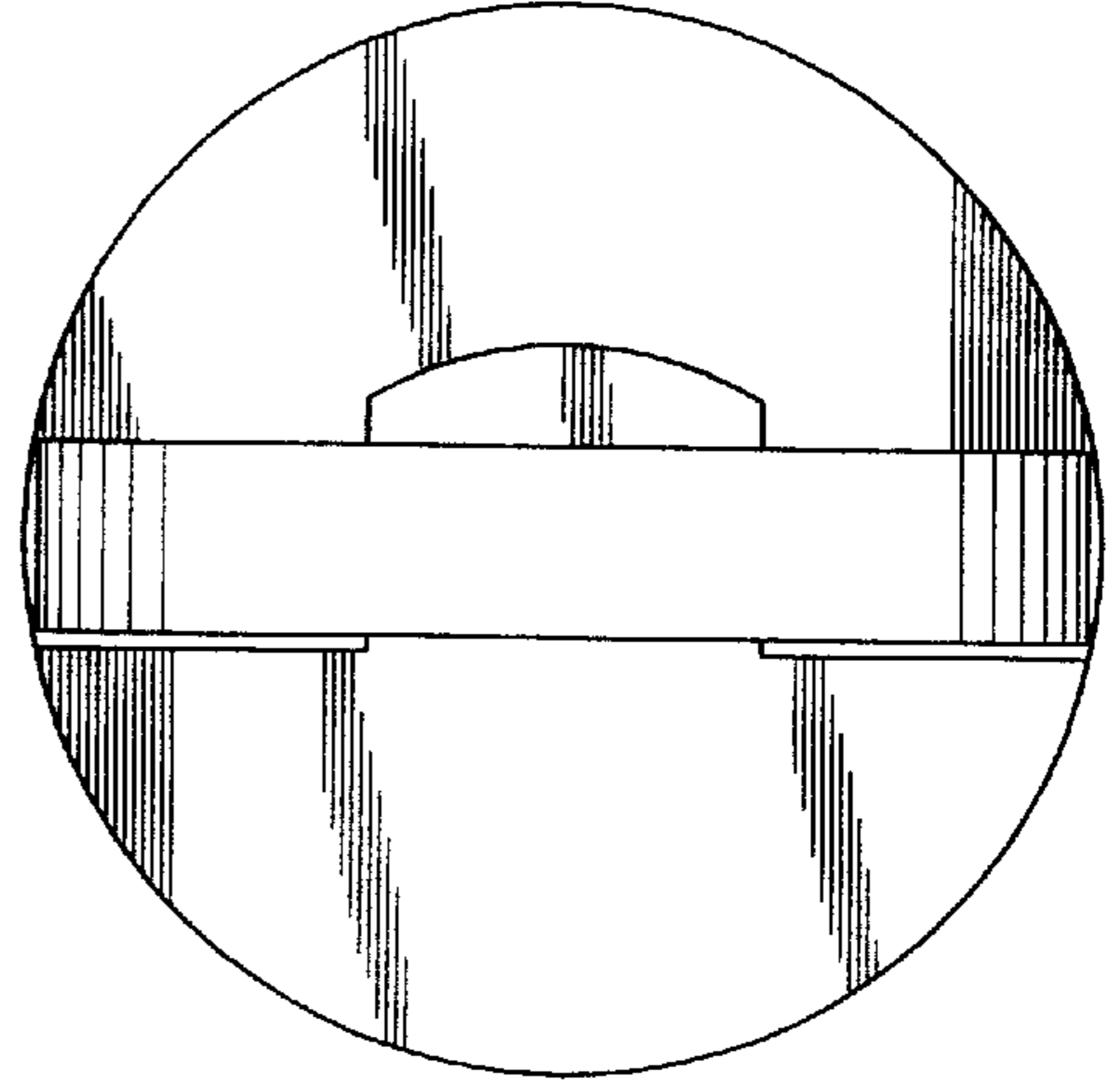


FIG. 11

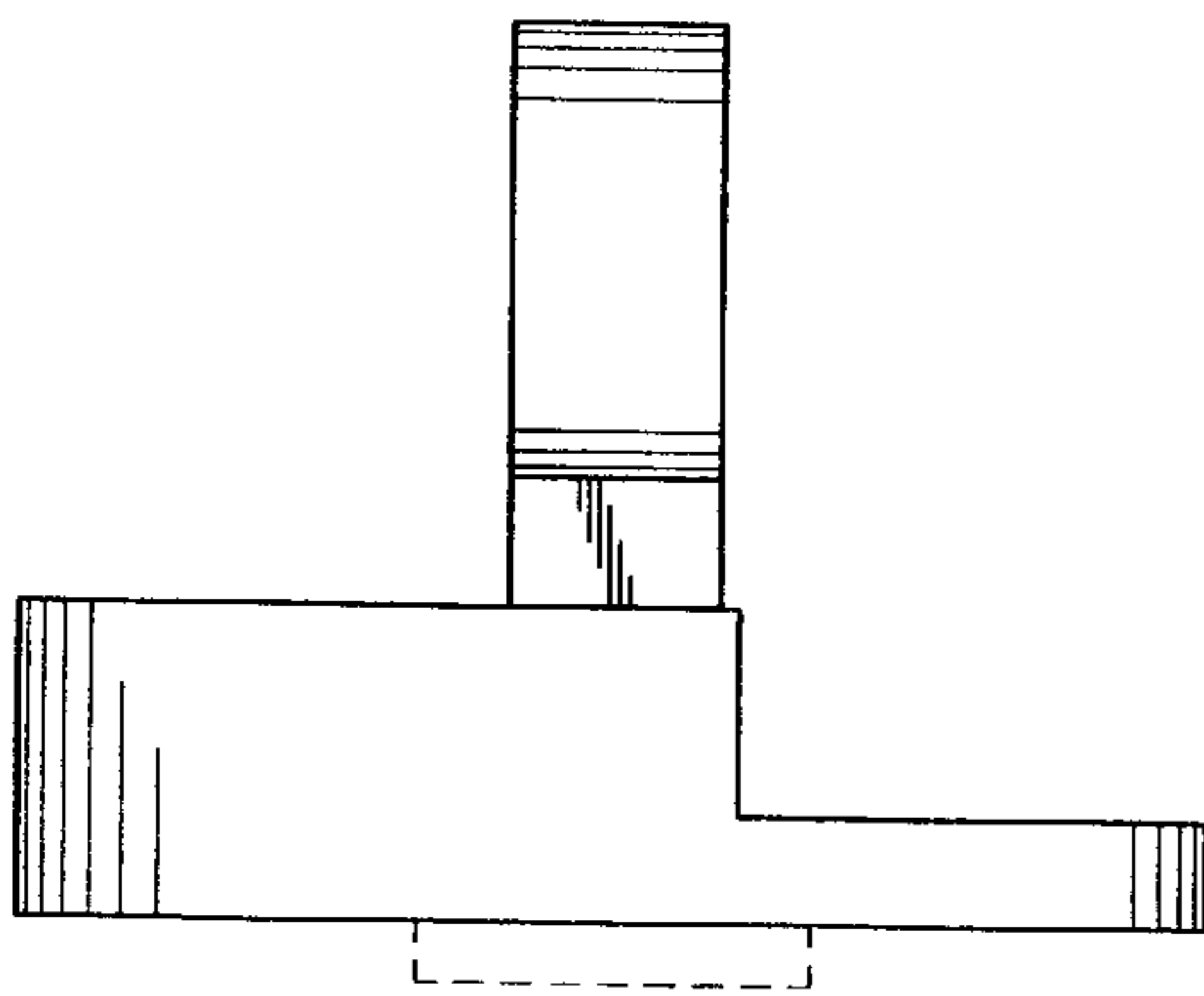


FIG. 12

