



US00D463721S

(12) **United States Design Patent**  
**Boucher**

(10) **Patent No.:** **US D463,721 S**

(45) **Date of Patent:** **\*\* Oct. 1, 2002**

(54) **TREE SUPPORT**

(76) Inventor: **Jim R. Boucher**, 2224 S.  
Dambenberger Rd., Turlock, CA (US)  
95380

(\*\*) Term: **14 Years**

(21) Appl. No.: **29/150,928**

(22) Filed: **Nov. 29, 2001**

(51) **LOC (7) Cl.** ..... **08-01**

(52) **U.S. Cl.** ..... **D8/1**

(58) **Field of Search** ..... D8/1; 47/42, 43,  
47/44

(56) **References Cited**

**U.S. PATENT DOCUMENTS**

D215,742 S	*	10/1969	Maxwell	.....	D8/1
3,521,401 A	*	7/1970	Shisler	.....	47/43
4,649,666 A	*	3/1987	Ness et al.	.....	47/43
5,568,700 A	*	10/1996	Veneziano et al.	.....	47/43
D408,230 S	*	4/1999	Evans	.....	D8/1

\* cited by examiner

*Primary Examiner*—Robin V. Taylor

(74) *Attorney, Agent, or Firm*—R. Michael West; Boutin,  
Dentino, Gibson, Di Giusto, Hodell & West

(57) **CLAIM**

The ornamental design for a tree support, as shown and described.

**DESCRIPTION**

FIG. 1 is a low-angle perspective of a tree support, showing my new design;

FIG. 2 is a top plan view, thereof;

FIG. 3 is a bottom plan view, thereof;

FIG. 4 is an elevational view of the right-hand side, thereof;

FIG. 5 is an elevational view of the left-hand side, thereof;

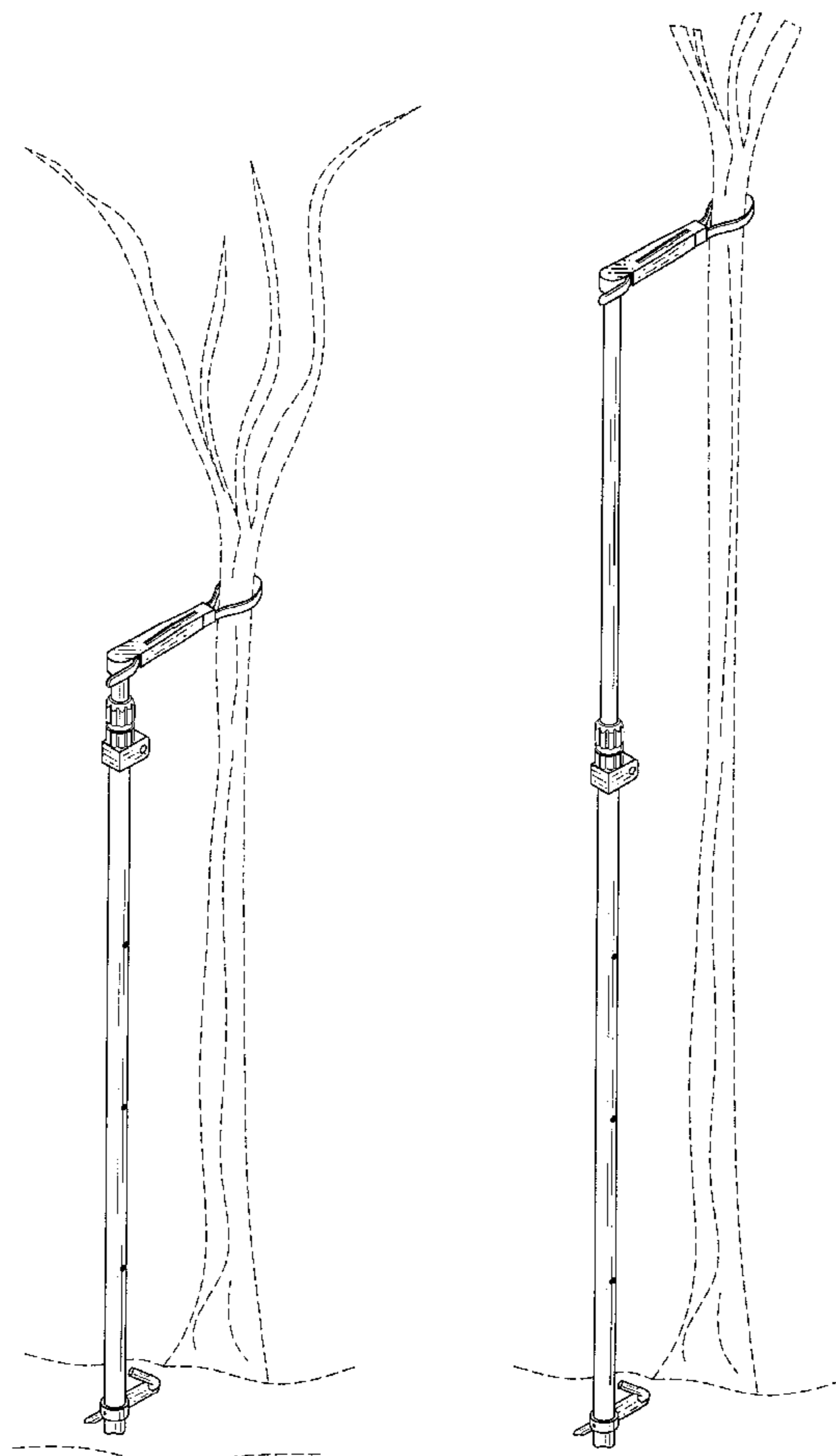
FIG. 6 is a rear elevational view, thereof;

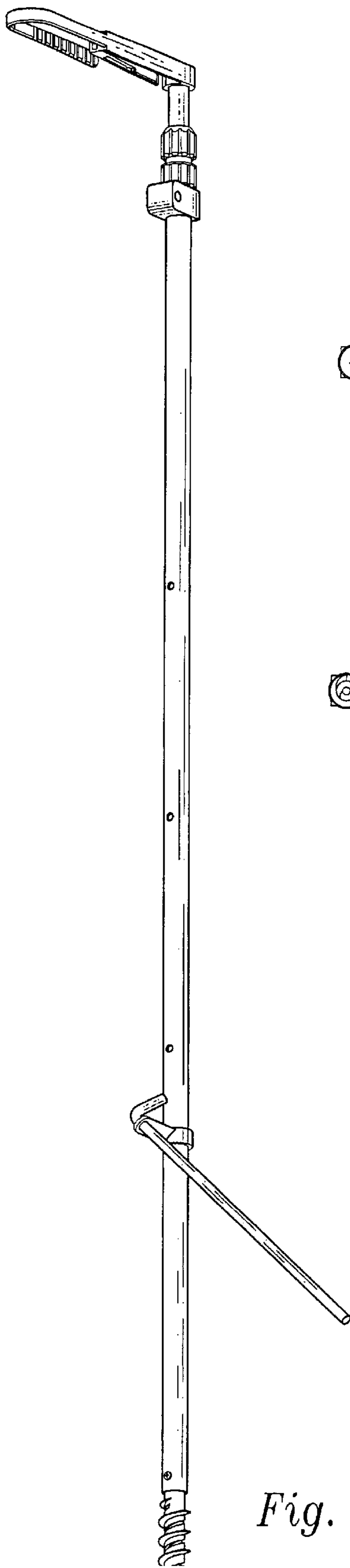
FIG. 7 is a front elevational view, thereof;

FIG. 8 is perspective view, thereof, showing the article a lowered, retracted position, the broken line representation of a short tree and the ground surface being included solely for illustrative purpose, forming no part of the claimed design; and,

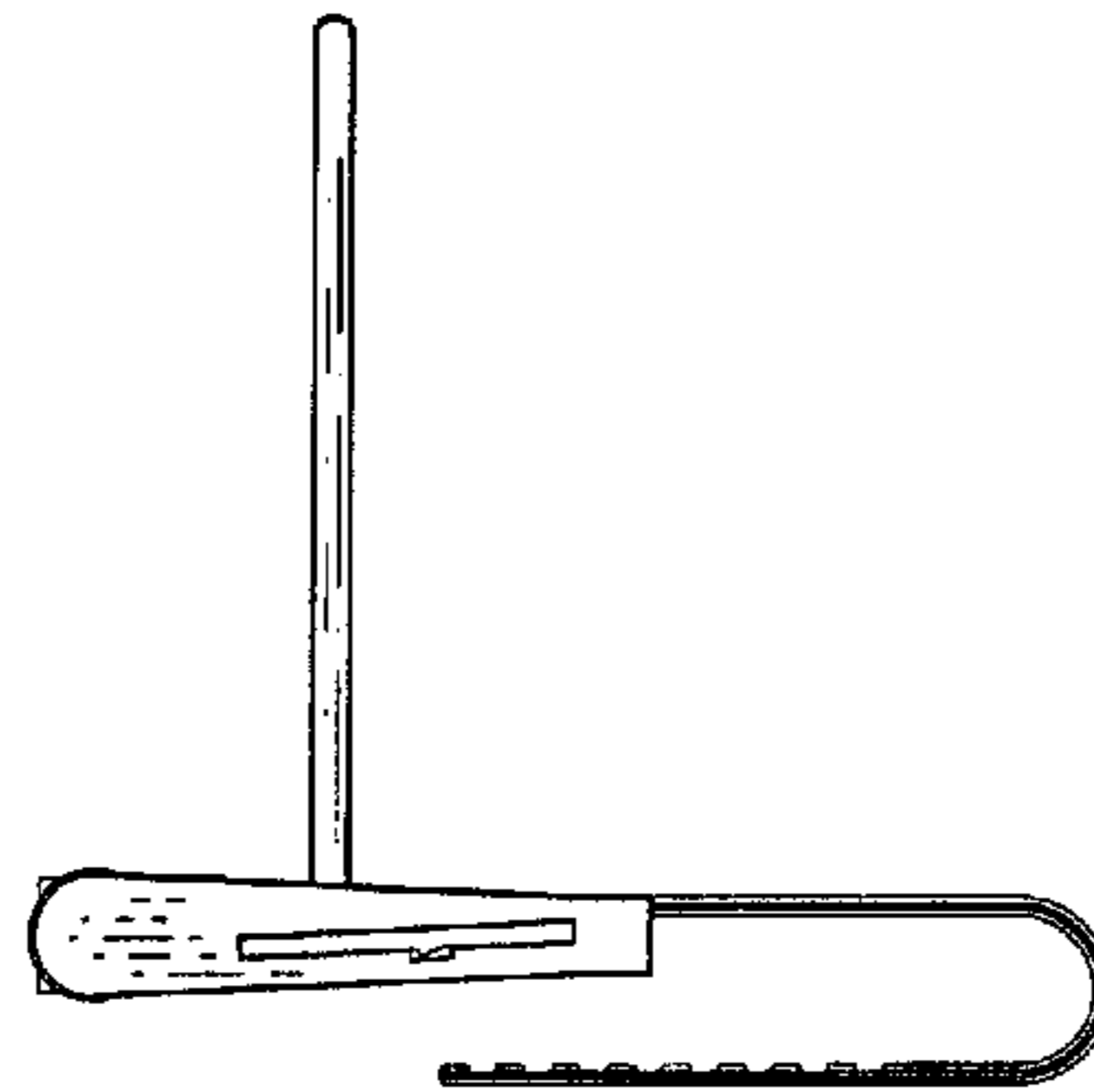
FIG. 9 is a perspective view, as in FIG. 8, but showing the article in a raised, extended position, the broken line representation of a tall tree and the ground surface being included solely for illustrative purpose, forming no part of the claimed design.

**1 Claim, 3 Drawing Sheets**

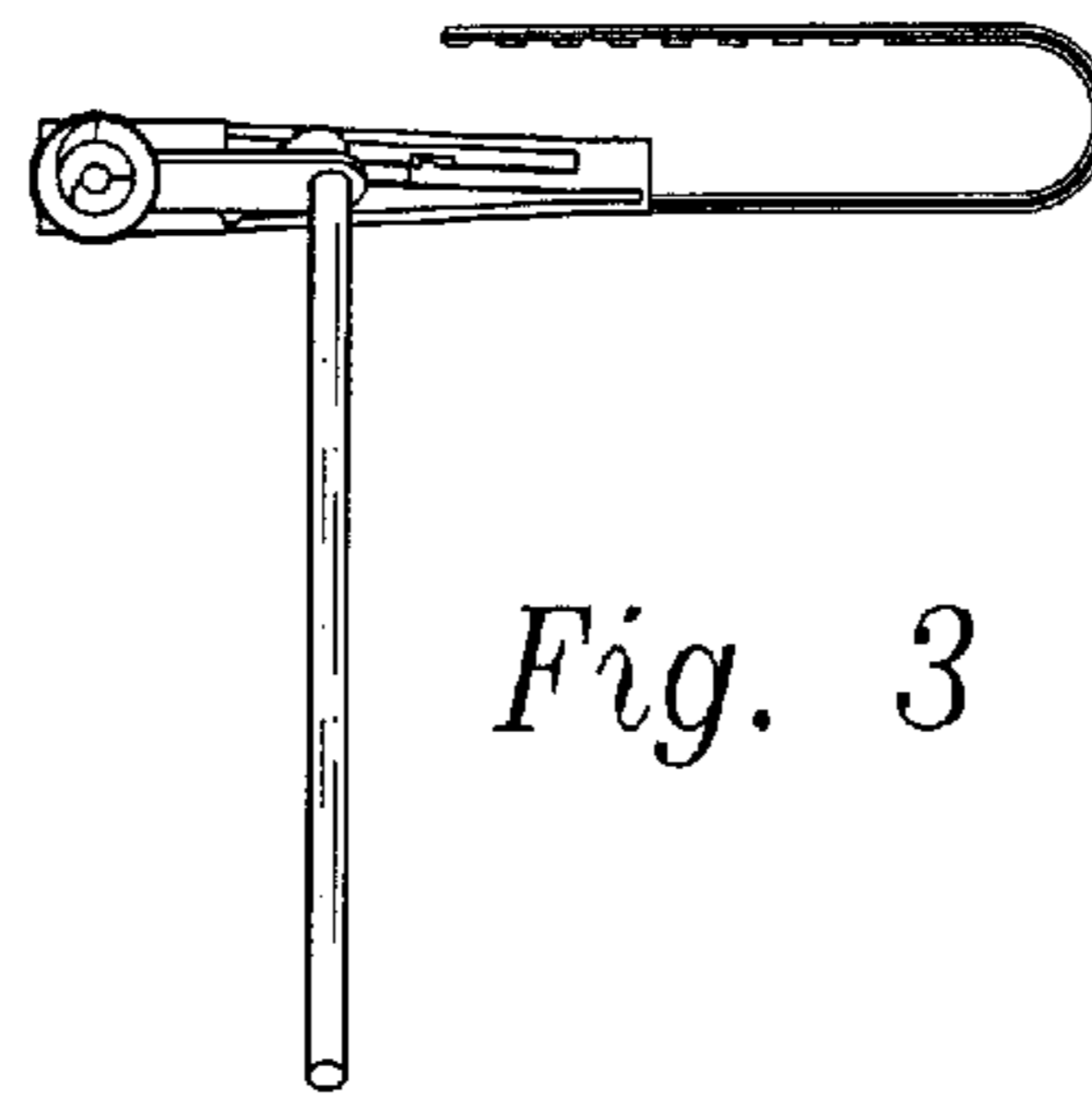




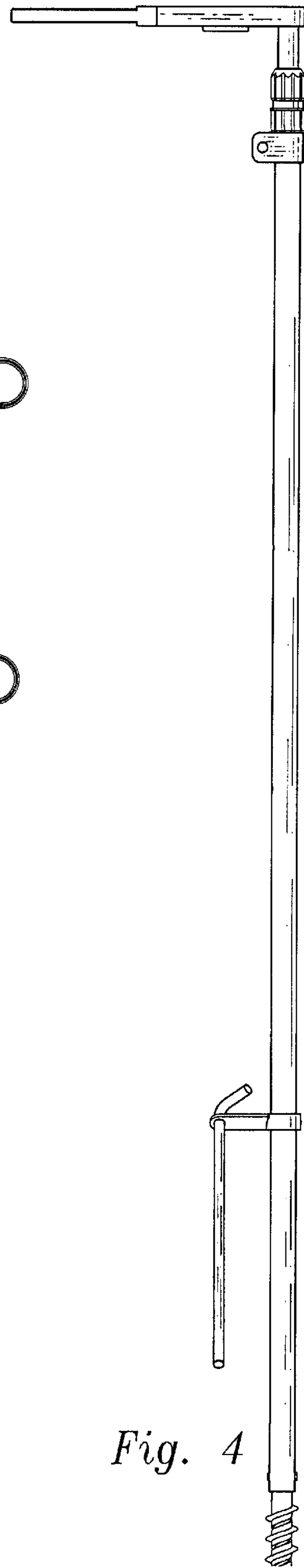
*Fig. 1*



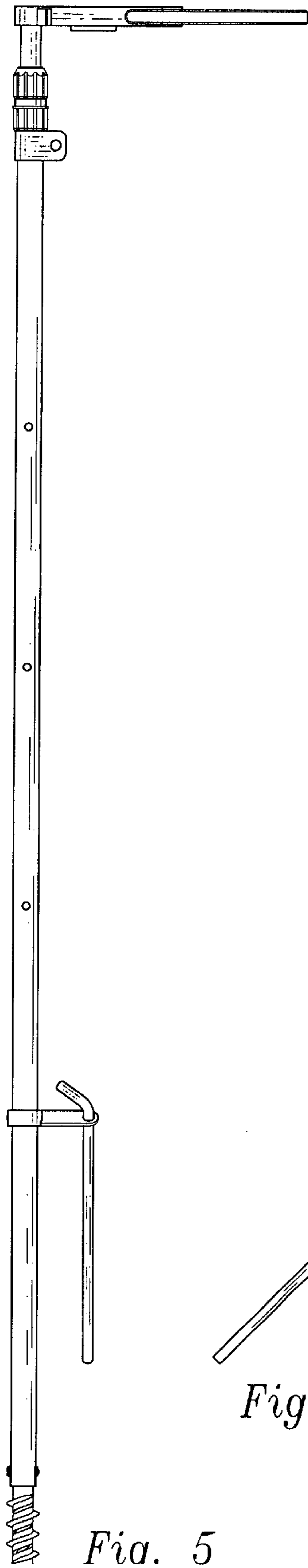
*Fig. 2*



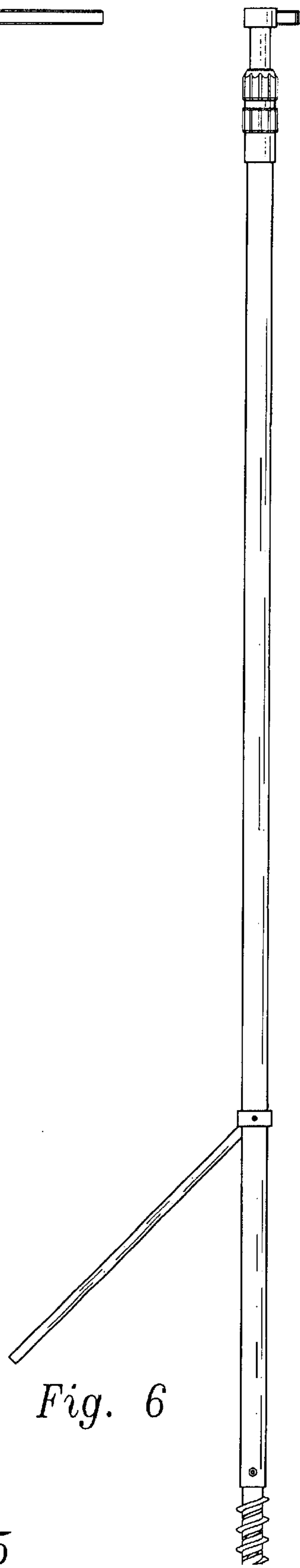
*Fig. 3*



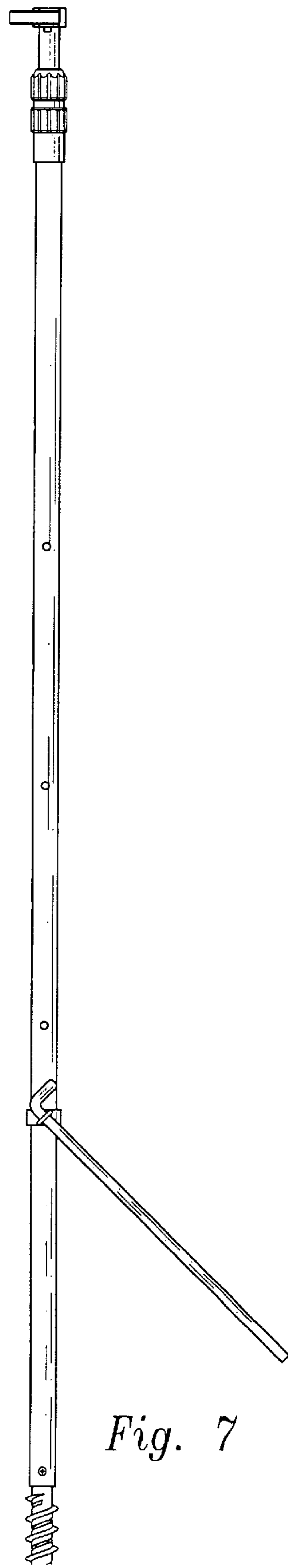
*Fig. 4*



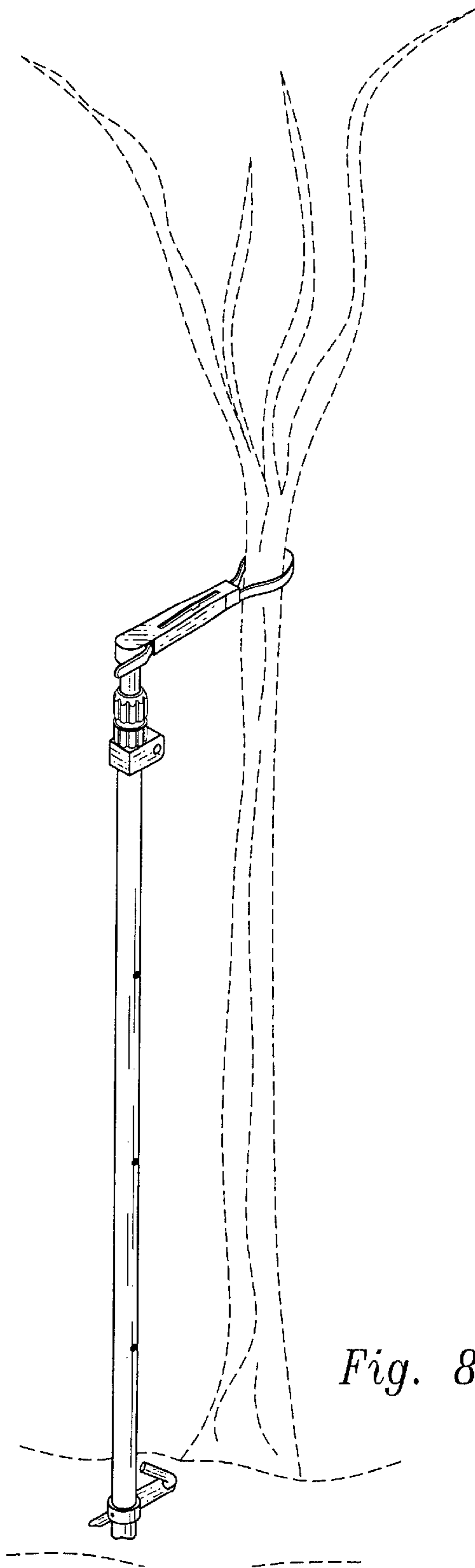
*Fig. 5*



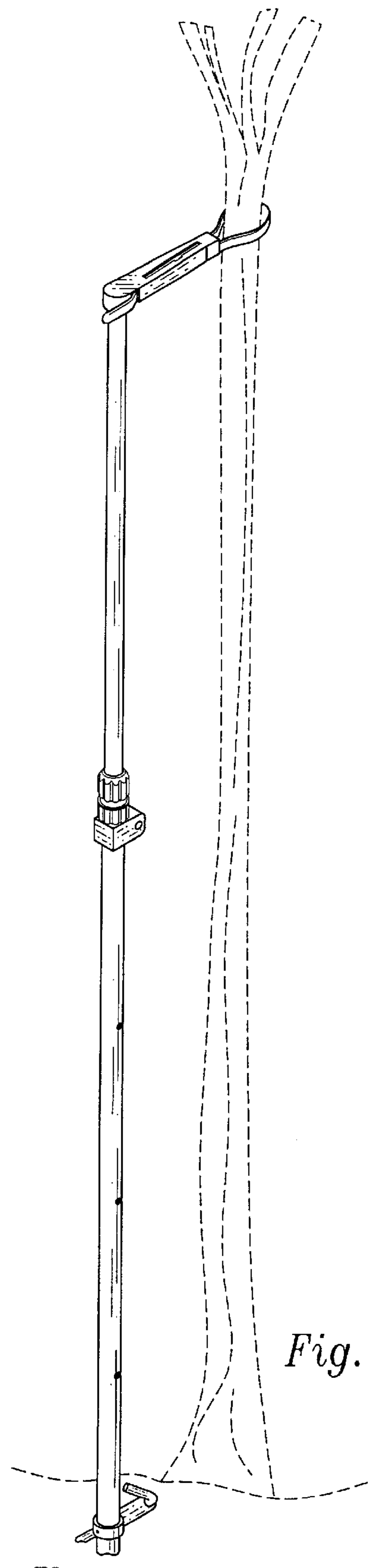
*Fig. 6*



*Fig. 7*



*Fig. 8*



*Fig. 9*