



US00D463714S

(12) **United States Design Patent**
Munari

(10) **Patent No.:** **US D463,714 S**

(45) **Date of Patent:** **** Oct. 1, 2002**

(54) **HANDLE FOR A COOKING VESSEL**

(75) Inventor: **Marco Munari**, Cardano al Campo (IT)

(73) Assignee: **La Termoplastica F.B.M. S.r.L.**, Arsago
Seprio (IT)

(**) Term: **14 Years**

(21) Appl. No.: **29/139,548**

(22) Filed: **Apr. 2, 2001**

(30) **Foreign Application Priority Data**

Oct. 4, 2000 (XH) DM/053 849

(51) **LOC (7) Cl.** **07-02**

(52) **U.S. Cl.** **D7/395**

(58) **Field of Search** D7/393-395, 354-361;
D8/107; 16/110.1, 430, 431

(56) **References Cited**

U.S. PATENT DOCUMENTS

D392,151 S * 3/1998 Munari D7/395

D417,121 S * 11/1999 Brunianyn D7/395

D442,428 S * 5/2001 Munari D7/395

* cited by examiner

Primary Examiner—Terry A. Wallace

(74) *Attorney, Agent, or Firm*—Ladas & Parry

(57) **CLAIM**

The ornamental design for a handle for a cooking vessel,
substantially as shown in the accompanying drawings.

DESCRIPTION

FIG. 1 is a top/side perspective view of my new design
relating to a handle for a cooking vessel;

FIG. 2 is a bottom/side perspective view of my new design;

FIG. 3 is a top plan view of my new design;

FIG. 4 is a left side elevation view of my new design;

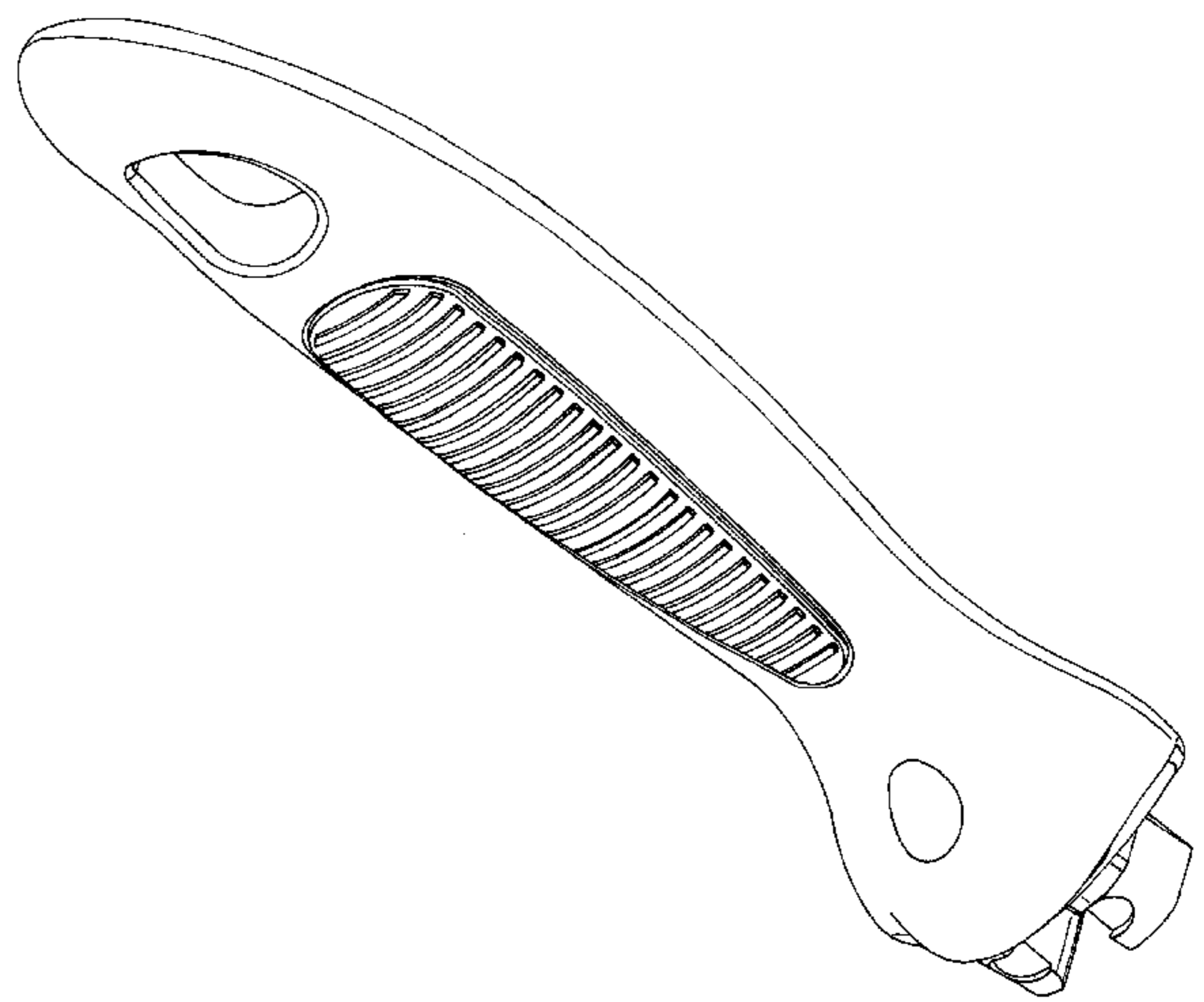
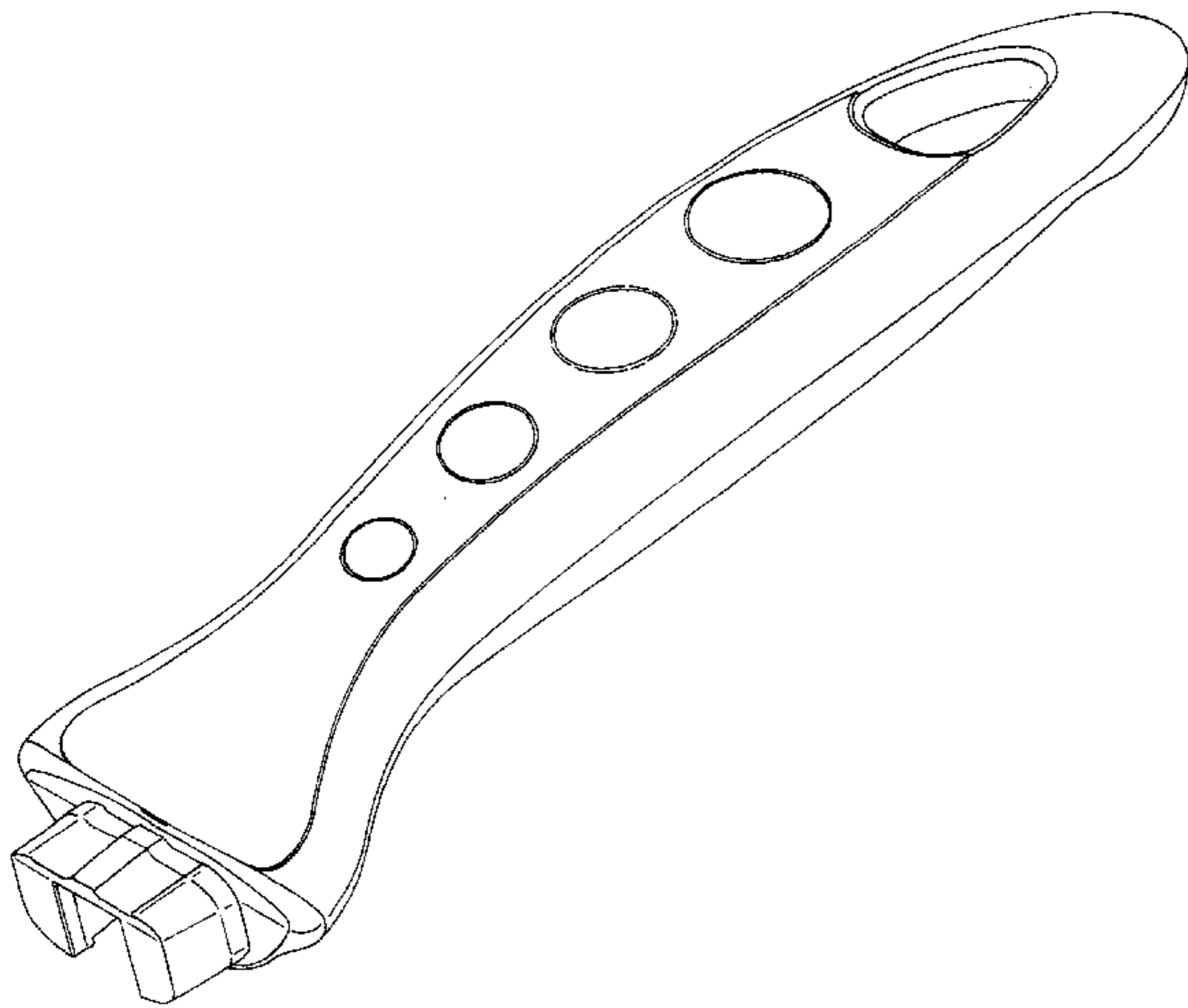
FIG. 5 is a right side elevation view of my new design;

FIG. 6 is a bottom plan view of my new design;

FIG. 7 is a front elevation view of my new design; and,

FIG. 8 is a rear elevation view of my new design.

1 Claim, 3 Drawing Sheets



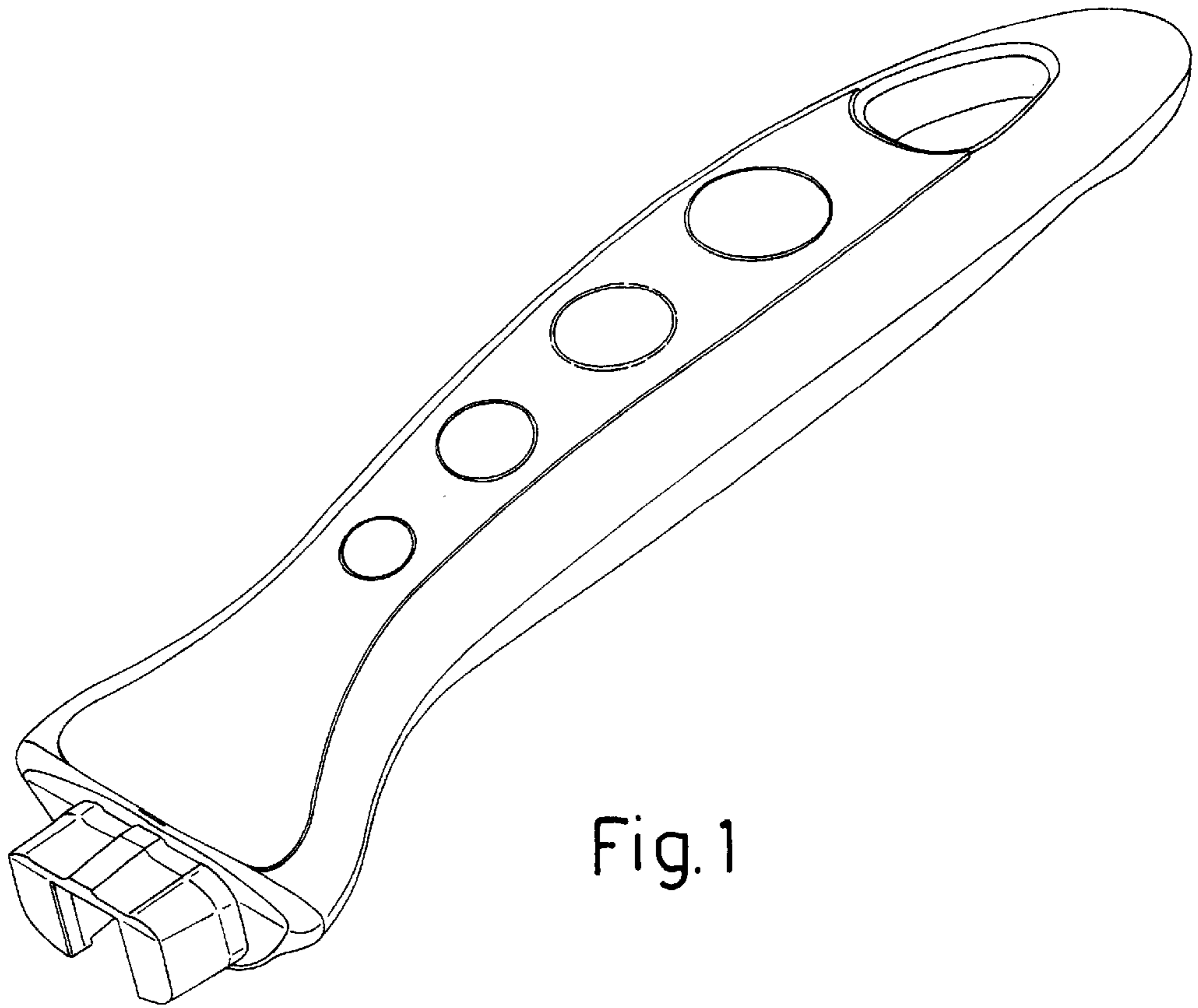


Fig. 1

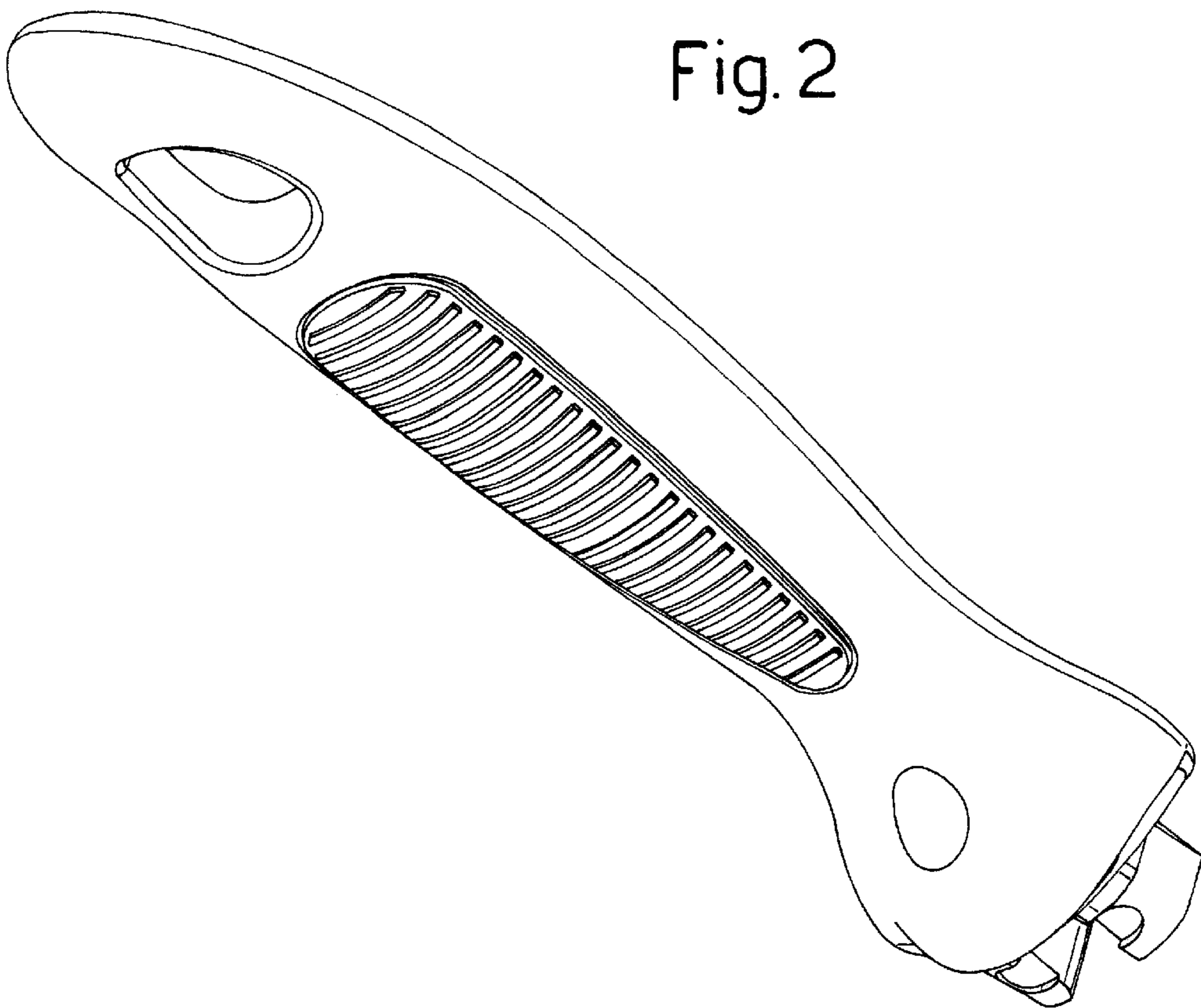


Fig. 2

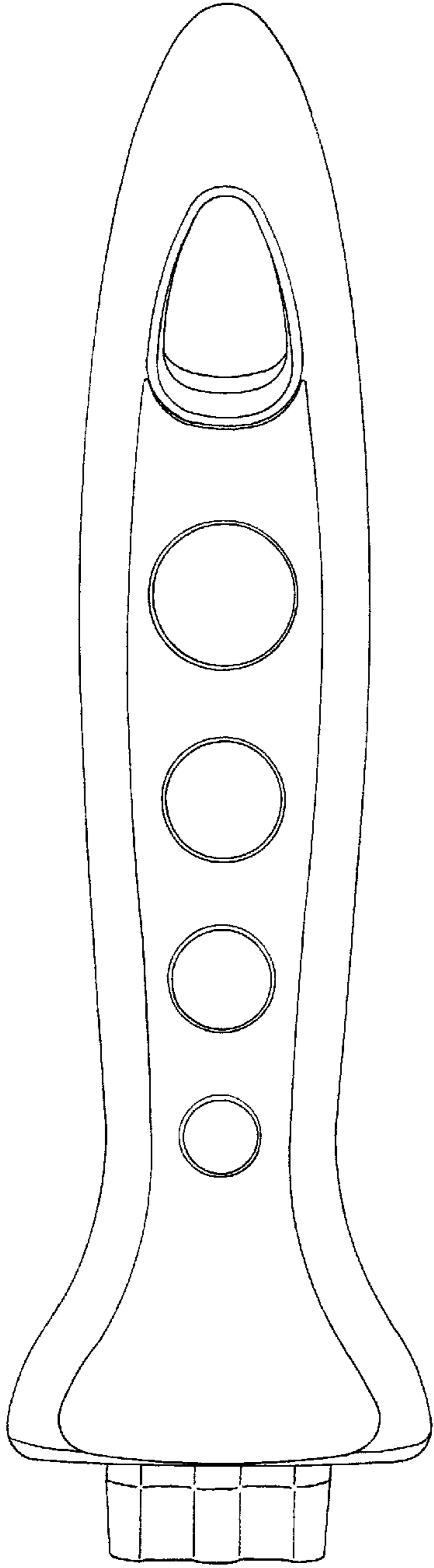


Fig. 3

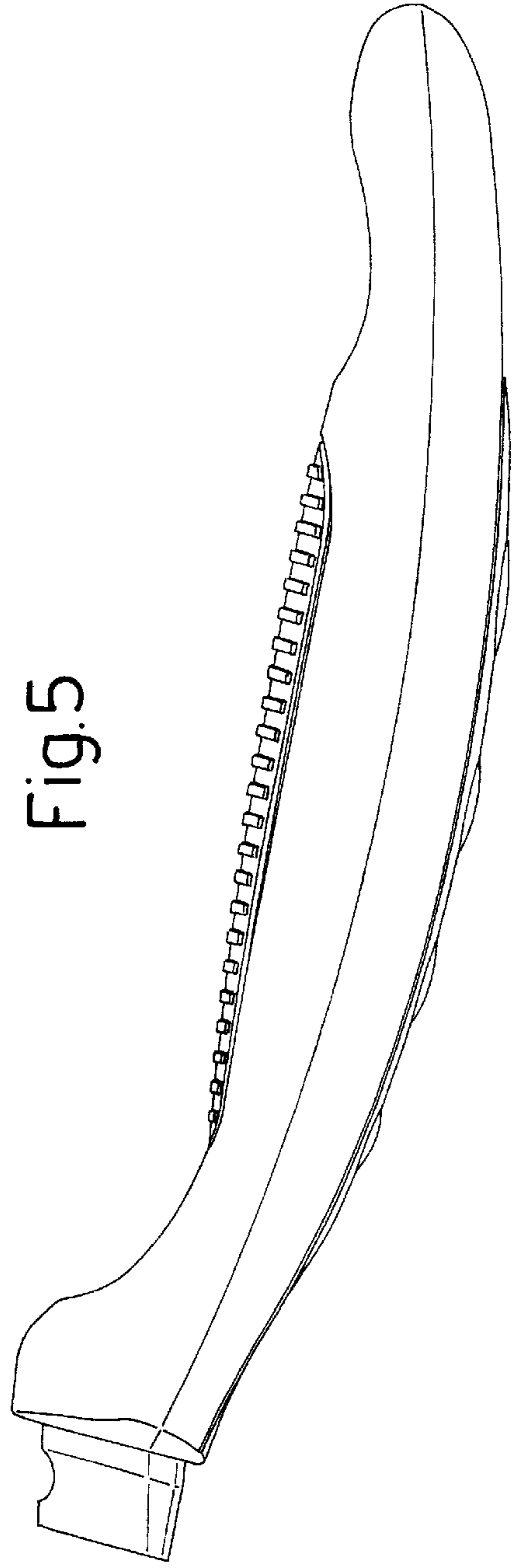


Fig. 5

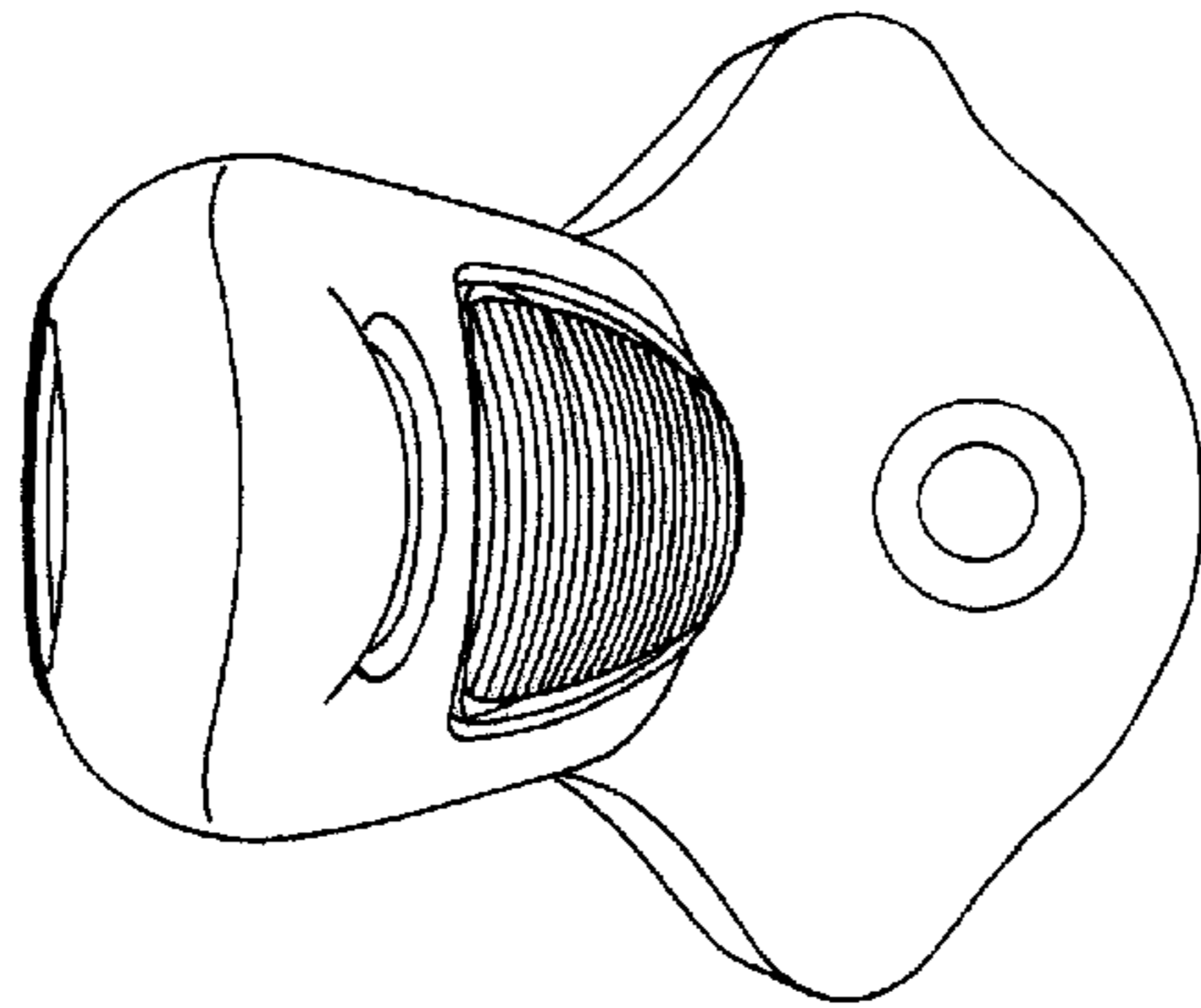


Fig. 7

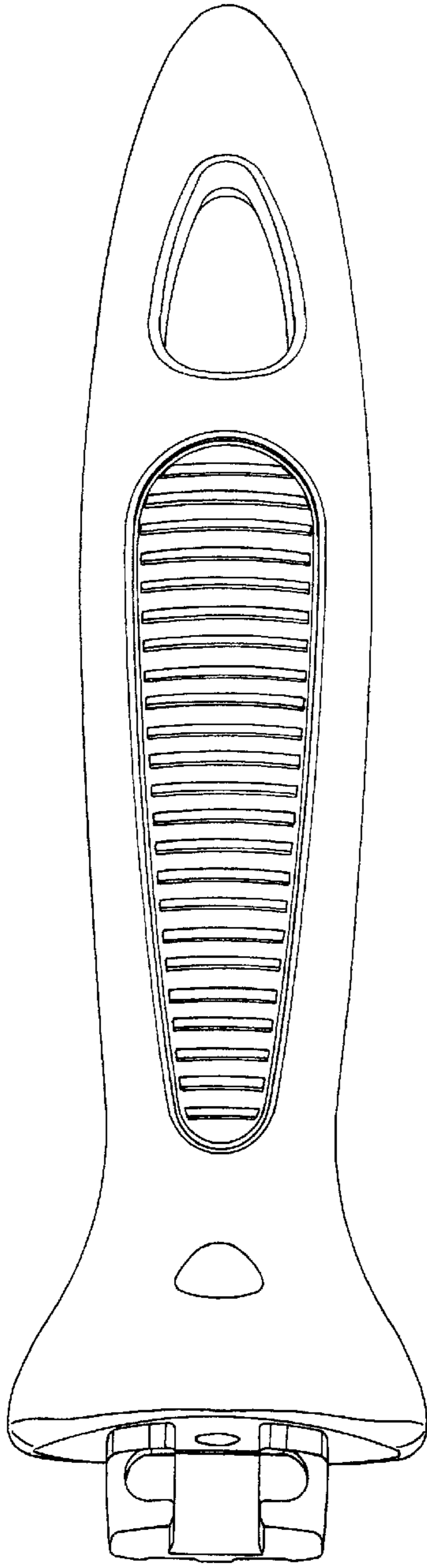


Fig. 6

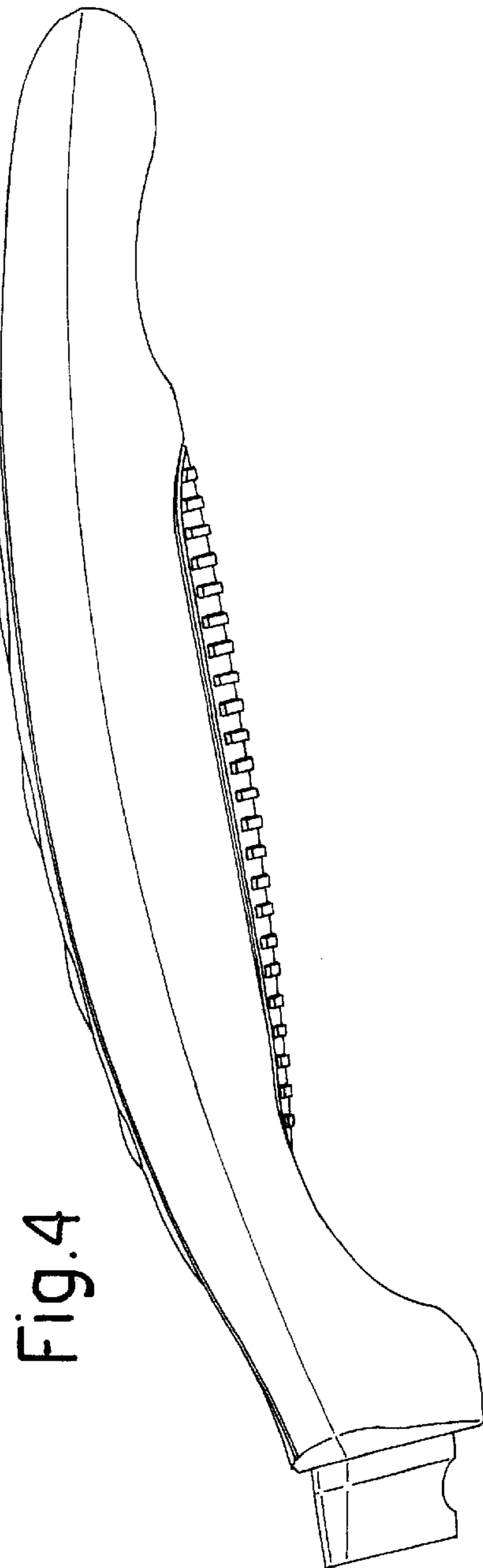


Fig. 4

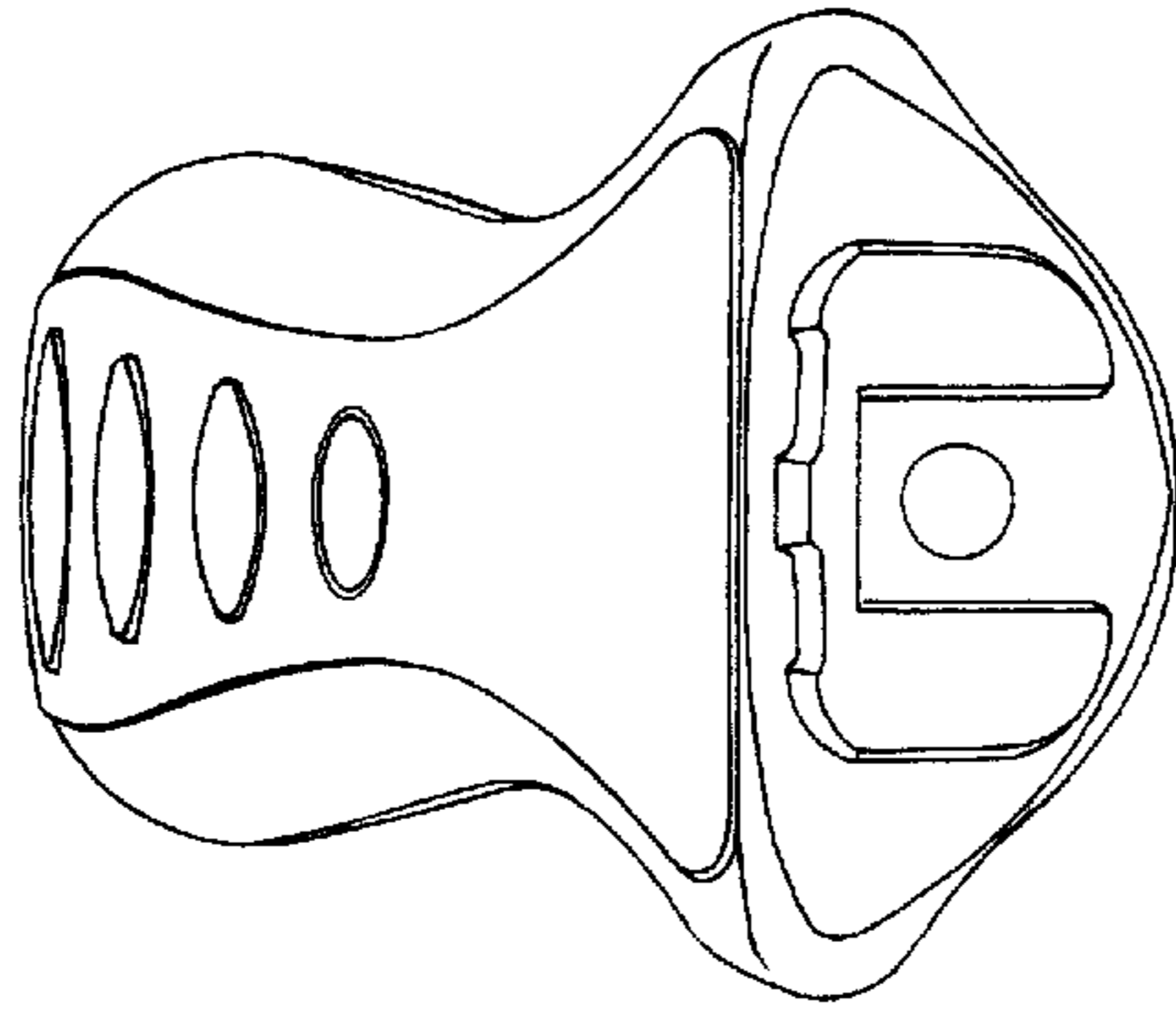


Fig. 8