



US00D463713S

(12) **United States Design Patent** (10) **Patent No.:** **US D463,713 S**
Zhu (45) **Date of Patent:** **** Oct. 1, 2002**

(54) **TRAY FOR A SLICER**
(75) Inventor: **Guangshan Zhu**, Troy, OH (US)
(73) Assignee: **Premark FEG L.L.C.**, Wilmington, DE (US)
(**) Term: **14 Years**
(21) Appl. No.: **29/123,427**
(22) Filed: **May 17, 2000**
(51) **LOC (7) Cl.** **31-00**
(52) **U.S. Cl.** **D7/383**
(58) **Field of Search** D7/381, 383, 412, D7/555; D13/107; 99/353; 83/703, 704, 707, 523, 544-546, 58, 42, 399, 478, 397, 397.1

4,685,364 A 8/1987 Schefflow et al. 83/68
4,763,738 A 8/1988 Kuchler 177/80
4,813,316 A 3/1989 Johnson et al. 83/42
5,121,554 A 6/1992 Havins 33/640
5,241,885 A 9/1993 Kuchler 83/76.7
5,245,898 A 9/1993 Somal et al. 83/58
5,509,337 A 4/1996 Norman et al. 83/546
5,615,591 A 4/1997 Scherch et al. 83/399
5,687,626 A 11/1997 Scherch et al. 83/719
D418,012 S * 12/1999 Van Dullemen et al. D7/383
D424,867 S * 5/2000 Van Dullemen D7/383
6,209,438 B1 4/2001 Mitchell et al.

FOREIGN PATENT DOCUMENTS

DE 1196985 7/1965
DE 2749652 5/1979
DE 3201520 A1 7/1983
GB 2090122 A 7/1982

OTHER PUBLICATIONS

Declaration of Guangshan Zhu (executed Jun. 7, 2001).
Declaration of Danny J. Mitchell and Neal H. Blackburn (executed Jun. 6, and Jun. 25, 2001).

* cited by examiner

Primary Examiner—Caron D. Veynar
(74) *Attorney, Agent, or Firm*—Thompson Hine LLP

(56) **References Cited**
U.S. PATENT DOCUMENTS

1,518,474 A 12/1924 Wile
2,004,603 A 6/1935 Folk 146/102
2,010,944 A 8/1935 Campbell 146/102
2,086,759 A 7/1937 Wood 146/102
2,136,792 A 11/1938 Folk 146/102
2,402,519 A 6/1946 Wood 146/102
2,573,860 A 11/1951 Meeker et al. 146/102
2,744,554 A 5/1956 King 146/102
2,970,623 A 2/1961 Lundell 146/102
D190,051 S * 4/1961 Lundell D7/383
3,159,196 A 12/1964 Engi 146/102
3,704,736 A 12/1972 Pratley 83/397
3,927,588 A 12/1975 Laderach 83/15
3,972,256 A 8/1976 Ross 83/155
3,974,725 A 8/1976 Boots 83/100
4,038,892 A 8/1977 Popeil 83/4
4,070,941 A 1/1978 Lorenz 83/478
4,217,650 A 8/1980 Kuchler 364/567
4,246,818 A 1/1981 McGraw, Jr. 83/478
4,318,321 A 3/1982 De Mattos 83/71
4,379,416 A 4/1983 Kuchler 83/23
D269,347 S 6/1983 Cantatore et al. D7/383
4,397,206 A 8/1983 Czala 83/399
4,541,319 A 9/1985 Maurer et al. 83/707
4,598,618 A 7/1986 Kuchler 83/77
4,598,620 A 7/1986 Flammann 83/399

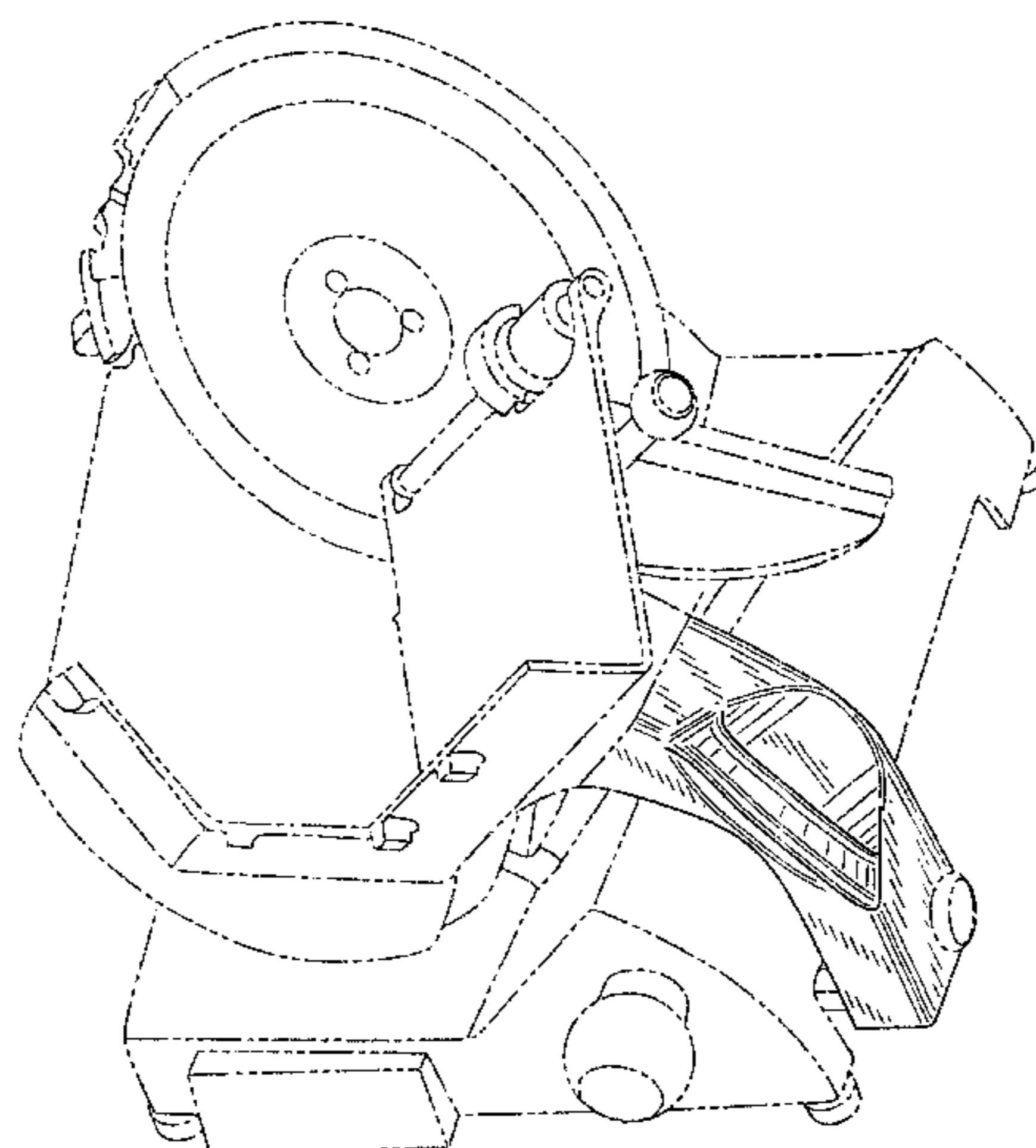
(57) **CLAIM**

The ornamental design for a tray for a slicer, as shown and described.

DESCRIPTION

FIG. 1 is a perspective view of the tray for a slicer shown in conjunction with a slicer;
FIG. 2 is a left side view of the tray for a slicer of FIG. 1;
FIG. 3 is a right side view of the tray for a slicer of FIG. 1;
FIG. 4 is a rear view of the tray for a slicer of FIG. 1;
FIG. 5 is a front view of the tray for a slicer of FIG. 1;
FIG. 6 is a top view of the tray for a slicer of FIG. 1; and,
FIG. 7 is a bottom view of the tray for a slicer of FIG. 1.
The broken line portions of the drawings are for illustrative purposes only and do not constitute part of the claimed design.

1 Claim, 6 Drawing Sheets



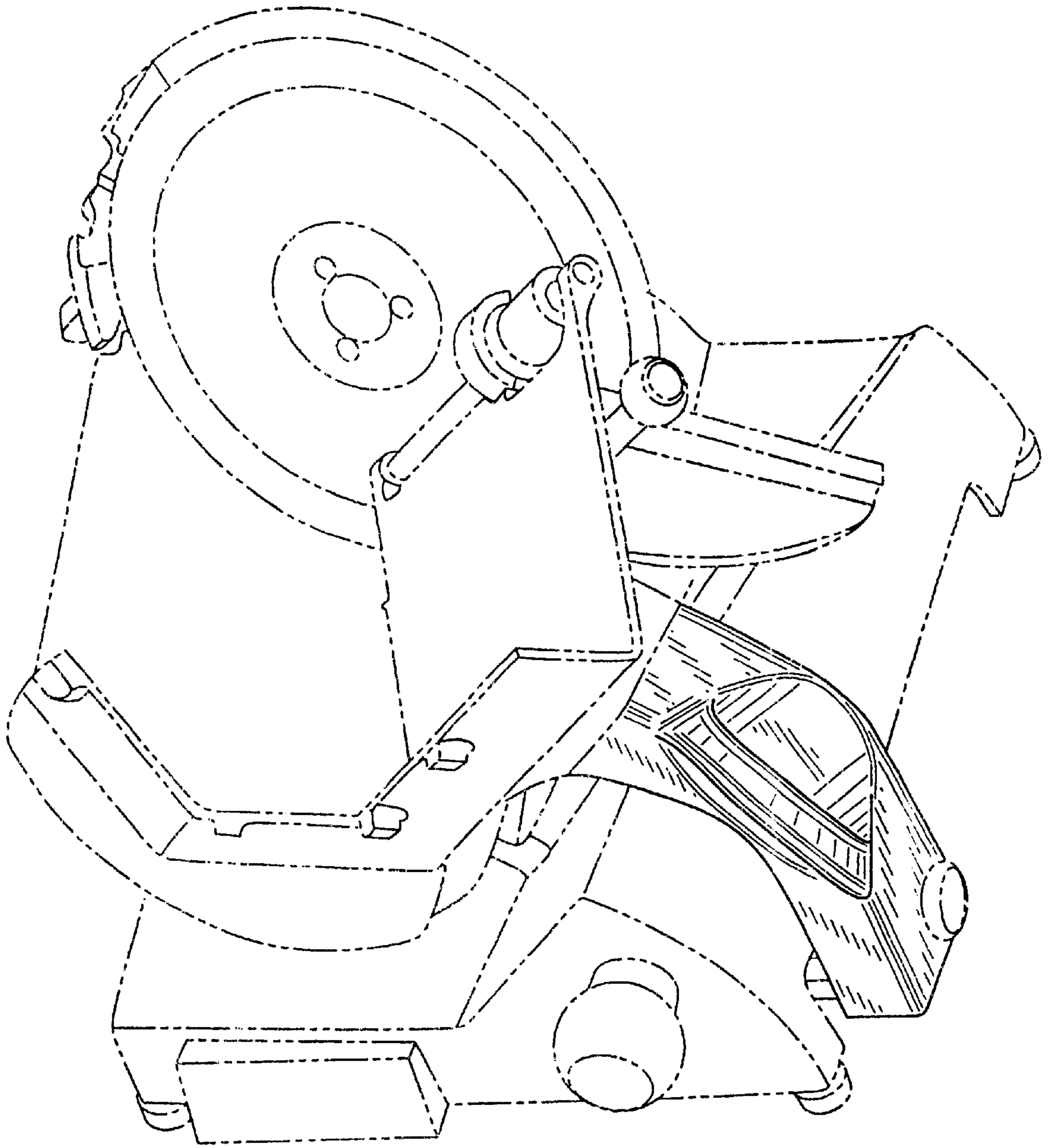


FIG. 1

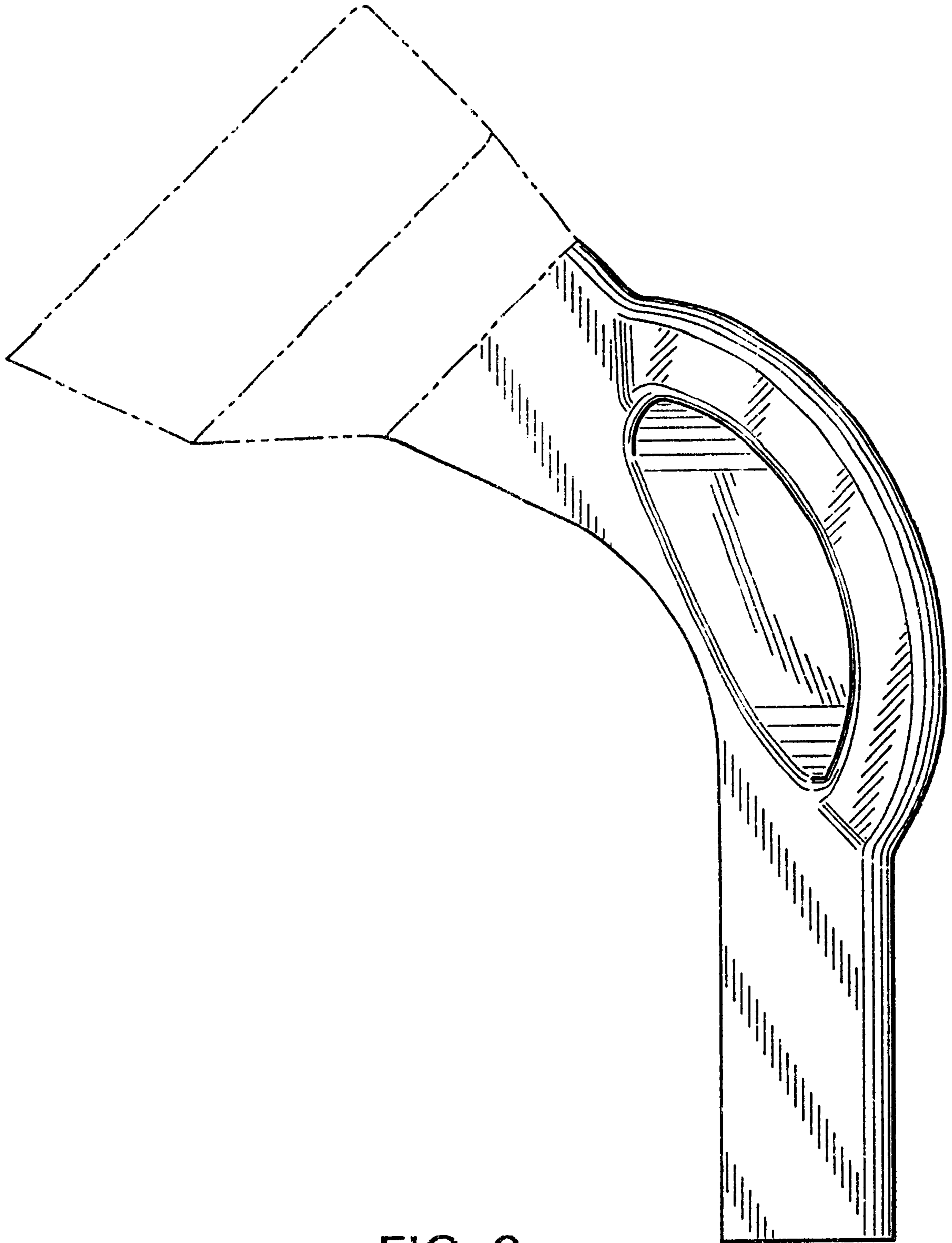


FIG. 2

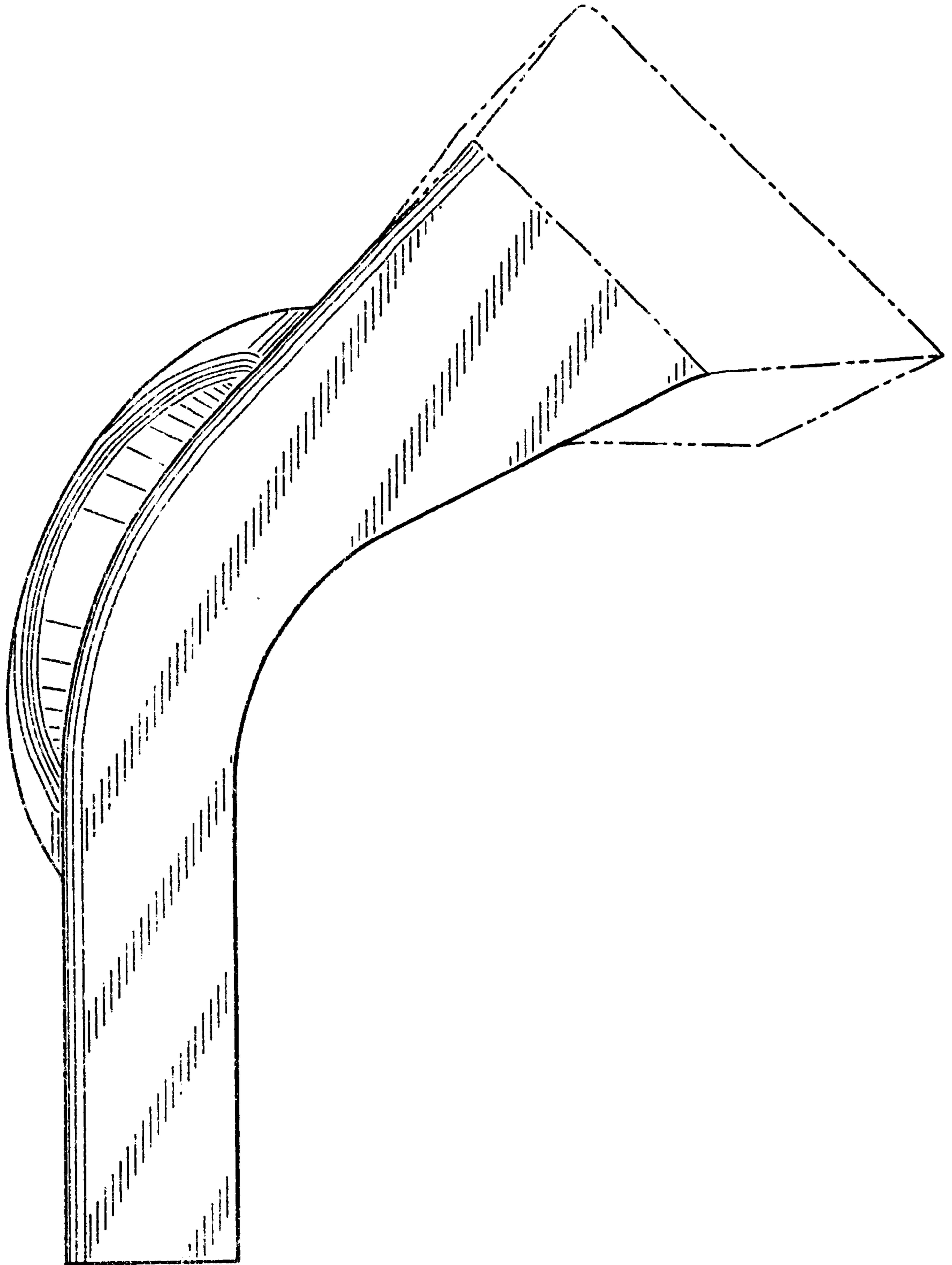


FIG. 3

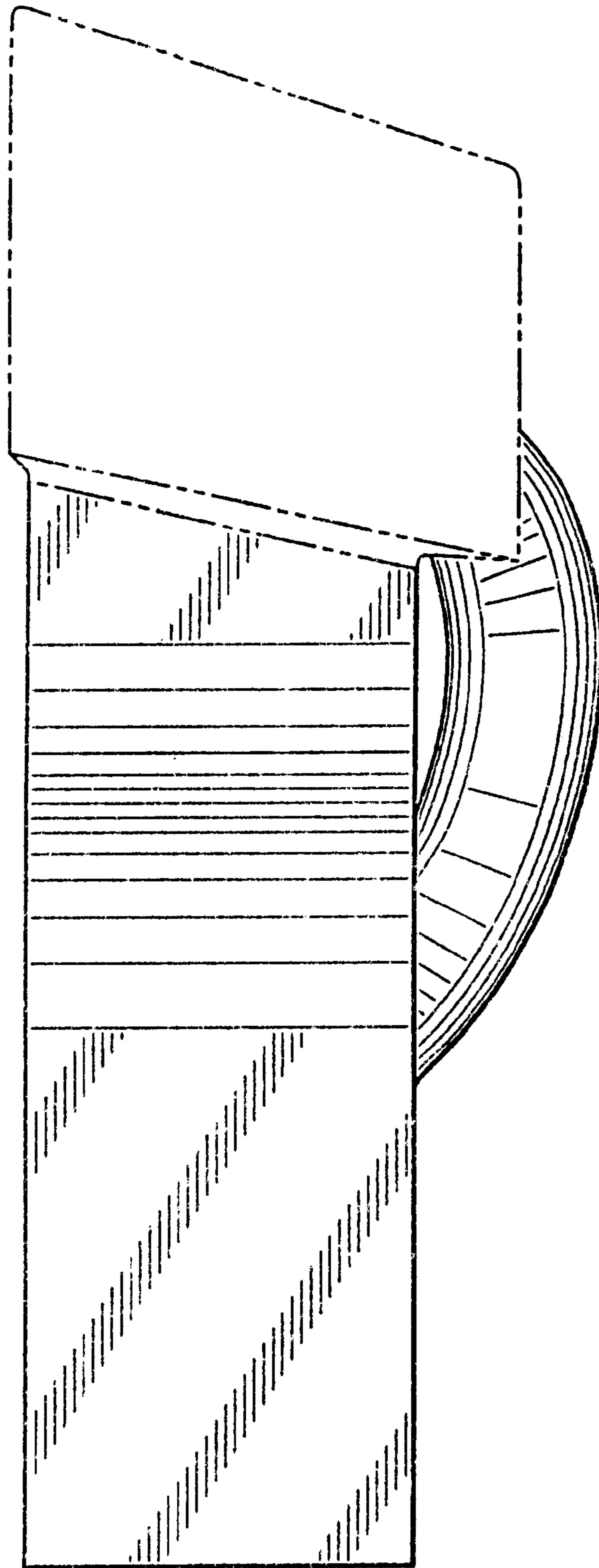


FIG. 4

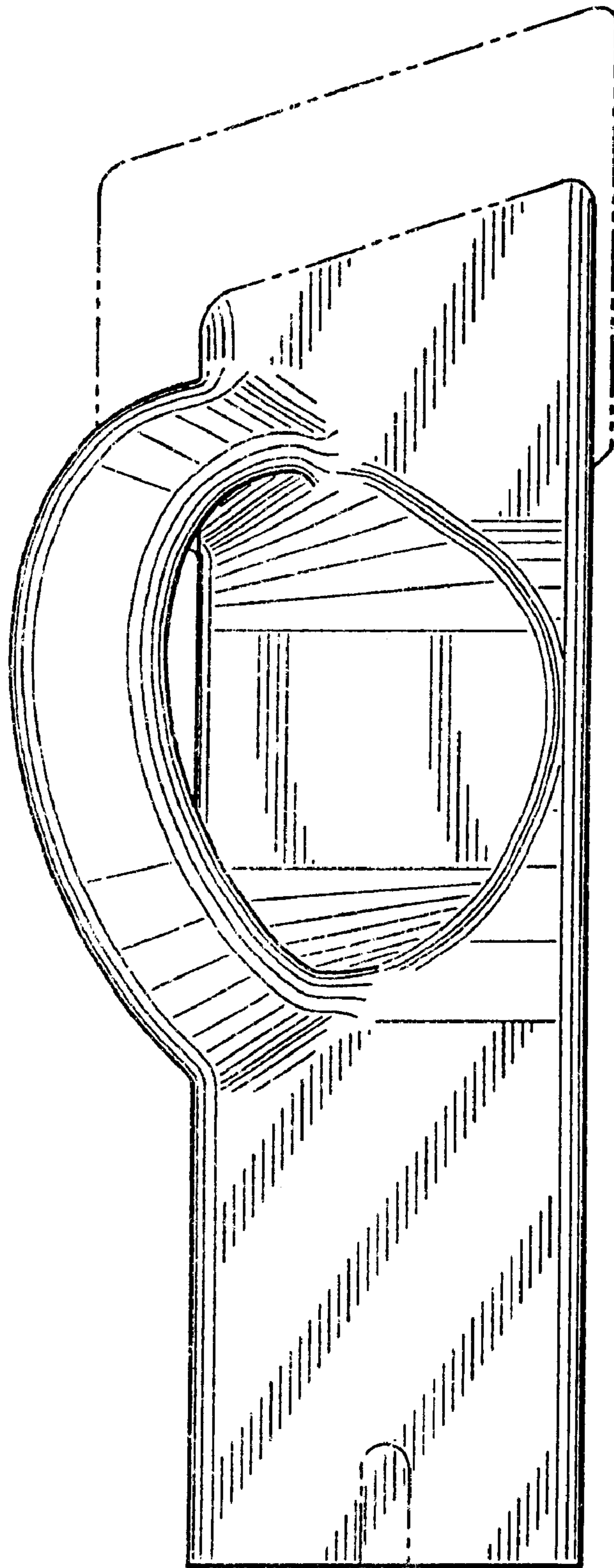


FIG. 5

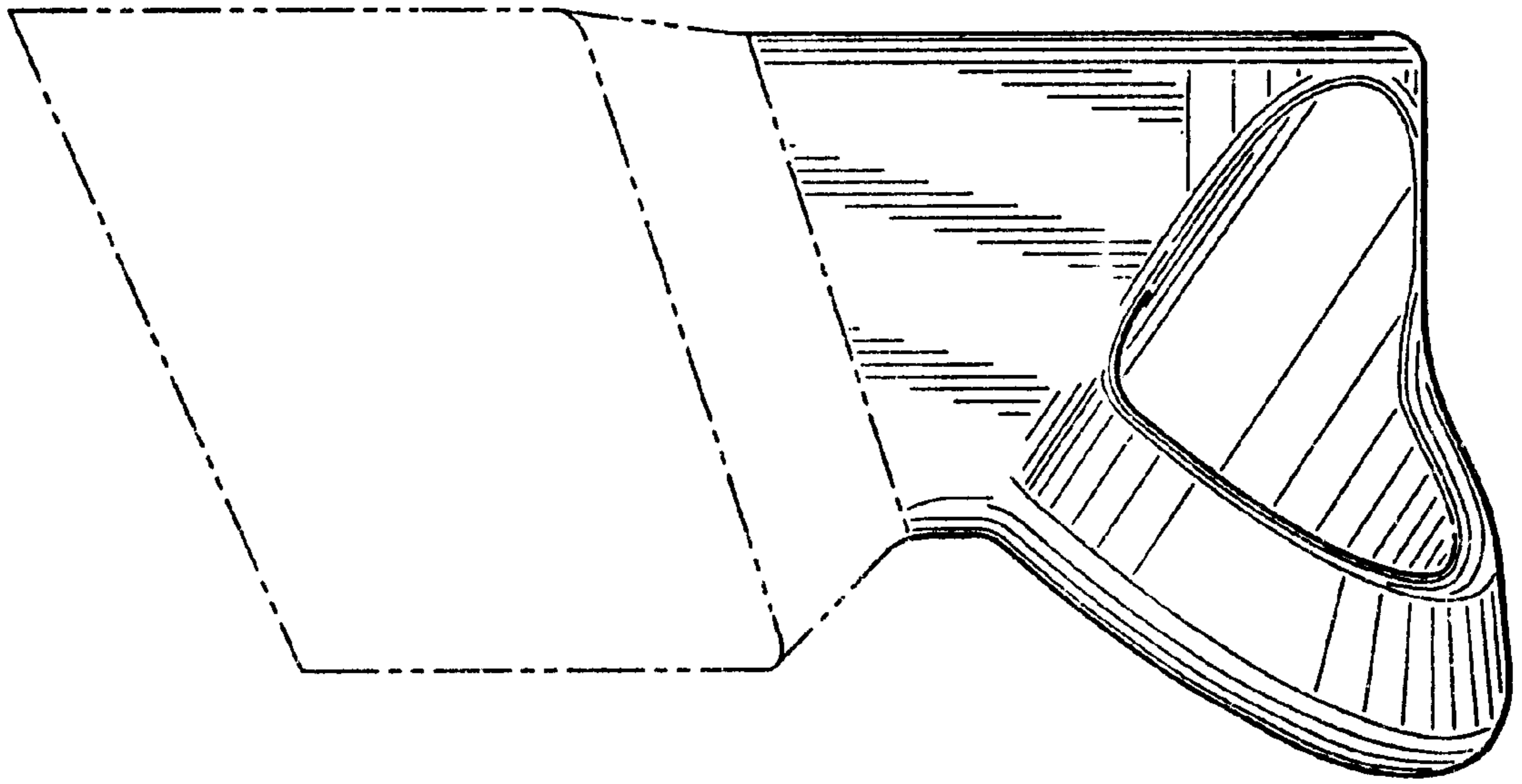


FIG. 6

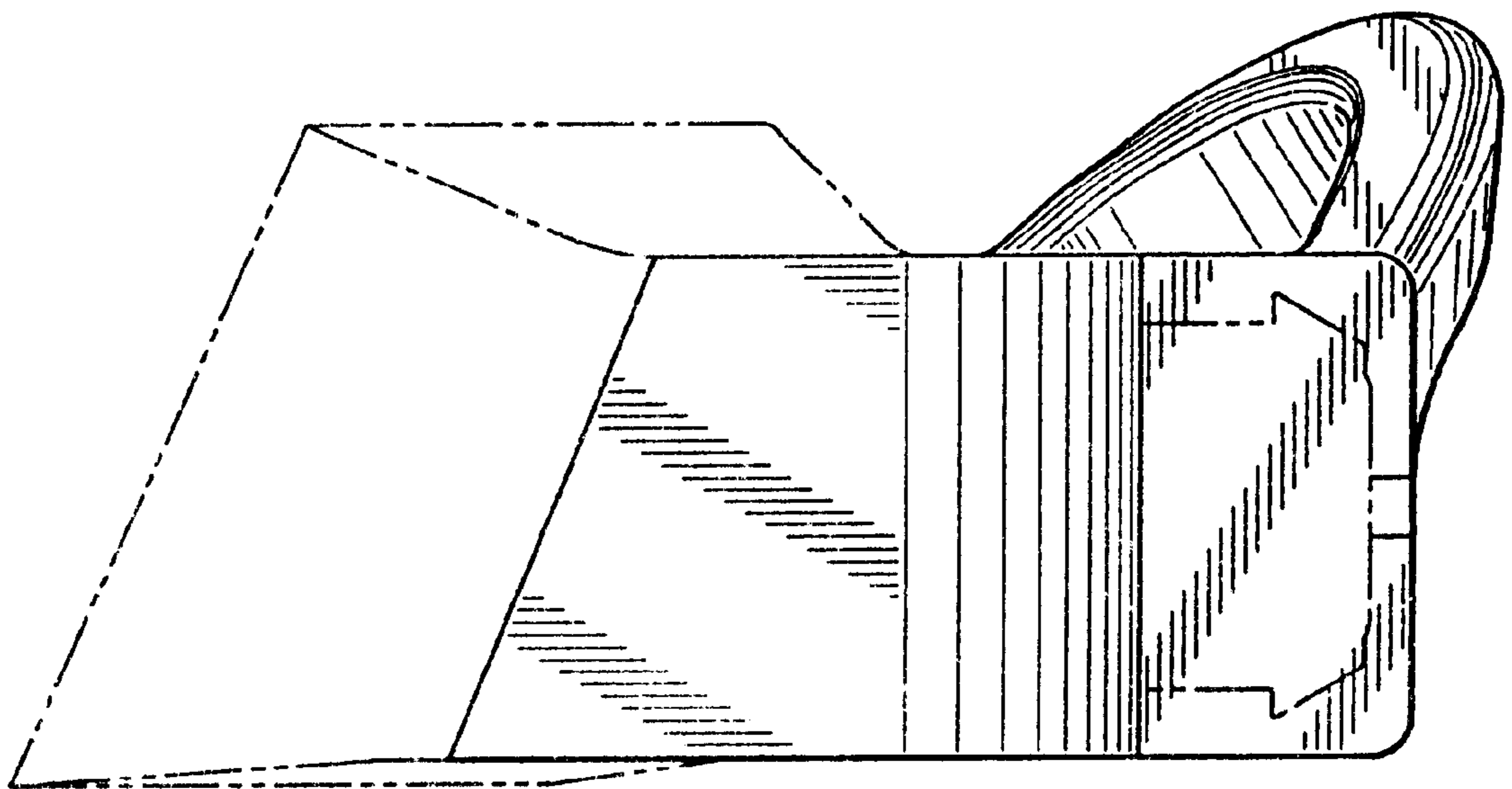


FIG. 7