



US00D463712S

(12) **United States Design Patent**  
**Josancy**

(10) **Patent No.:** **US D463,712 S**

(45) **Date of Patent:** **\*\* Oct. 1, 2002**

(54) **STEAMER**

(75) Inventor: **Luc Josancy**, Sainte Colombe (FR)

(73) Assignee: **SEB**, Selongey (FR)

(\*\*) Term: **14 Years**

(21) Appl. No.: **29/142,696**

(22) Filed: **Jun. 1, 2001**

(30) **Foreign Application Priority Data**

Dec. 1, 2000 (FR) ..... 00 7199

(51) **LOC (7) Cl.** ..... **07-02**

(52) **U.S. Cl.** ..... **D7/356**

(58) **Field of Search** ..... D7/323, 354-361;  
99/324, 325, 410, 339, 395, 422; 126/20,  
19 R, 275 R, 275 E, 377, 369; 220/912,  
573.1

(56) **References Cited**

**U.S. PATENT DOCUMENTS**

D381,553 S \* 7/1997 Candianides ..... D7/356  
D396,600 S \* 8/1998 Otero ..... D7/356

D402,848 S \* 12/1998 Piret ..... D7/356  
D404,244 S \* 1/1999 Jozancy ..... D7/354  
D408,210 S \* 4/1999 Su ..... D7/323  
D435,392 S \* 12/2000 Jo ..... D7/356  
D449,958 S \* 11/2001 Liu ..... D7/356

\* cited by examiner

*Primary Examiner*—Caron D. Veynar

(74) *Attorney, Agent, or Firm*—Browdy and Neimark

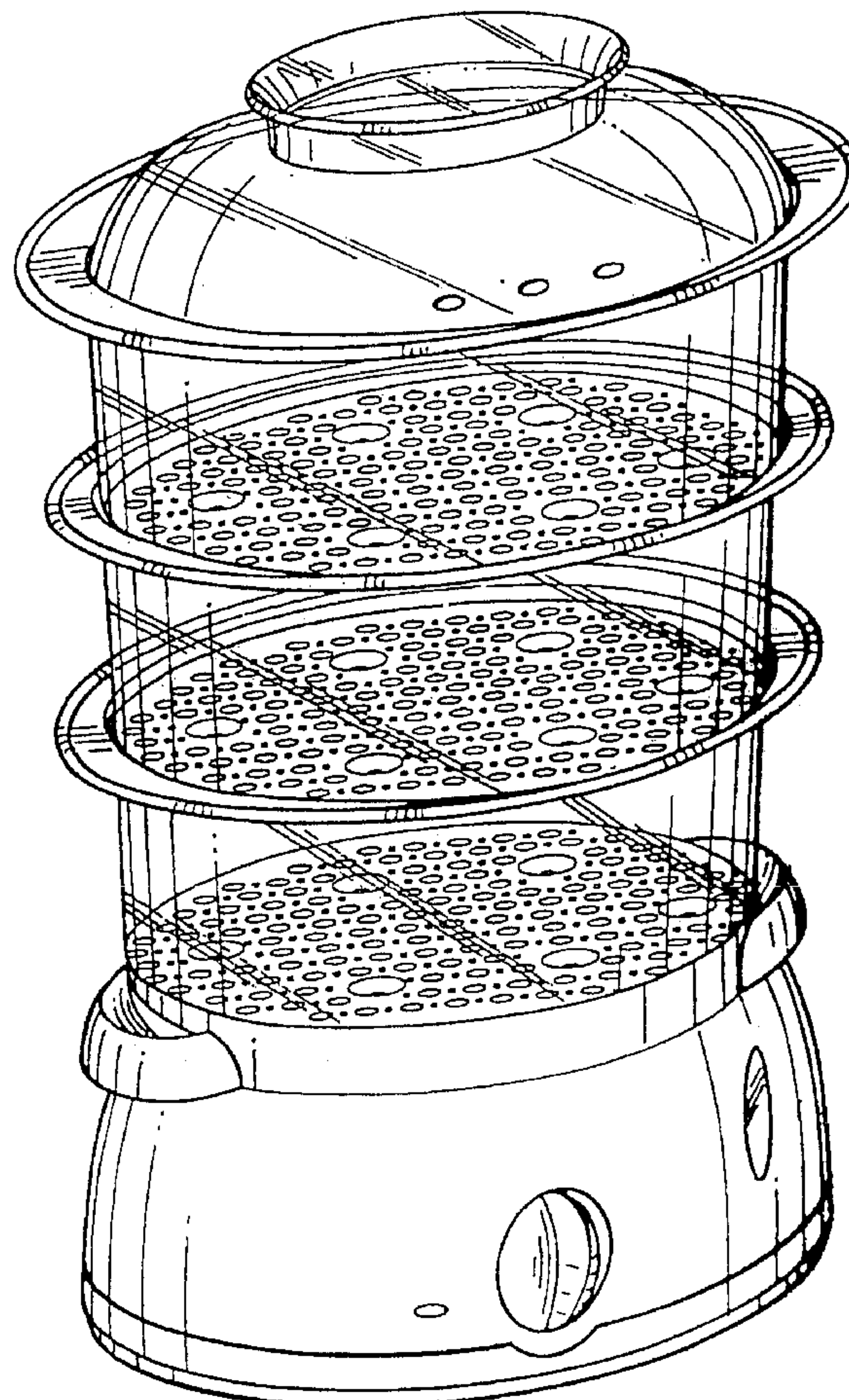
(57) **CLAIM**

The ornamental design for a steamer, as shown and described.

**DESCRIPTION**

FIG. 1 is a front elevational view of a steamer in accordance with the present design;  
FIG. 2 is a back elevational view thereof;  
FIG. 3 is a left elevational view thereof;  
FIG. 4 is a right elevational view thereof;  
FIG. 5 is a top plan view thereof;  
FIG. 6 is a bottom plan view thereof; and,  
FIG. 7 is a perspective view thereof.

**1 Claim, 7 Drawing Sheets**



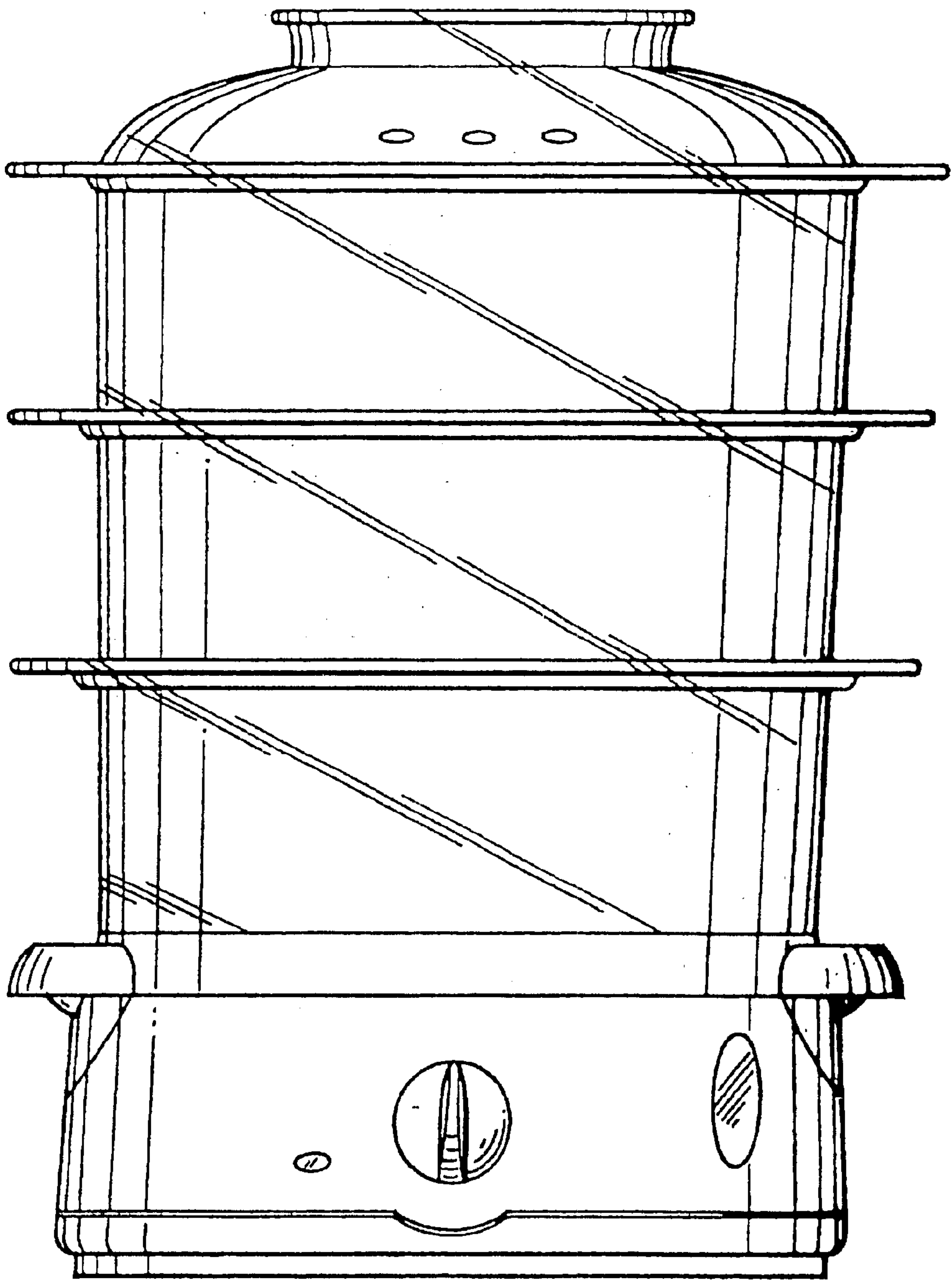


FIG. 1

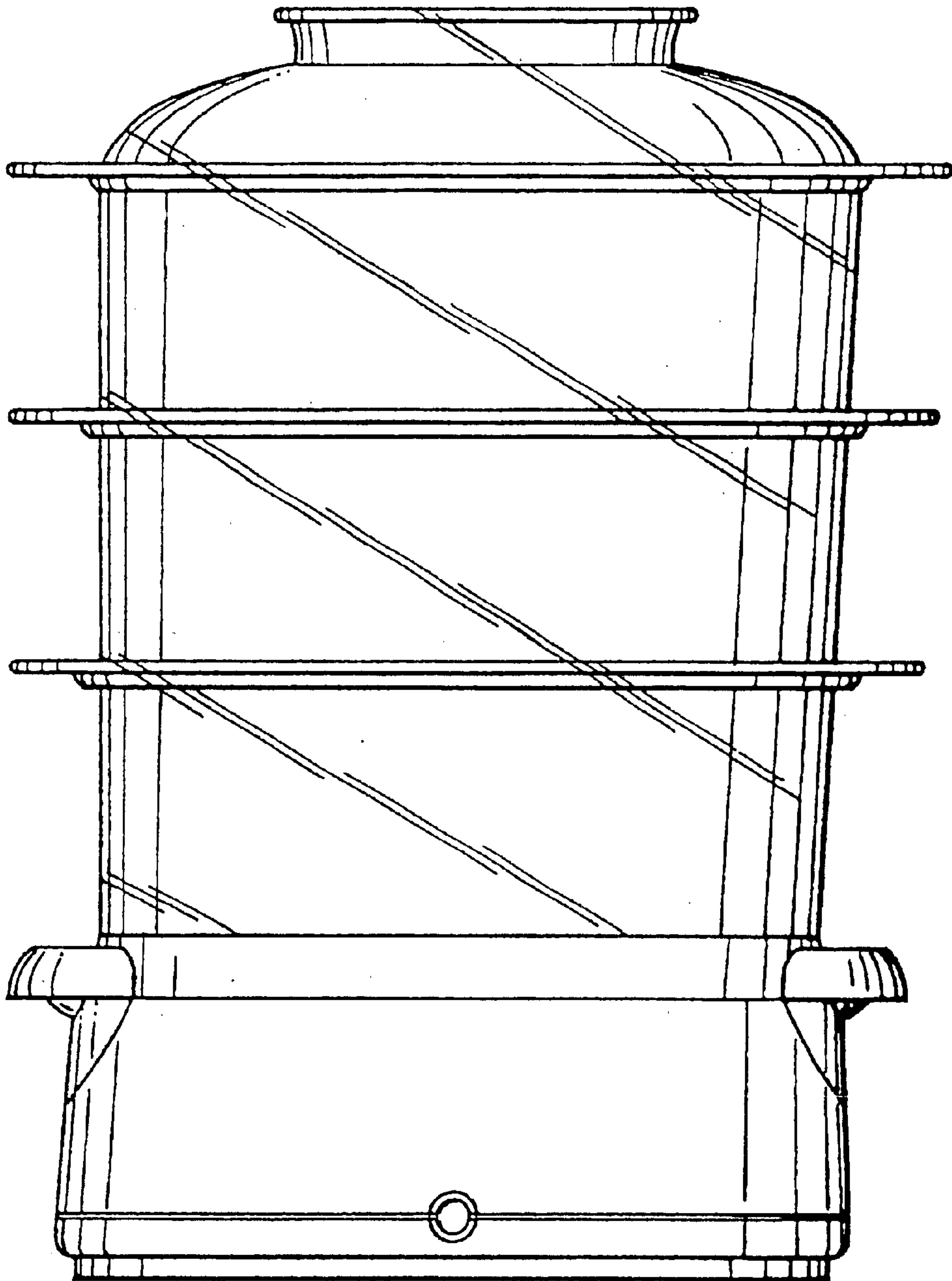


FIG. 2

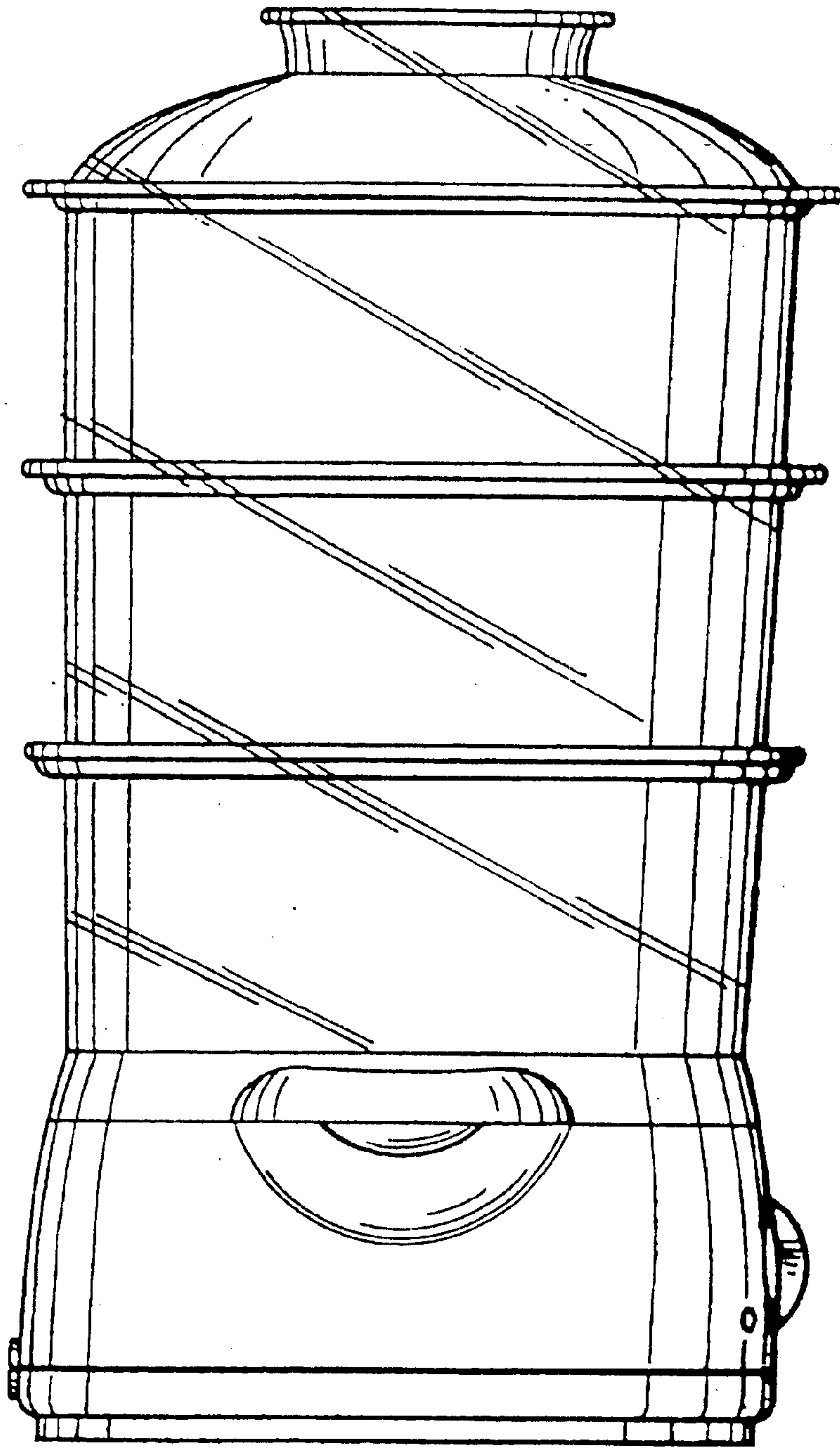


FIG. 3



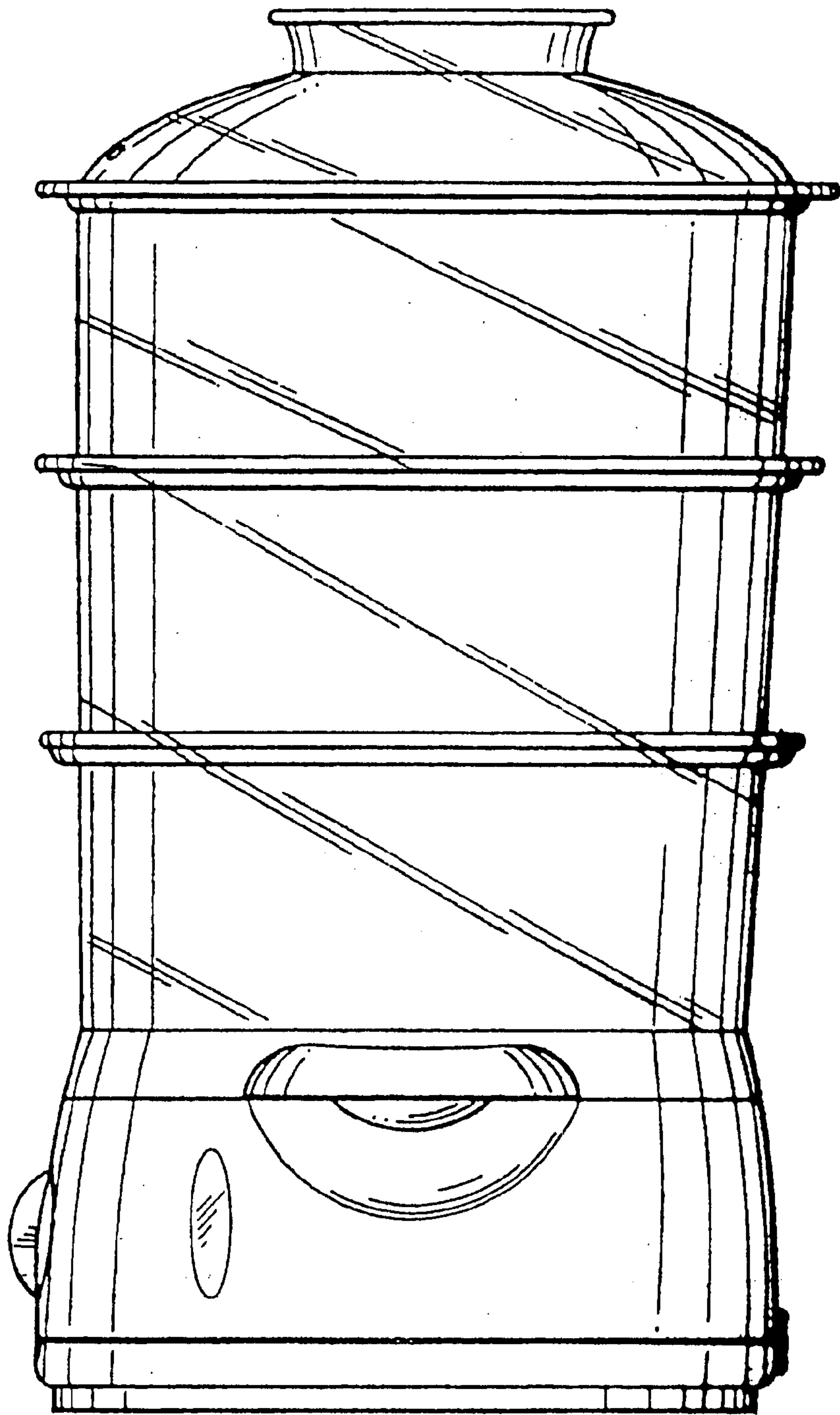


FIG. 4

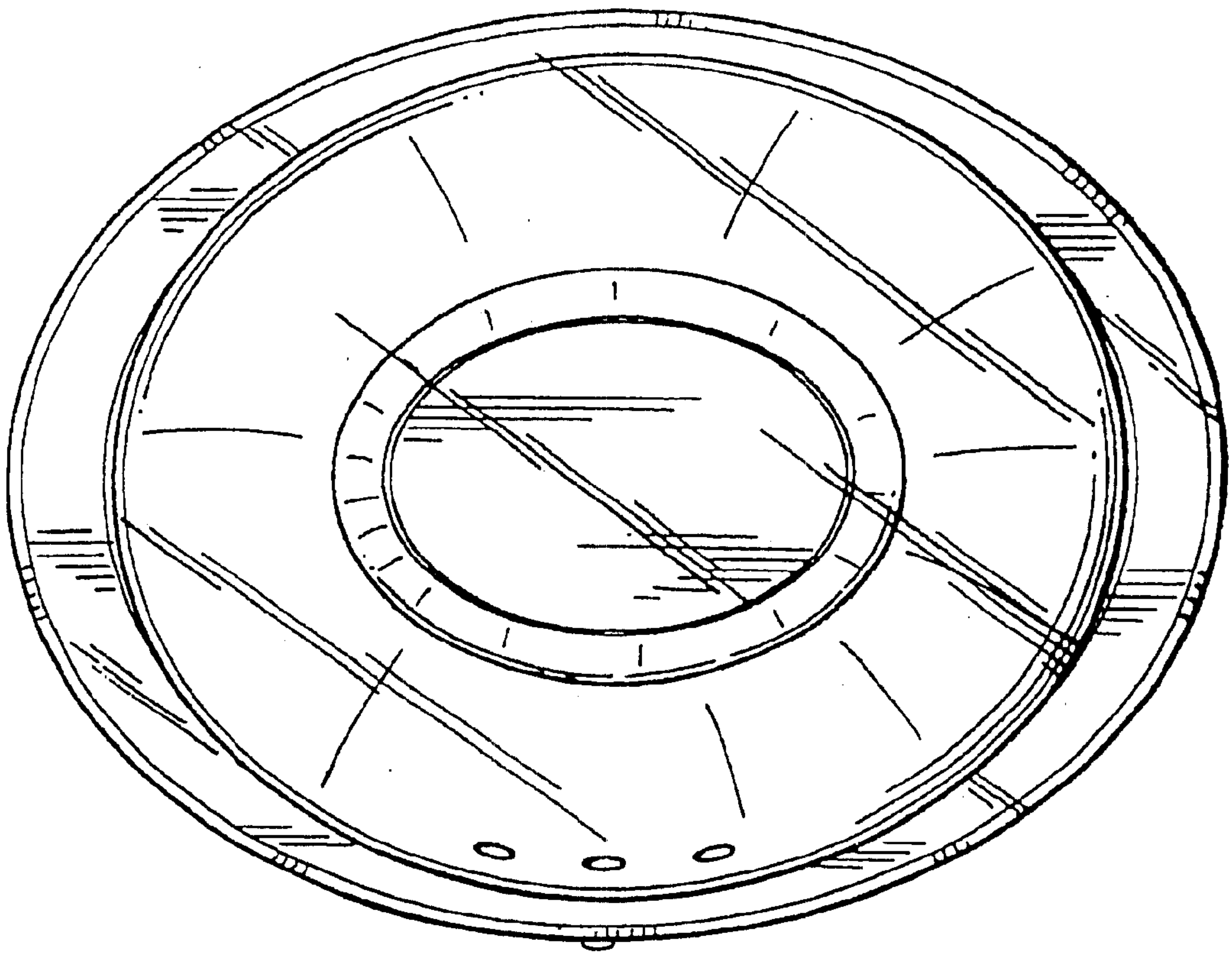


FIG. 5

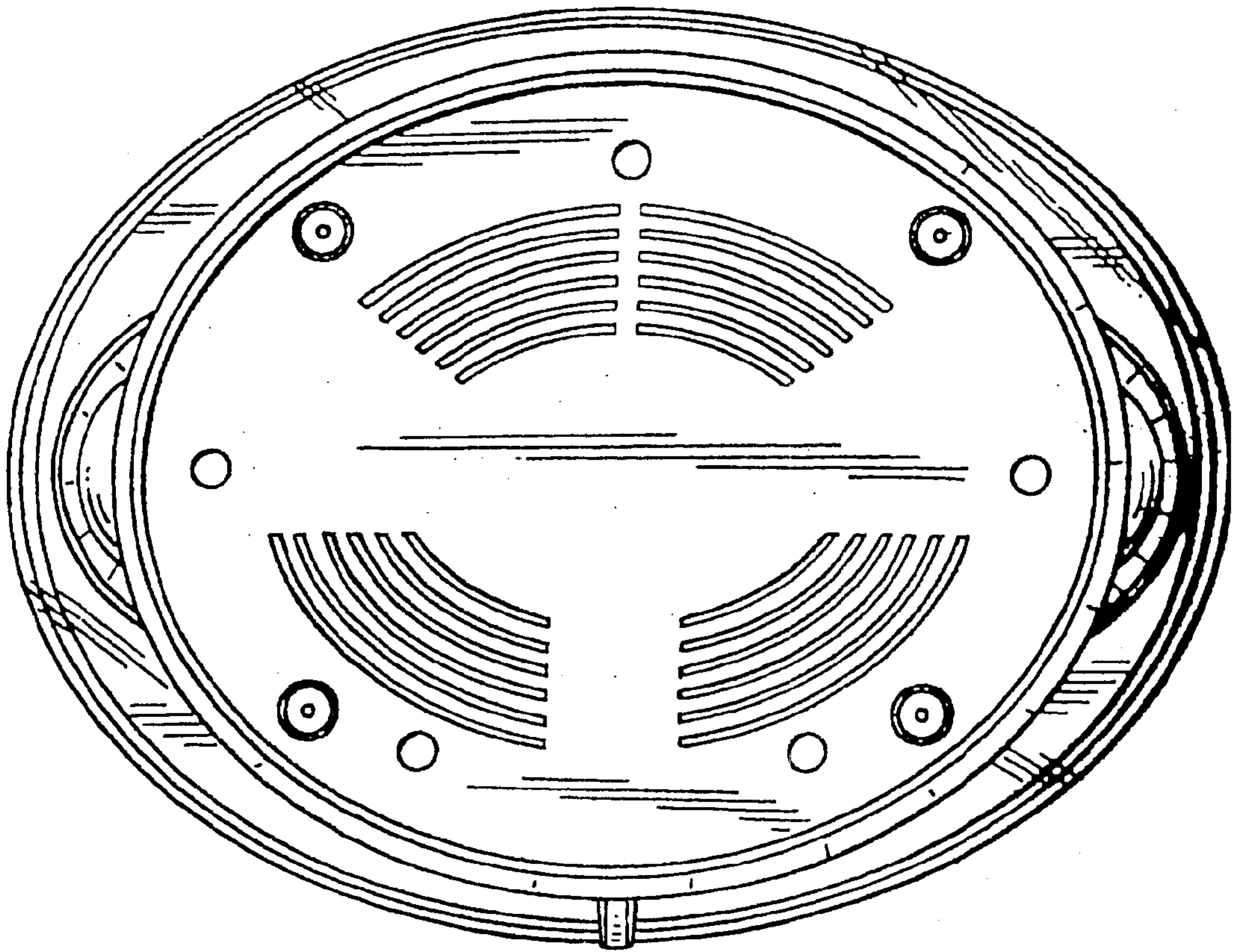


FIG. 6



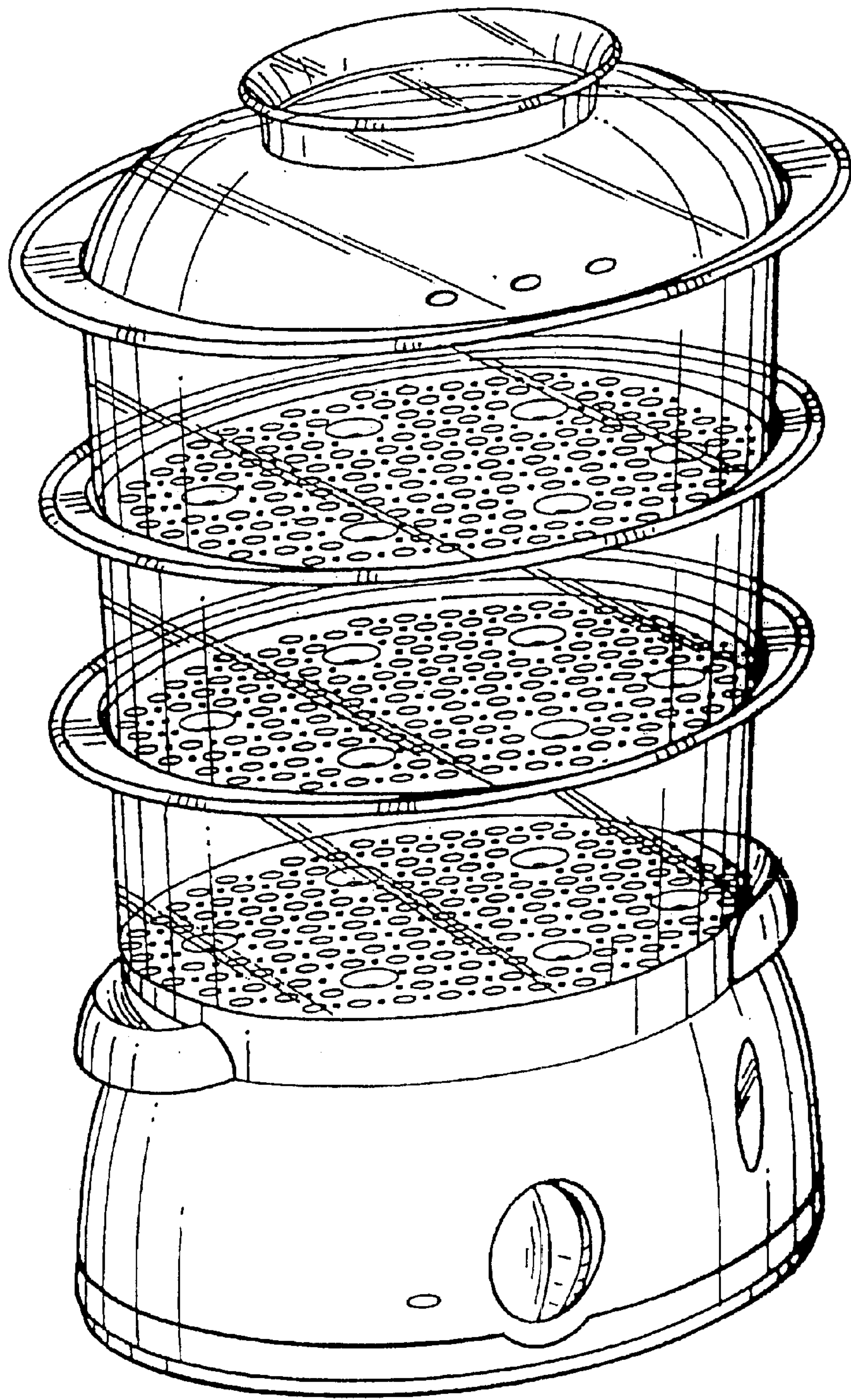


FIG. 7