



US00D463711S

(12) **United States Design Patent**
Josancy

(10) **Patent No.:** **US D463,711 S**

(45) **Date of Patent:** **** Oct. 1, 2002**

(54) **FRYER**

(75) Inventor: **Luc Josancy**, Sainte Colombe (FR)

(73) Assignee: **SEB**, Selongey (FR)

(**) Term: **14 Years**

(21) Appl. No.: **29/139,884**

(22) Filed: **Apr. 9, 2001**

(30) **Foreign Application Priority Data**

Oct. 9, 2000 (FR) 00 6023

(51) **LOC (7) Cl.** **07-02**

(52) **U.S. Cl.** **D7/354**

(58) **Field of Search** D7/323, 354-361;
99/331, 403, 410, 411, 413; 219/429, 432,
438, 440

(56) **References Cited**

U.S. PATENT DOCUMENTS

D365,723 S * 1/1996 Powell D7/354

D387,243 S * 12/1997 Bumoux D7/354

D422,447 S * 4/2000 Josancy D7/354

D446,680 S * 8/2001 Falt et al. D7/354

* cited by examiner

Primary Examiner—Caron D. Veynar

(74) *Attorney, Agent, or Firm*—Browdy and Neimark

(57) **CLAIM**

The ornamental design for a fryer, as shown and described.

DESCRIPTION

FIG. 1 is a front elevational view of a fryer in accordance with the present design;

FIG. 2 is a back elevational view thereof;

FIG. 3 is a left elevational view thereof;

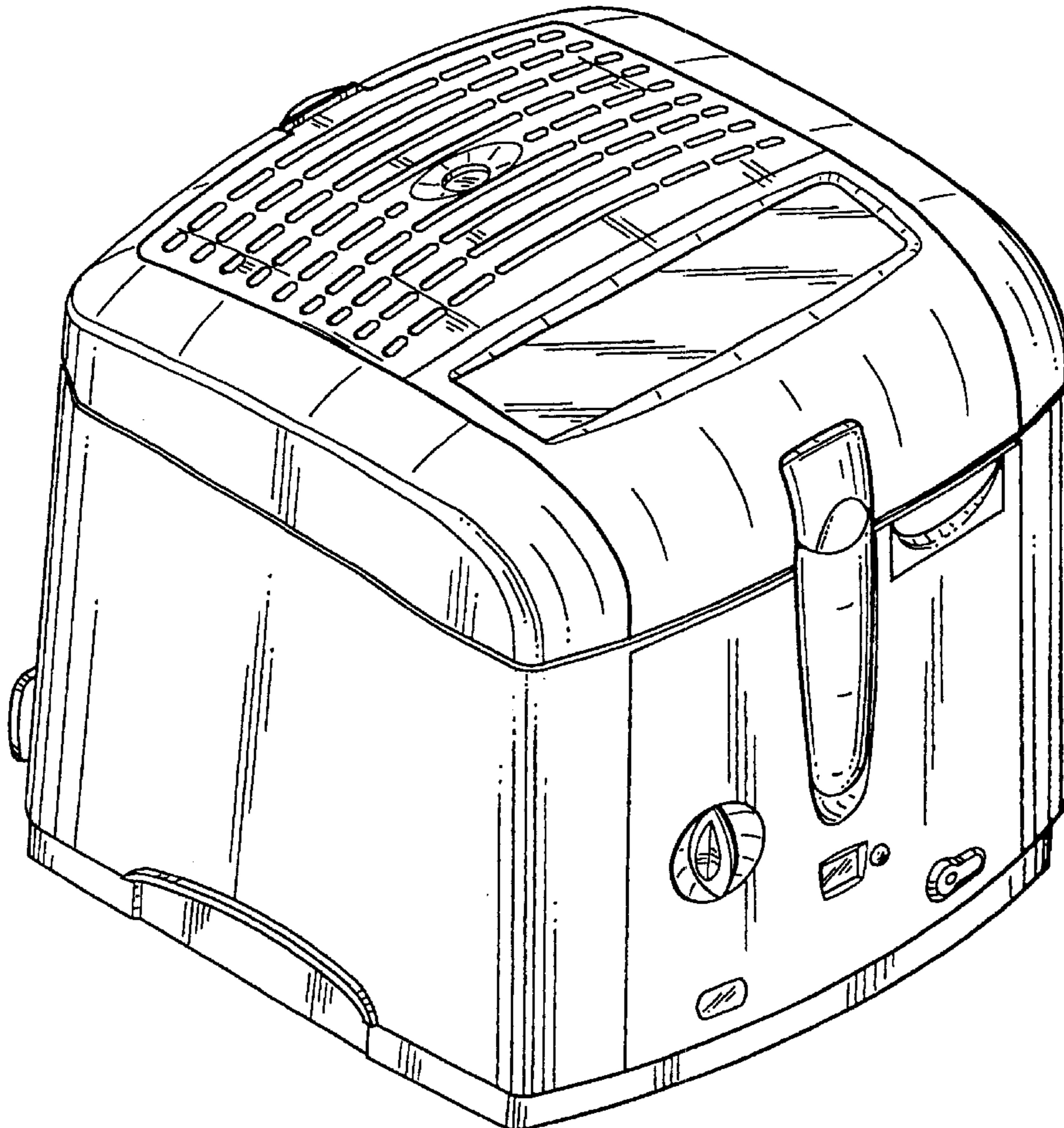
FIG. 4 is a right elevational view thereof;

FIG. 5 is a top plan view thereof;

FIG. 6 is a bottom plan view thereof; and,

FIG. 7 is a perspective view thereof.

1 Claim, 7 Drawing Sheets



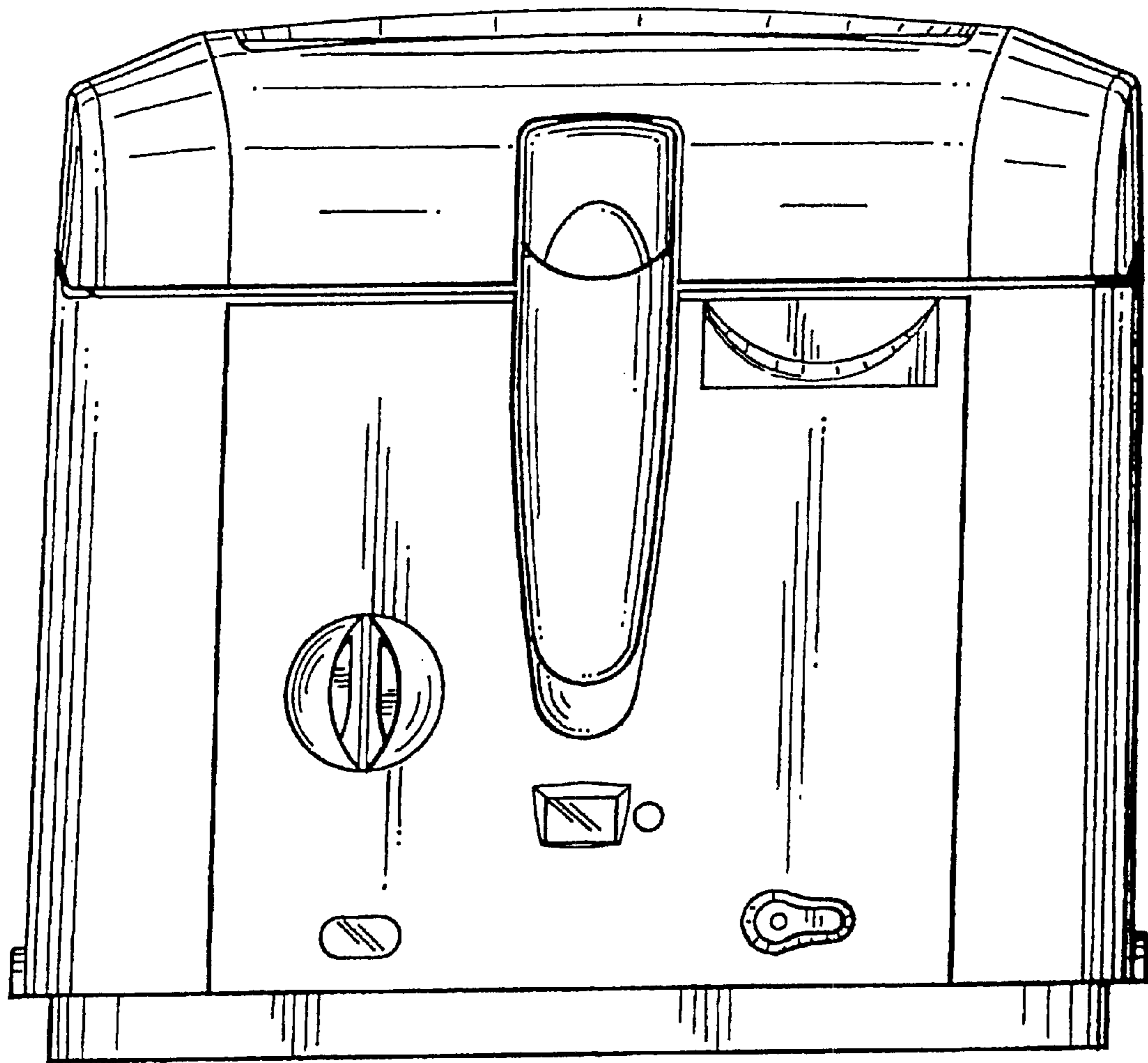


FIG. 1

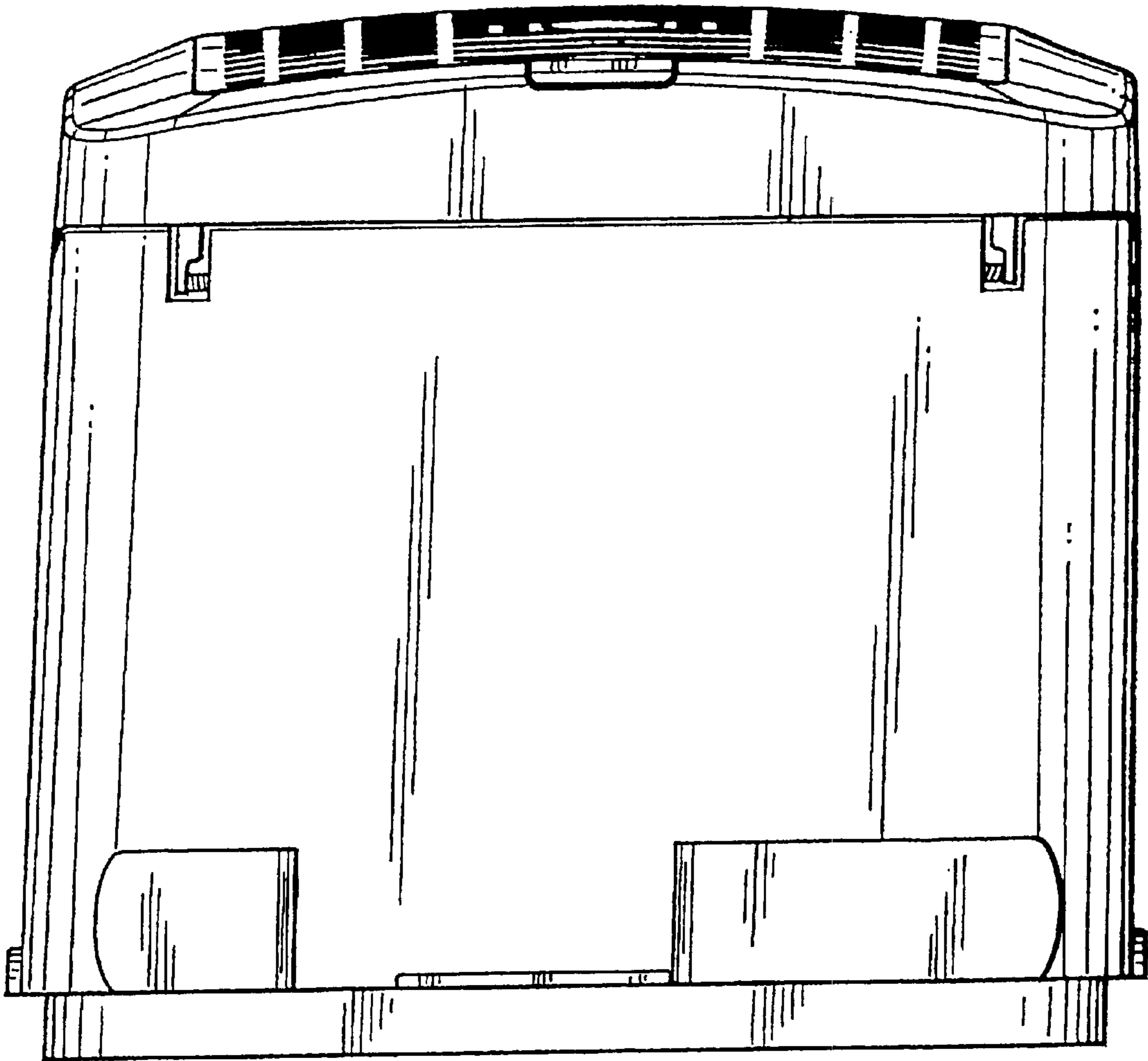


FIG. 2

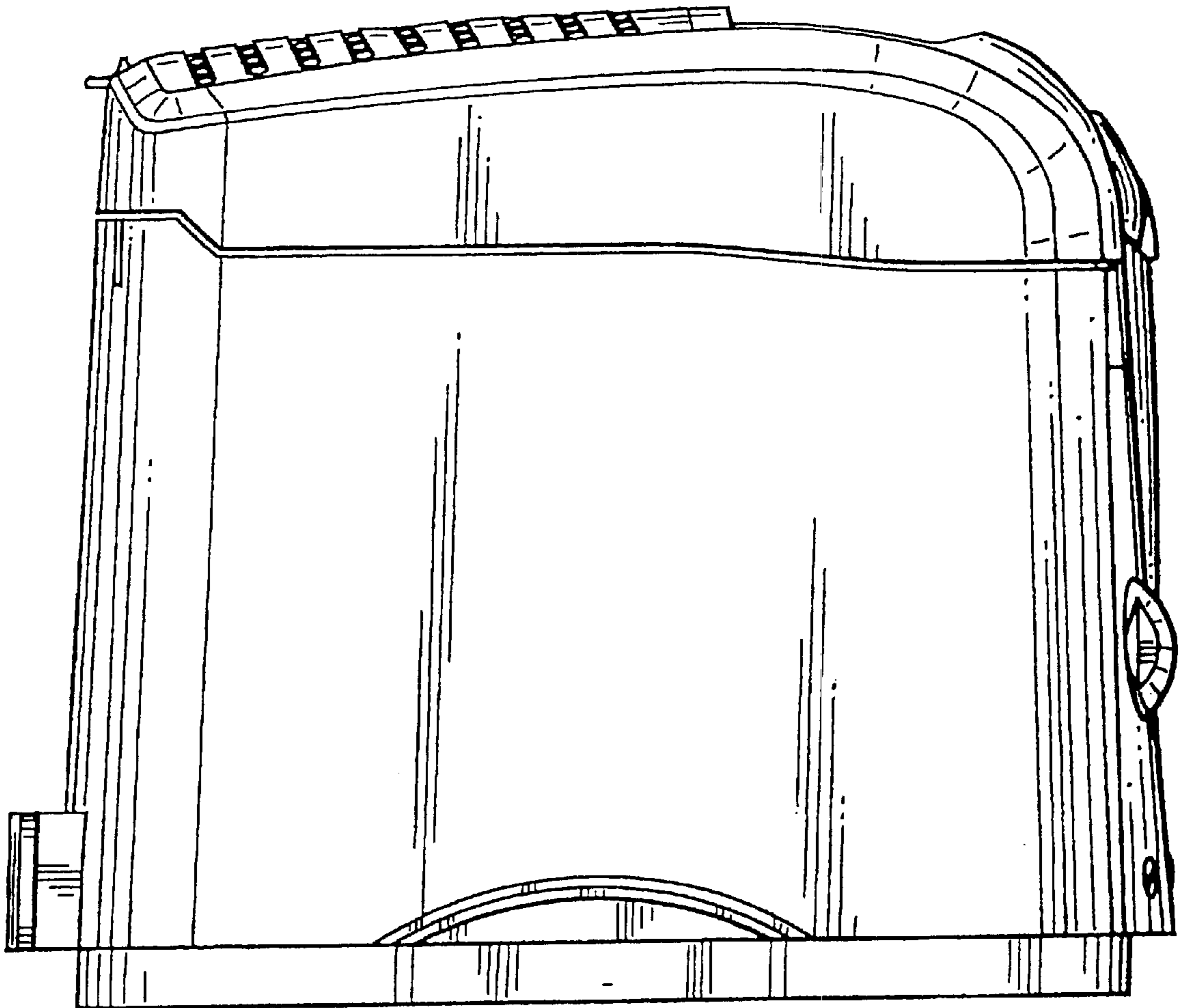


FIG. 3

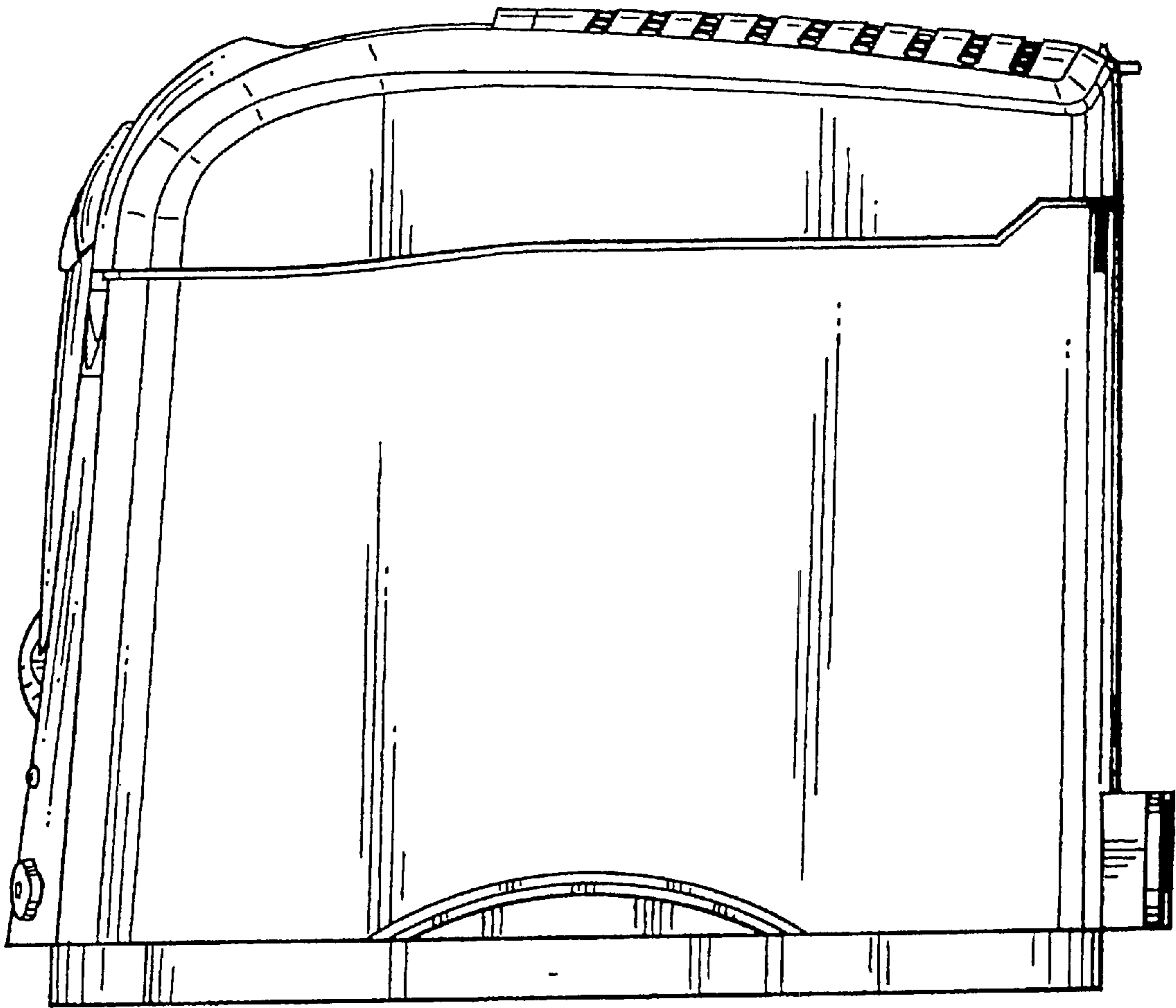


FIG. 4

FIG. 5

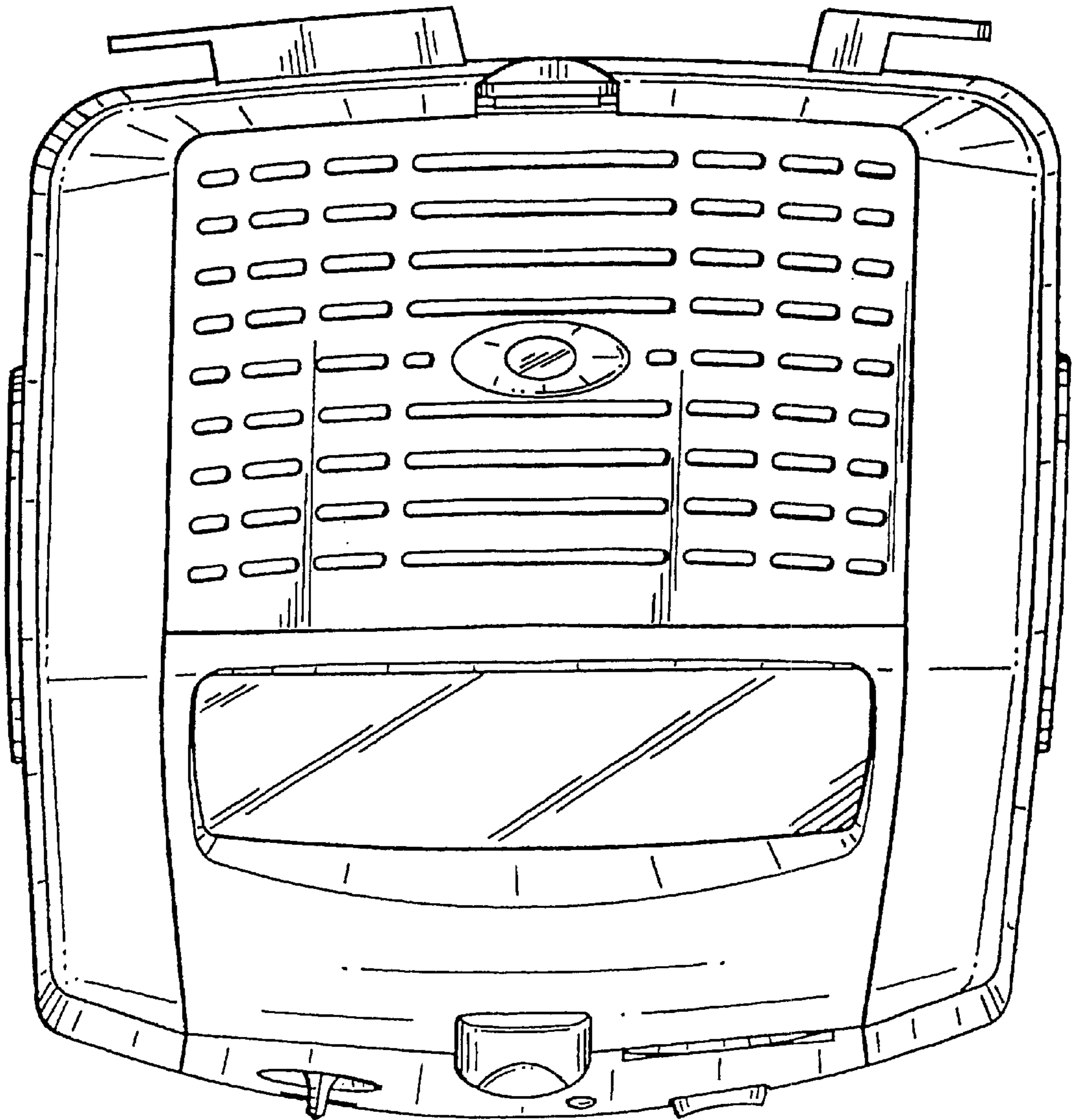
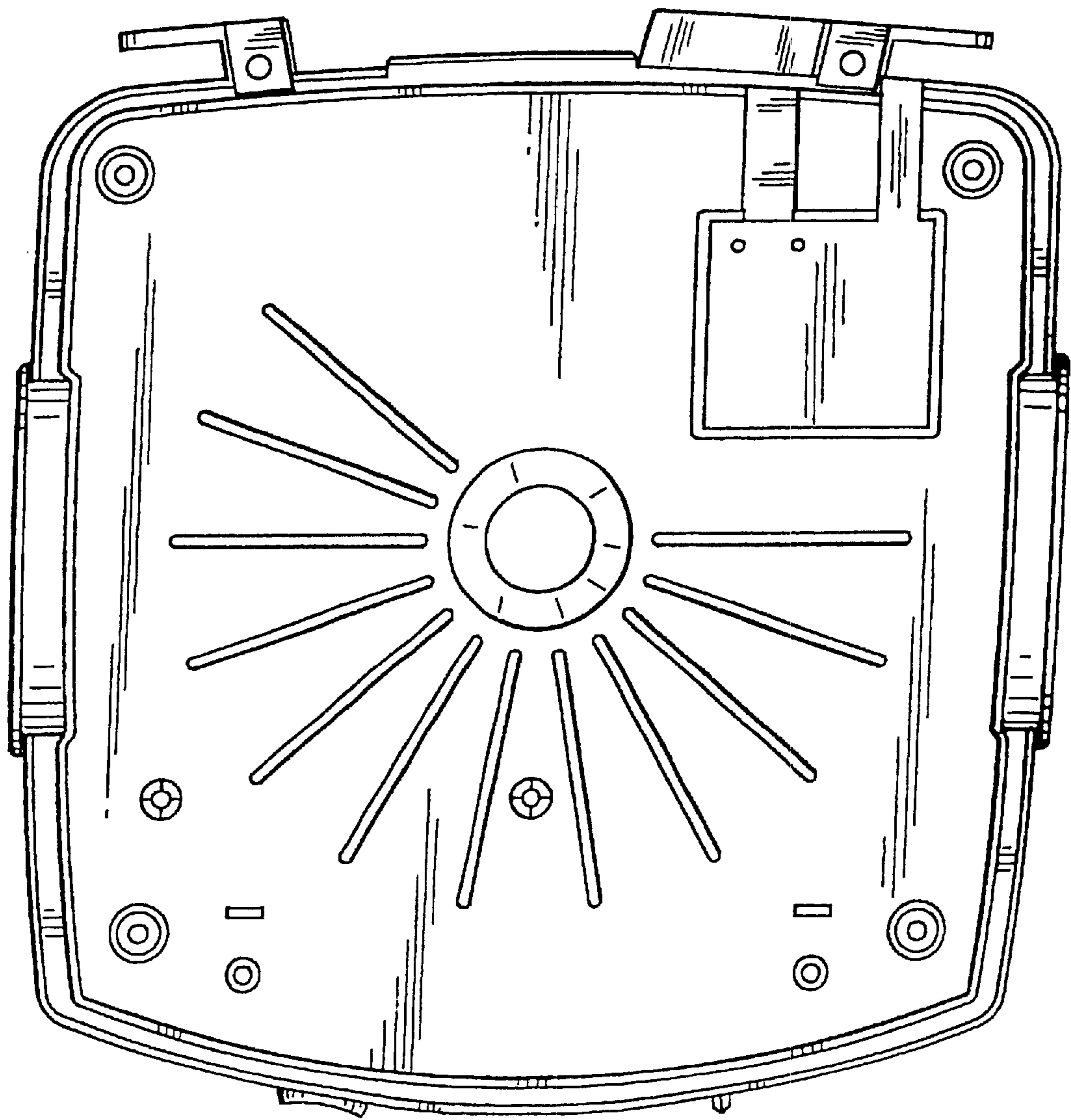


FIG. 6



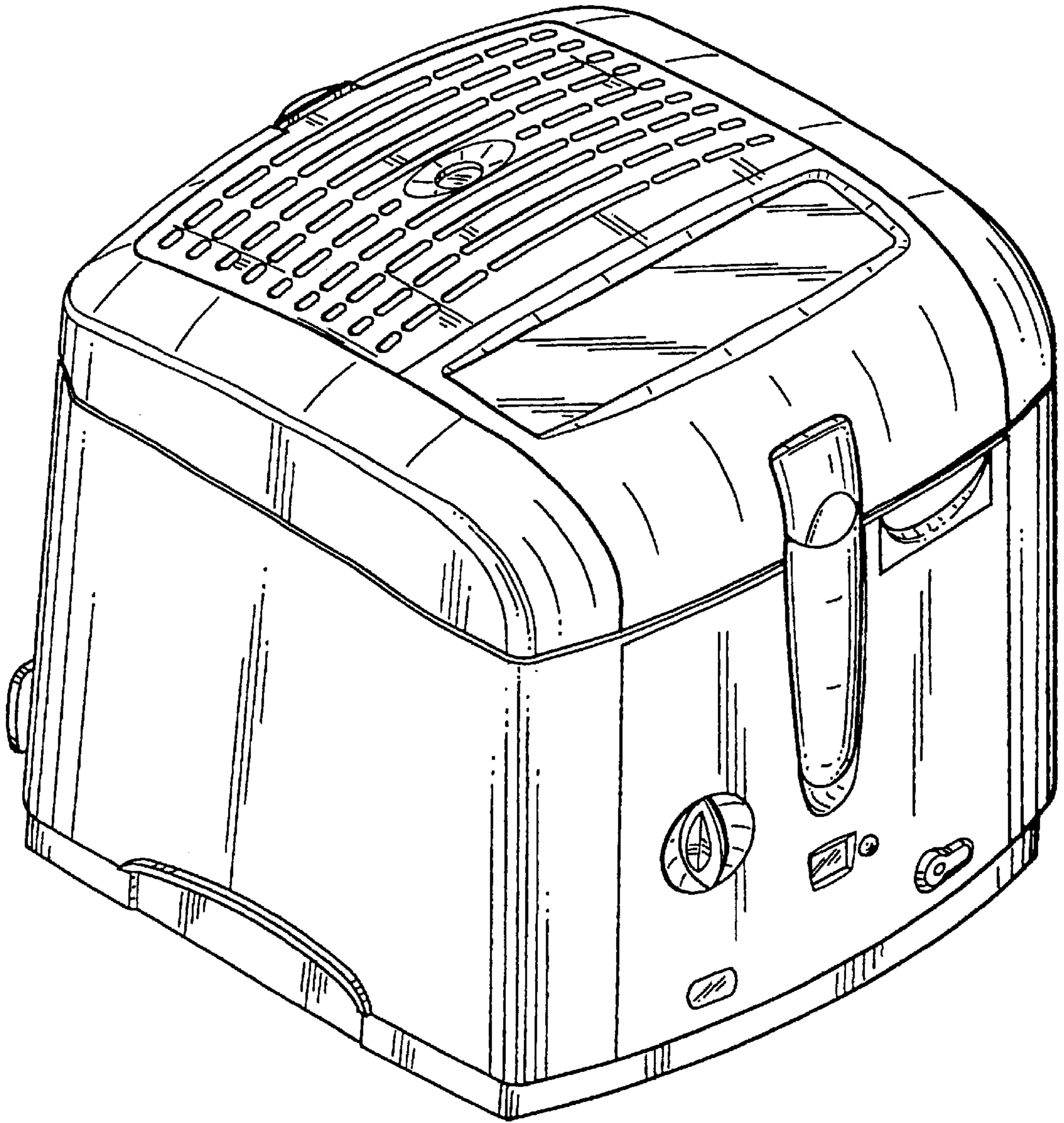


FIG. 7