



US00D463710S

(12) **United States Design Patent**
Choi

(10) **Patent No.:** **US D463,710 S**

(45) **Date of Patent:** **** Oct. 1, 2002**

(54) **MICROWAVE OVEN**

(75) **Inventor:** **Dong Sin Choi, Seoul (KR)**

(73) **Assignee:** **LG Electronics, Inc., Seoul (KR)**

(**) **Term:** **14 Years**

(21) **Appl. No.:** **29/151,260**

(22) **Filed:** **Dec. 6, 2001**

(30) **Foreign Application Priority Data**

Jun. 12, 2001 (KR) 2001-15908

(51) **LOC (7) Cl. 07-02**

(52) **U.S. Cl. D7/351**

(58) **Field of Search** D7/350.1, 350.3,
D7/350.4, 351, 402, 405-406; 126/273 A,
275, 275 E, 19 M, 21 R; 219/678, 756-758;
99/DIG. 14, 341

(56) **References Cited**

U.S. PATENT DOCUMENTS

D294,327 S * 2/1988 Yoo D7/351
D381,862 S * 8/1997 Noda et al. D7/351

D385,155 S * 10/1997 Weiss et al. D7/405
D426,102 S * 6/2000 Hamada et al. D7/351
D430,452 S * 9/2000 Noda et al. D7/351
D435,754 S * 1/2001 Ozaki et al. D7/351
D454,029 S * 3/2002 Noda et al. D7/351
D454,030 S * 3/2002 Noda et al. D7/351

* cited by examiner

Primary Examiner—Ruth McInroy

(57) **CLAIM**

I claim the ornamental design for a microwave oven, as shown and described.

DESCRIPTION

FIG. 1 is a perspective view of a microwave oven showing my new design;
FIG. 2 is a front view thereof;
FIG. 3 is a rear elevational view thereof;
FIG. 4 is a left-side elevational view thereof;
FIG. 5 is a right-side elevational view thereof;
FIG. 6 is a top plan view thereof; and,
FIG. 7 is a bottom plan view thereof.

1 Claim, 4 Drawing Sheets

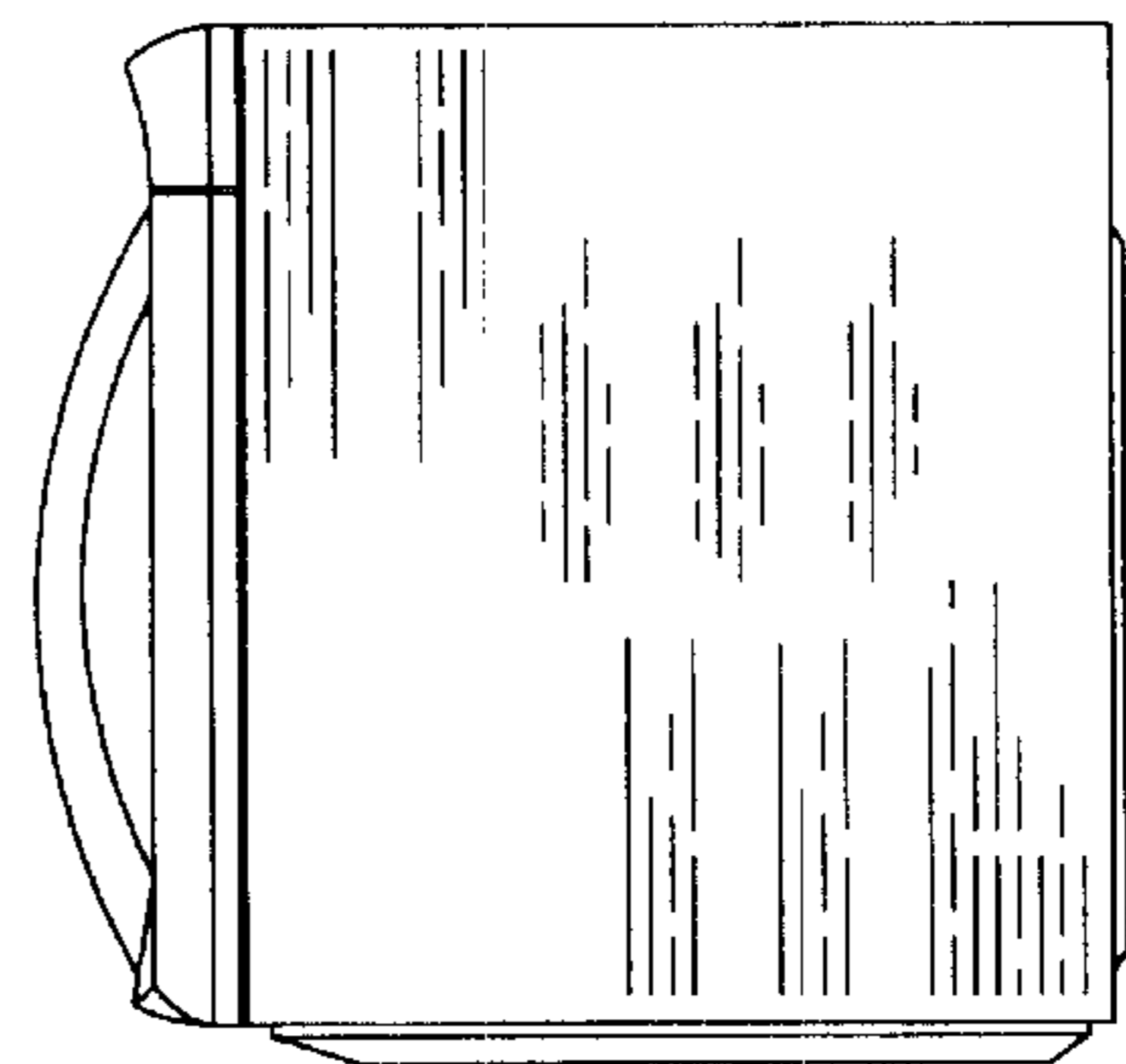
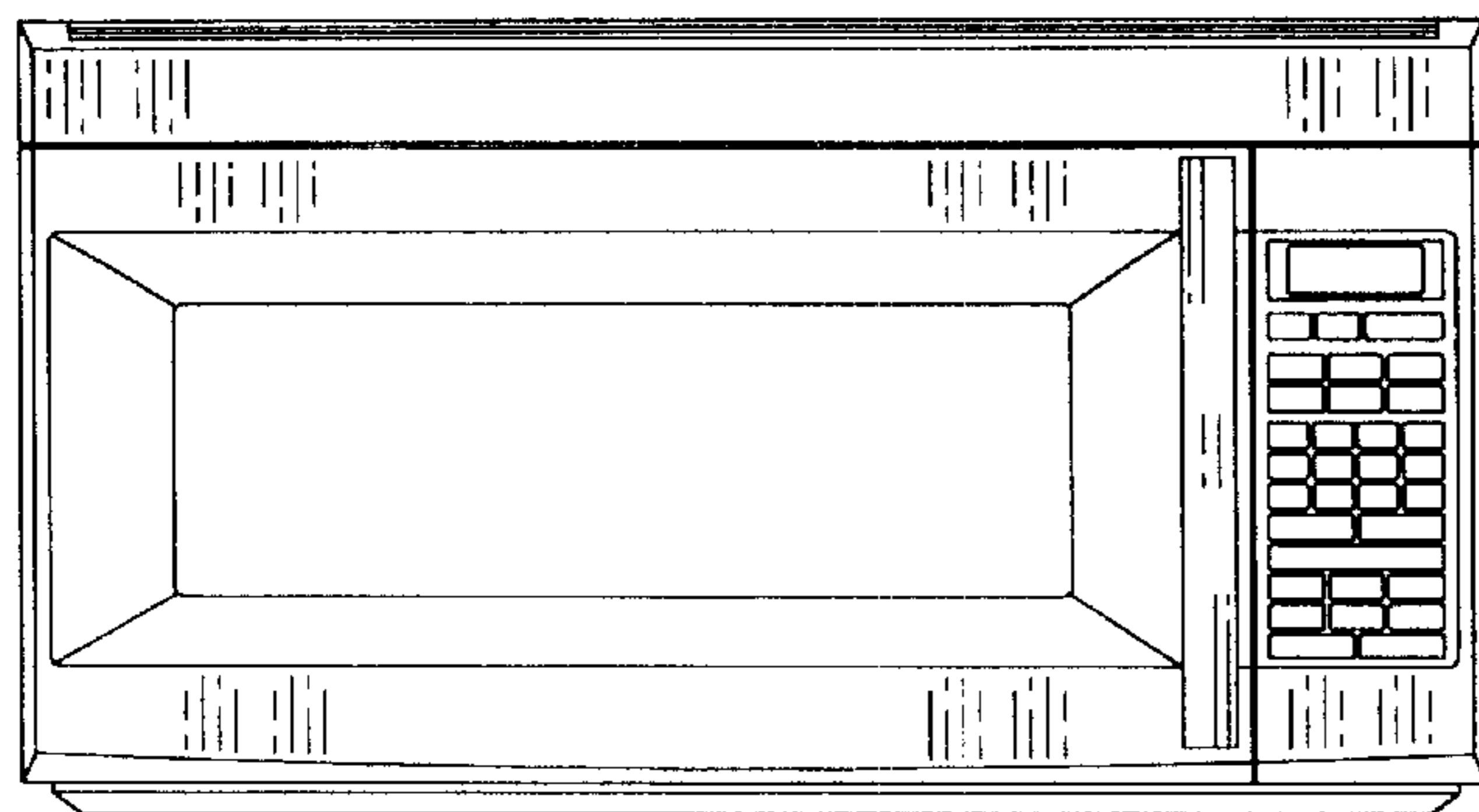
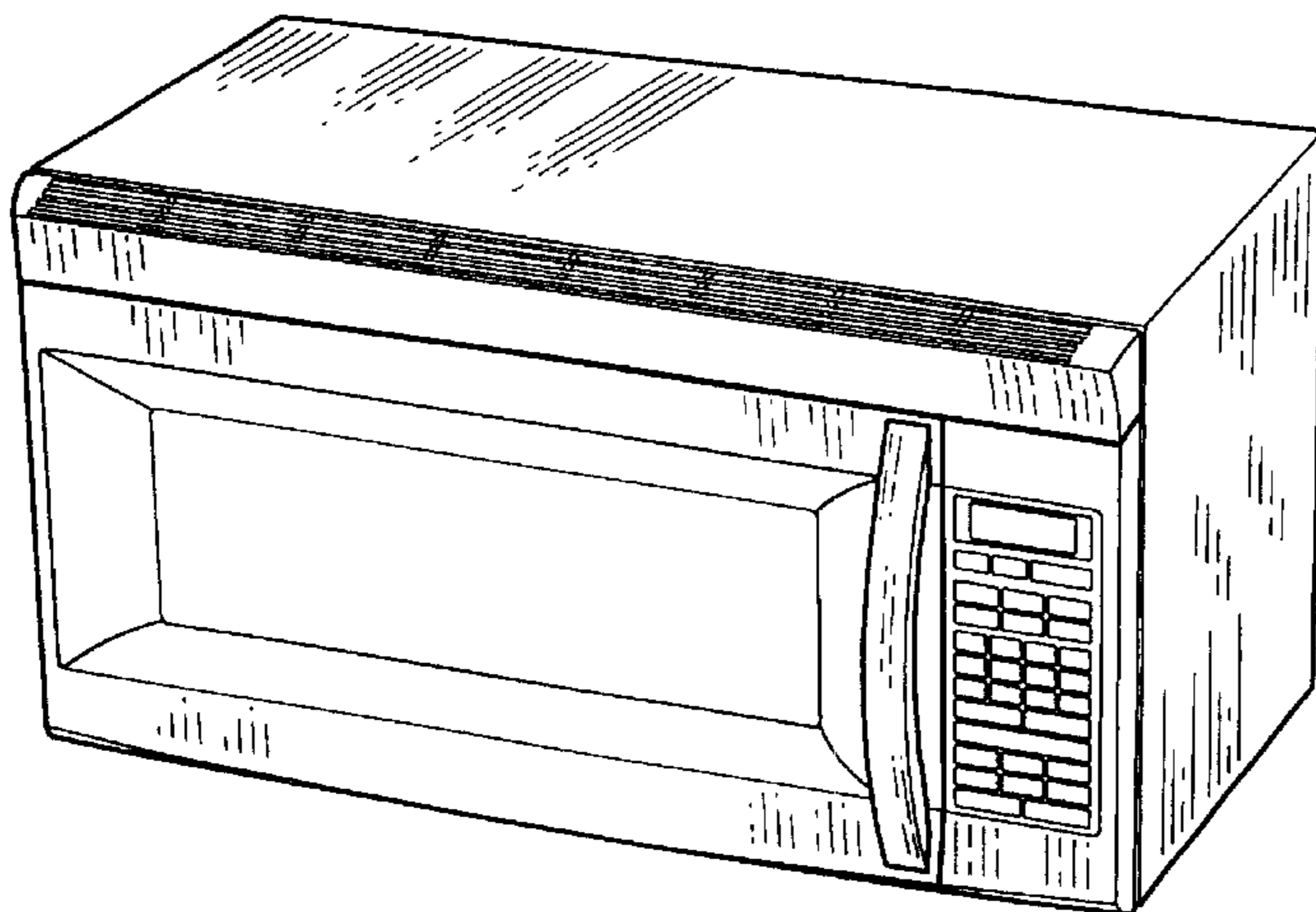


FIG. 1

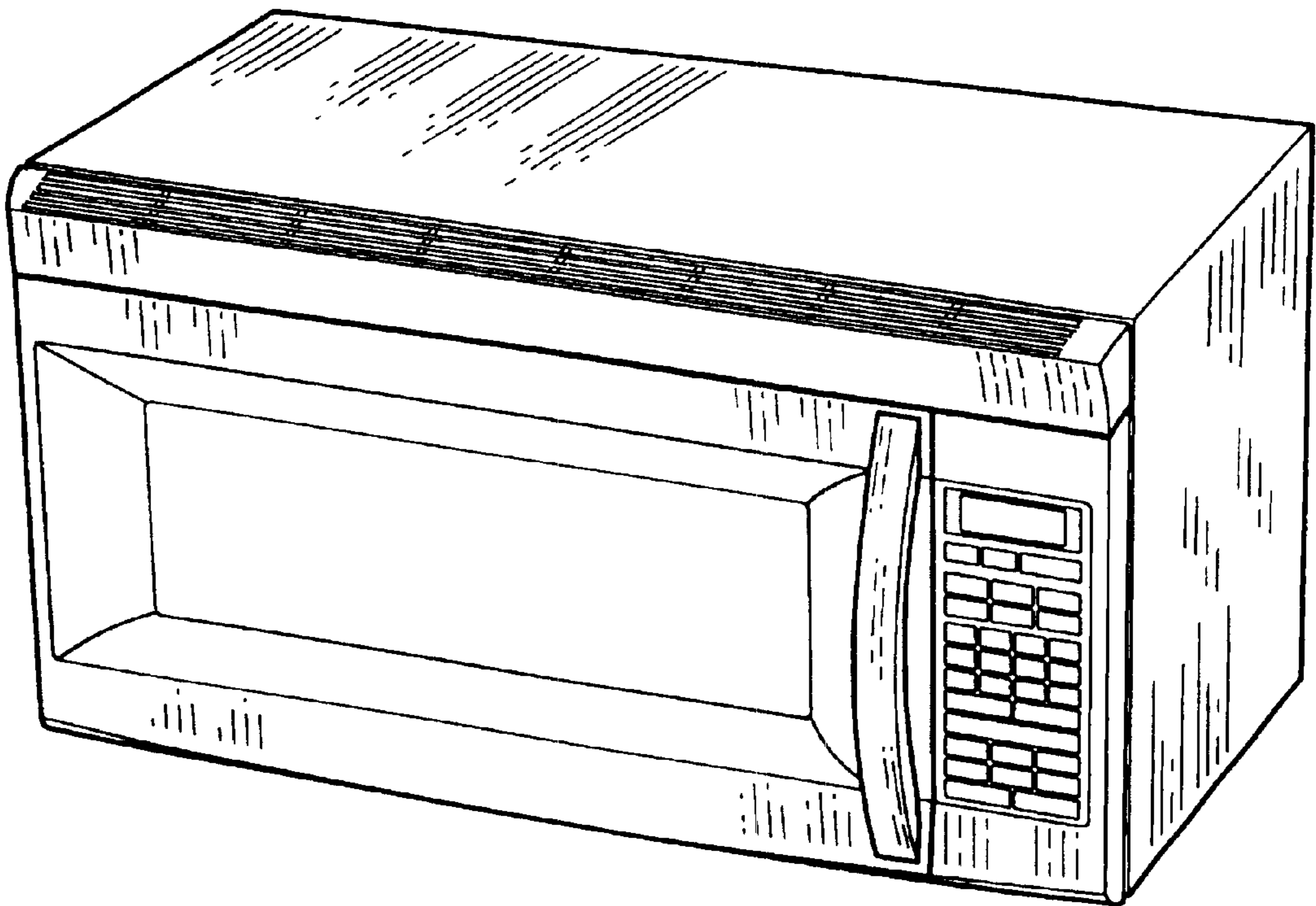


FIG. 2

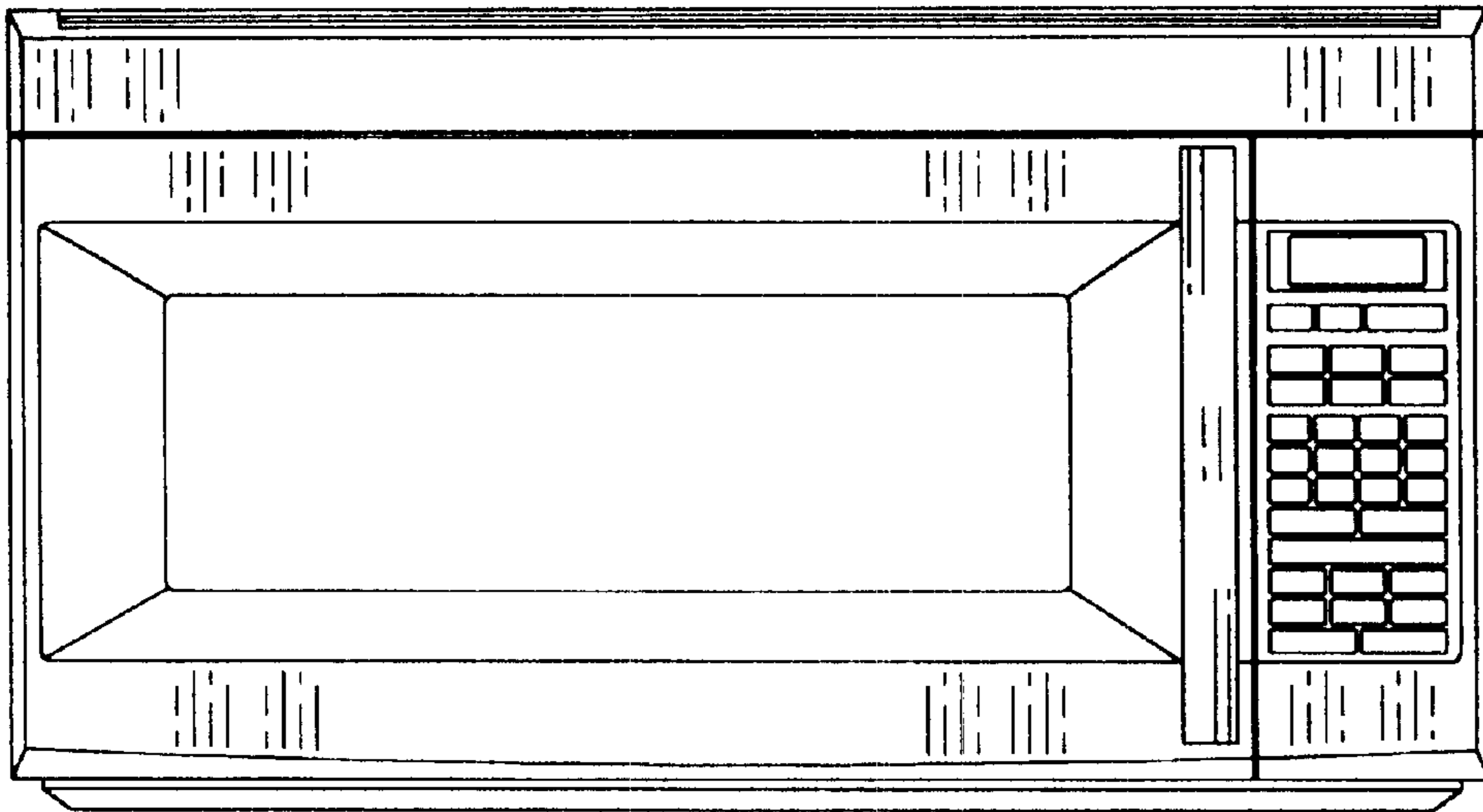


FIG. 3

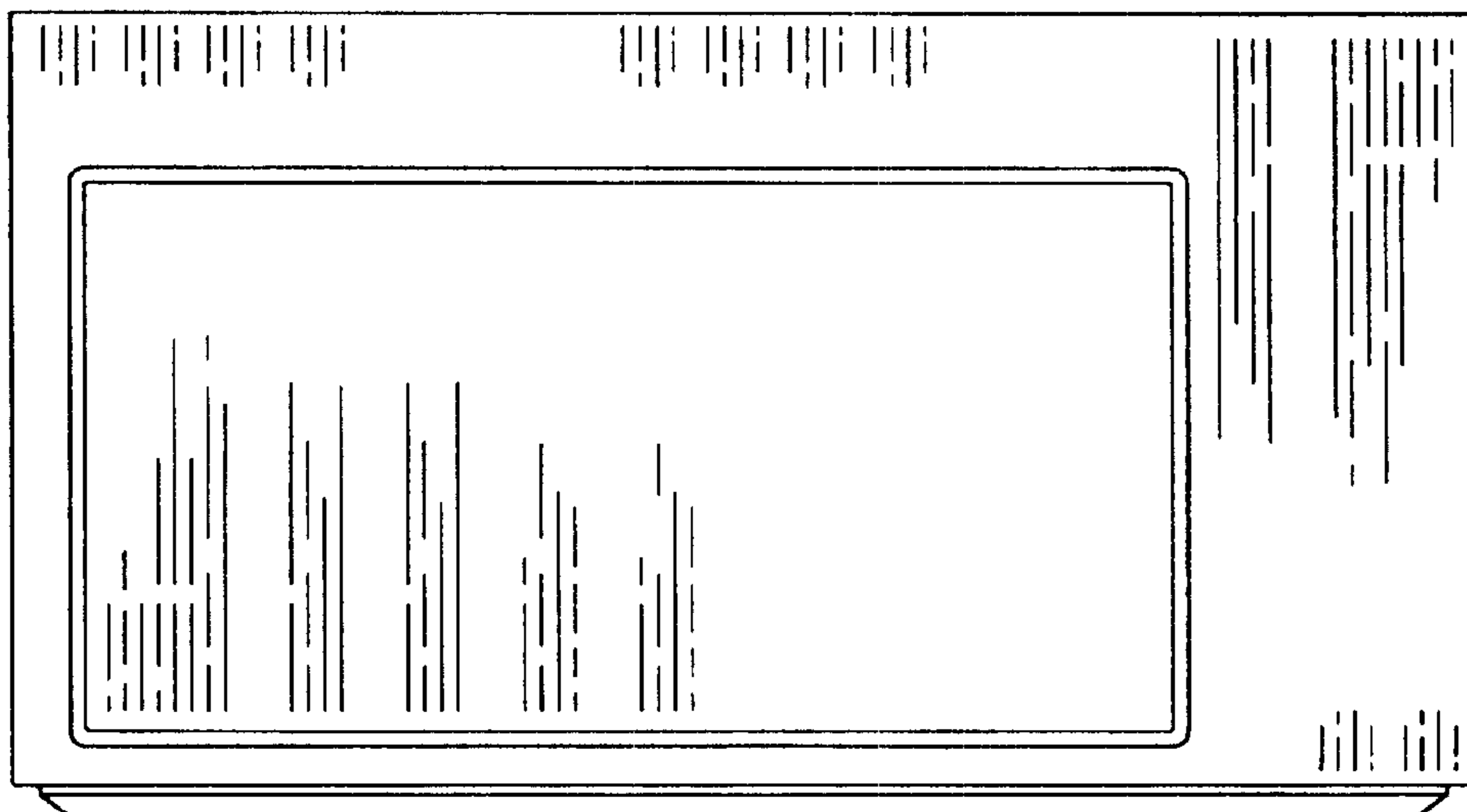


FIG. 4

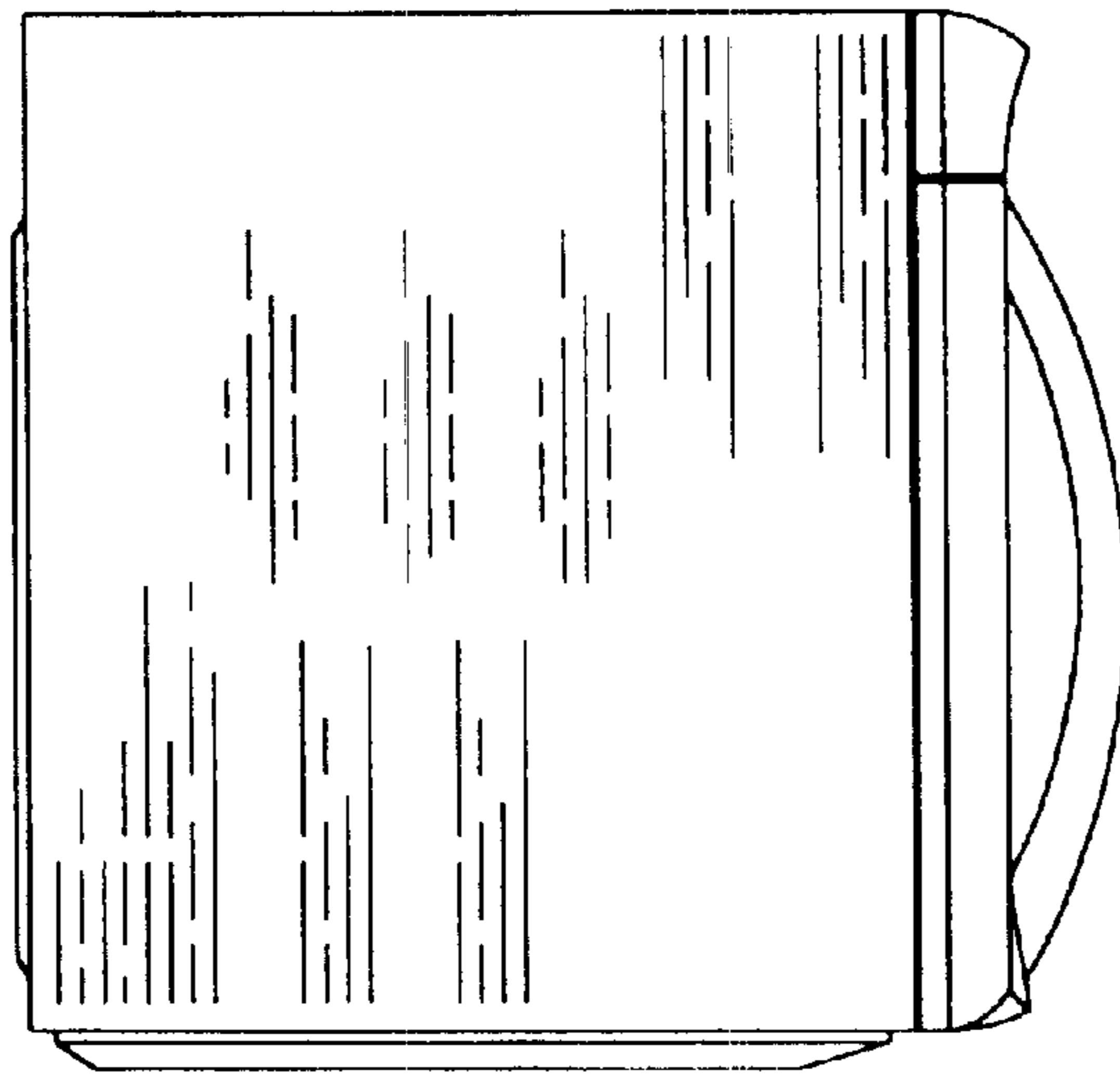


FIG. 5

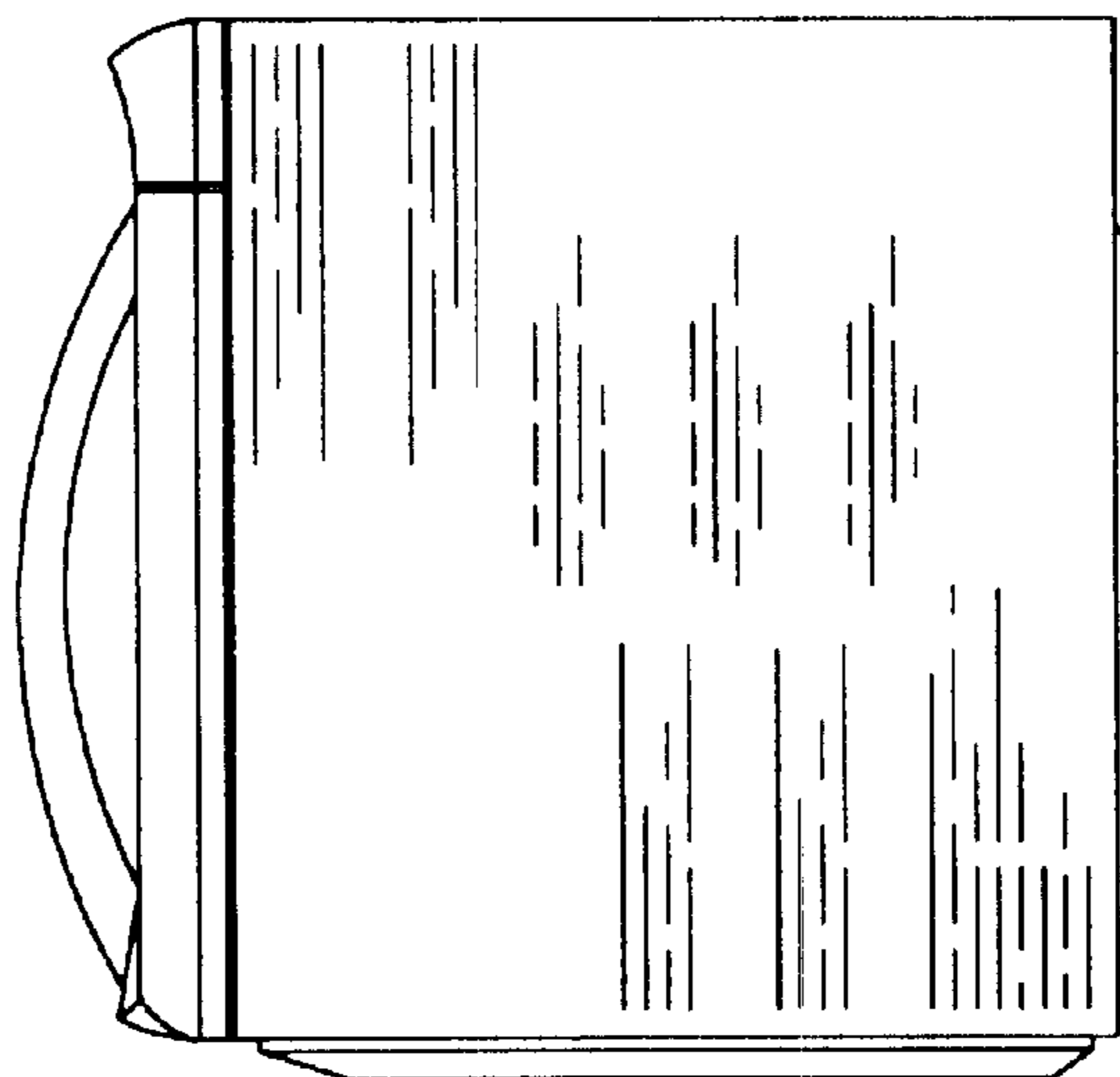


FIG. 6

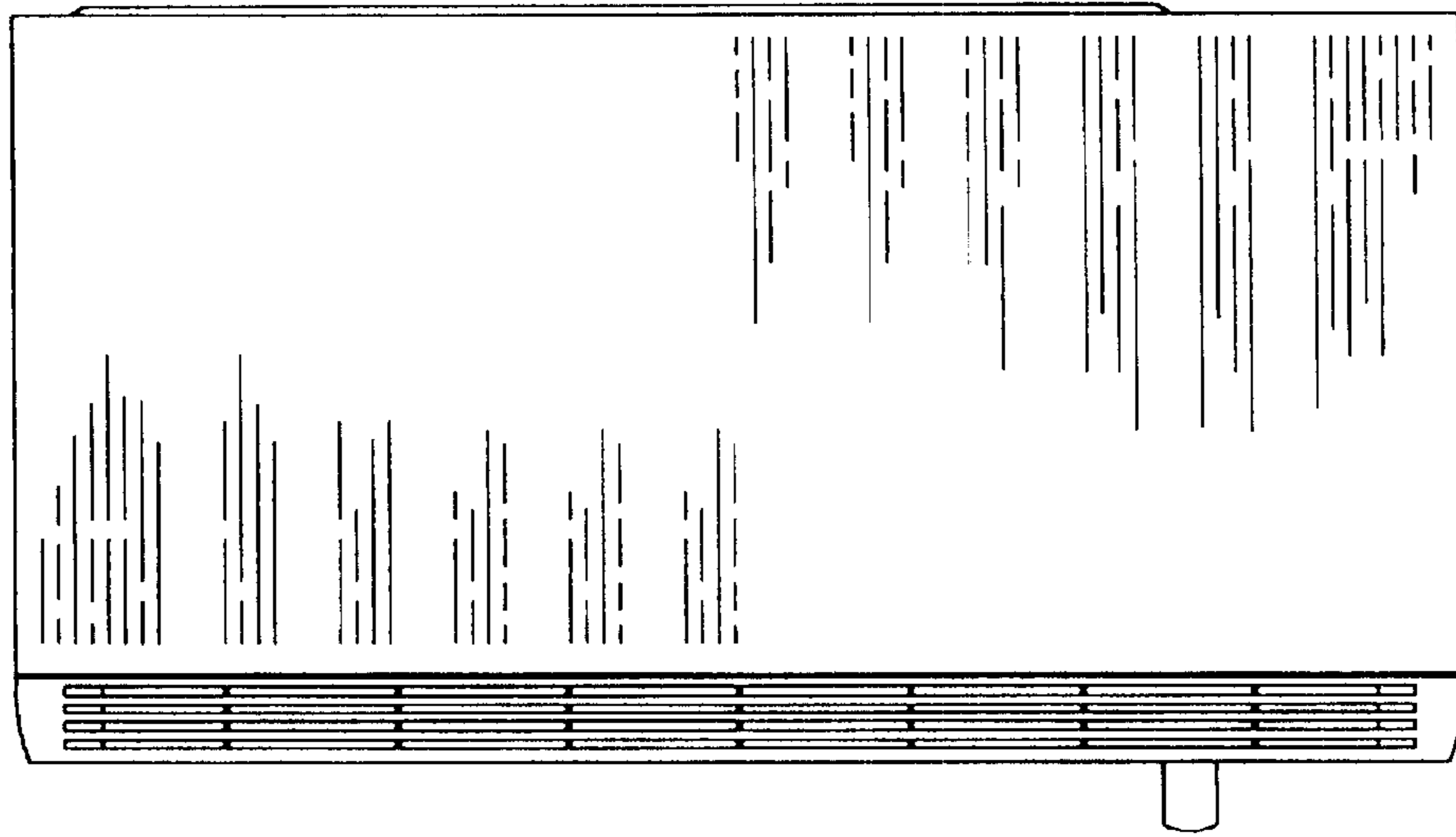


FIG. 7

