



US00D463709S

(12) **United States Design Patent**
Bossler

(10) **Patent No.:** **US D463,709 S**

(45) **Date of Patent:** **** Oct. 1, 2002**

(54) **OVAL BARBECUE GRILL**

(75) **Inventor:** **Martin C. Bossler**, Spring Grove, IL (US)

(73) **Assignee:** **Uniflame Corporation**, Zion, IL (US)

(**) **Term:** **14 Years**

(21) **Appl. No.:** **29/146,526**

(22) **Filed:** **Aug. 10, 2001**

(51) **LOC (7) Cl.** **07-02**

(52) **U.S. Cl.** **D7/334**

(58) **Field of Search** D7/332, 334-337, D7/402-404; 126/25 R, 25 A, 25 AA, 9 R, 9 B, 29-30, 41 R; 99/421 R, 444

(56) **References Cited**

U.S. PATENT DOCUMENTS

D188,879 S	*	9/1960	Gauss et al.	D7/334
D192,199 S	*	2/1962	Watson et al.	D7/334
D295,135 S	*	4/1988	Ogden	D7/334
D315,079 S		3/1991	Jui-Jen	D7/331
5,016,607 A		5/1991	Doolittle et al.	126/25
5,036,832 A	*	8/1991	Schlosser et al.	126/243
D322,909 S		1/1992	Parent et al.	D7/331
D325,315 S		4/1992	Parent et al.	D7/334
D325,316 S		4/1992	Parent et al.	D7/334

D325,318 S		4/1992	Parent et al.	D7/332
D327,805 S		7/1992	Parent et al.	D7/334
5,165,385 A		11/1992	Doolittle et al.	126/25
D412,086 S		7/1999	Bossler	D7/332
D414,374 S	*	9/1999	Ting	D7/334
D415,653 S		10/1999	Schlosser et al.	D7/402
D426,419 S	*	6/2000	Kuo	D7/334
D435,387 S		12/2000	Pai	D7/332
6,155,248 A	*	12/2000	Schlosser et al.	126/242

* cited by examiner

Primary Examiner—Ruth McInroy

(74) *Attorney, Agent, or Firm*—Greer, Burns & Crain, Ltd.

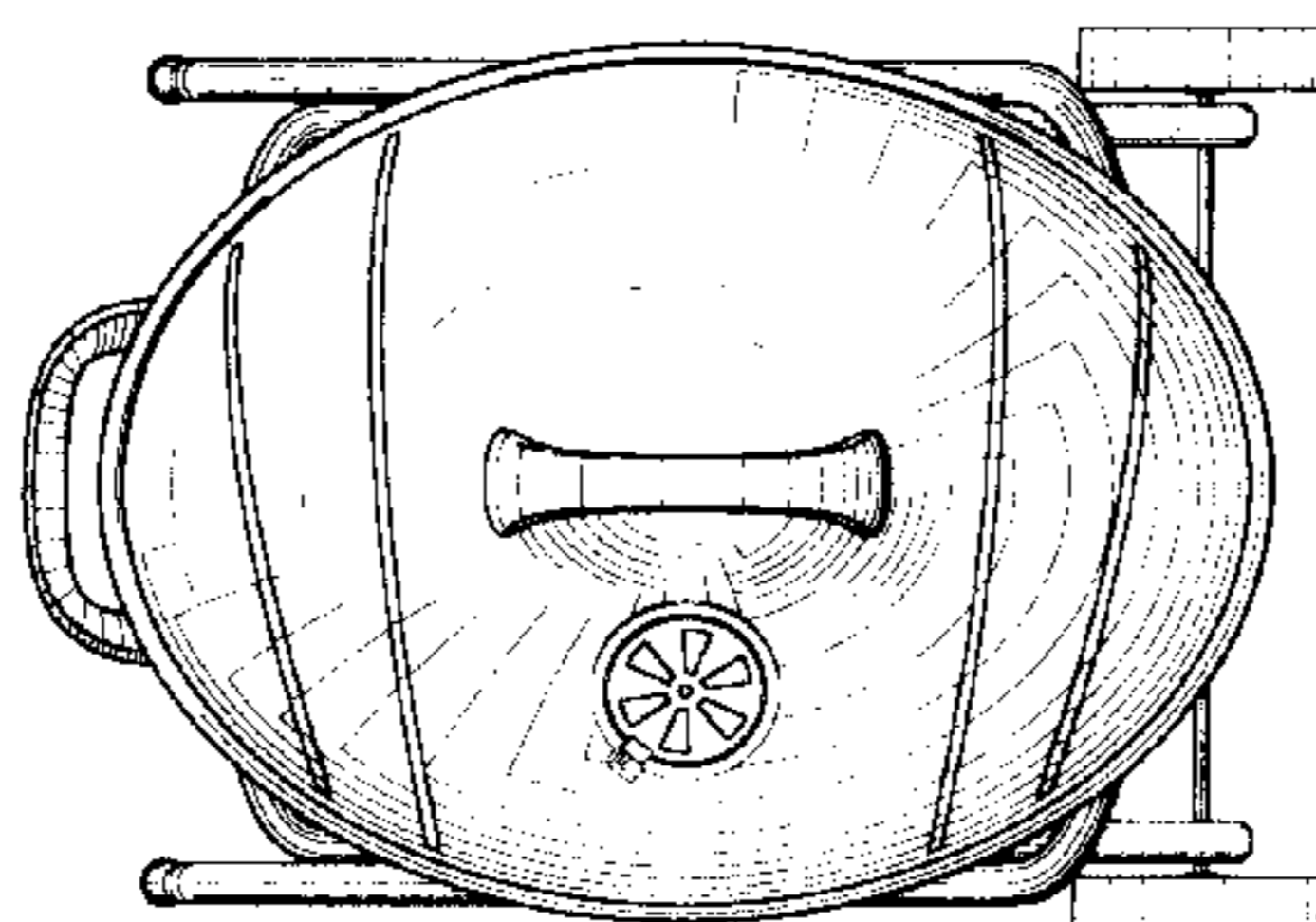
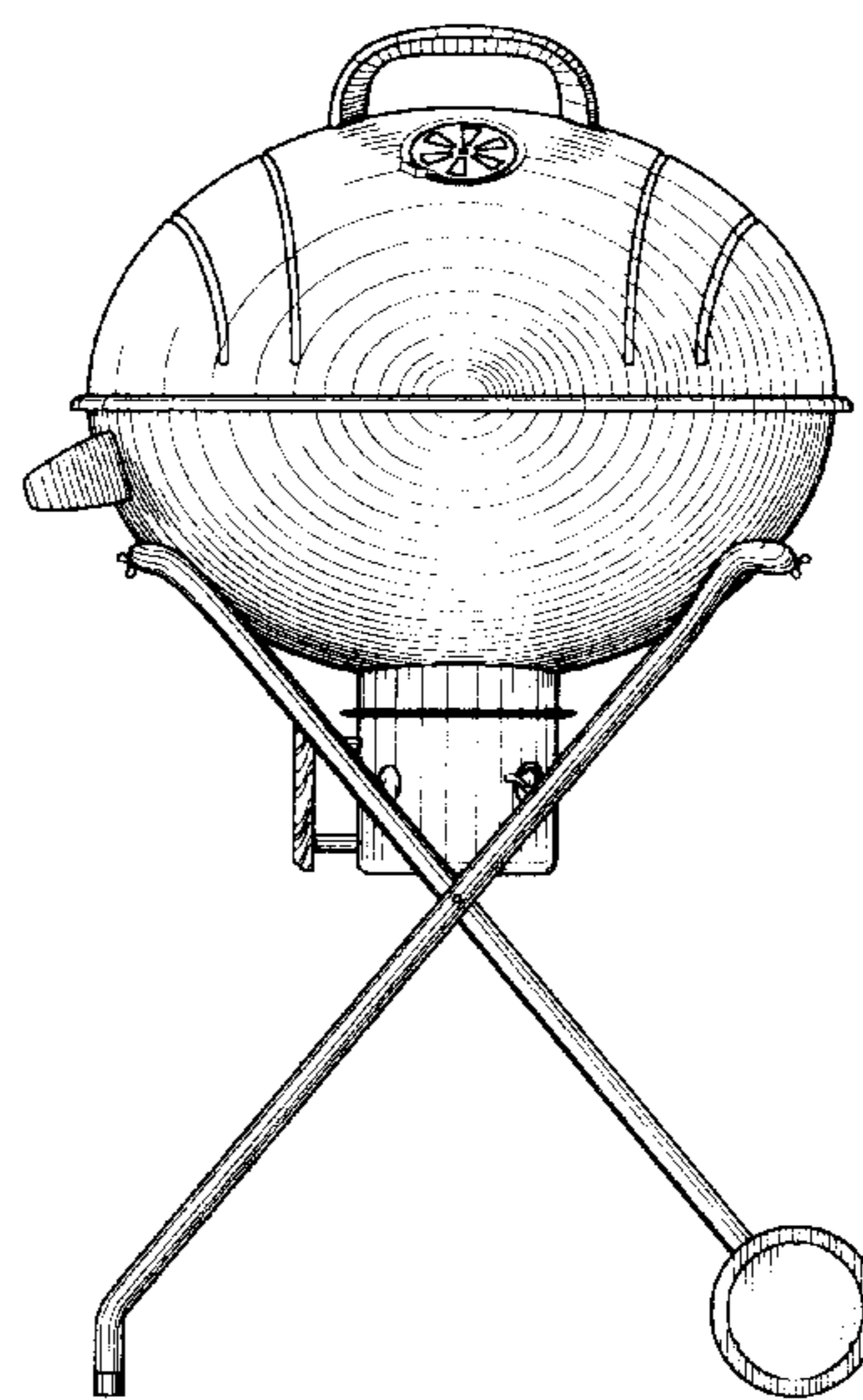
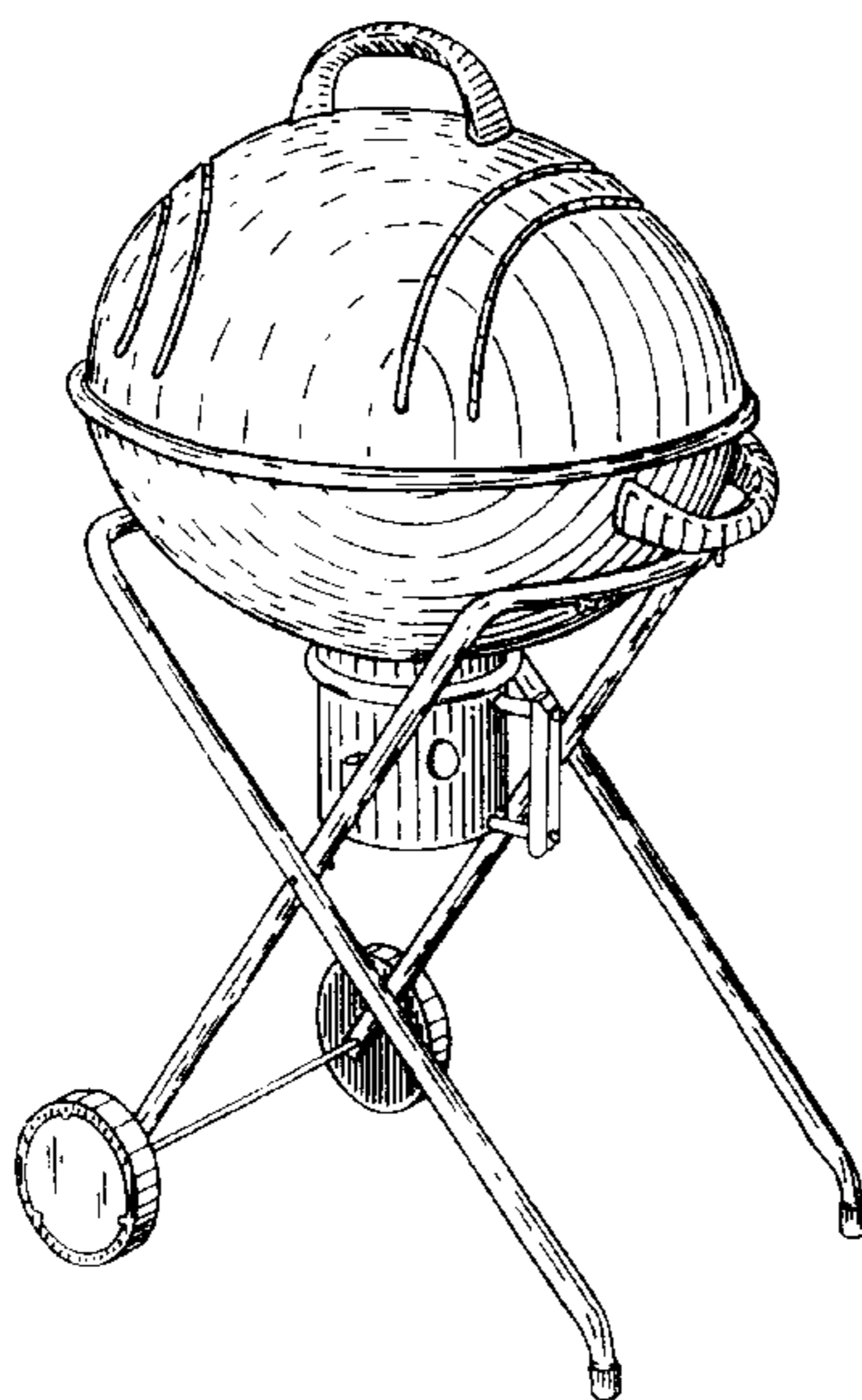
(57) **CLAIM**

The ornamental design for an oval barbecue grill, as shown and described.

DESCRIPTION

FIG. 1 is a perspective view of an oval barbecue grill showing my new design;
FIG. 2 is a front view thereof;
FIG. 3 is a right side view thereof;
FIG. 4 is a rear view thereof;
FIG. 5 is a left side thereof;
FIG. 6 is a top view thereof; and,
FIG. 7 is a bottom view thereof.

1 Claim, 3 Drawing Sheets



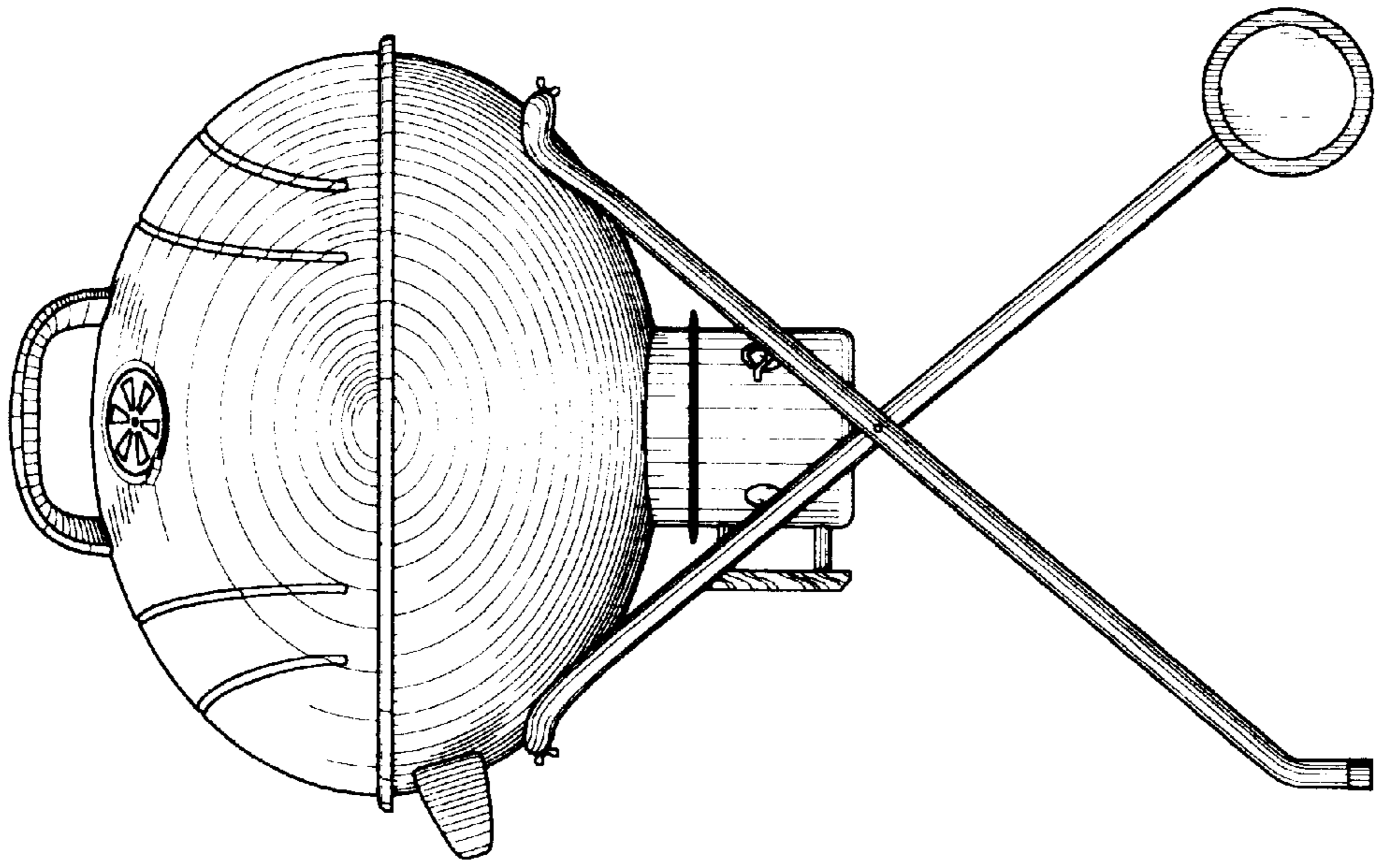


Fig. 2

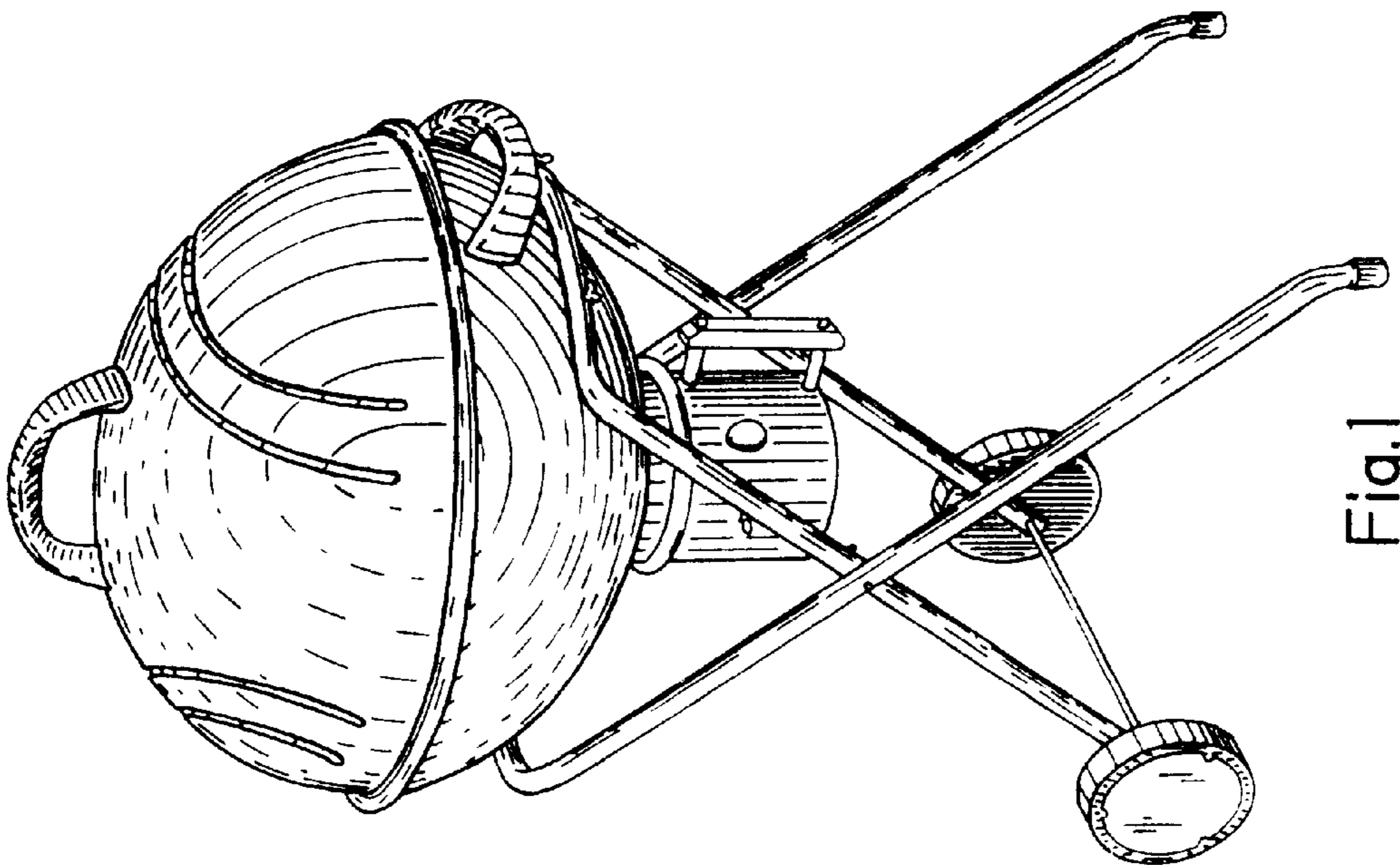


Fig. 1

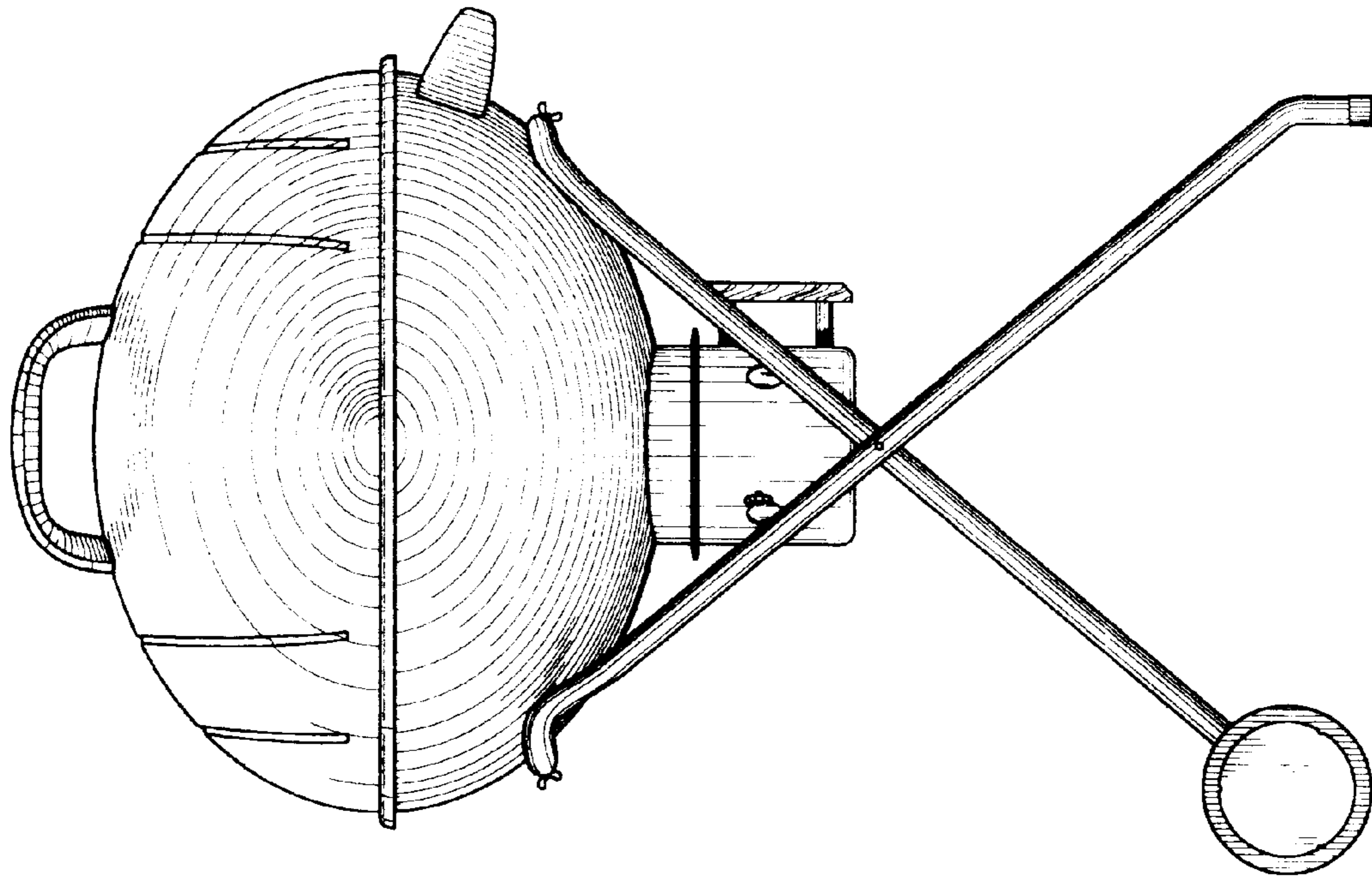


Fig.4

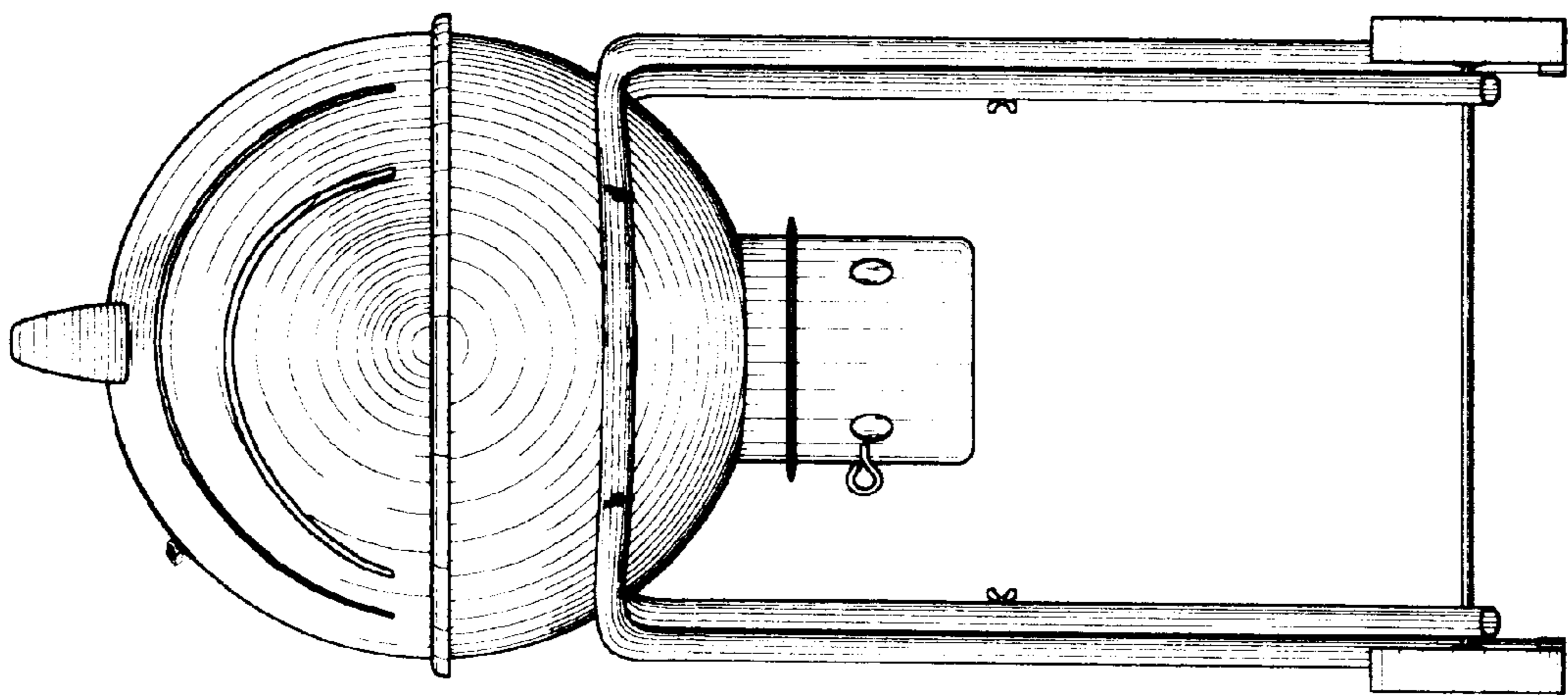


Fig.3

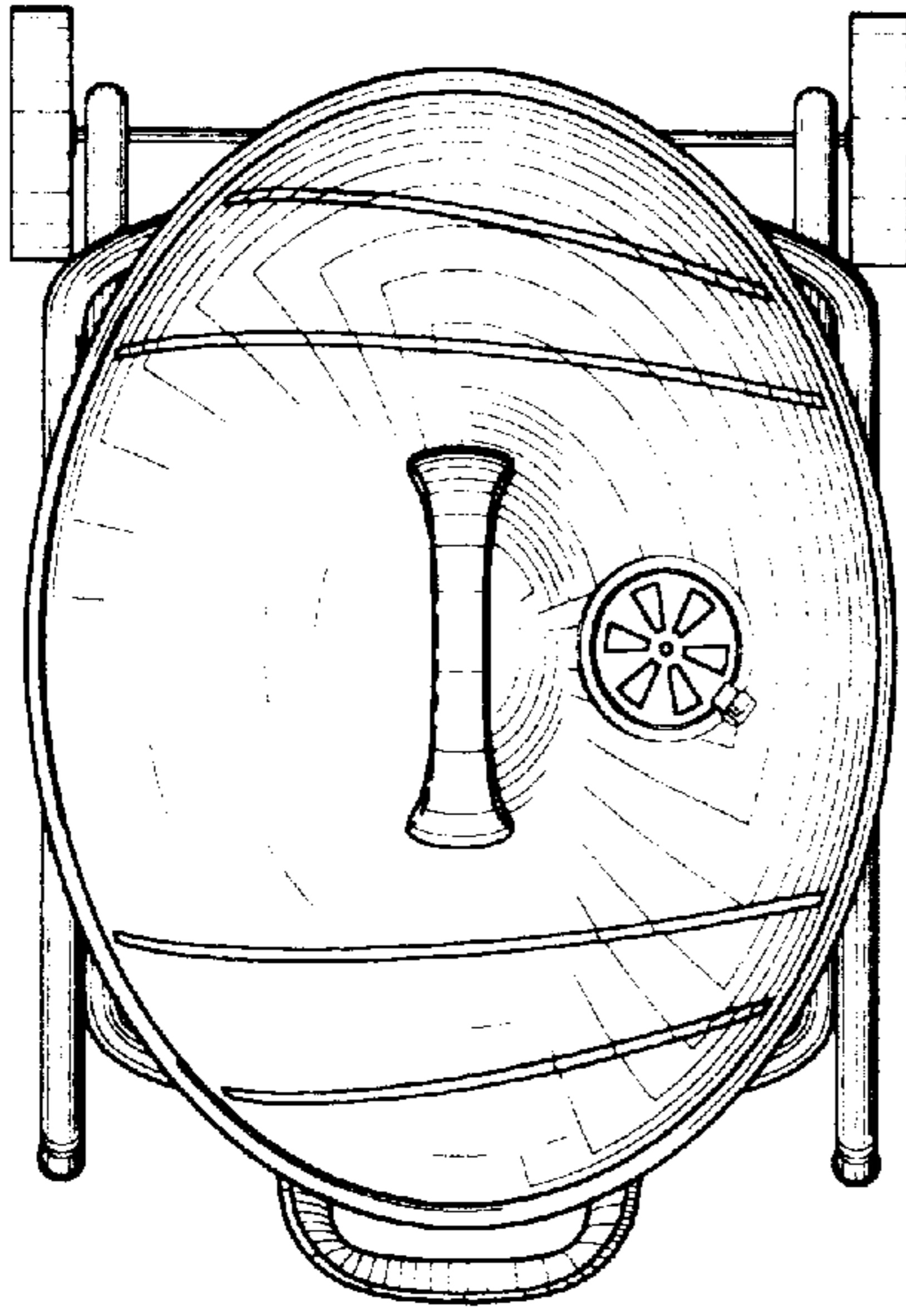


Fig.6

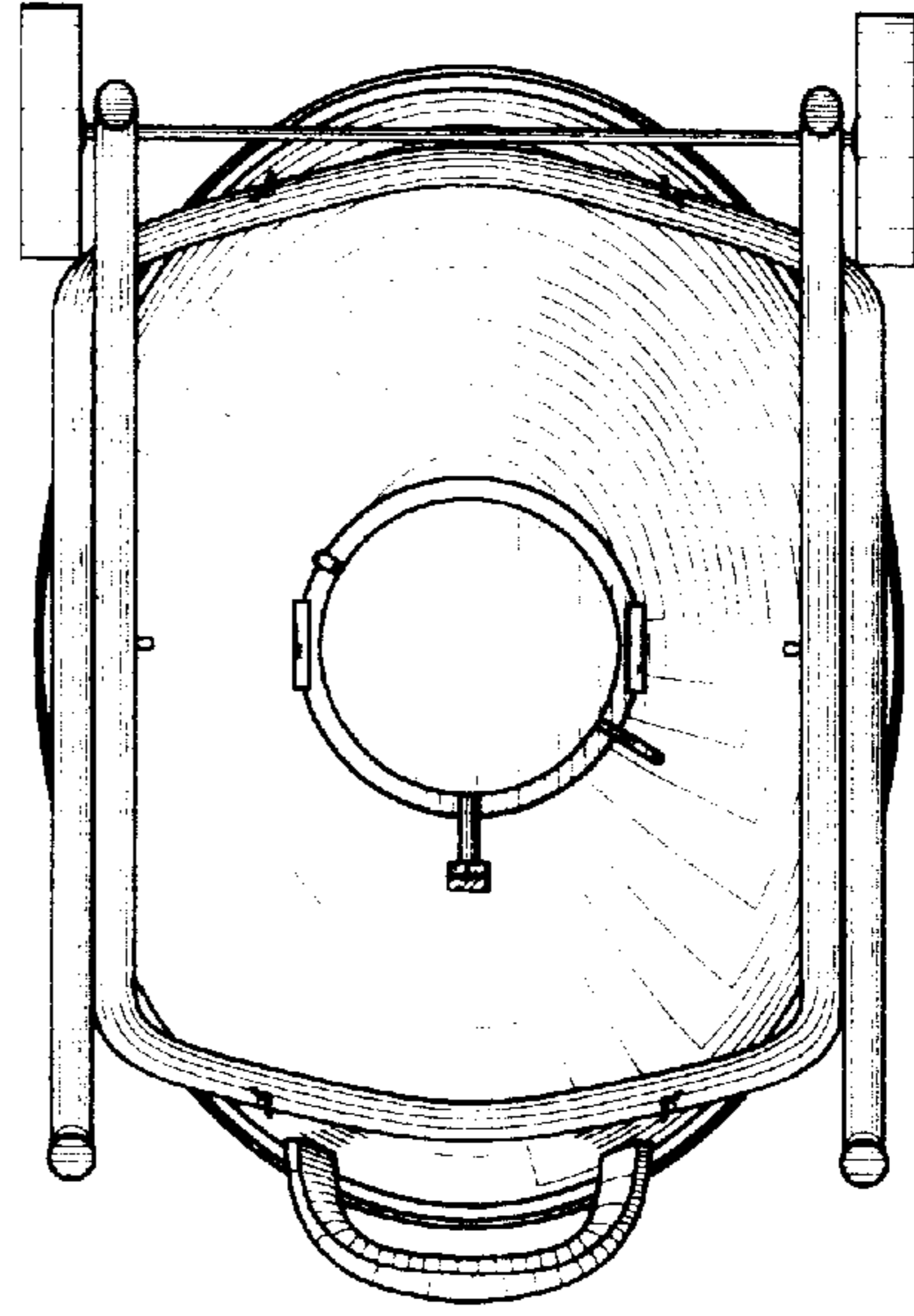


Fig.7

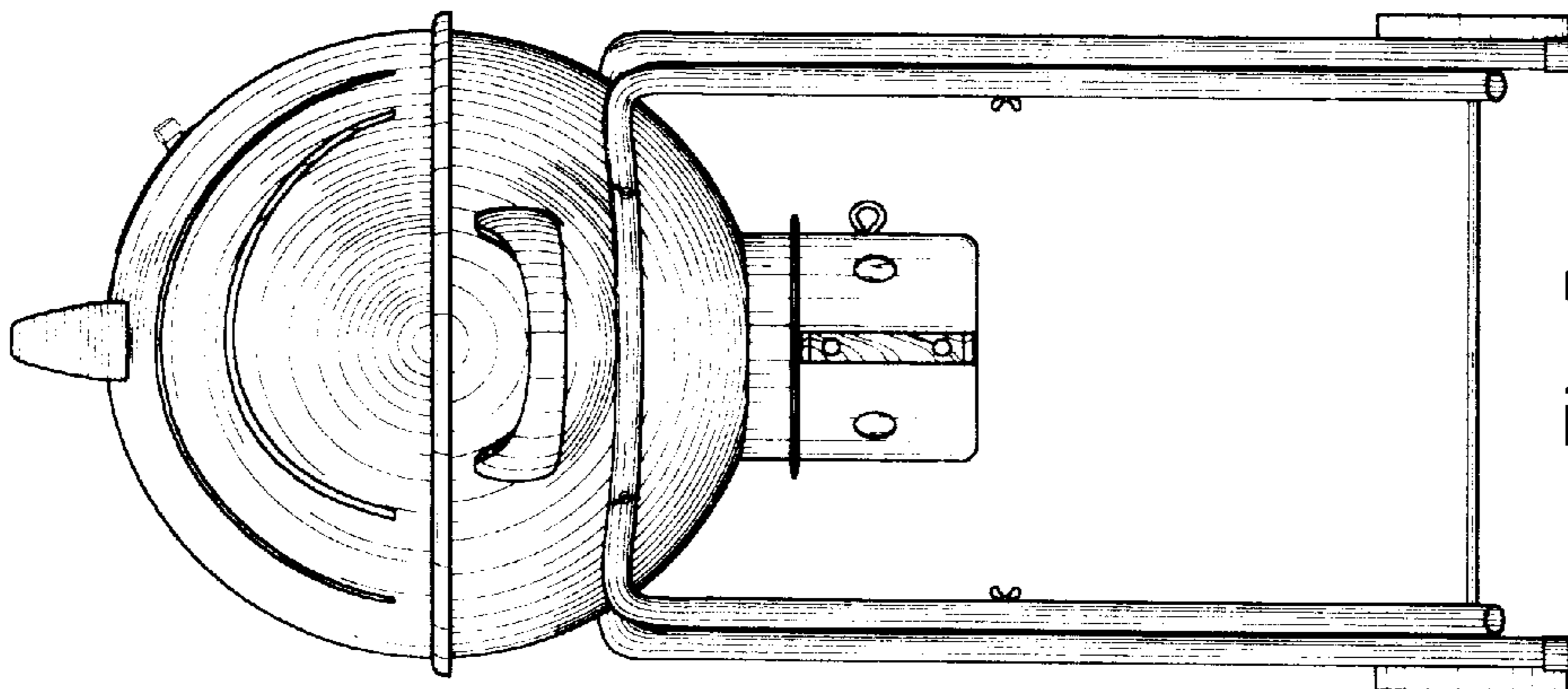


Fig.5