



US00D463708S

(12) **United States Design Patent**
Bossler

(10) **Patent No.:** **US D463,708 S**

(45) **Date of Patent:** **** Oct. 1, 2002**

- (54) **BENT LEG BARBECUE GRILL**
- (75) Inventor: **Martin C. Bossler**, Spring Grove, IL (US)
- (73) Assignee: **Uniflame Corporation**, Zion, IL (US)
- (**) Term: **14 Years**
- (21) Appl. No.: **29/146,525**
- (22) Filed: **Aug. 10, 2001**
- (51) **LOC (7) Cl.** **07-02**
- (52) **U.S. Cl.** **D7/334**
- (58) **Field of Search** D7/332, 334-337, D7/402-404; 126/25 R, 25 A, 25 AA, 9 R, 9 B, 29-30, 41 R; 99/421 R, 444

- D409,436 S 5/1999 Smith D7/332
- D412,086 S * 7/1999 Bossler D7/402
- D426,419 S * 6/2000 Kuo D7/334
- D428,760 S * 8/2000 Huang D7/334
- D435,387 S * 12/2000 Pai D7/334

* cited by examiner

Primary Examiner—Ruth McInroy

(74) *Attorney, Agent, or Firm*—Greer, Burns & Crain, Ltd.

(57) **CLAIM**

The ornamental design for a bent leg barbecue grill, as shown and described.

DESCRIPTION

FIG. 1 is a perspective view of a bent leg barbecue grill showing my new design;
 FIG. 2 is a right side view thereof;
 FIG. 3 is a left side view thereof;
 FIG. 4 is a front view thereof;
 FIG. 5 is a rear view thereof;
 FIG. 6 is a top plan view thereof; and,
 FIG. 7 is a bottom plan view thereof.
 The broken lines showing the handles of the grill and the wheels of the cart are for illustrative purposes only and form no part of the claimed design.

(56) **References Cited**

U.S. PATENT DOCUMENTS

- 2,641,243 A 6/1953 Goss D126/25
- D219,413 S * 12/1970 Glaser et al. D7/334
- 3,611,915 A 10/1971 Glaser et al.
- D223,042 S 2/1972 Wilkinson et al. D81/10
- D295,135 S * 4/1988 Ogden D7/334
- 5,111,802 A * 5/1992 Lin 126/25 R
- D350,668 S * 9/1994 Giebel et al. D7/334
- 5,355,558 A 10/1994 Vertanen 16/360

1 Claim, 4 Drawing Sheets

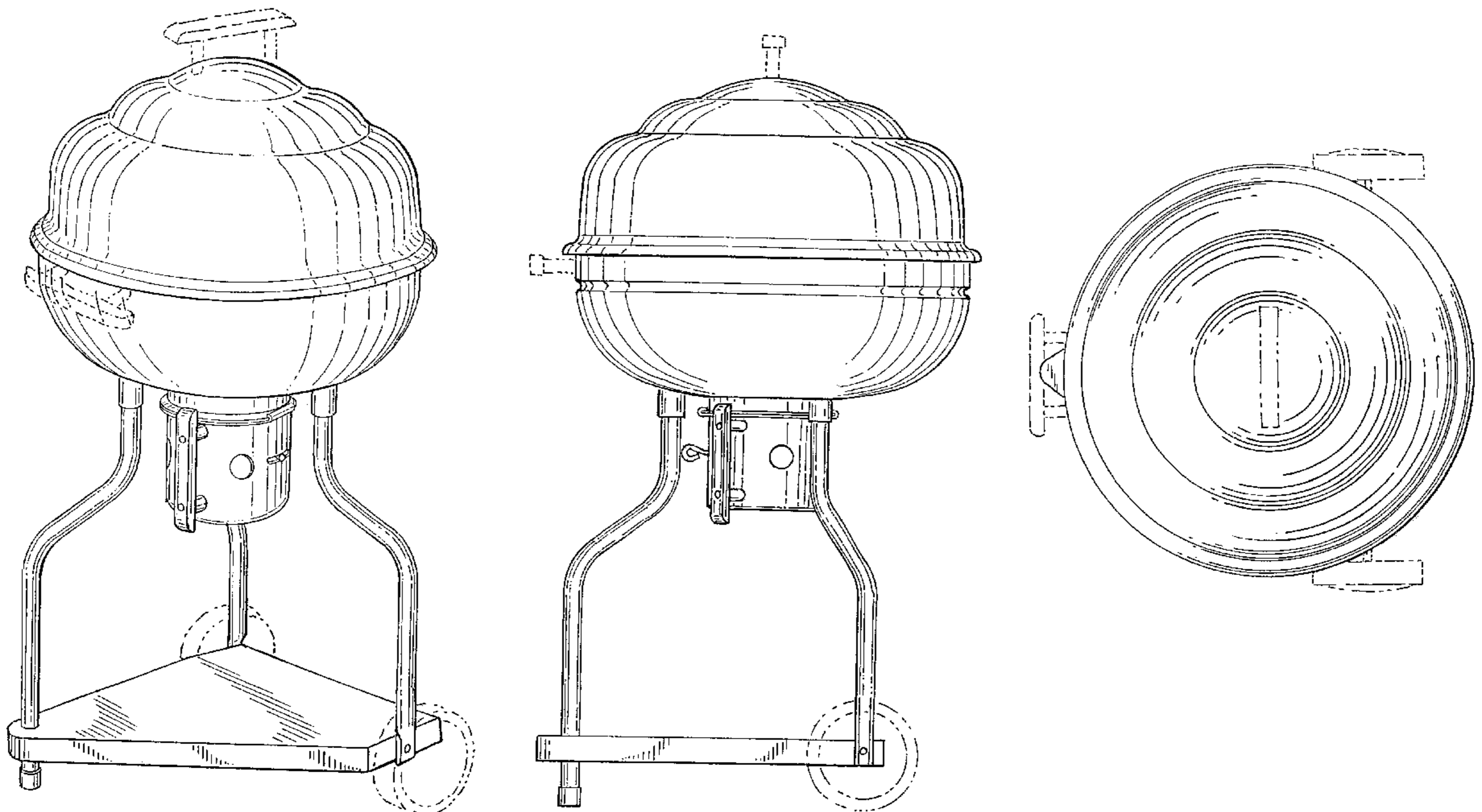
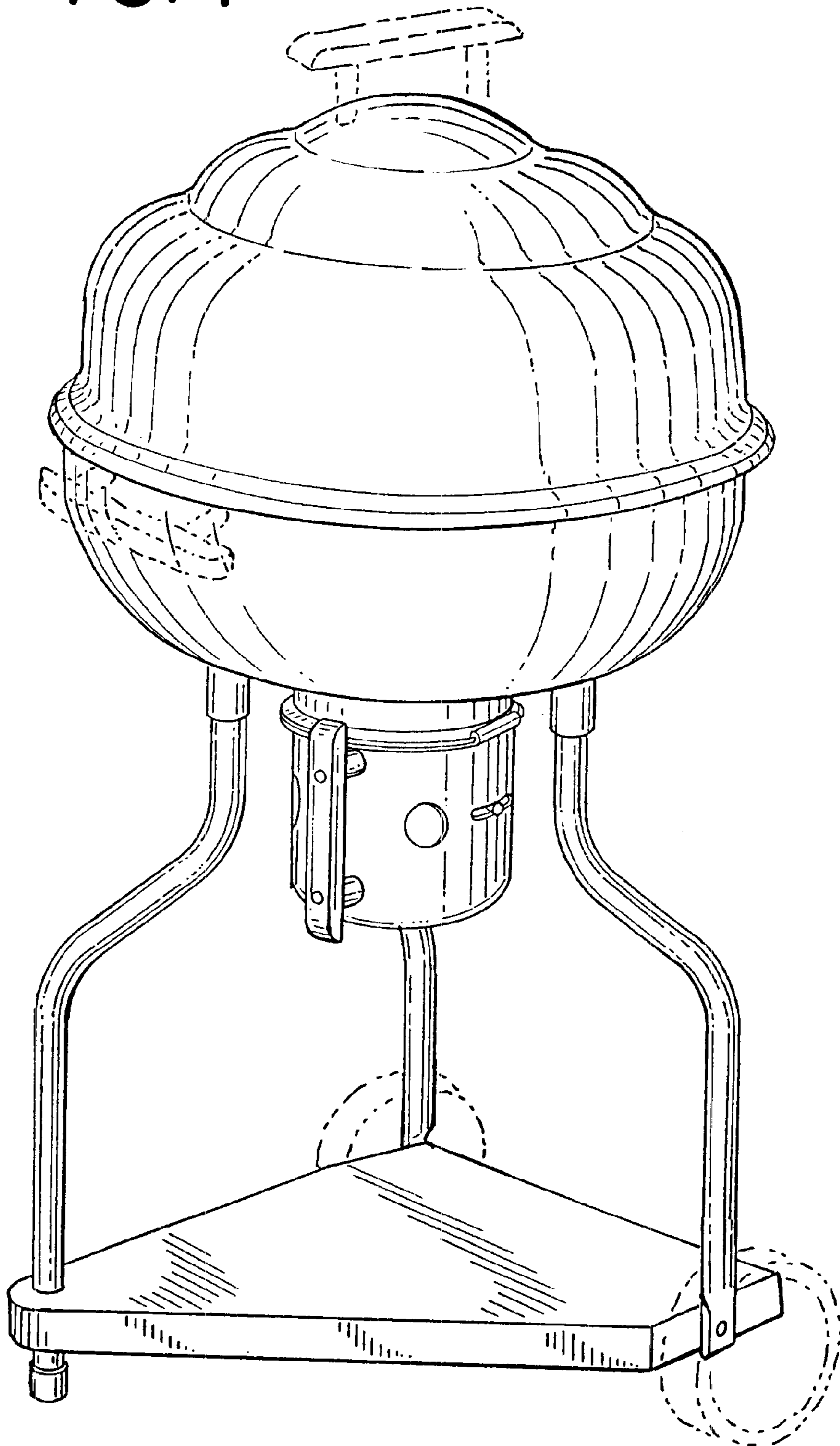


FIG. 1



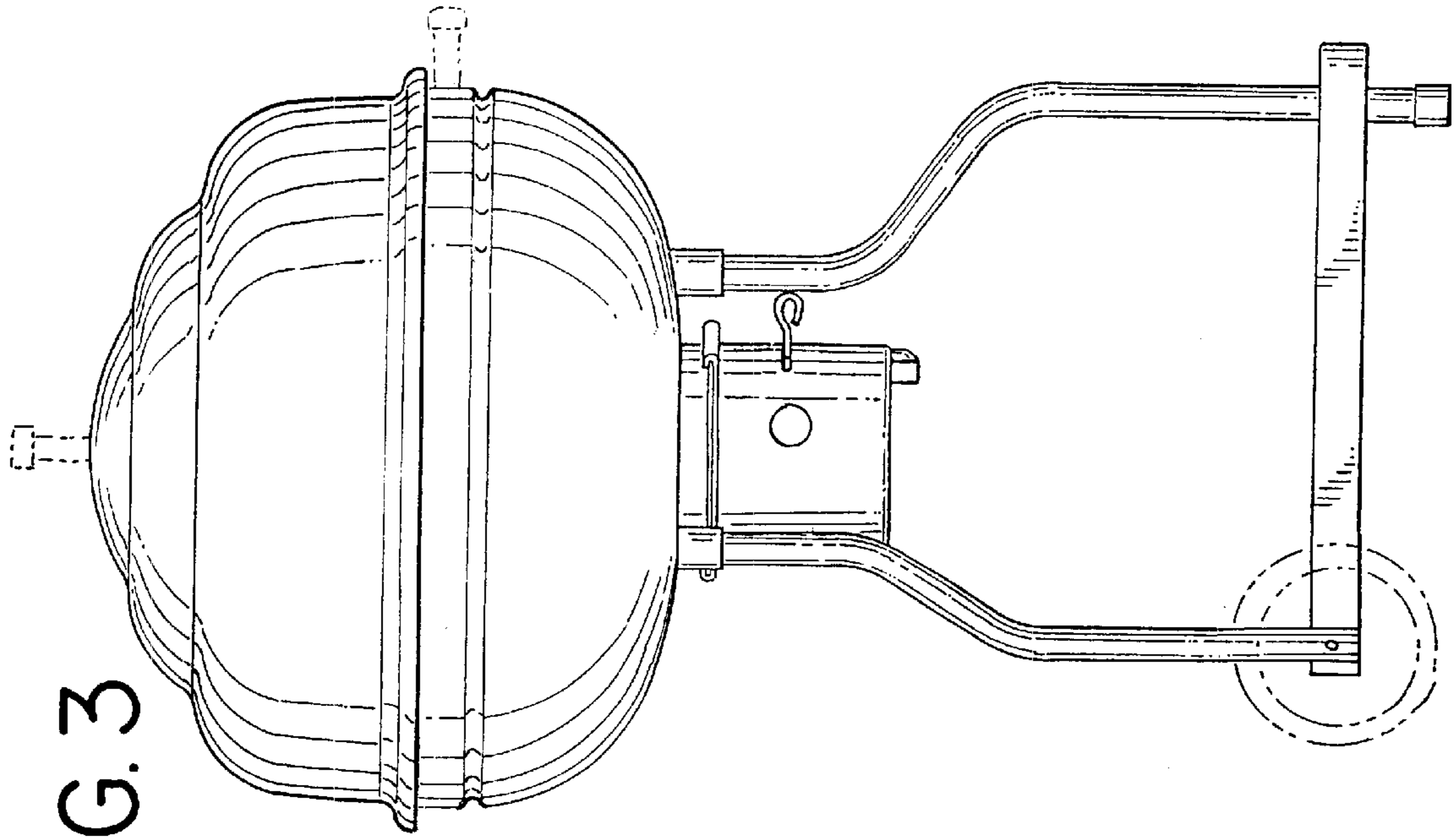


FIG. 3

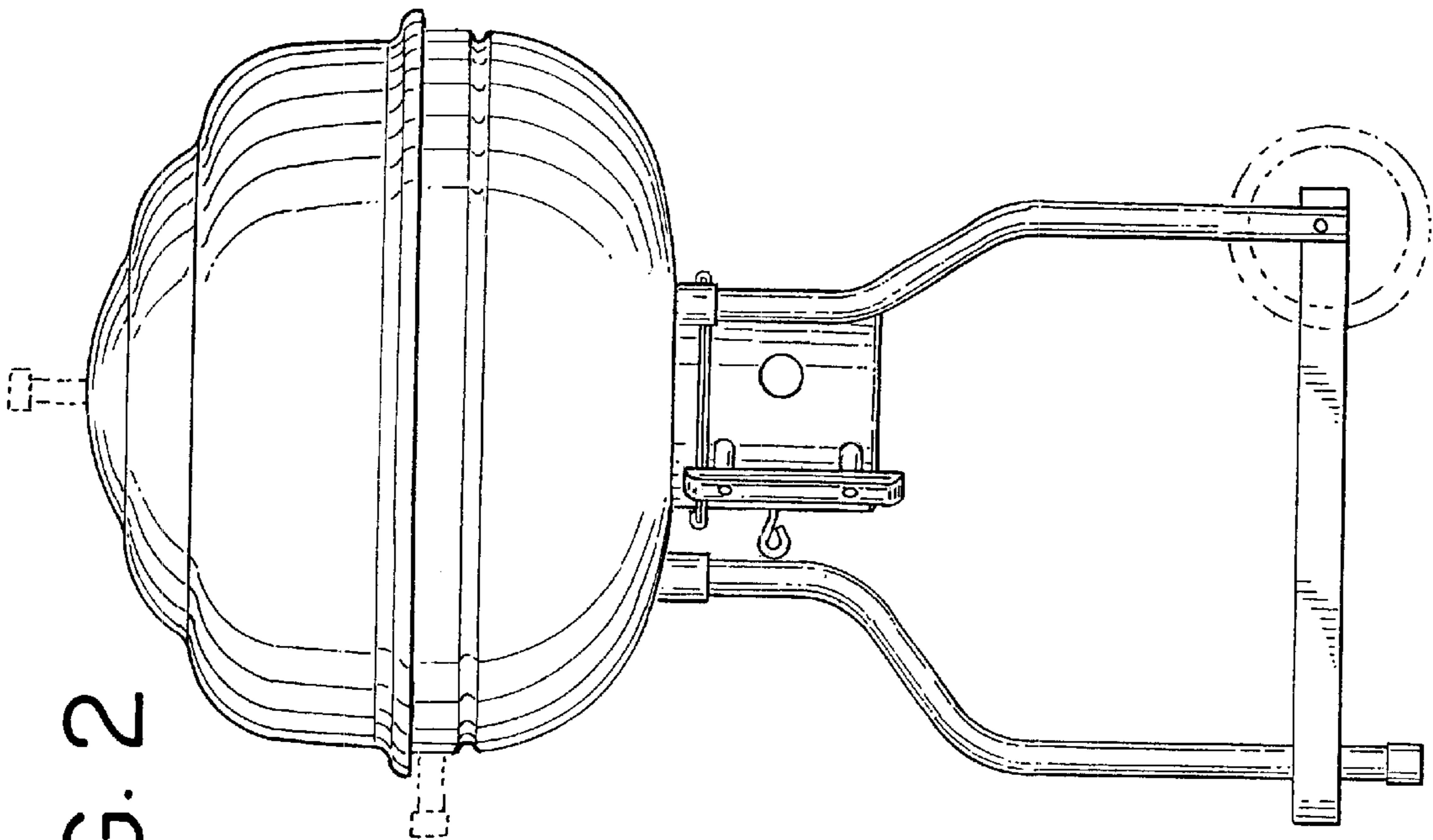


FIG. 2

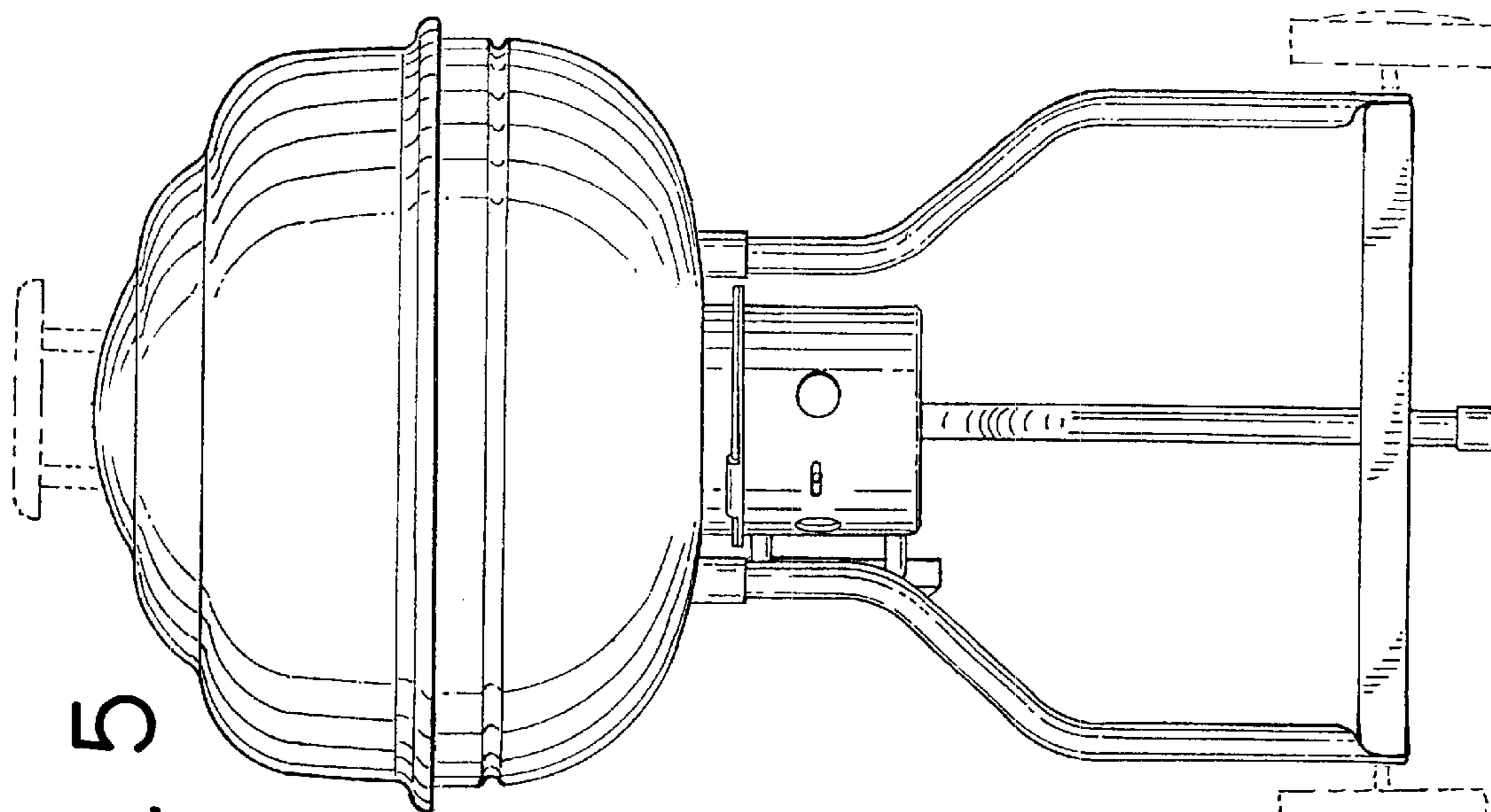


FIG. 5

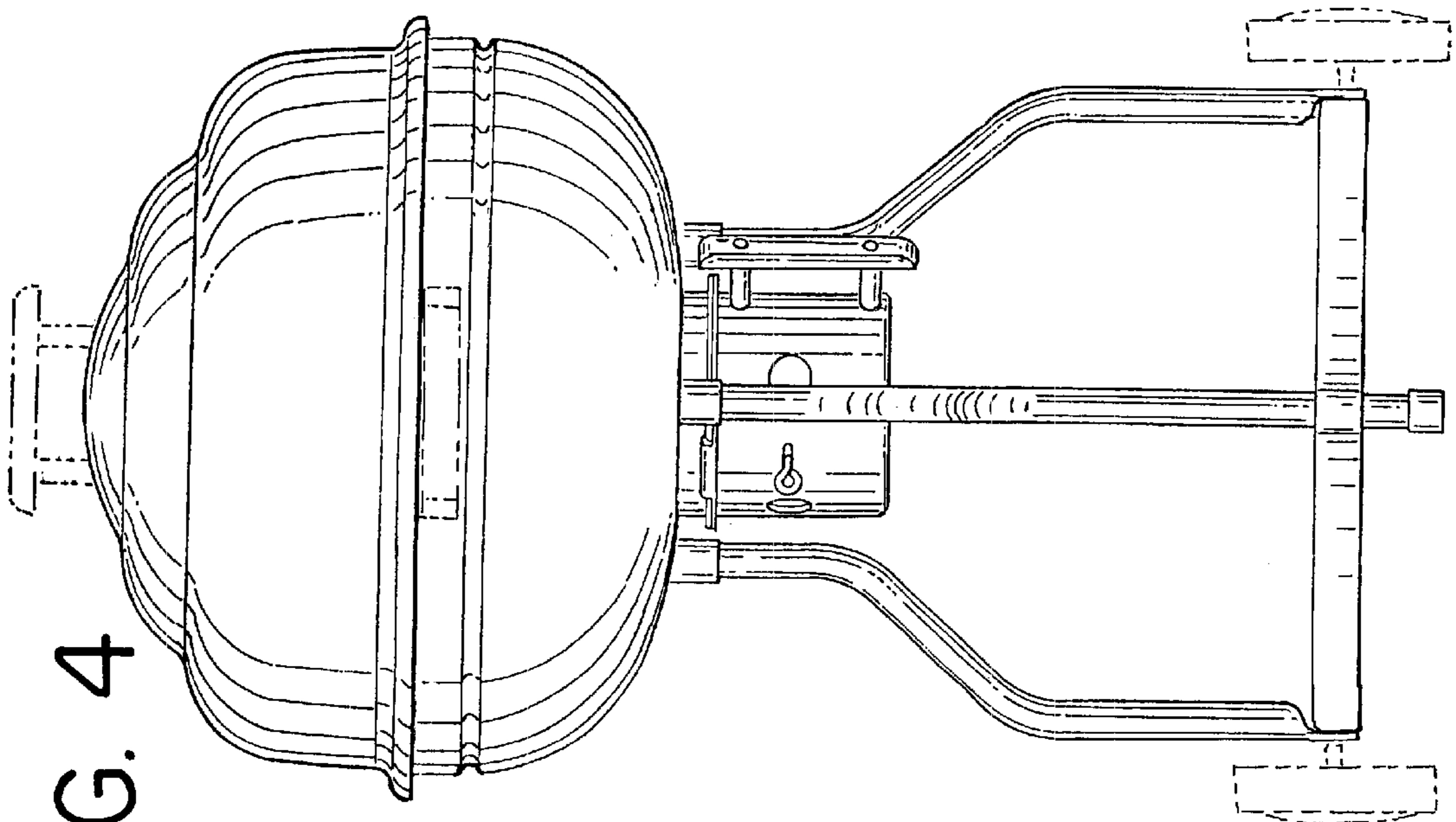


FIG. 4

FIG. 6

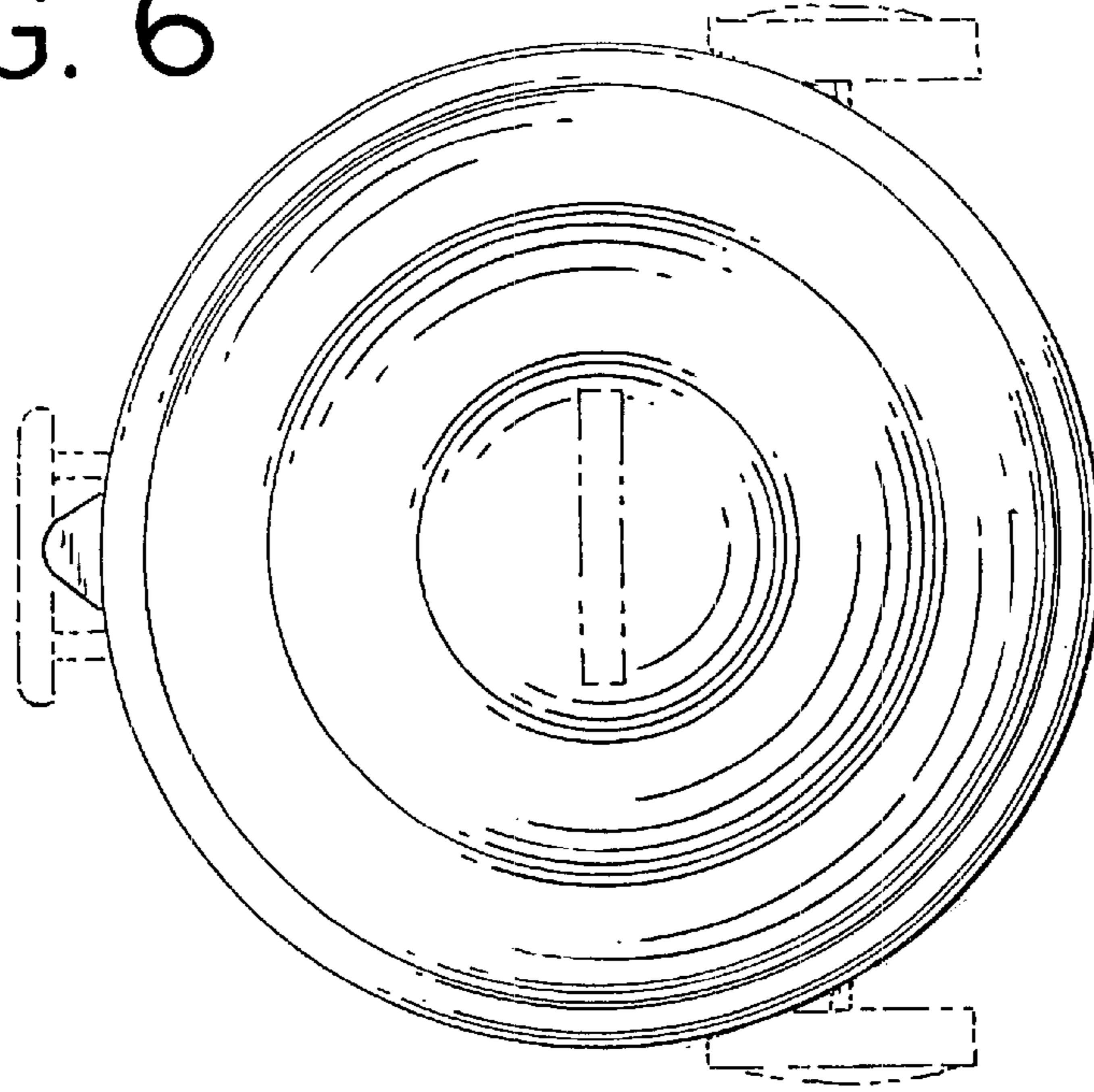


FIG. 7

