



US00D463706S

(12) **United States Design Patent**
Lecerf

(10) **Patent No.:** **US D463,706 S**

(45) **Date of Patent:** **** Oct. 1, 2002**

(54) **KETTLE**

(75) Inventor: **Thierry Lecerf**, Caluire et Cuire (FR)

(73) Assignee: **Tefal S.A.**, Rumilly (FR)

(**) Term: **14 Years**

(21) Appl. No.: **29/143,855**

(22) Filed: **Jun. 22, 2001**

(30) **Foreign Application Priority Data**

Dec. 22, 2000 (FR) 00 7529

(51) **LOC (7) Cl.** **07-01**

(52) **U.S. Cl.** **D7/317; D7/319; D7/322**

(58) **Field of Search** D7/300, 600, 598,
D7/316, 317, 318, 319, 322; 220/293, 379,
835; 229/123.2; 210/282, 470; 215/314,
12.1; 222/470, 134, 465.1, 556, 545

(56) **References Cited**

U.S. PATENT DOCUMENTS

- D285,160 S * 8/1986 Osit D7/317
- D335,238 S * 5/1993 Correa et al. D7/317
- D343,983 S * 2/1994 Tardif D7/319
- D345,670 S * 4/1994 Piret D7/319
- D362,151 S * 9/1995 Wilson et al. D7/319

- D389,369 S * 1/1998 Hippen D7/319
- D396,378 S * 7/1998 Hensel D7/319
- D413,481 S * 9/1999 Choi D7/319
- D416,163 S * 11/1999 Doritty et al. D7/319
- D427,478 S * 7/2000 Littmann et al. D7/318
- D430,449 S * 9/2000 Yeh D7/319
- D436,790 S * 1/2001 Saltet D7/319
- D437,175 S * 2/2001 Brady D7/319
- D439,466 S * 3/2001 Bouhuys D7/319

* cited by examiner

Primary Examiner—M. N. Pandozzi

(74) *Attorney, Agent, or Firm*—Young & Thompson

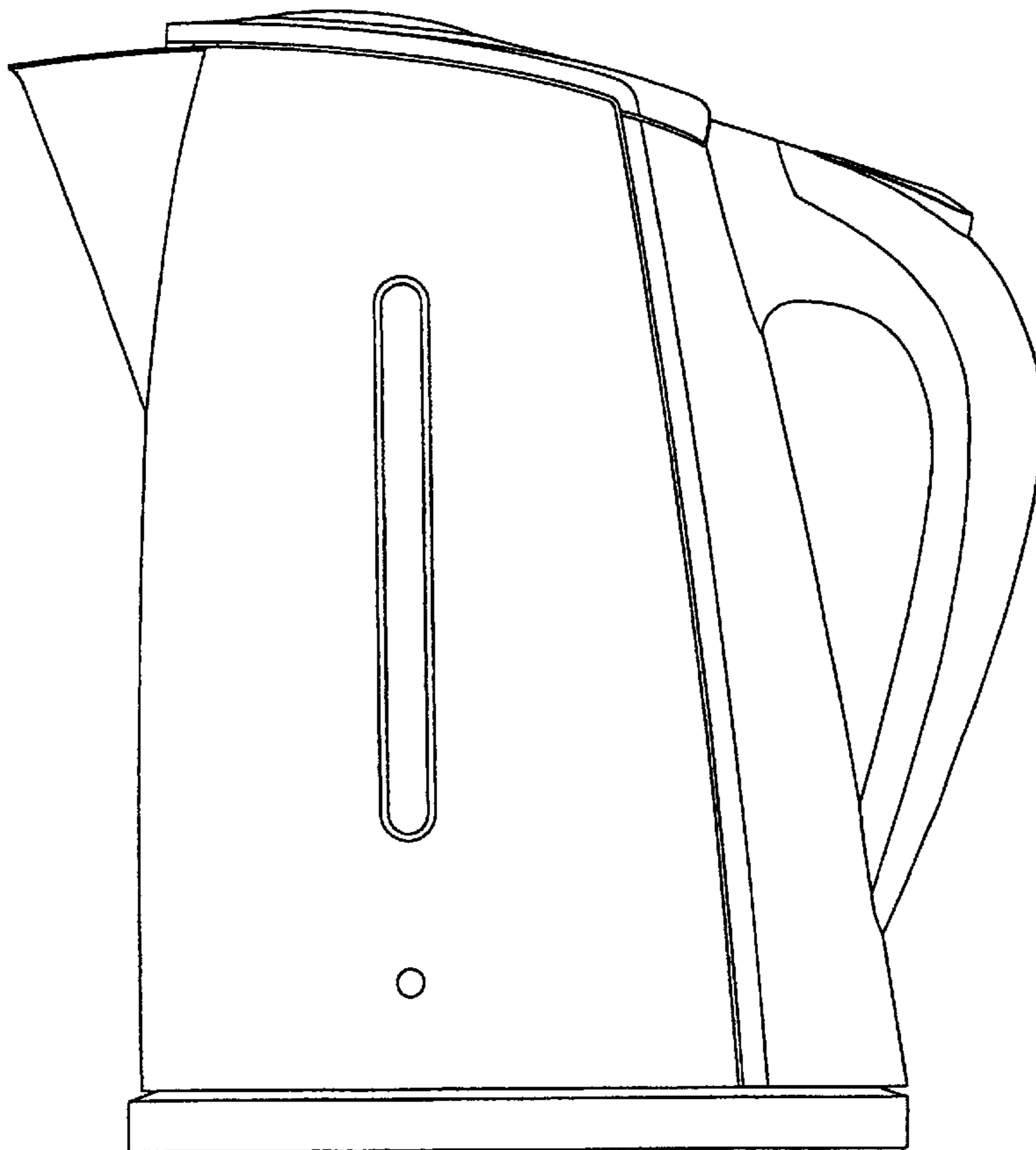
(57) **CLAIM**

The ornamental design for a kettle, as shown and described.

DESCRIPTION

FIG. 1 is a front, top and side perspective view of a kettle showing my new design;
 FIG. 2 is a rear, top and side perspective view thereof;
 FIG. 3 is a front elevational view thereof;
 FIG. 4 is a side elevational view thereof from the right of FIG. 3, the side opposite that shown in FIG. 4 being the mirror image thereof;
 FIG. 5 is a rear elevational view thereof; and,
 FIG. 6 is a top plan view thereof.

1 Claim, 6 Drawing Sheets



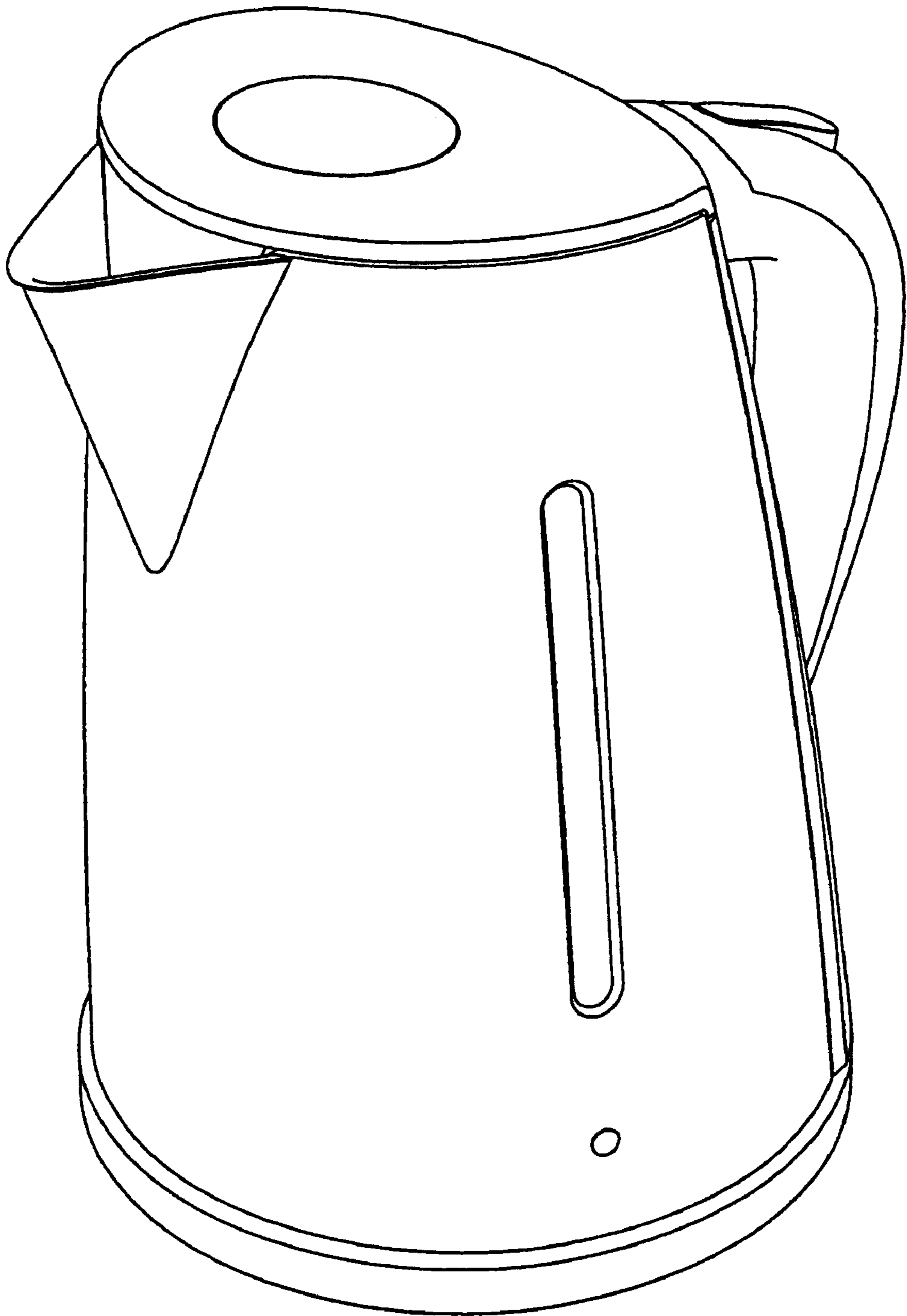


Fig. 1

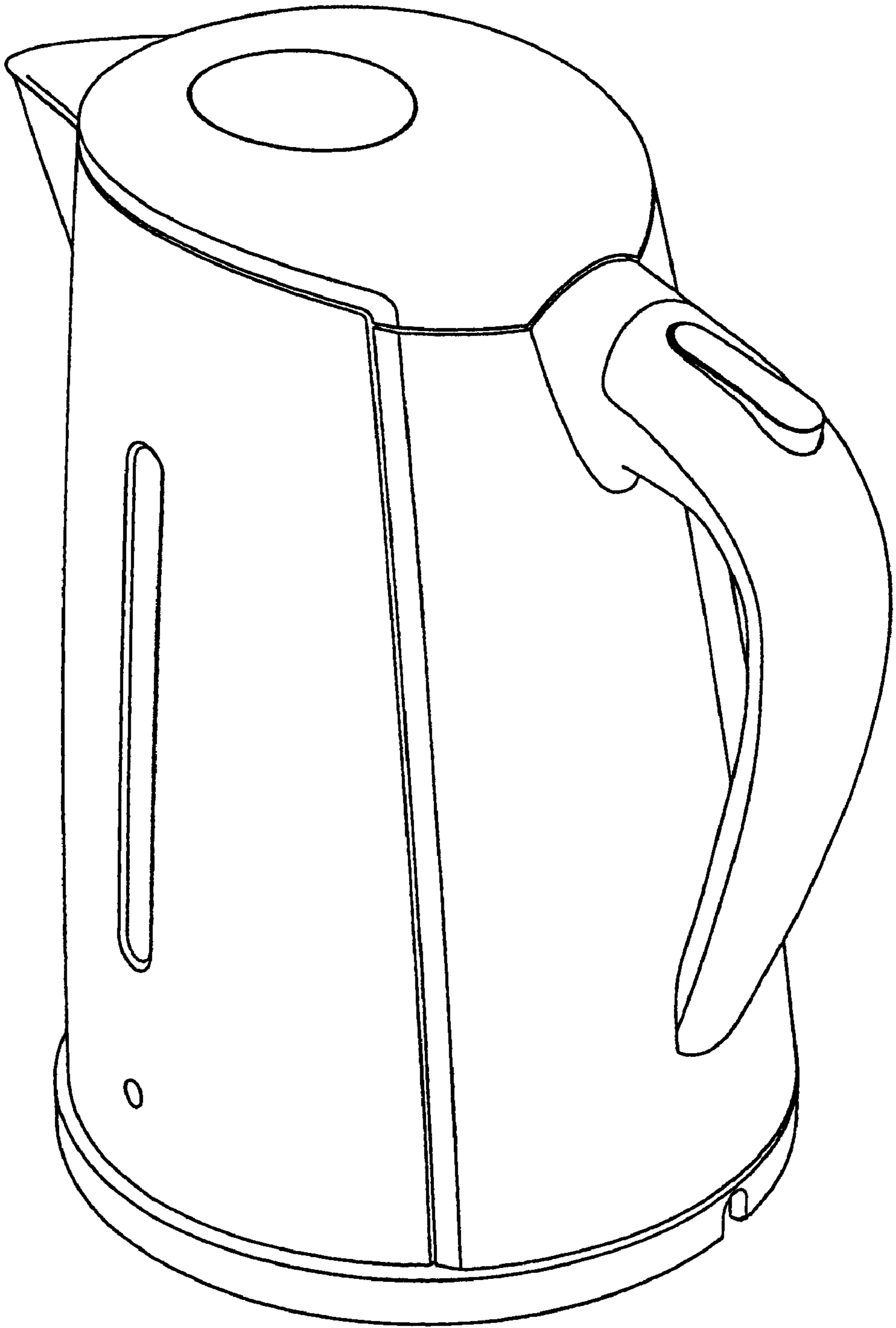


Fig. 2

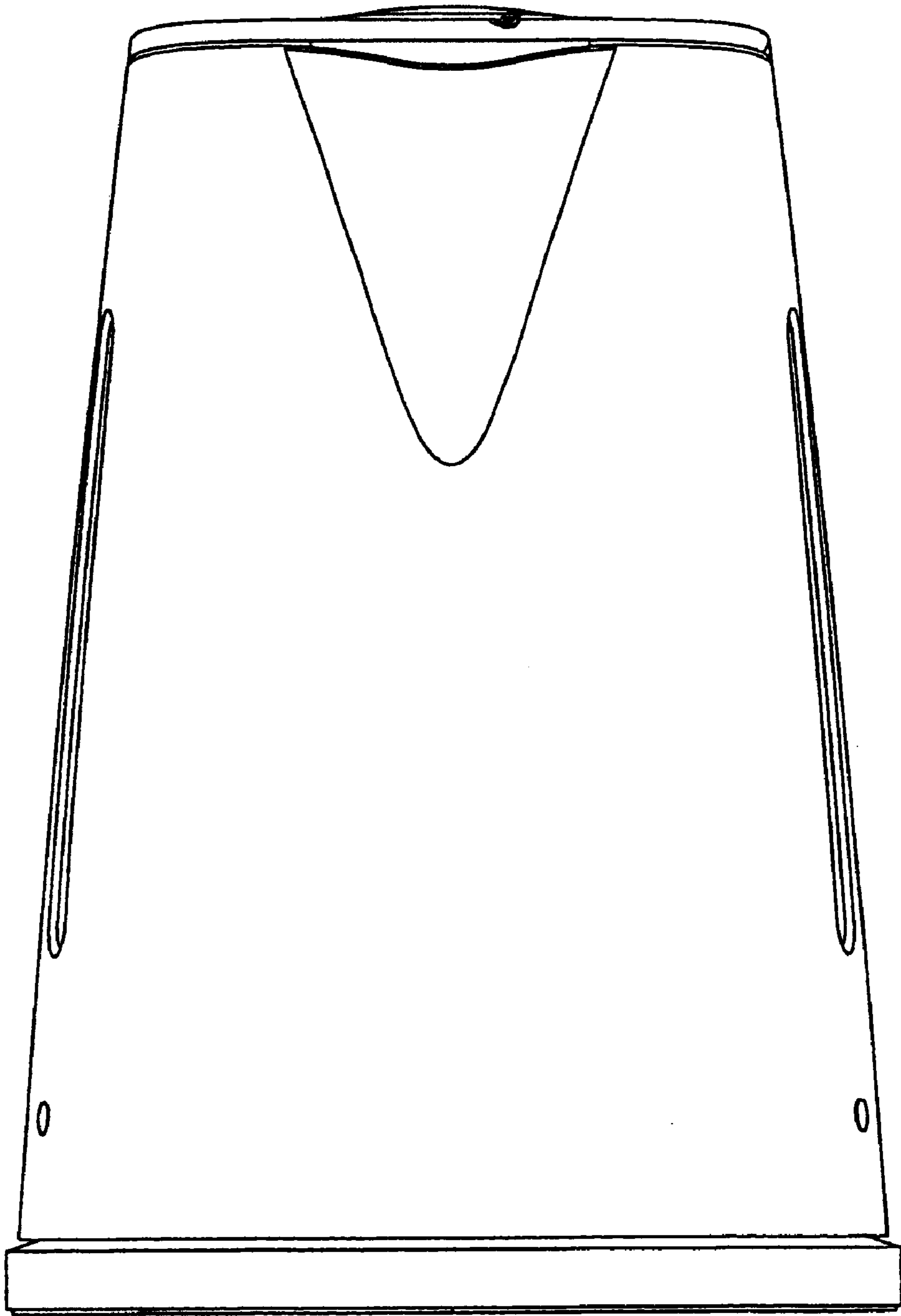


Fig. 3

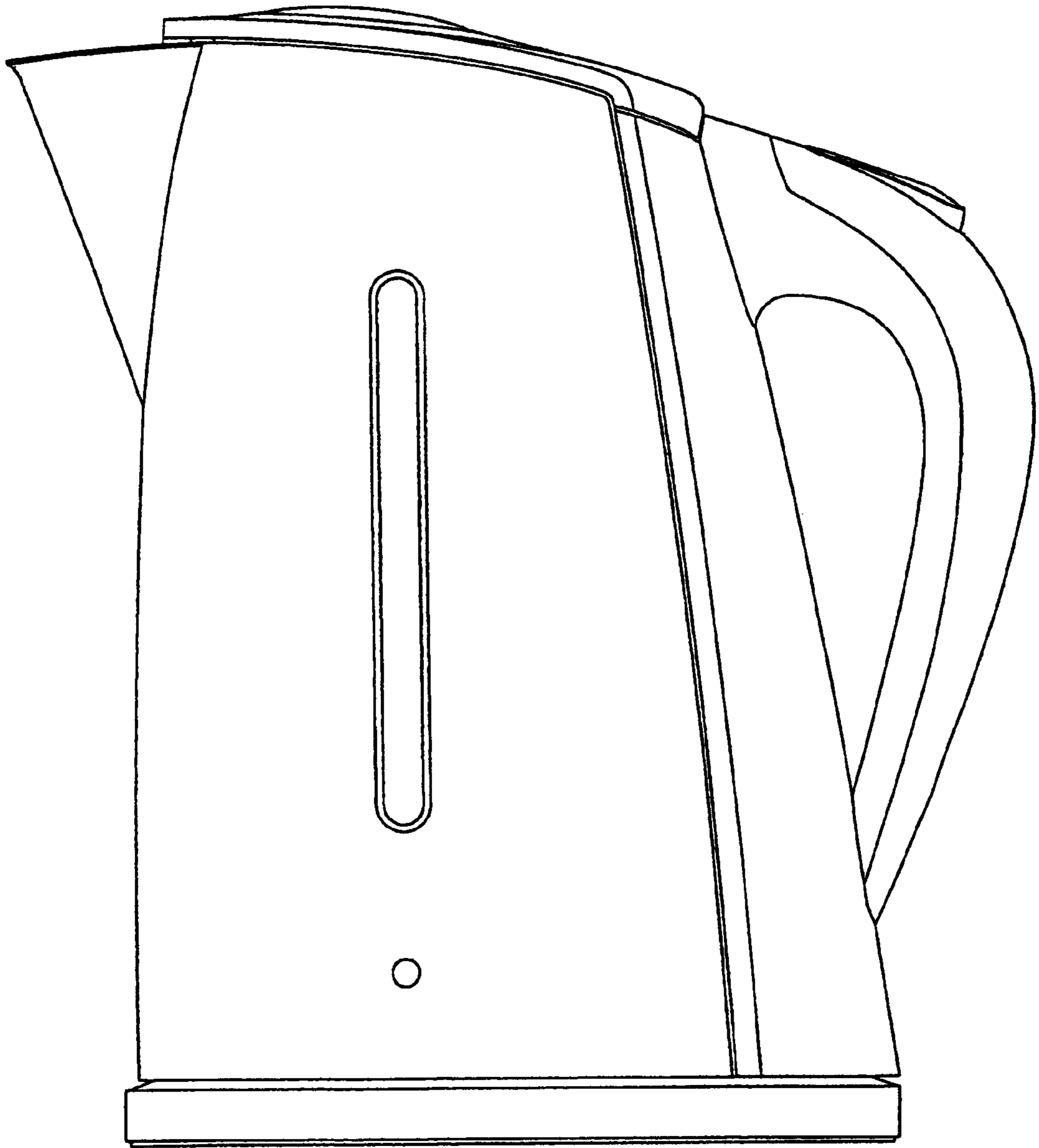


Fig. 4

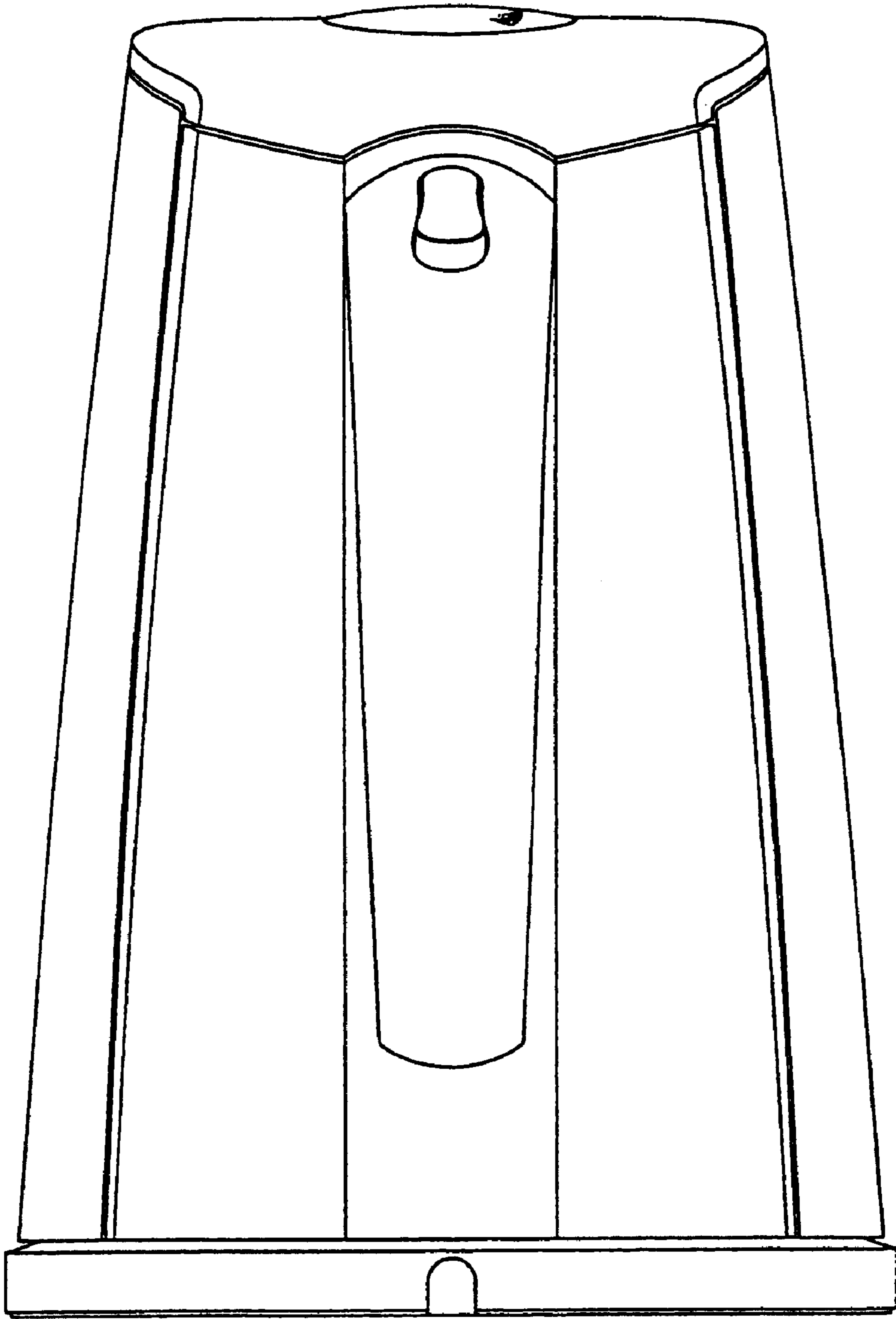


Fig. 5

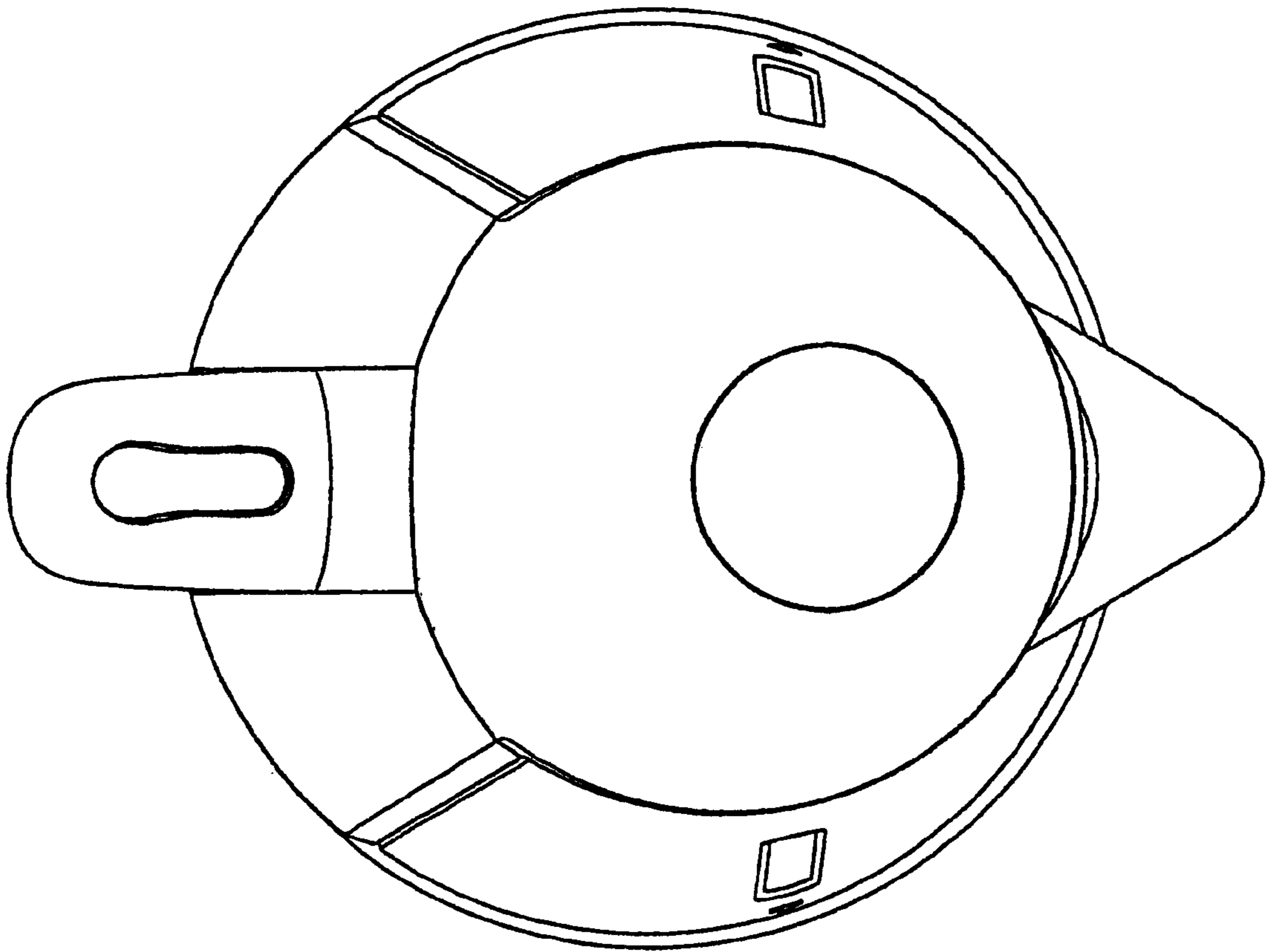


Fig. 6