



US00D463705S

(12) **United States Design Patent**
Chaput

(10) **Patent No.:** **US D463,705 S**

(45) **Date of Patent:** **** Oct. 1, 2002**

(54) **GOLF-BAG BEVERAGE DISPENSER**

(76) Inventor: **Robert Chaput**, 967 Falconbridge Road, Sudbury, Ontario (CA), P3A 5K8

(**) Term: **14 Years**

(21) Appl. No.: **29/149,715**

(22) Filed: **Oct. 17, 2001**

(51) **LOC (7) Cl.** **07-99**

(52) **U.S. Cl.** **D7/301; D7/515-507**

(58) **Field of Search** D7/510, 511, 301, D7/507, 604, 515, 312, 623; 164/377, 237; 220/714, 802; 222/209, 129.1; 312/204; D9/307; 215/307; D21/733, 734

(56) **References Cited**

U.S. PATENT DOCUMENTS

D126,813 S	*	4/1941	Karoff	D9/307
D187,401 S	*	3/1960	Whittle	D9/307
D234,181 S	*	1/1975	Haswell	D7/623
D303,601 S	*	9/1989	Silveira	D7/515
D313,534 S	*	1/1991	Stadtmueller	D7/515
D327,422 S	*	6/1992	Laing	D9/307
D347,968 S	*	6/1994	Friedman	D7/515
D349,556 S	*	8/1994	Ferger	D7/301
D360,805 S	*	8/1995	Friedman	D7/515
D373,508 S	*	9/1996	Shin	D7/515
D374,797 S	*	10/1996	Squire et al.	D7/515
5,607,211 A	*	3/1997	Henninger et al.	312/204
D380,123 S	*	6/1997	Friedlander	D21/733
D408,684 S	*	4/1999	Helm	D7/510

* cited by examiner

Primary Examiner—M. N. Pandozzi

(74) *Attorney, Agent, or Firm*—Mike M. Gauthier

(57) **CLAIM**

I claim the ornamental design for the golf-bag beverage dispenser, as shown and described.

DESCRIPTION

The present design relates to an accessory beverage dispensing system adapted to releasably attach to a conventional golf bag. The beverage dispensing system of the present design consists of; a beverage container having a battery-powered fluid pump in communication with the contents within the above-mentioned container, a golf driver head having bag attaching means, momentary switching means for actuating said pump and a dispensing spout. By depressing the momentary switch, the fluid pump is actuated and fluid from the beverage container is then pumped upwardly through a tube in communication with the dispensing spout located on said golf driver head.

FIG. 1 is a perspective view from above of the golf-bag beverage dispenser of the present design as attached to a conventional golf bag.

FIG. 2 is a front elevation view of the golf-bag beverage dispenser of the present design.

FIG. 3 is a side elevation view of the golf-bag beverage dispenser of the present design.

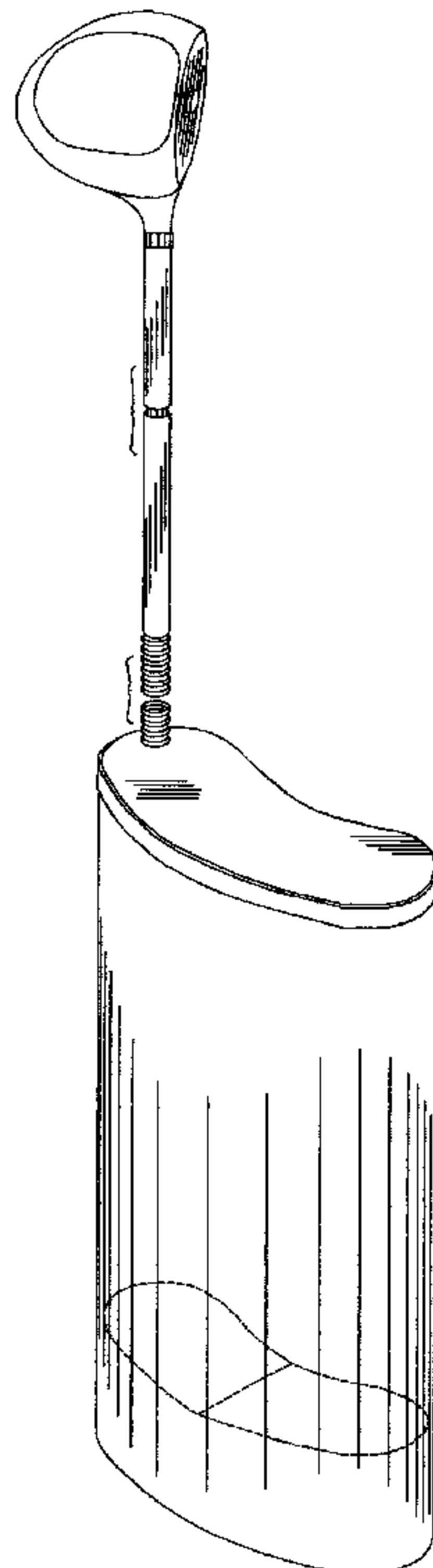
FIG. 4 is a rear elevation view of the golf-bag beverage dispenser of the present design.

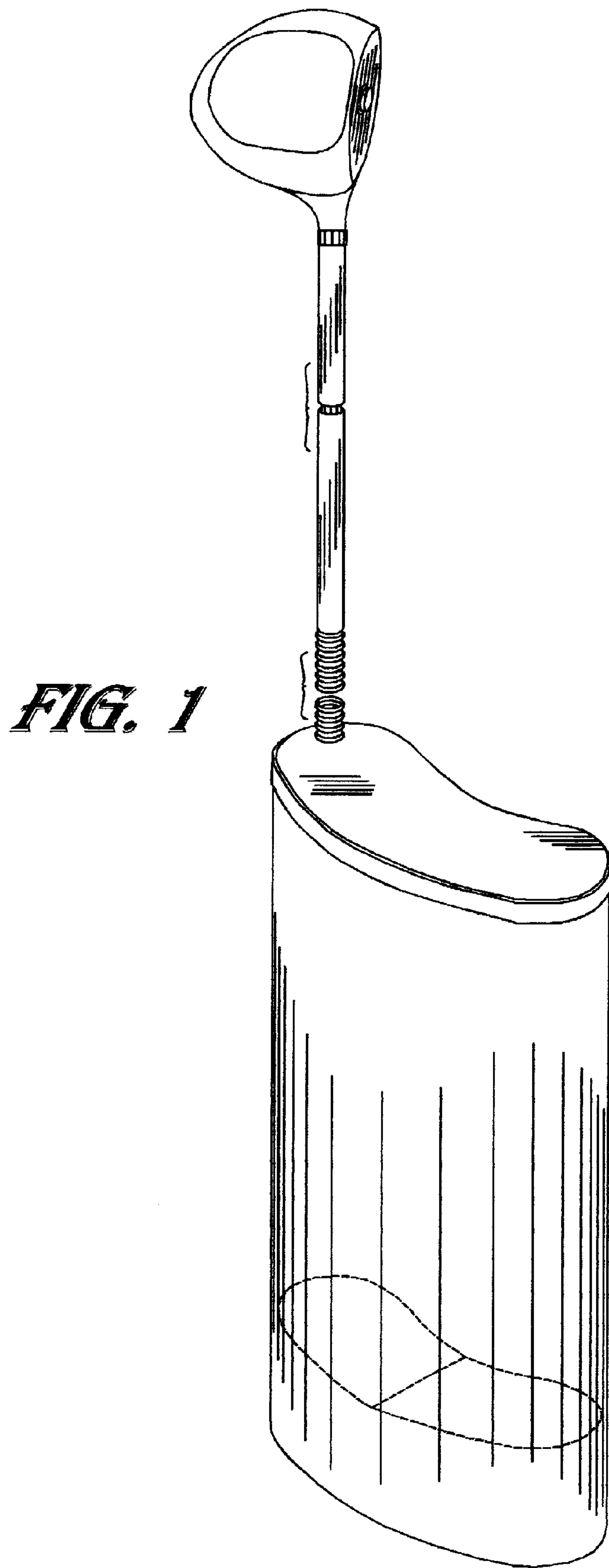
FIG. 5 is an opposite side elevation view of FIG. 3 of the golf-bag beverage dispenser of the present design.

FIG. 6 is an enlarged top plan view thereof; and,

FIG. 7 is an enlarged bottom plan view thereof.

1 Claim, 4 Drawing Sheets





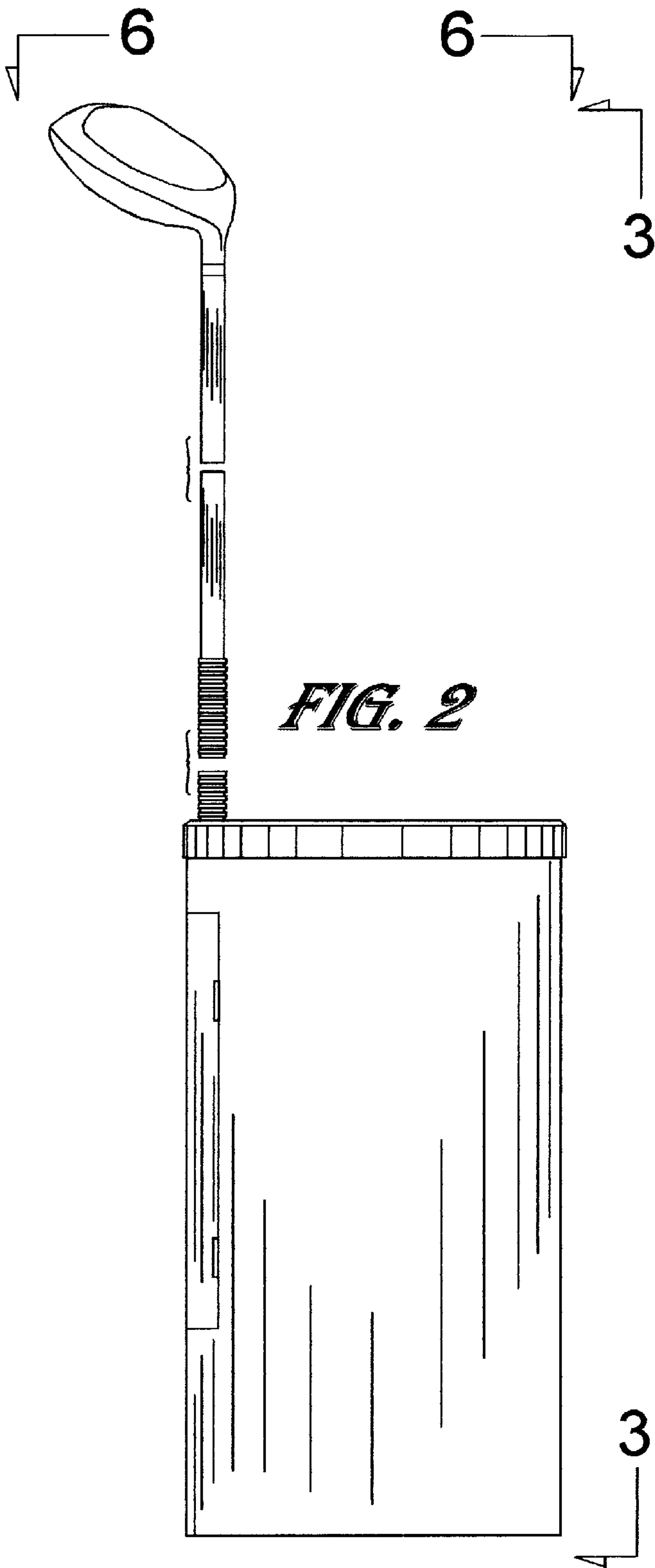


FIG. 2

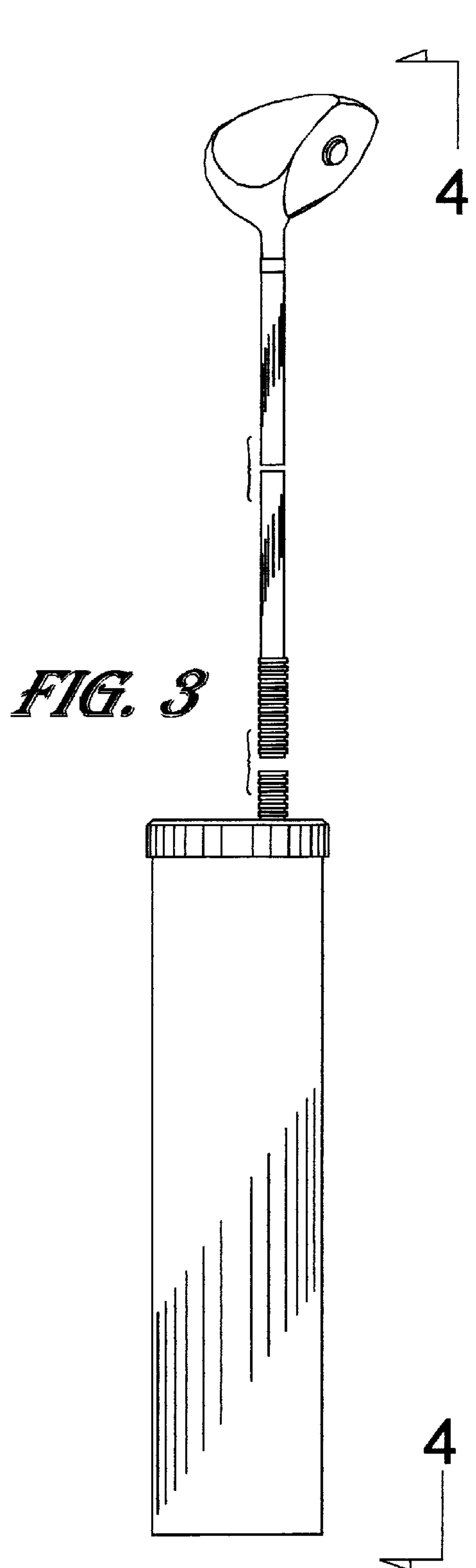


FIG. 3

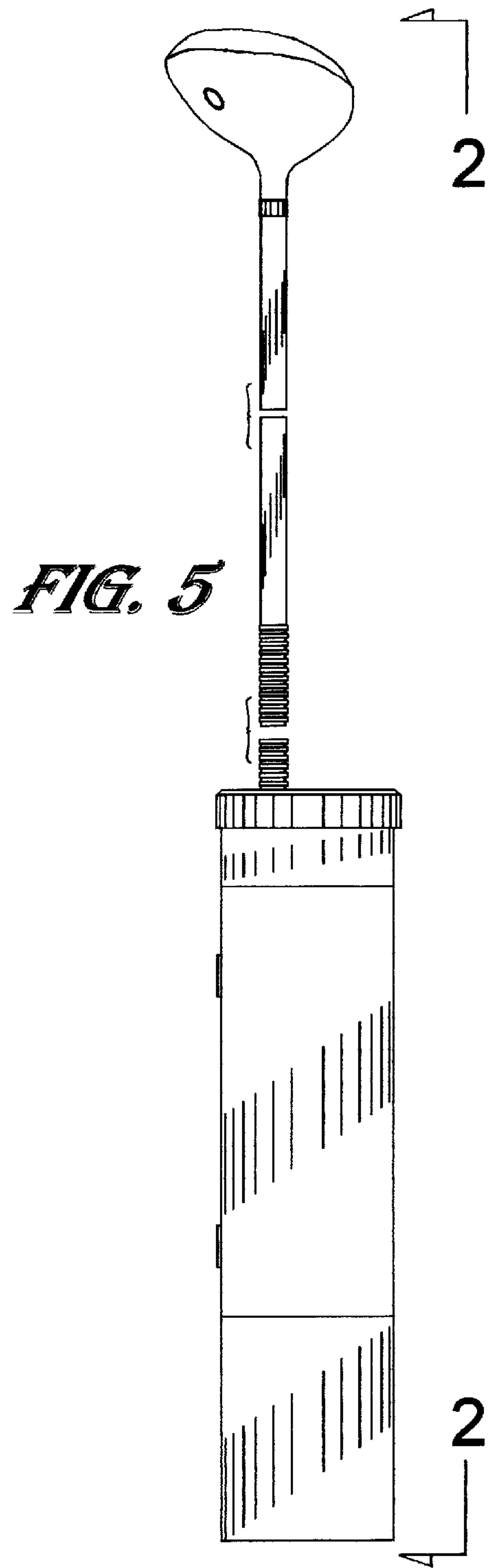
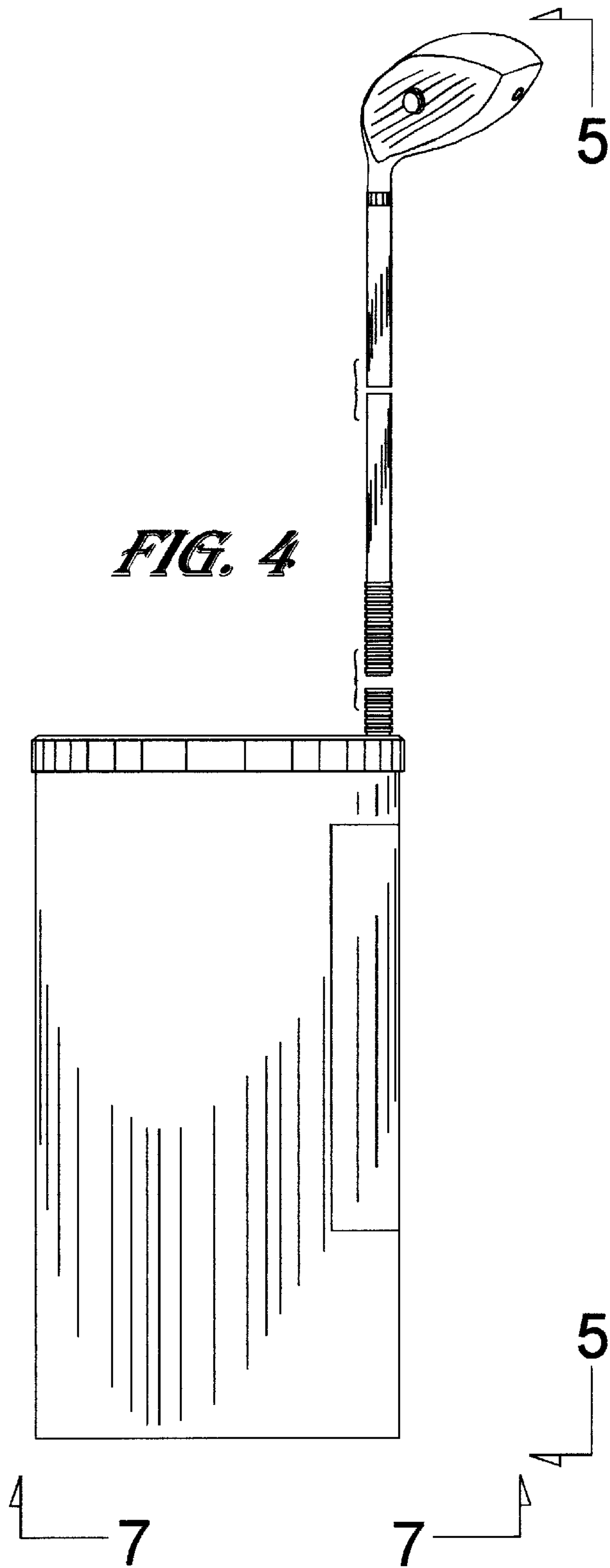


FIG. 6

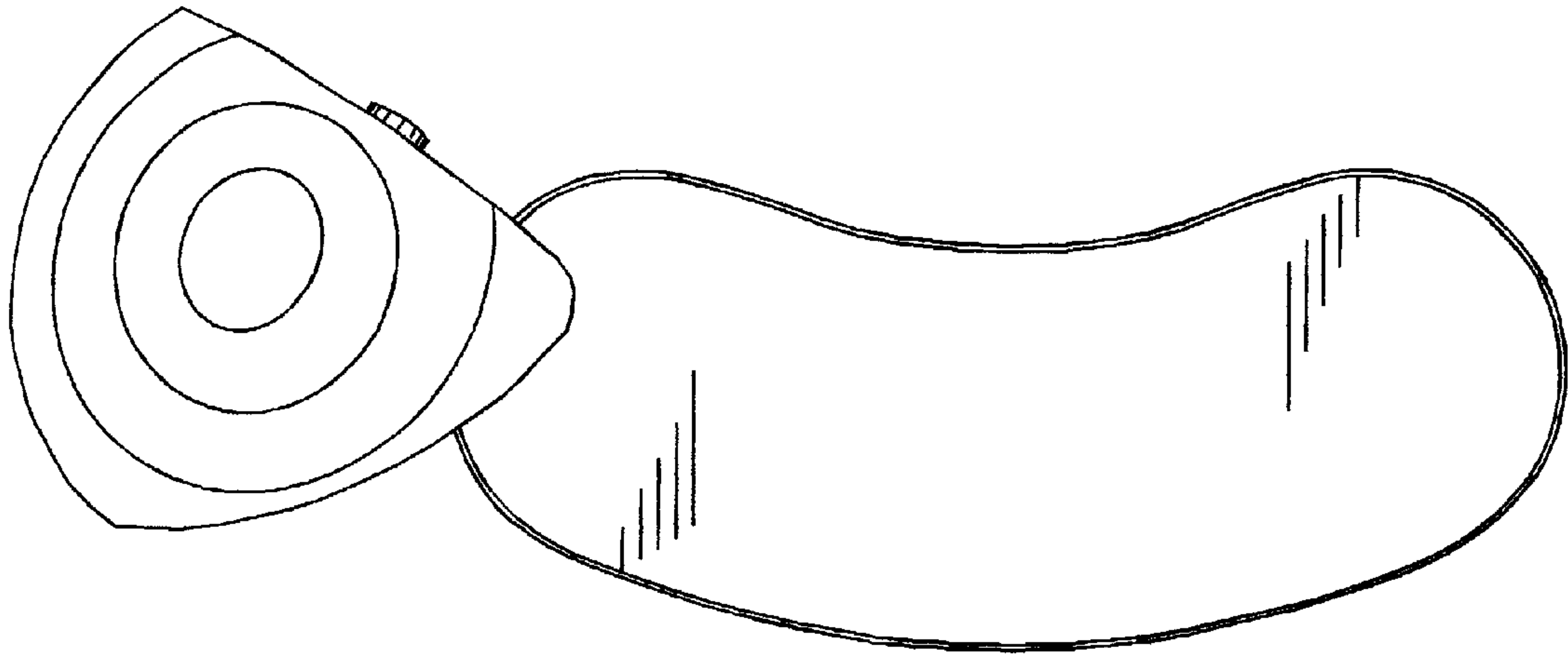


FIG. 7

