



US00D463697S

(12) **United States Design Patent**  
**Klein et al.**

(10) **Patent No.:** **US D463,697 S**

(45) **Date of Patent:** **\*\* Oct. 1, 2002**

(54) **HANGING STORAGE UNIT HAVING MULTIPLE BASKETS**  
  
(75) Inventors: **Richard B. Klein**, Overland Park, KS (US); **John W. Scott**, Lenexa, KS (US); **Chris Serslev**, Leawood, KS (US)

D322,378 S \* 12/1991 Colman ..... D6/566  
D324,787 S 3/1992 Evans  
D365,239 S \* 12/1995 Emery et al. .... D6/566  
D381,225 S 7/1997 Malik  
D382,434 S 8/1997 Klein et al.  
D429,938 S \* 8/2000 Allen ..... D6/566

(73) Assignee: **Lynk, Inc.**, Lenexa, KS (US)

\* cited by examiner

(\*\*) Term: **14 Years**

*Primary Examiner*—Brian N. Vinson

(21) Appl. No.: **29/146,214**

(74) *Attorney, Agent, or Firm*—Shook, Hardy & Bacon L.L.P.

(22) Filed: **Aug. 6, 2001**

(51) **LOC (7) Cl.** ..... **06-06**

(52) **U.S. Cl.** ..... **D6/514; D6/566**

(58) **Field of Search** ..... D6/512–514, 566, D6/567, 569, 570; 108/59, 91; 211/13.1, 41–3, 71.01, 74, 75, 86.01, 87.01, 90.01, 90.03, 126.1, 126.9, 134, 181.1

(57) **CLAIM**

The ornamental design for a hanging storage unit having multiple baskets, as shown and described.

**DESCRIPTION**

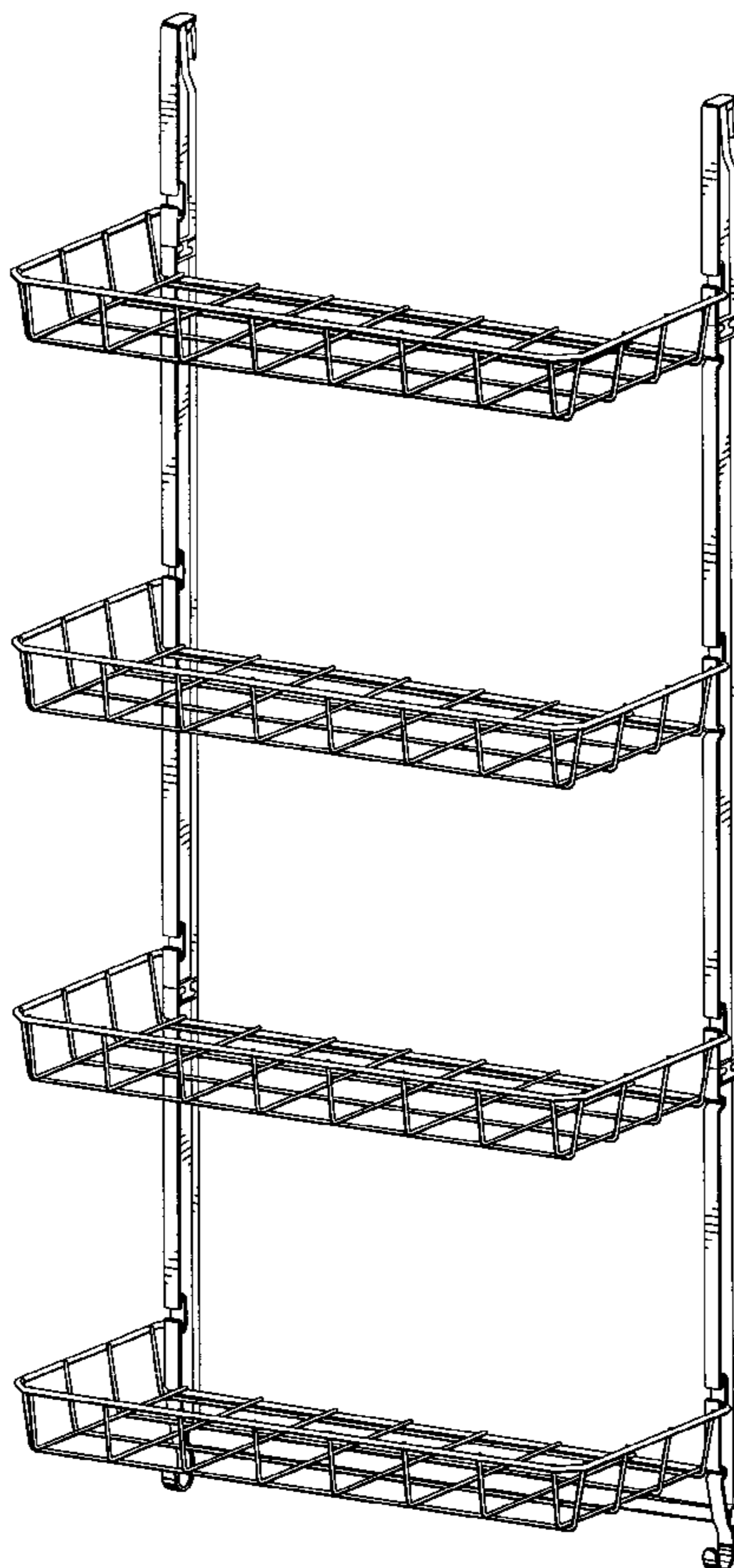
FIG. 1 is a perspective view of a hanging storage unit having multiple baskets showing our new design; FIG. 2 is a front elevational view thereof; FIG. 3 is a rear elevational view thereof; FIG. 4 is a side elevational view taken from the right side thereof, the other side appearing as a mirror image; FIG. 5 is a top plan view thereof; and, FIG. 6 is a bottom plan view thereof.

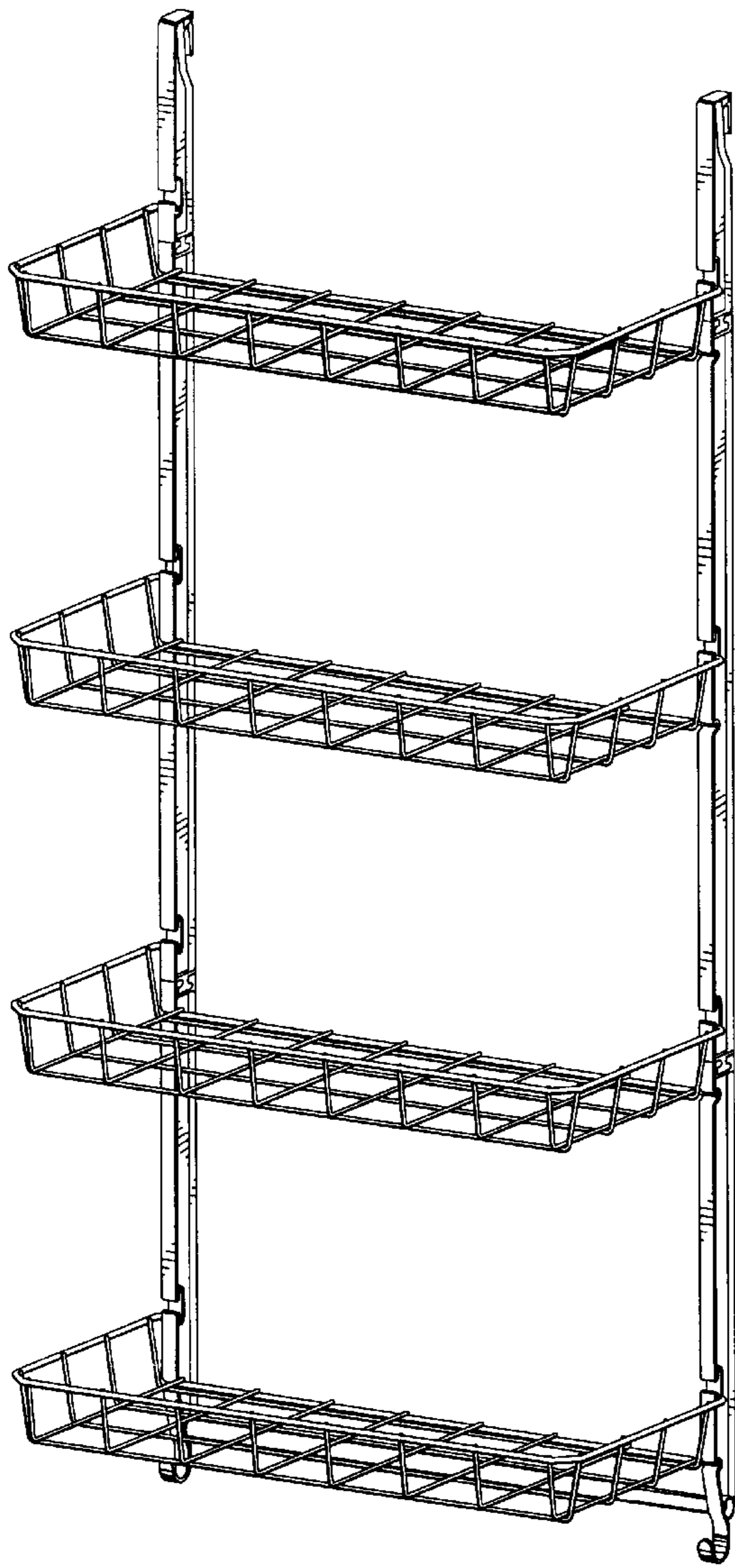
(56) **References Cited**

**U.S. PATENT DOCUMENTS**

D285,156 S \* 8/1986 Chap ..... D6/566  
4,754,885 A 7/1988 Rich  
4,981,221 A 1/1991 Davis  
D318,591 S \* 7/1991 Killiany ..... D6/566

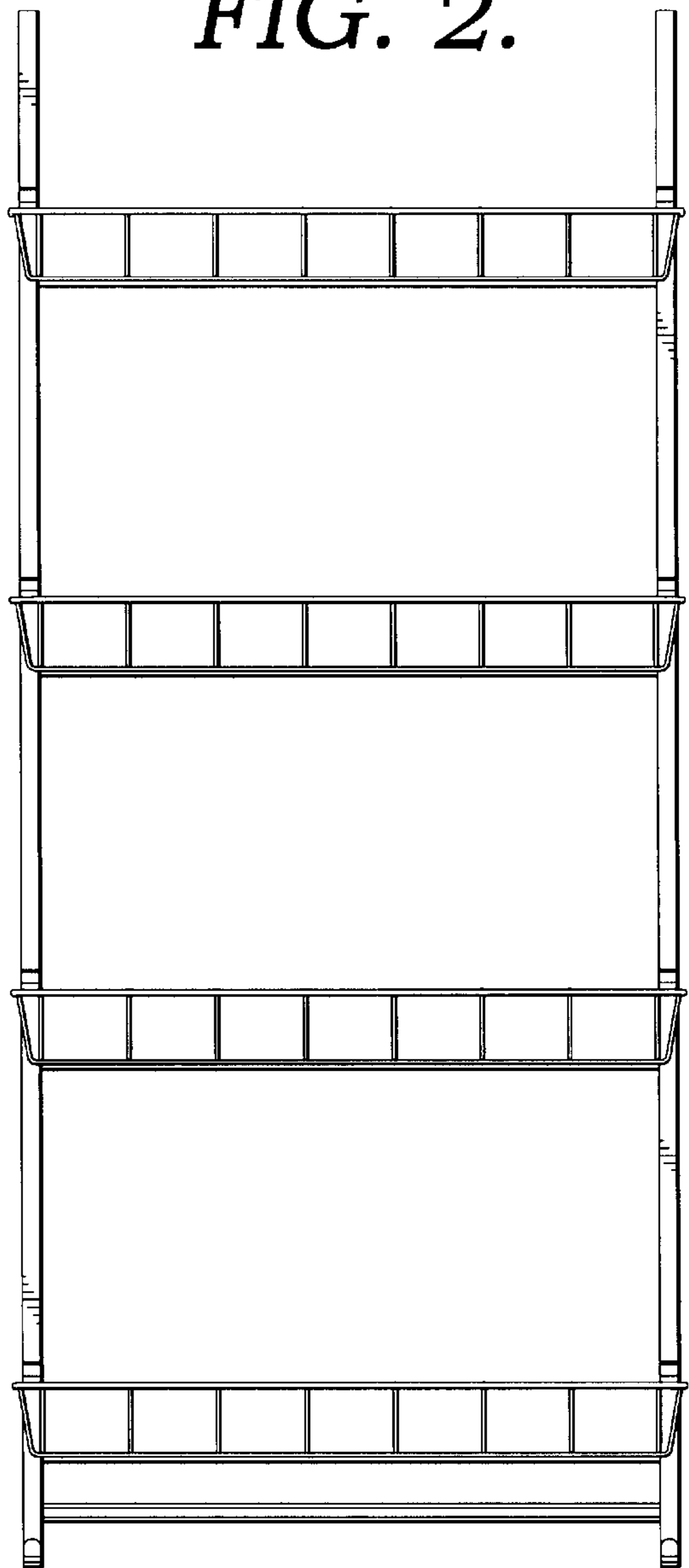
**1 Claim, 3 Drawing Sheets**

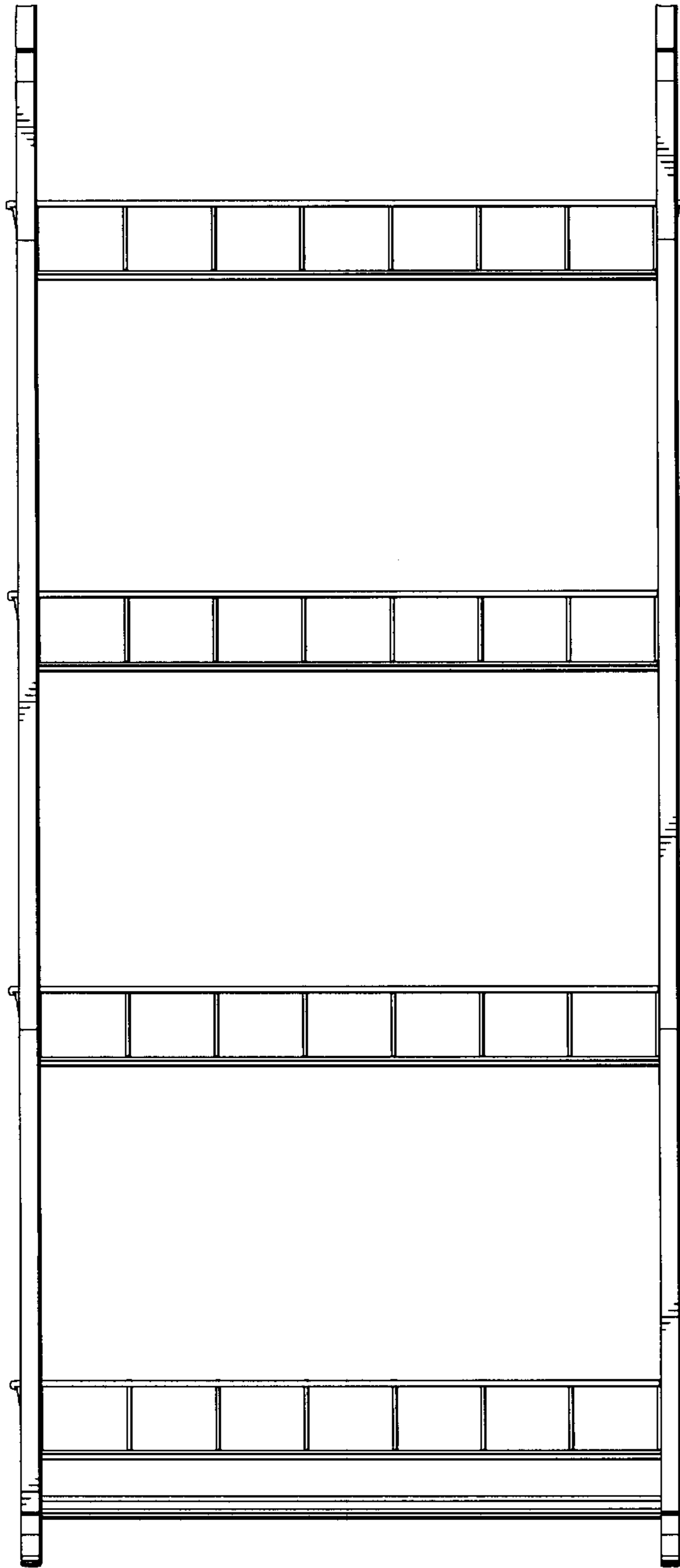




*FIG. 1.*

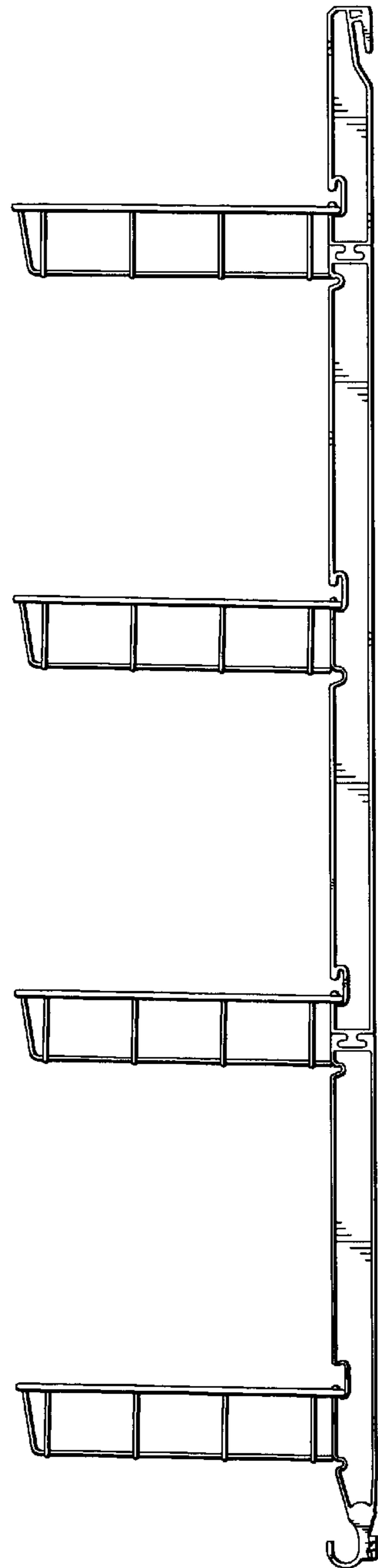
*FIG. 2.*

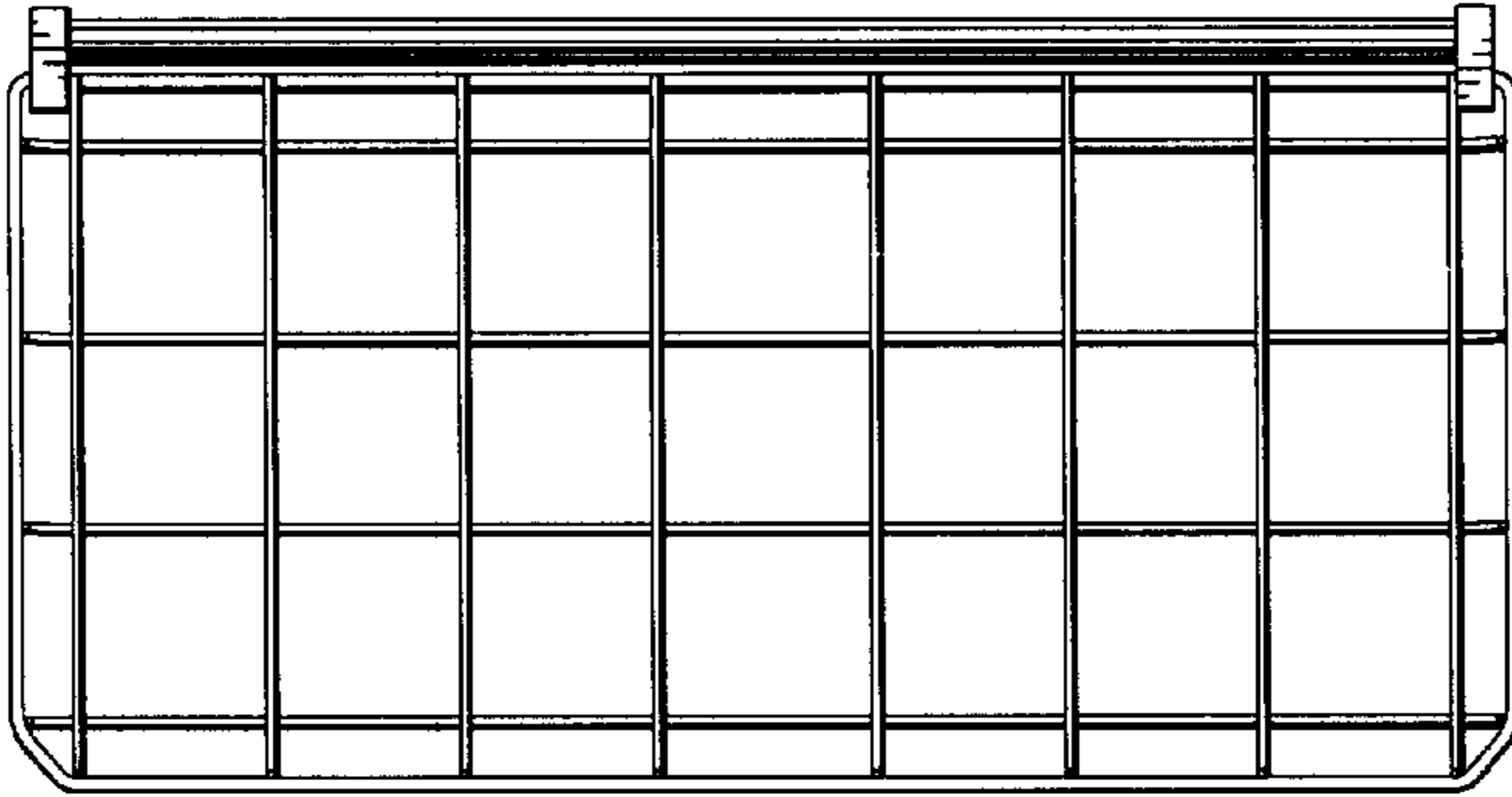




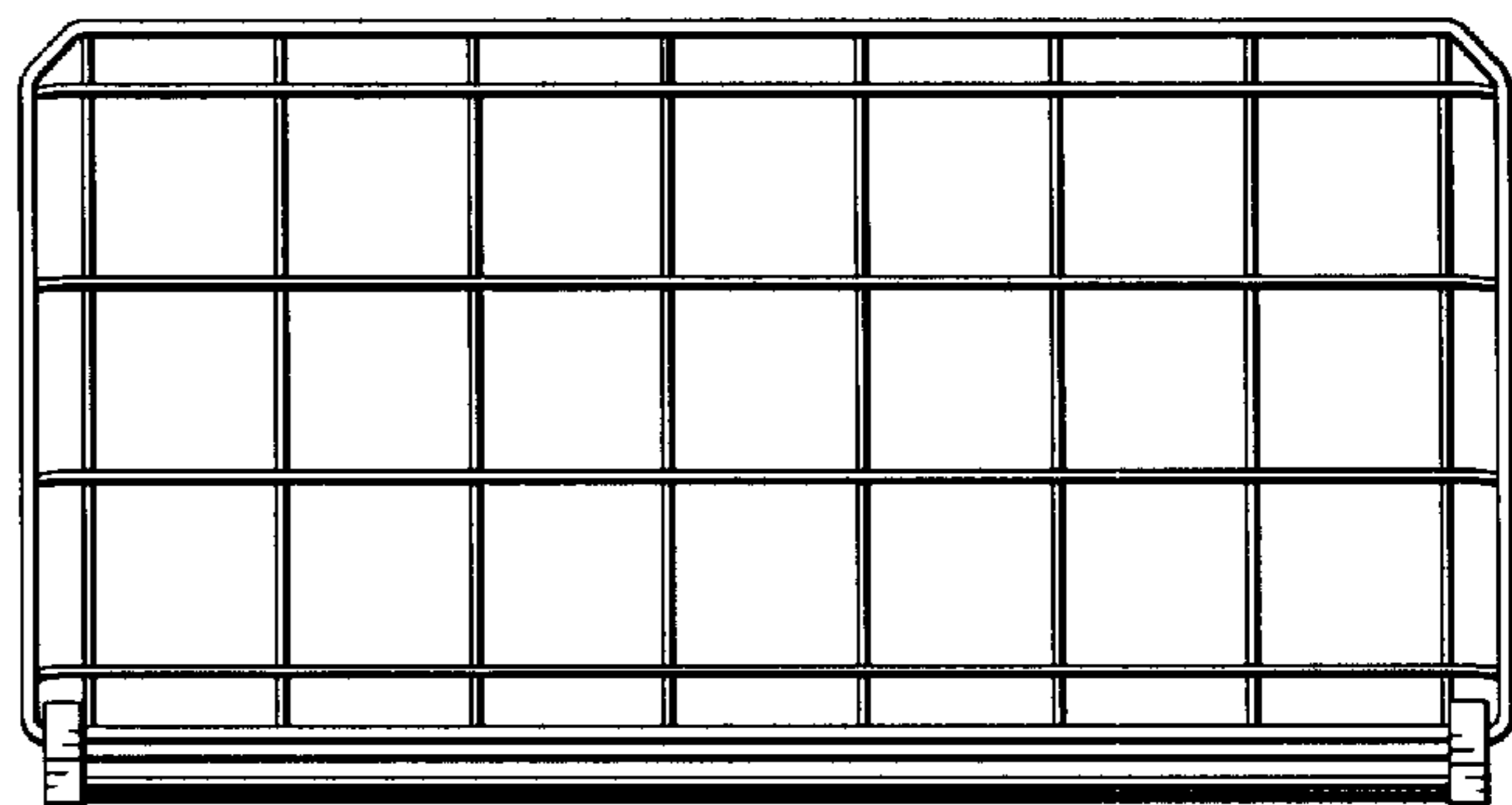
*FIG. 3.*

*FIG. 4.*





*FIG. 5.*



*FIG. 6.*