



US00D463695S

(12) **United States Design Patent**
Patik

(10) **Patent No.:** **US D463,695 S**

(45) **Date of Patent:** **** Oct. 1, 2002**

(54) **TOP-CROWN FOR DISPLAY CASE**

(75) **Inventor:** **Thomas G. Patik**, San Dimas, CA (US)

(73) **Assignee:** **ACI-The Display People**, Covina, CA (US)

(**) **Term:** **14 Years**

(21) **Appl. No.:** **29/154,412**

(22) **Filed:** **Jan. 22, 2002**

Related U.S. Application Data

(62) Division of application No. 29/108,508, filed on Jul. 28, 1999, now Pat. No. Des. 454,264.

(51) **LOC (7) Cl.** **06-04**

(52) **U.S. Cl.** **D6/511**

(58) **Field of Search** D6/491, 509, 511,
D6/470; 312/114, 137, 352

(56) **References Cited**

U.S. PATENT DOCUMENTS

D172,449 S	*	6/1954	Tedaldi	D6/509
D283,382 S	*	4/1986	Goldsmith	D6/511
4,845,601 A		7/1989	Podbury et al.		
D318,587 S	*	7/1991	Keller	D6/491
D334,859 S	*	4/1993	Homann	D6/509
D362,573 S	*	9/1995	Finlayson et al.	D6/511
D433,256 S	*	11/2000	Zaidman	D6/491

OTHER PUBLICATIONS

Brochure entitled "The Parallax".
Brochure entitled "The Newton".

* cited by examiner

Primary Examiner—Dominic Simone

(74) *Attorney, Agent, or Firm*—Knobbe, Martens, Olson & Bear, LLP

(57) **CLAIM**

The ornamental design for a top-crown for display case, as shown and described.

DESCRIPTION

FIG. 1 is a perspective view of a top-crown for display case showing my new design, the broken line showing of environment is for illustrative purposes only and forms no part of the claimed design;

FIG. 2 is a perspective view thereof;

FIG. 3 is a side elevational view thereof;

FIG. 4 is a top plan view thereof;

FIG. 5 is a bottom plan view thereof;

FIG. 6 is a perspective view of a second embodiment of FIG. 1;

FIG. 7 is a side elevational view of FIG. 6;

FIG. 8 is a front elevational view of FIG. 6;

FIG. 9 is a top plan view of FIG. 6;

FIG. 10 is a bottom plan view of FIG. 6;

FIG. 11 is a perspective view of a third embodiment of FIG. 1;

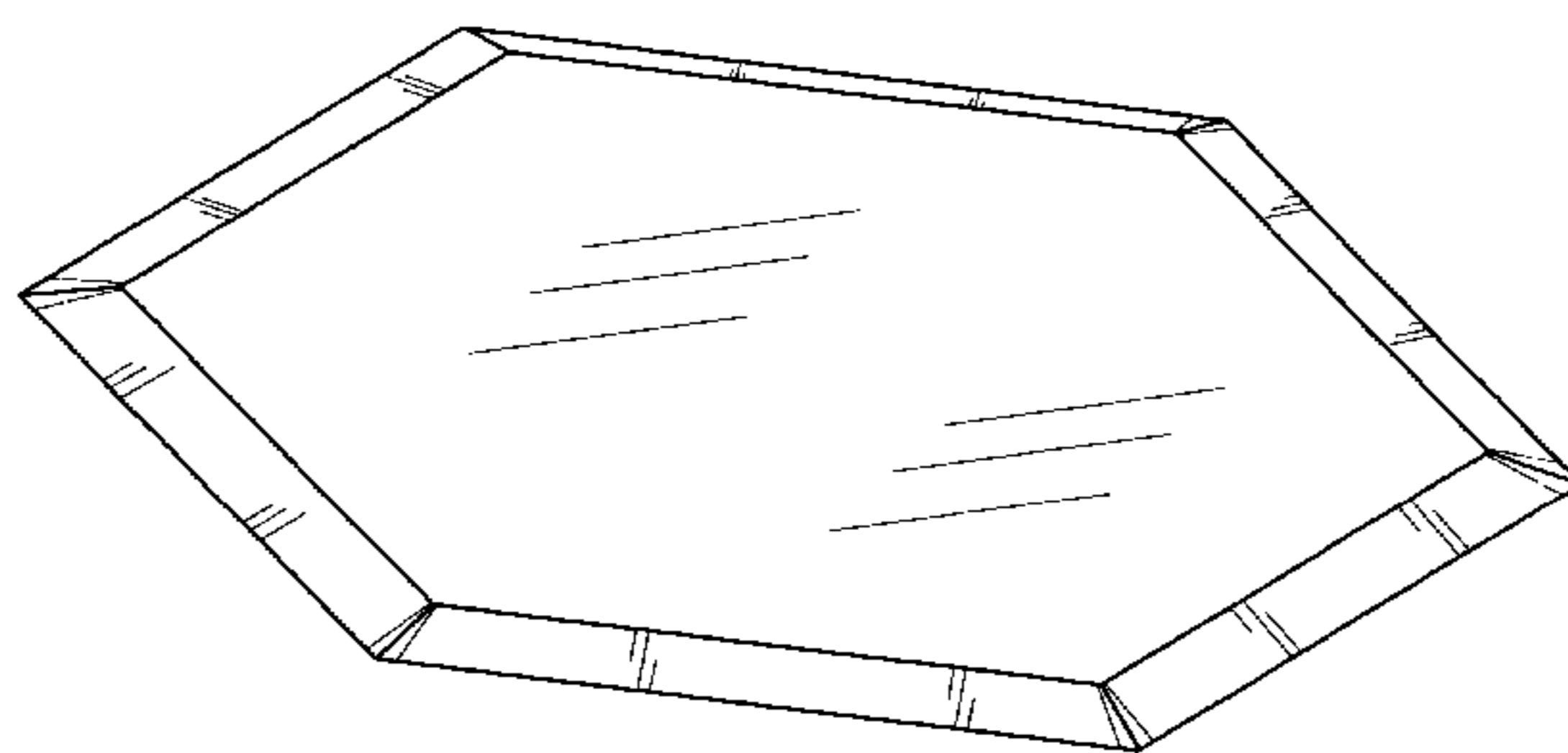
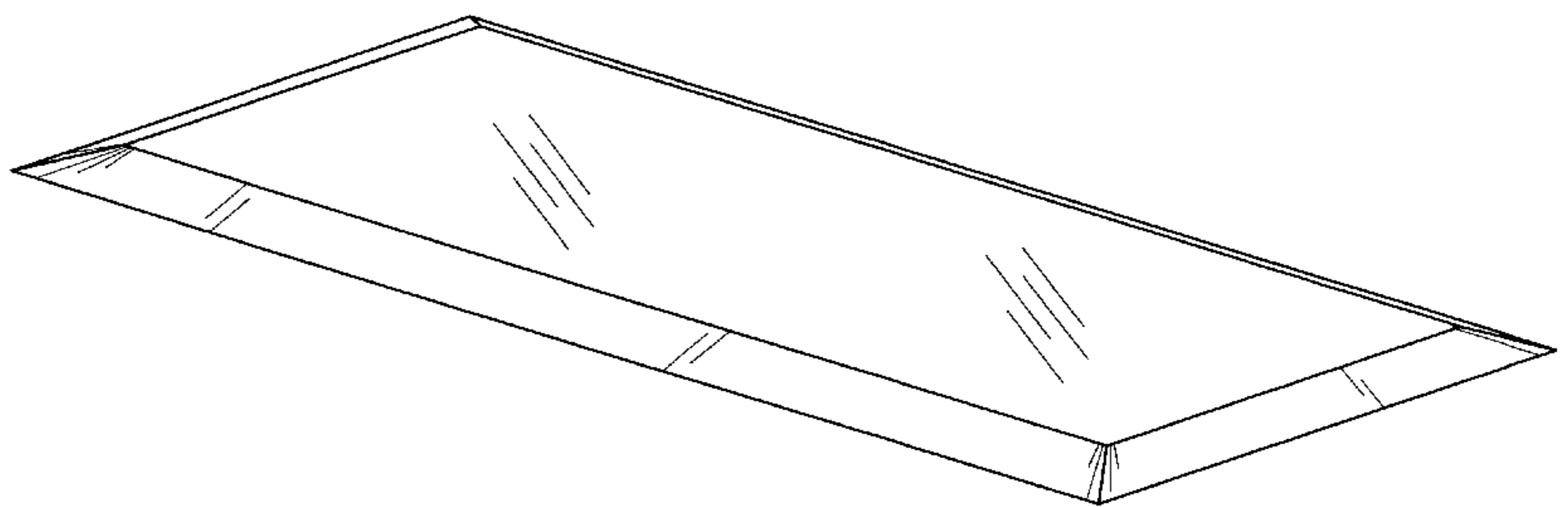
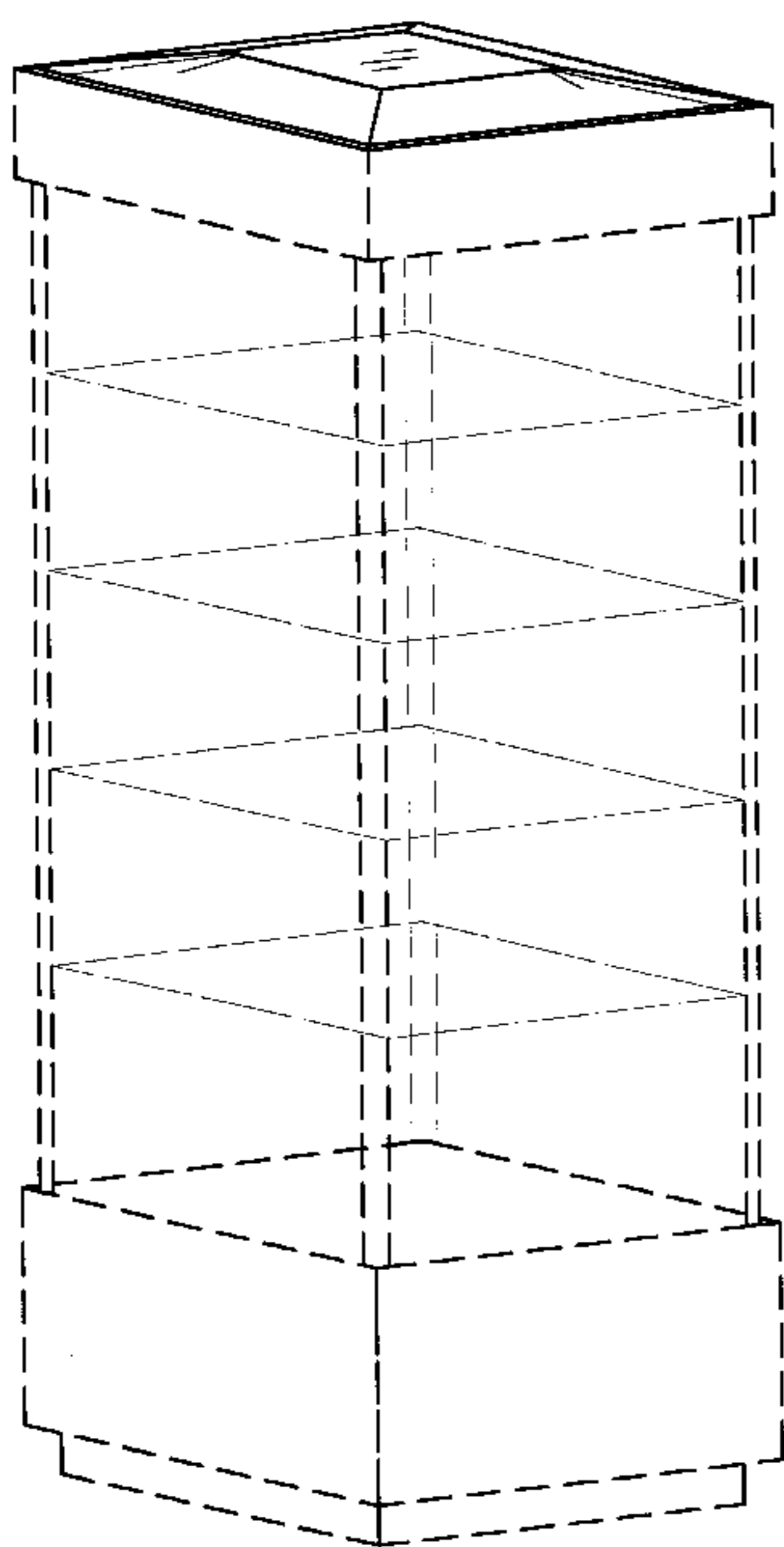
FIG. 12 is a side elevational view of FIG. 11;

FIG. 13 is a top plan view of FIG. 11;

FIG. 14 is a bottom plan view of FIG. 11; and,

FIG. 15 is a perspective view of FIG. 11, the broken line showing of environment is for illustrative purposes only and forms no part of the claimed design.

1 Claim, 15 Drawing Sheets



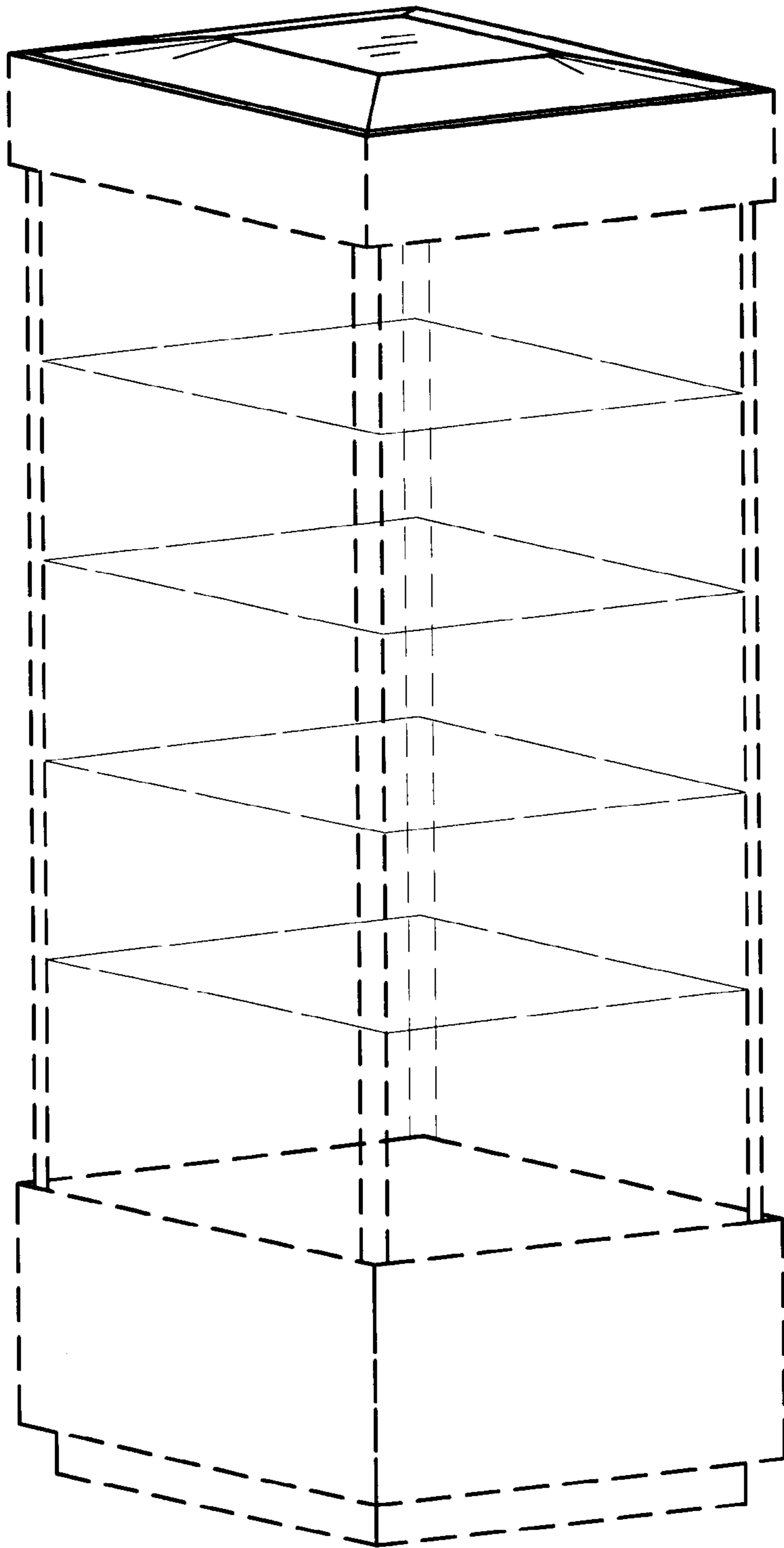


FIG. 1

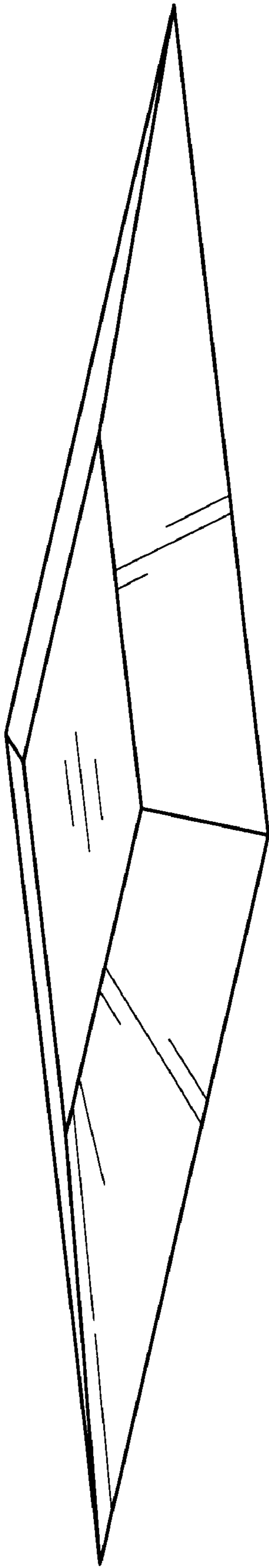


FIG. 2

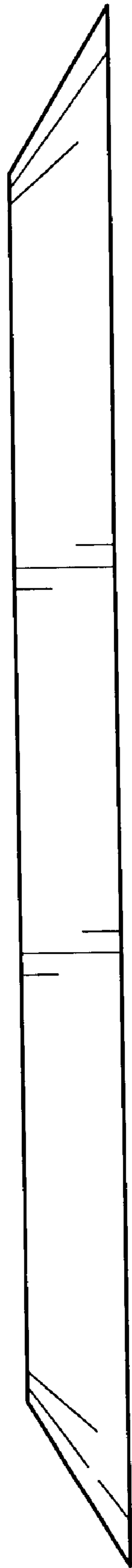


FIG. 3

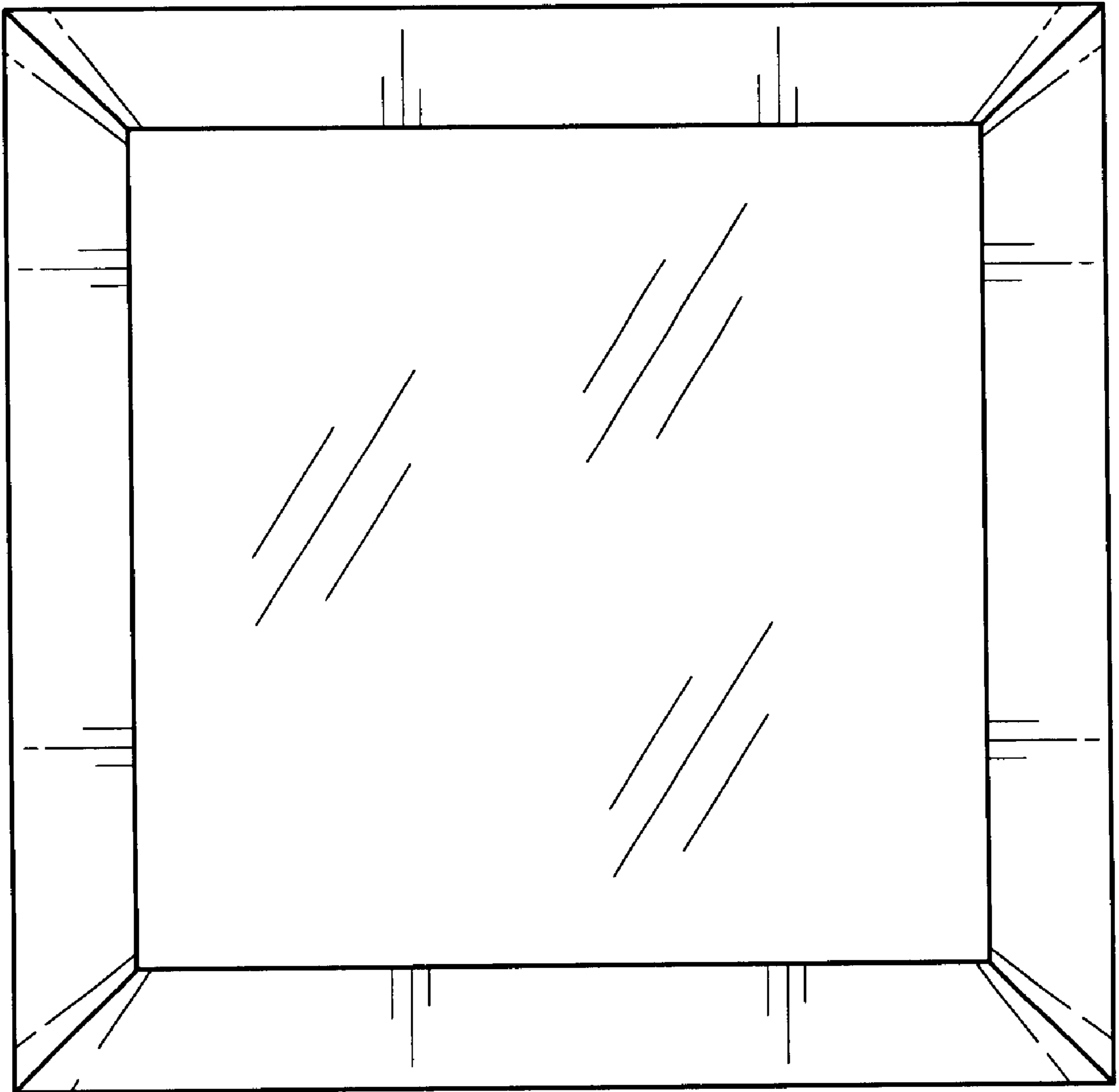


FIG. 4

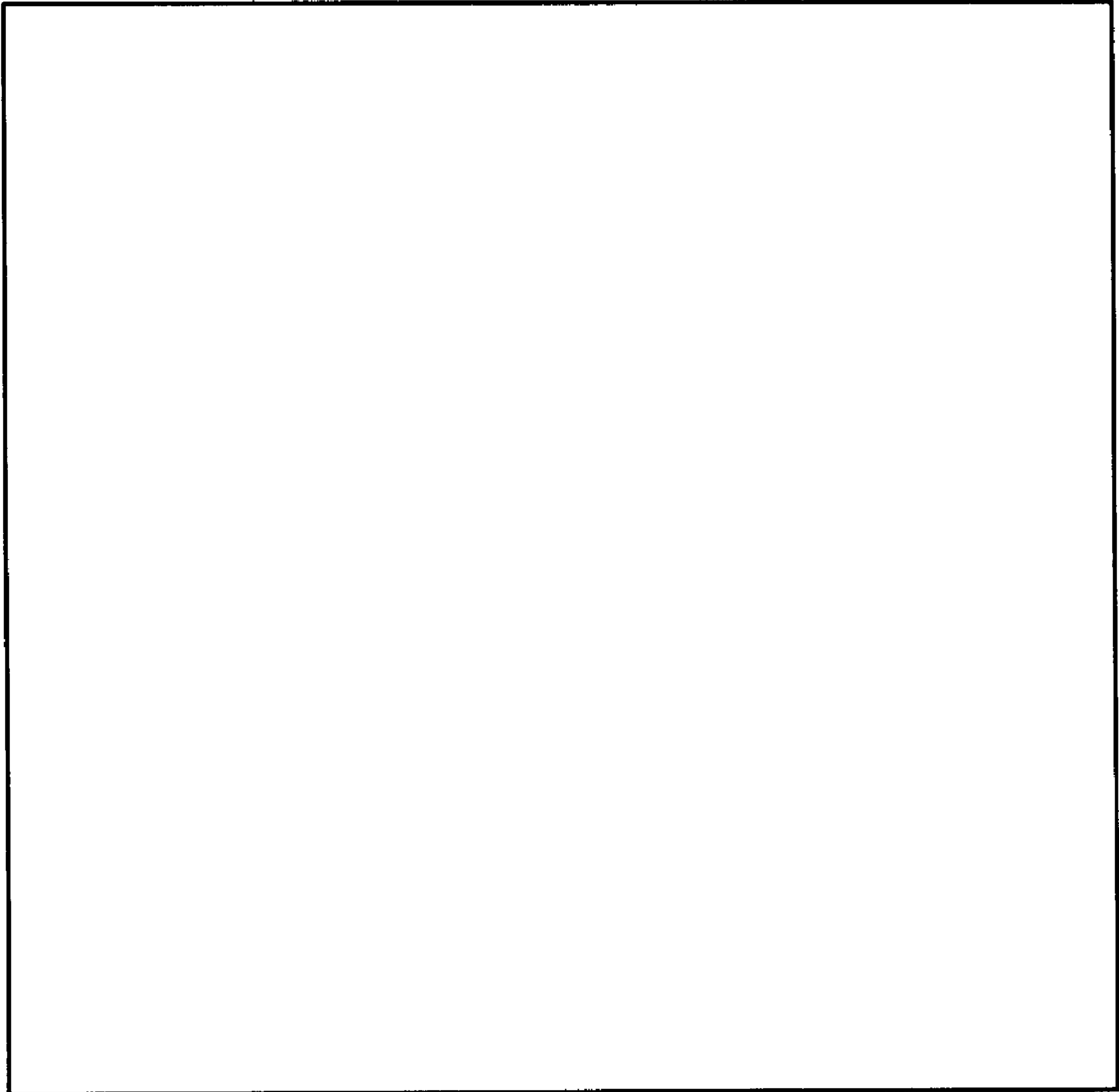


FIG. 5

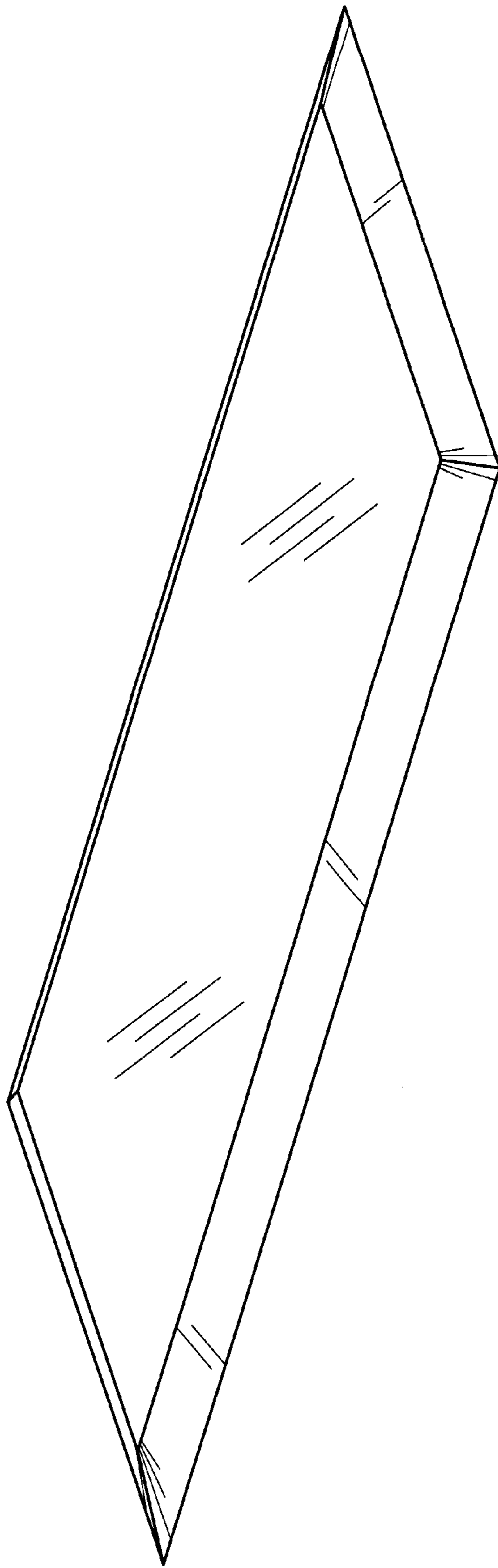


FIG. 6

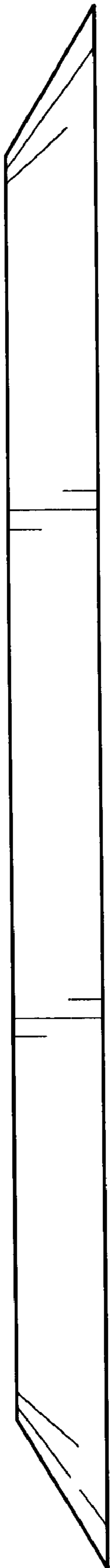


FIG. 7

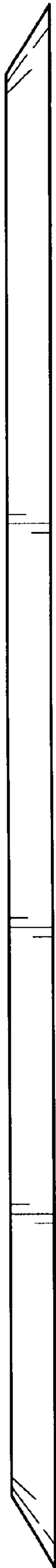


FIG. 8

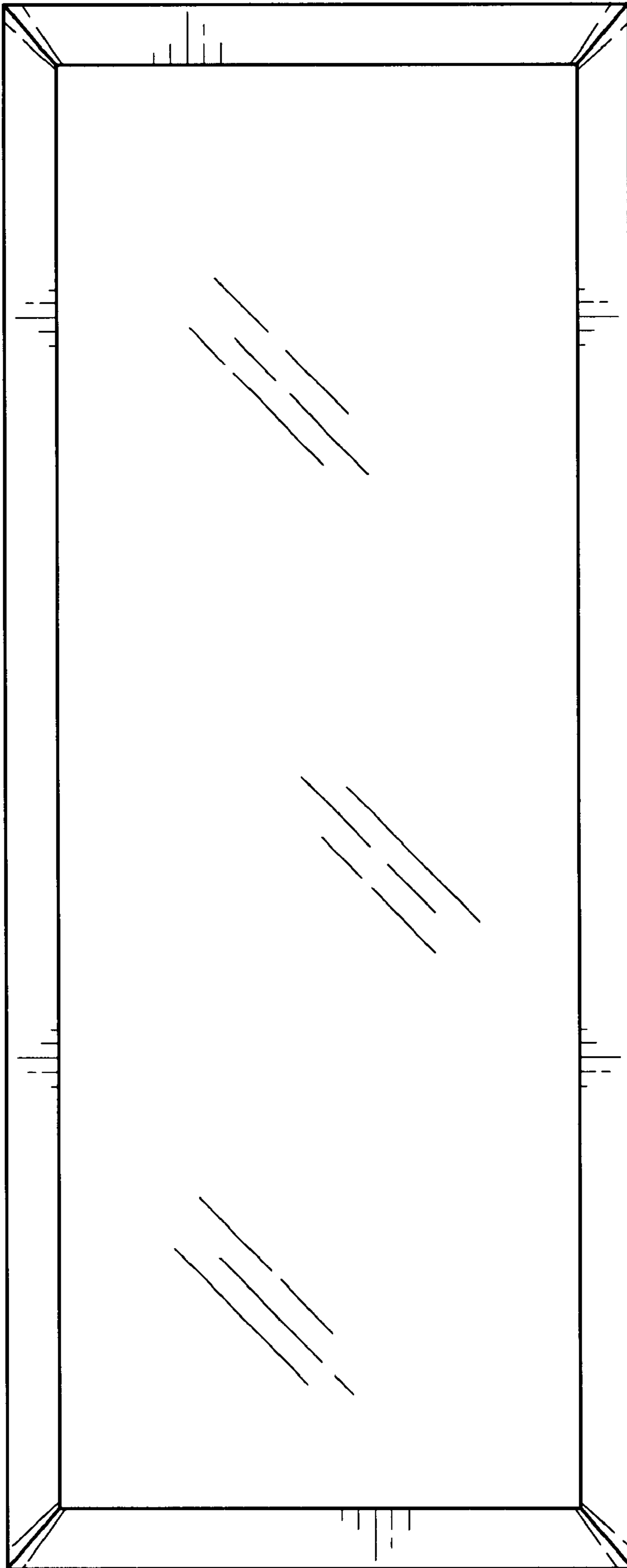


FIG. 9

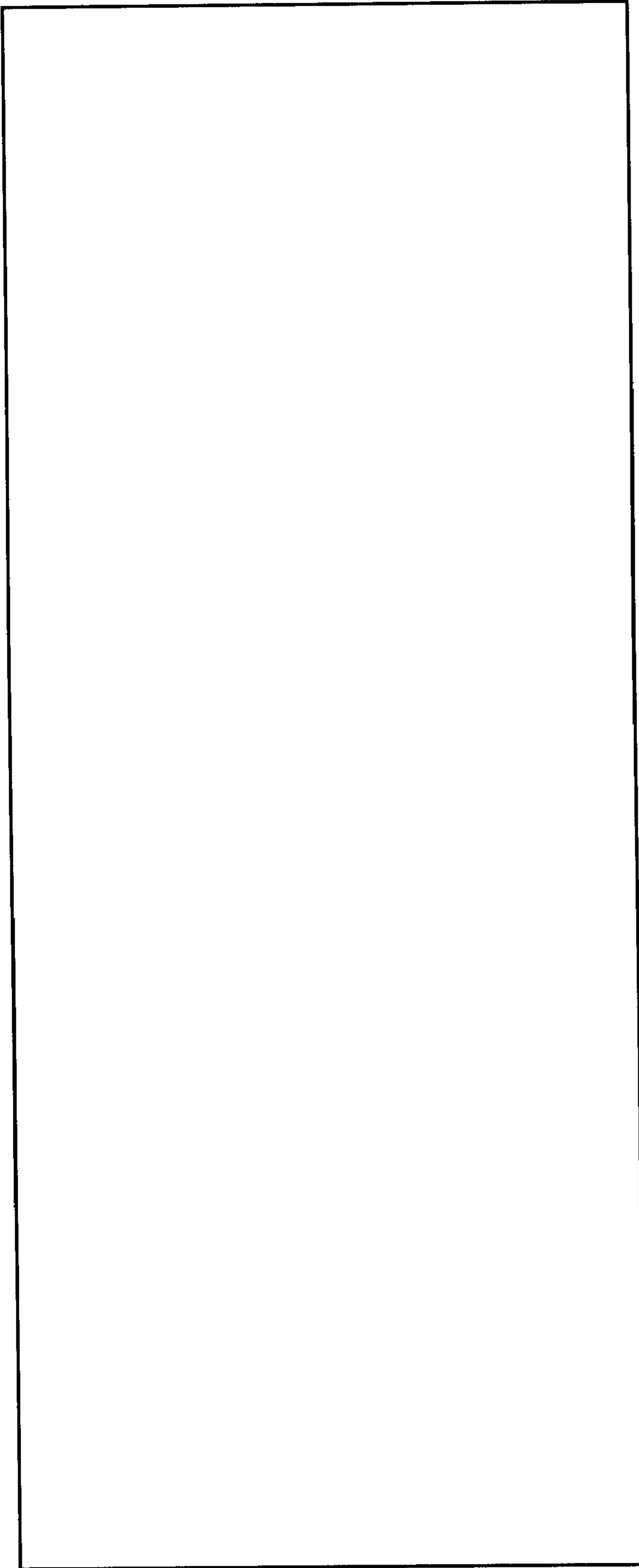


FIG. 10

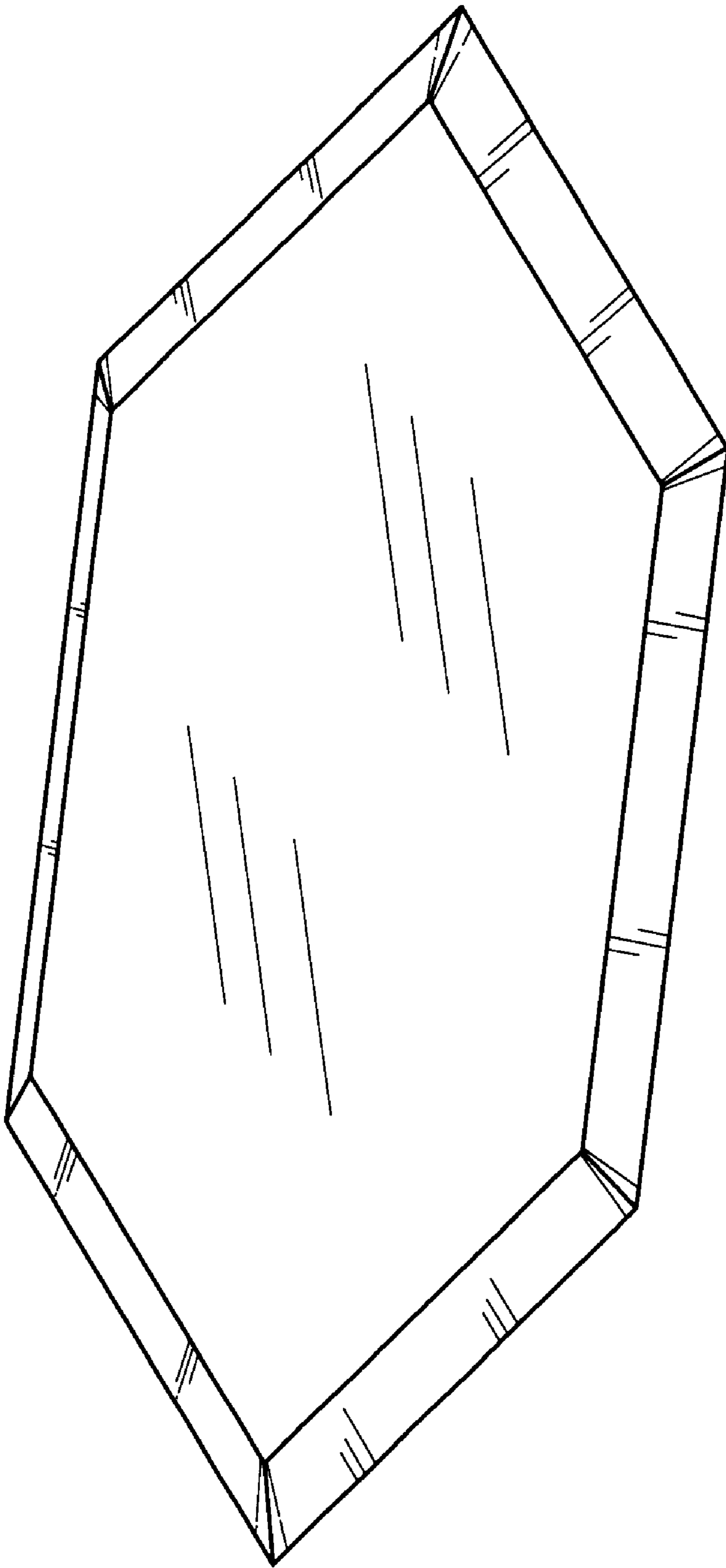


FIG. 11

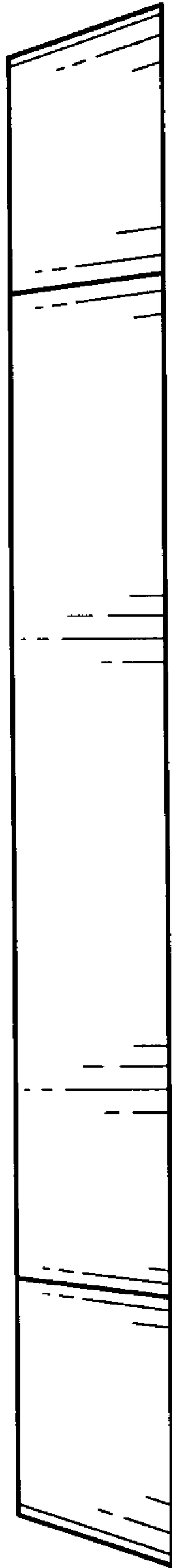


FIG. 12

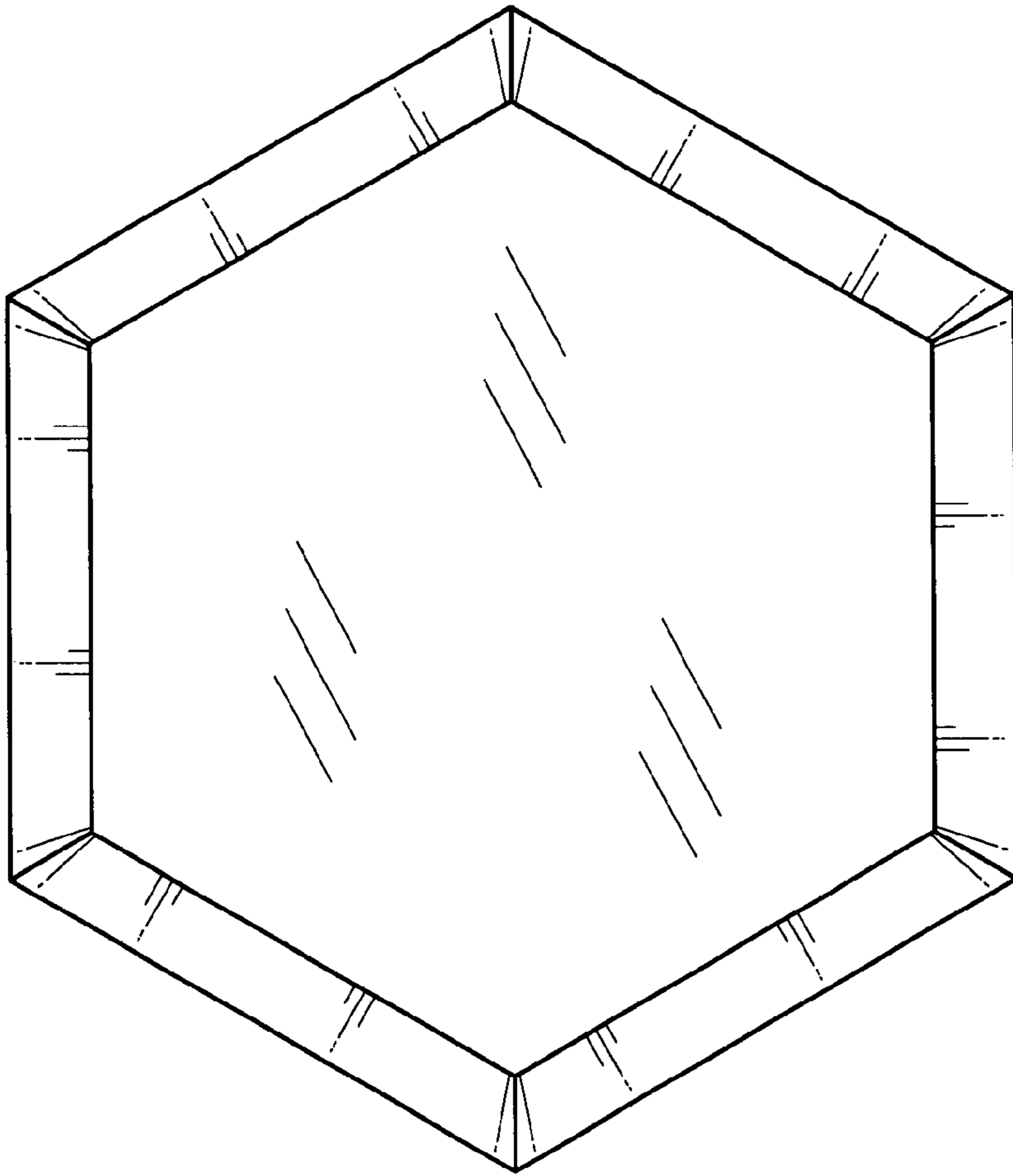


FIG. 13

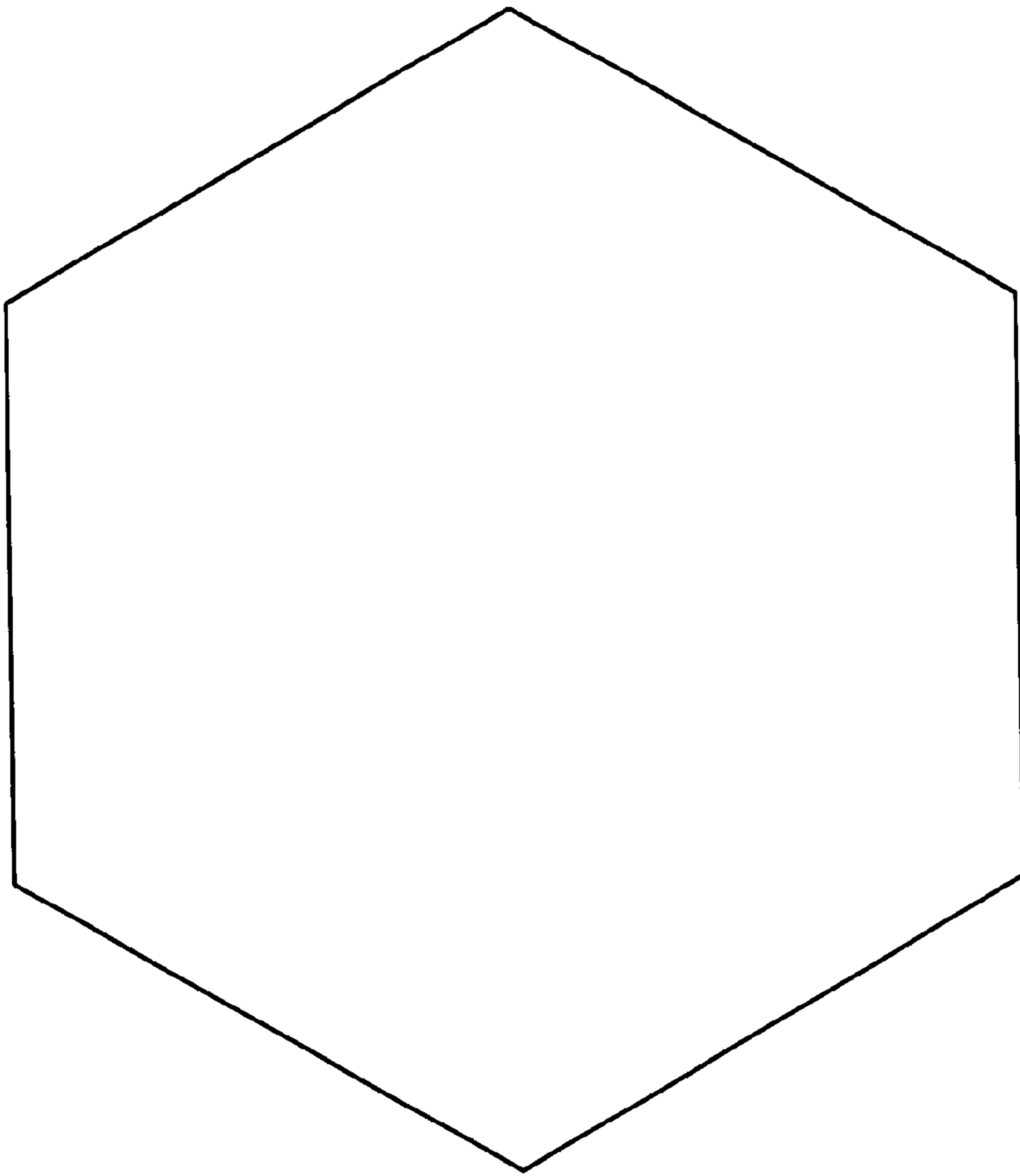


FIG. 14

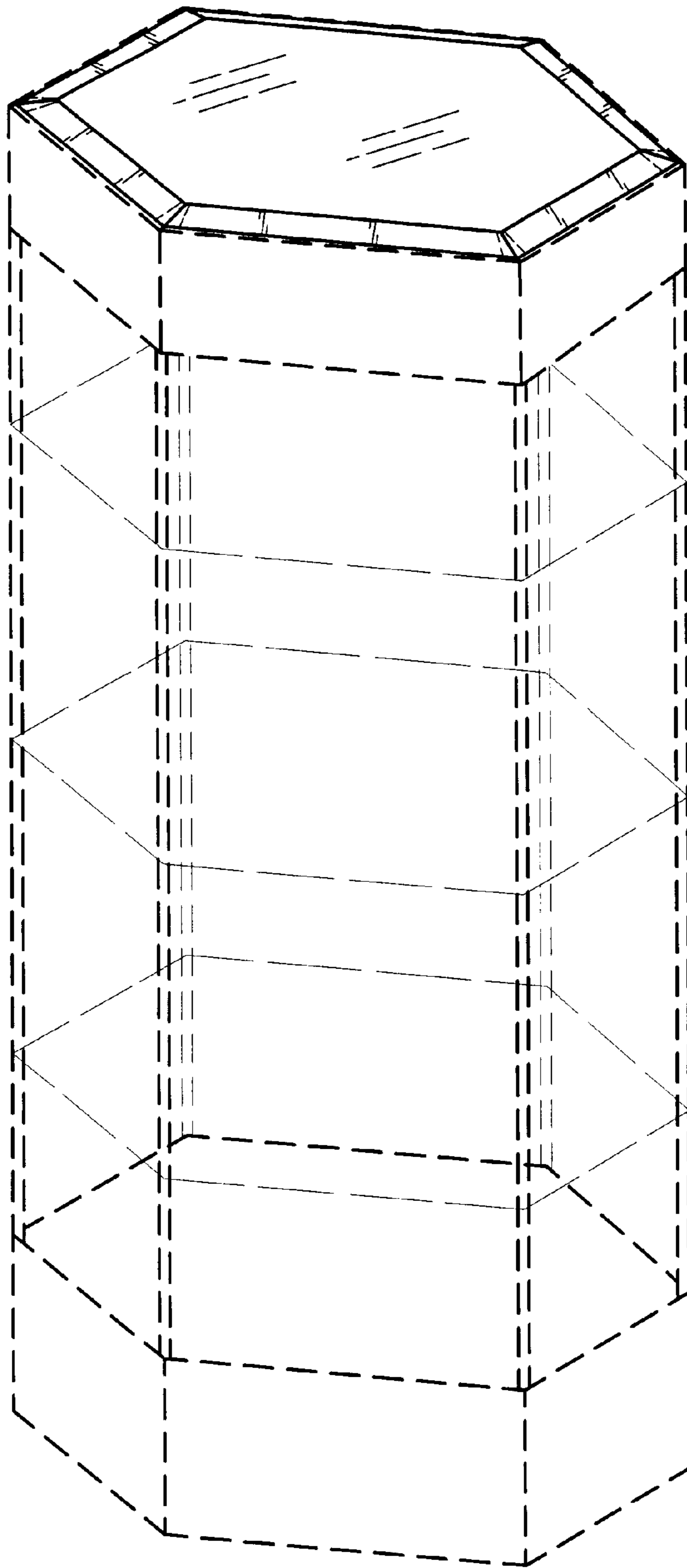


FIG. 15