



US00D463694S

(12) **United States Design Patent**
Chu

(10) **Patent No.:** **US D463,694 S**

(45) **Date of Patent:** **** Oct. 1, 2002**

(54) **CHAIR**

FOREIGN PATENT DOCUMENTS

(75) Inventor: **Zoocy Chu**, Grand Rapids, MI (US)
(73) Assignee: **Global Total Office**, Downsview (CA)
(**) Term: **14 Years**

CA	55786	2/1986
CA	59260	9/1987
CA	65222	1/1990
CA	71959	12/1992
CA	82049	10/1997

* cited by examiner

(21) Appl. No.: **29/153,246**
(22) Filed: **Nov. 7, 2001**

Primary Examiner—Gary D. Watson
(74) *Attorney, Agent, or Firm*—Michael Best & Friedrich LLC

(51) **LOC (7) Cl.** **06-06**
(52) **U.S. Cl.** **D6/502; D6/366**
(58) **Field of Search** D6/334, 364, 365,
D6/366, 367, 500, 501, 502; 297/411.2,
354.1, 354.11

(57) **CLAIM**

The ornamental Design for a chair, as shown and described.

DESCRIPTION

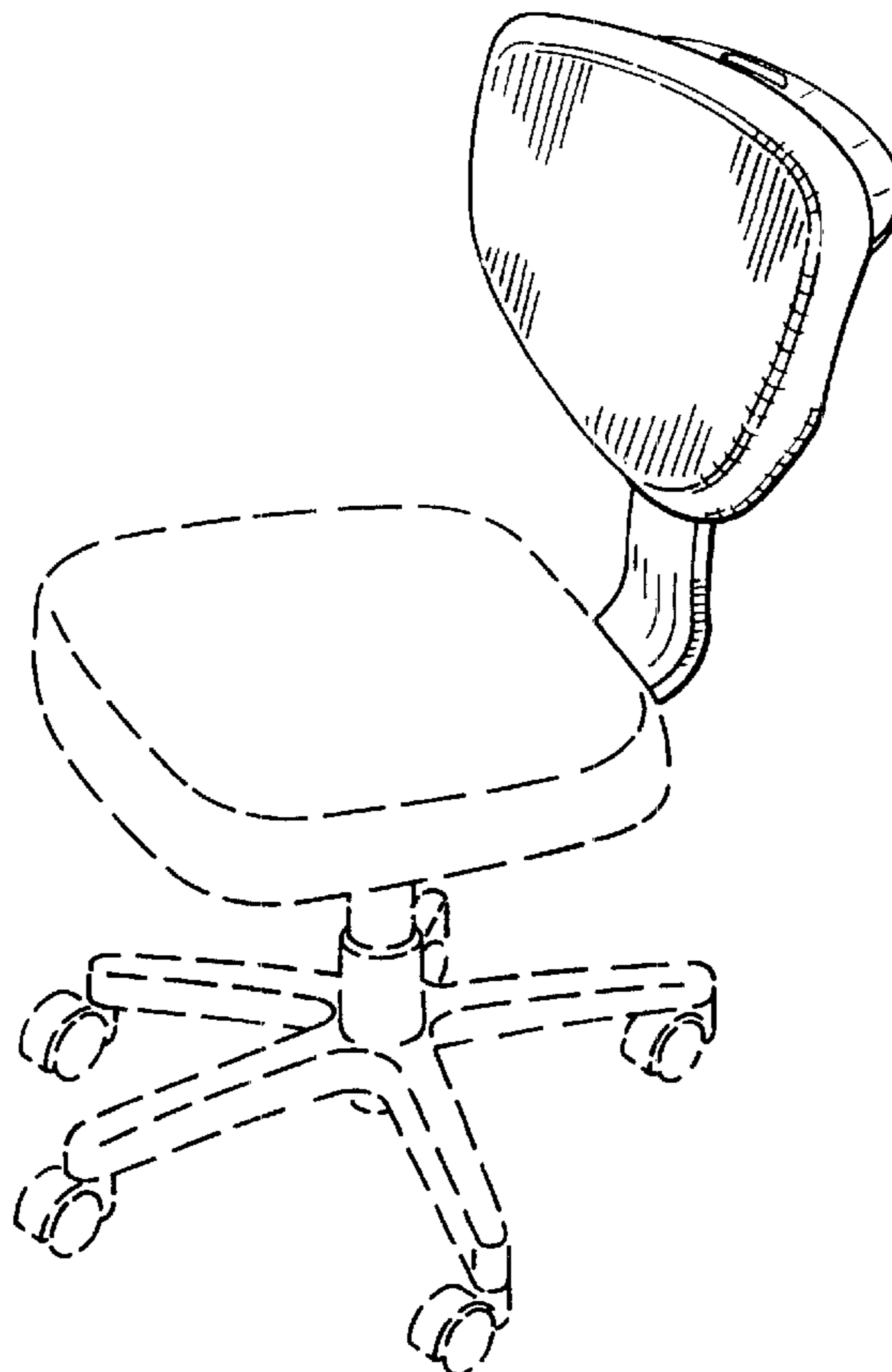
(56) **References Cited**

U.S. PATENT DOCUMENTS

D227,953 S	*	7/1973	Prizlow	D6/366
D230,443 S	*	2/1974	Klose	D6/366
D256,739 S	*	9/1980	Acton	D6/366
D272,205 S	*	1/1984	De Boer	D6/366
D378,714 S		4/1997	Beaulieu		
D397,557 S		9/1998	Feldberg		
D405,617 S		2/1999	Kaczmarek et al.		
D411,692 S	*	6/1999	Ogg	D6/366
D417,570 S	*	12/1999	Baumann et al.	D6/502
D420,224 S	*	2/2000	Olson	D6/366
D420,540 S	*	2/2000	Baumann et al.	D6/500

FIG. 1 is a perspective view from the front and to one side of the chair.
FIG. 2 is a perspective view from the rear and the other side of the chair of FIG. 1.
FIG. 3 is a front elevational view of the chair of FIG. 1.
FIG. 4 is a side elevational view of the chair of FIG. 1. The other side of the chair is a mirror image of this view.
FIG. 5 is a rear elevational view of the chair of FIG. 1; and, FIG. 6 is a top plan view of the chair of FIG. 1.
The base of the chair and the seat of the chair which are shown in broken lines do not form part of the design.

1 Claim, 3 Drawing Sheets



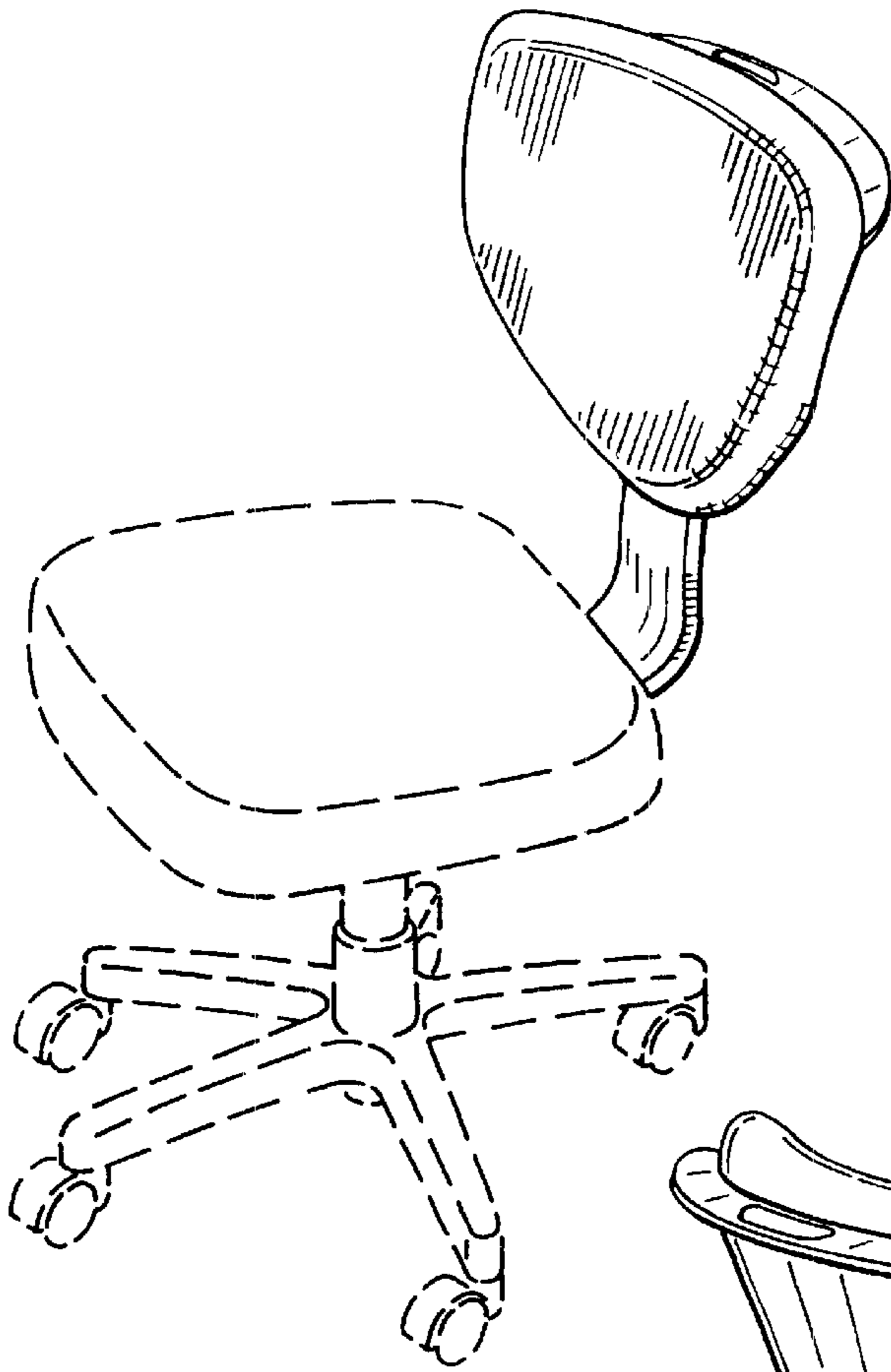


FIG. 1.

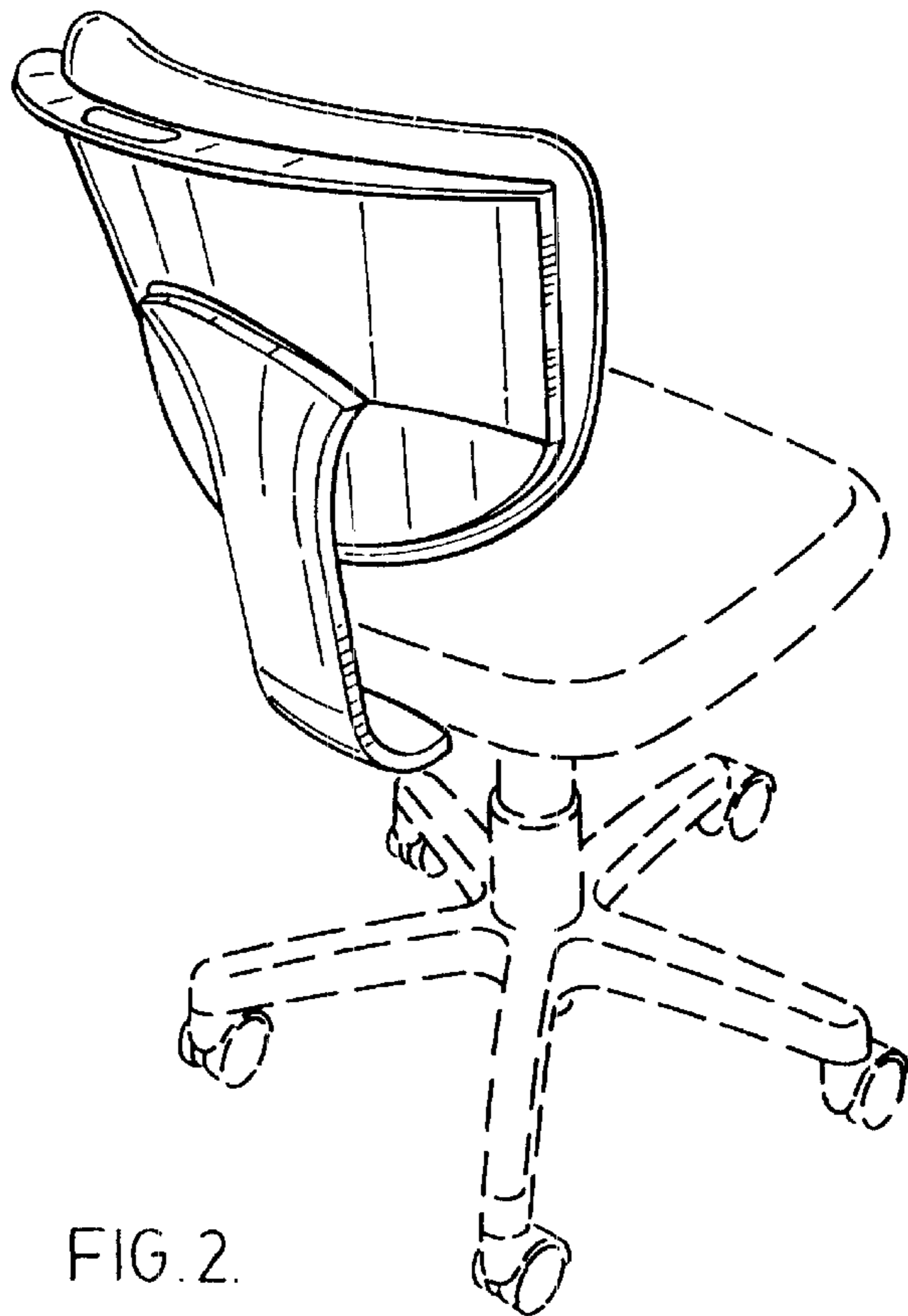


FIG. 2.

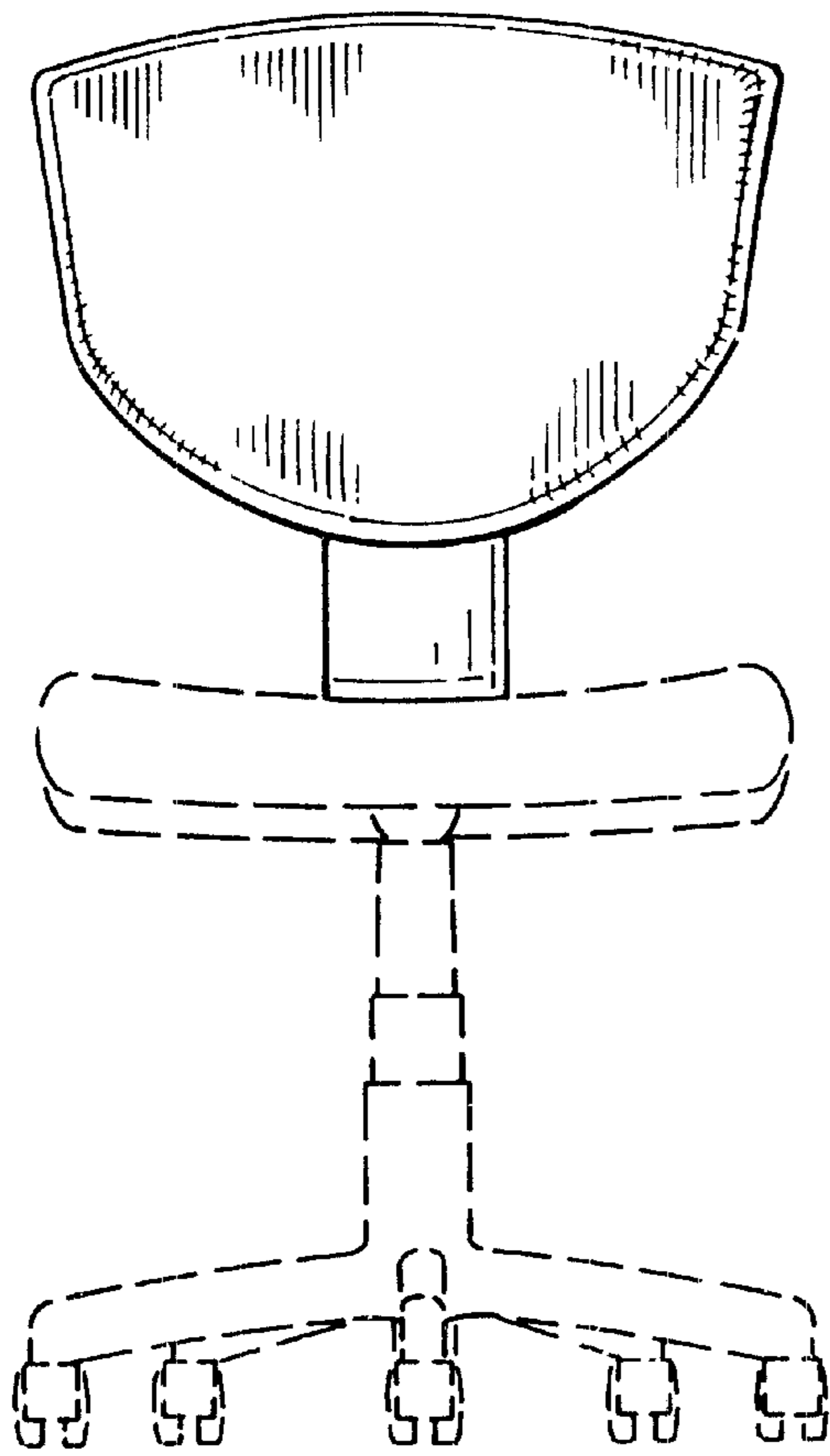


FIG. 3.

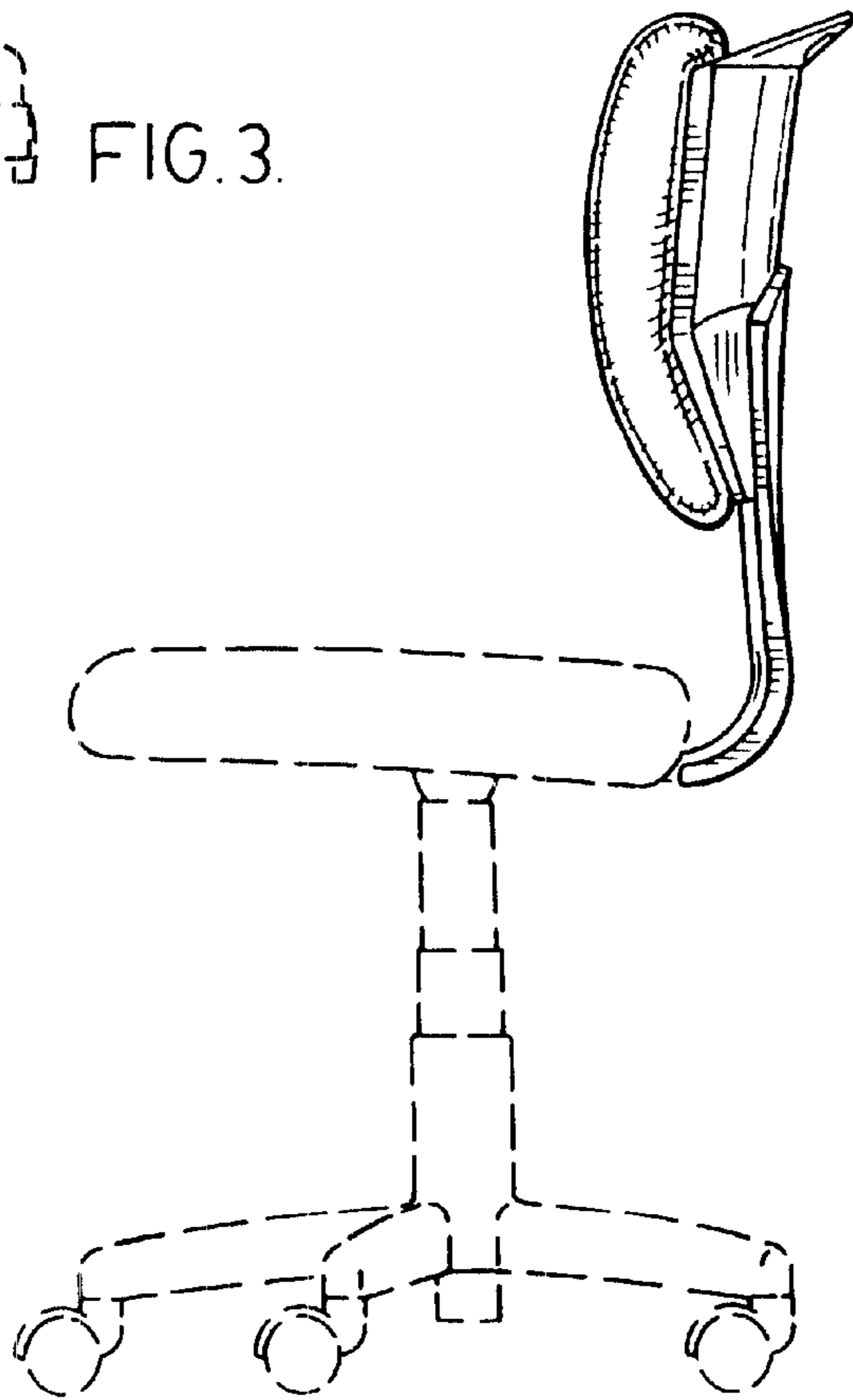


FIG. 4.

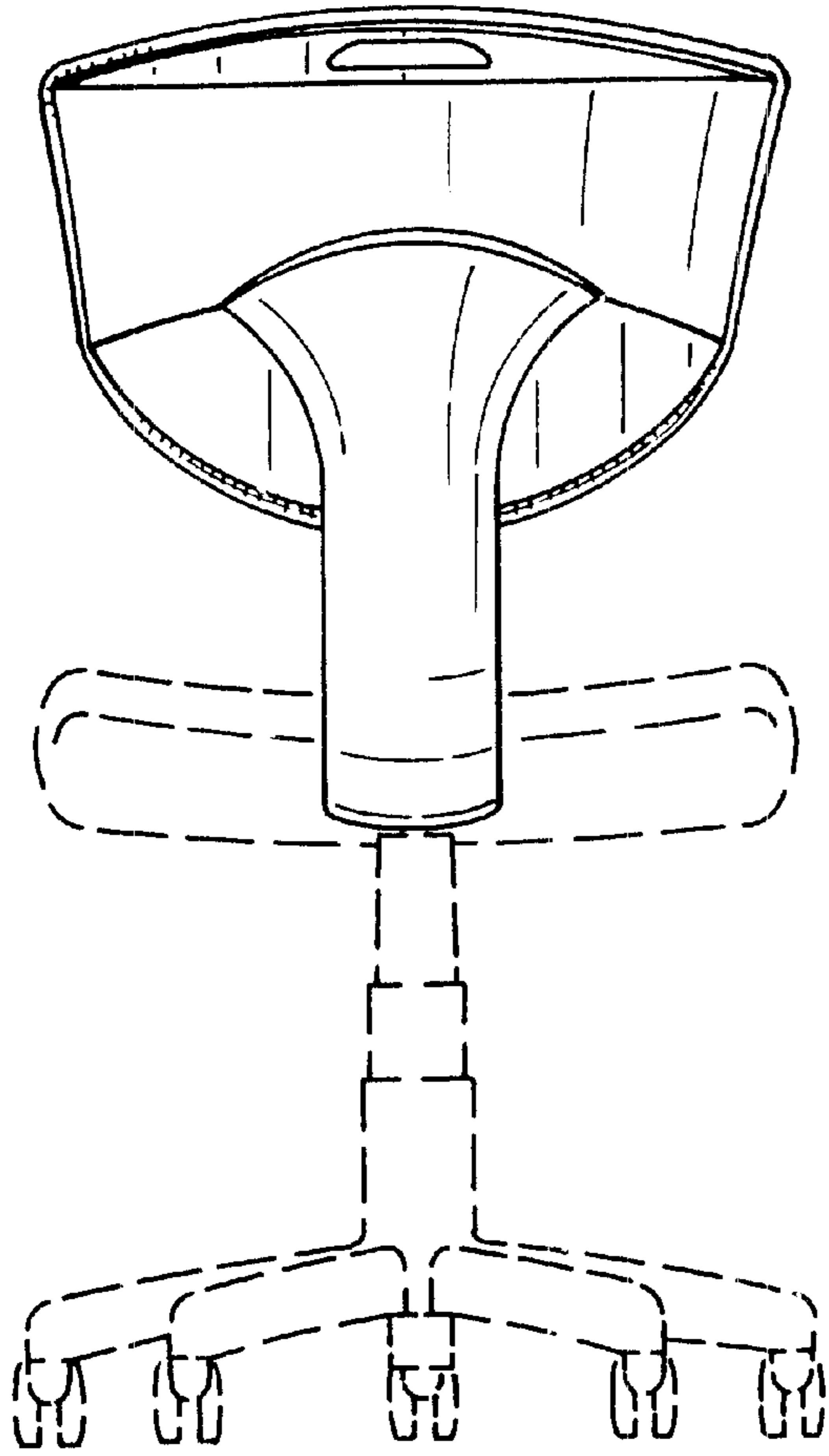


FIG. 5.

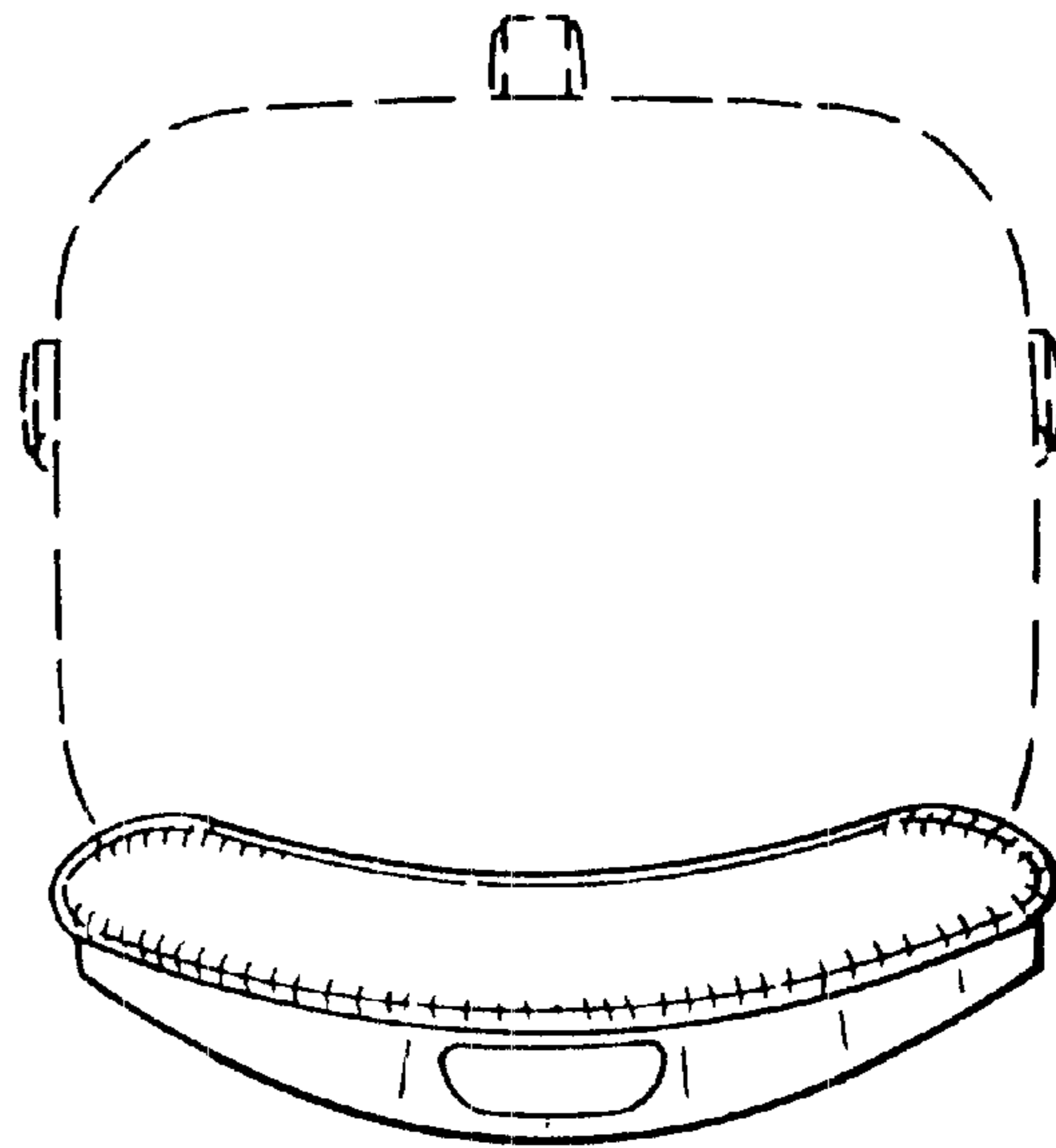


FIG. 6.