



US00D463685S

(12) **United States Design Patent**
Goodworth

(10) **Patent No.:** **US D463,685 S**

(45) **Date of Patent:** **** Oct. 1, 2002**

(54) **TABLE**

D303,911 S * 10/1989 Saari D6/487 X
D369,928 S * 5/1996 Larkin D6/498
D441,991 S * 5/2001 Fan D6/477

(75) Inventor: **William H. Goodworth**, Davenport, IA
(US)

* cited by examiner

(73) Assignee: **HON Technology Inc.**, Muscatine, IA
(US)

Primary Examiner—Janice E. Seeger

(**) Term: **14 Years**

(74) *Attorney, Agent, or Firm*—Jones, Day, Reavis & Pogue

(21) Appl. No.: **29/151,203**

(57) **CLAIM**

(22) Filed: **Oct. 24, 2001**

The ornamental design for a table, as shown and described.

(51) **LOC (7) Cl.** **06-03**

DESCRIPTION

(52) **U.S. Cl.** **D6/486**

FIG. 1 is a top perspective view of a table showing my new design;

(58) **Field of Search** D6/480–489, 495–499,
D6/511; 108/150, 153.1, 155, 156, 161,
50.01, 50.02; 248/188, 188.1, 188.7

FIG. 2 is a side perspective view thereof;

FIG. 3 is another side perspective view thereof;

FIG. 4 is a side perspective view showing the side opposite that is shown in FIG. 2; and,

FIG. 5 is a top plan view thereof.

(56) **References Cited**

U.S. PATENT DOCUMENTS

D181,539 S * 11/1957 Lubberts et al. D6/480

1 Claim, 3 Drawing Sheets

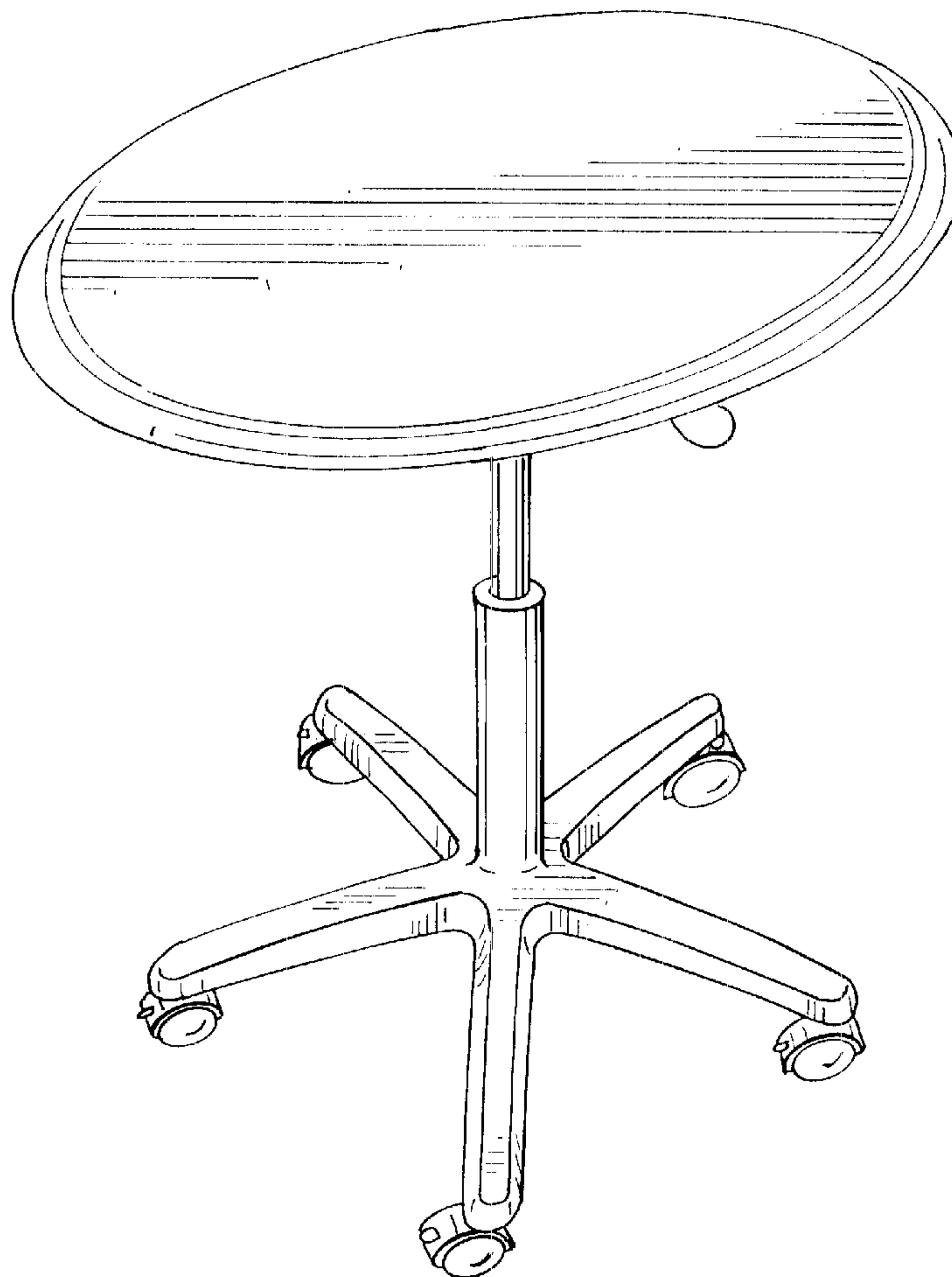


FIG. 1

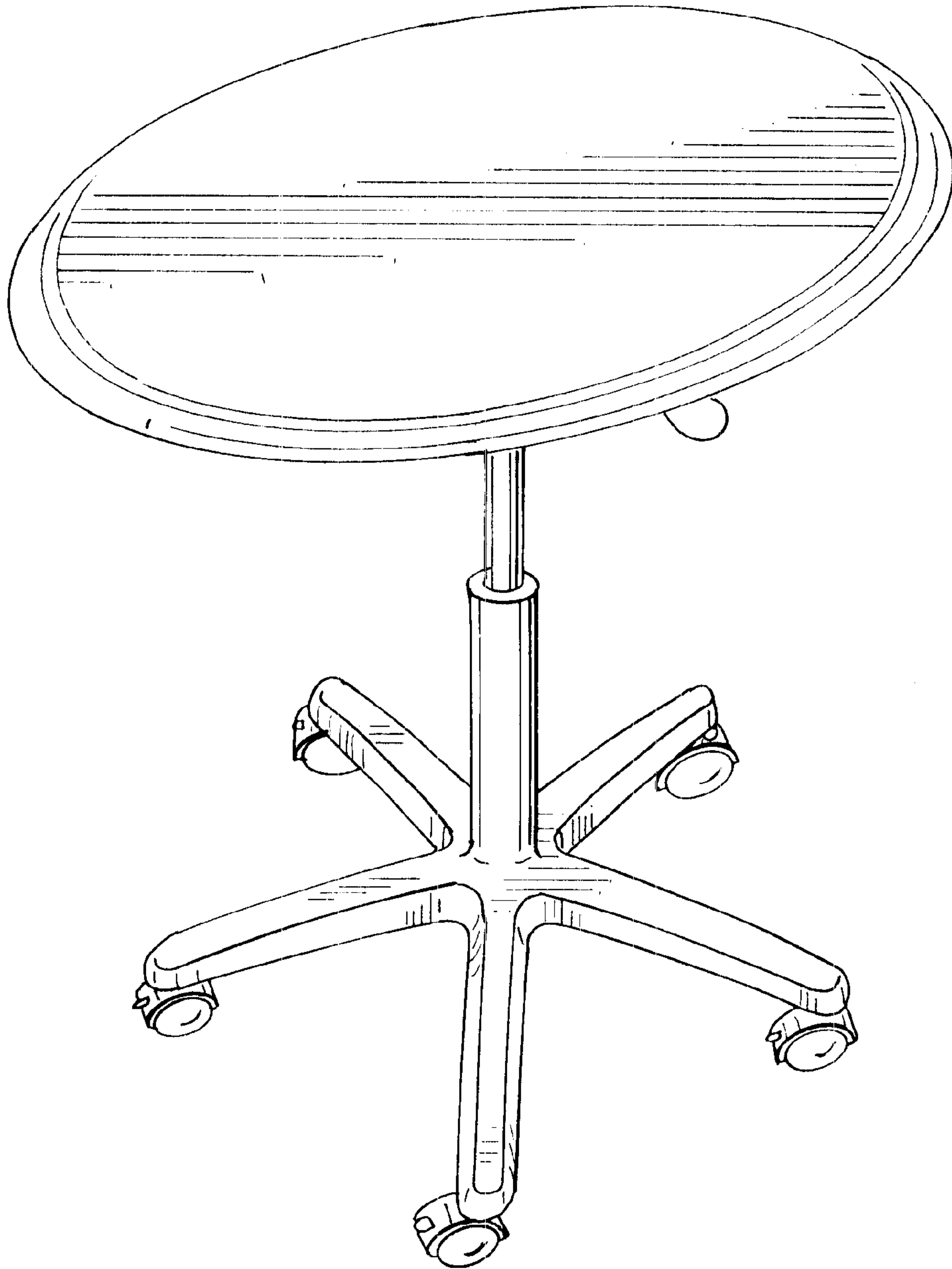


FIG. 2

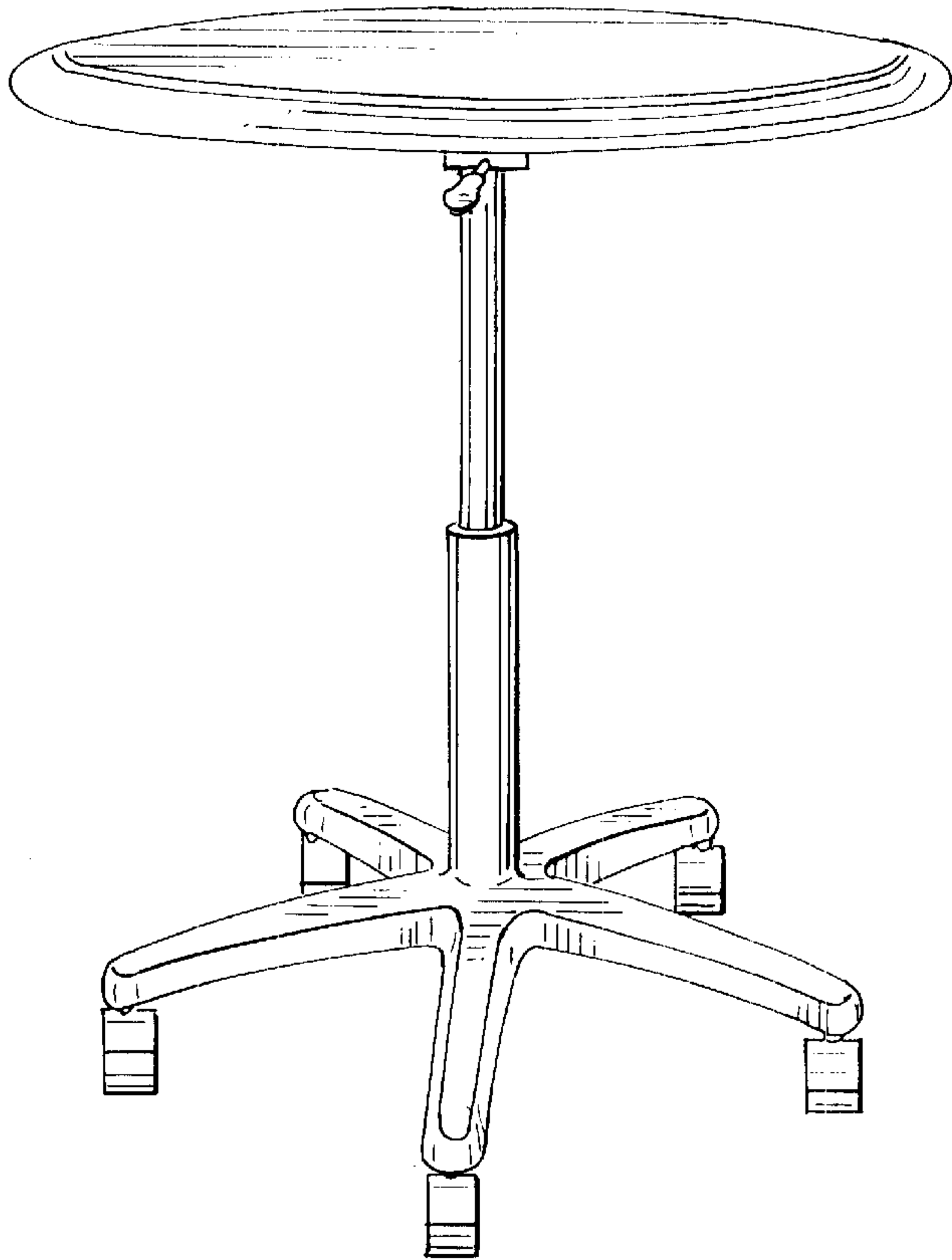


FIG. 3

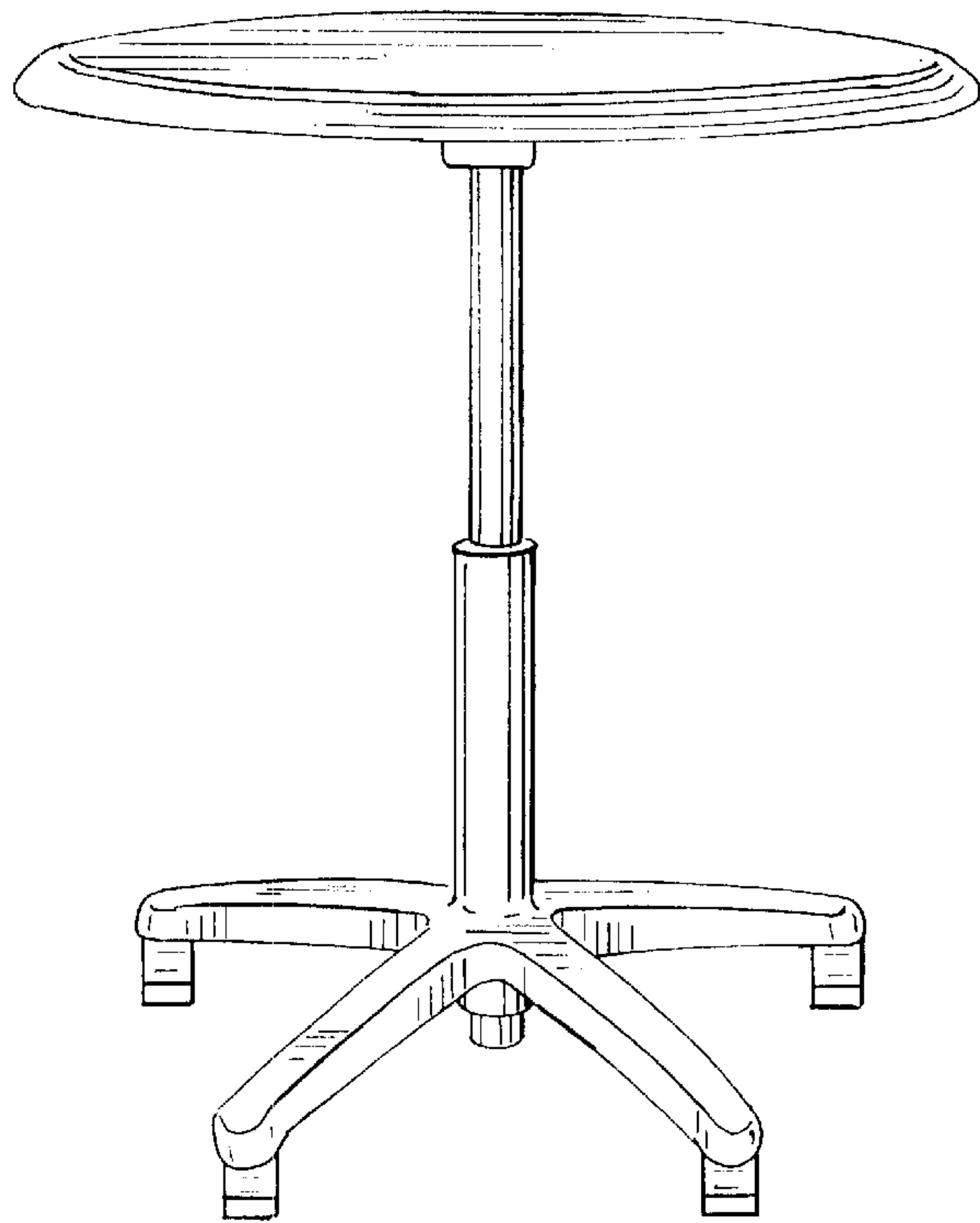


FIG. 4

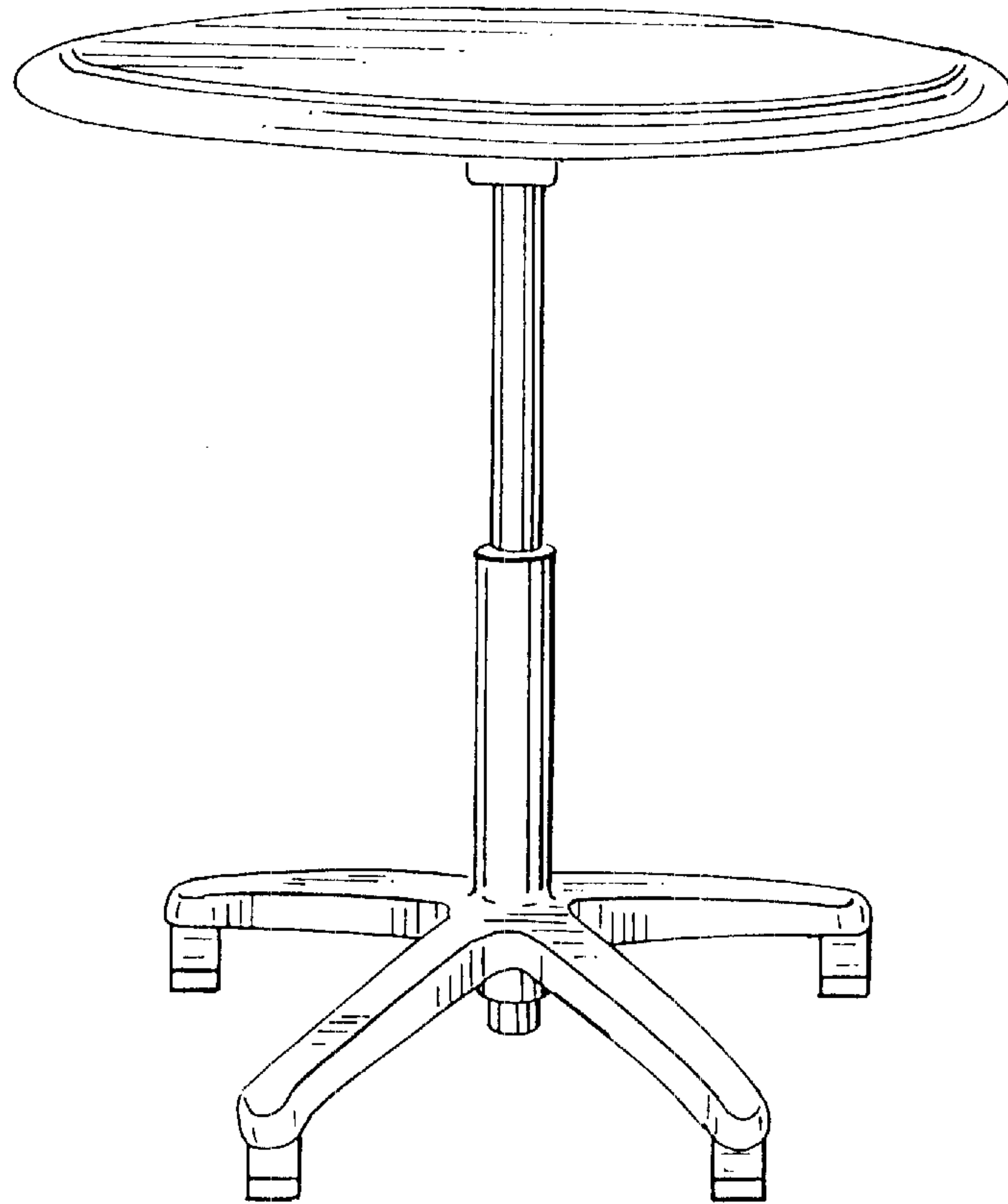


FIG. 5

