



US00D463684S

(12) **United States Design Patent**
Goodworth

(10) **Patent No.:** **US D463,684 S**

(45) **Date of Patent:** **** Oct. 1, 2002**

(54) **TABLE**

D338,789 S	*	8/1993	Rizzi	D6/486
D441,991 S	*	5/2001	Fan	D6/477
D452,627 S	*	1/2002	Petri	D6/511

(75) Inventor: **William H. Goodworth**, Davenport, IA
(US)

* cited by examiner

(73) Assignee: **HON Technology Inc.**, Muscatine, IA
(US)

Primary Examiner—Janice E. Seeger

(**) Term: **14 Years**

(74) *Attorney, Agent, or Firm*—Jones, Day, Reavis & Pogue

(21) Appl. No.: **29/151,202**

(57) **CLAIM**

(22) Filed: **Oct. 24, 2001**

The ornamental design for a table, as shown and described.

(51) **LOC (7) Cl.** **06-03**

DESCRIPTION

(52) **U.S. Cl.** **D6/486**

FIG. 1 is a top perspective view of a table showing my new design;

(58) **Field of Search** D6/480–489, 495–499,
D6/511; 108/150, 153.1, 155, 156, 161,
50.01, 50.02; 248/188, 188.1, 188.7

FIG. 2 is a side perspective view thereof;

FIG. 3 is another side perspective view showing the side opposite that is shown in FIG. 2;

FIG. 4 is another side perspective view thereof;

(56) **References Cited**

FIG. 5 is a side perspective view showing the side opposite that is shown in FIG. 4; and,

FIG. 6 is a top plan view thereof.

U.S. PATENT DOCUMENTS

3,153,524 A	*	10/1964	Greenfield et al.	248/188.7
3,994,461 A	*	11/1976	Dorantes	248/188.7

1 Claim, 4 Drawing Sheets

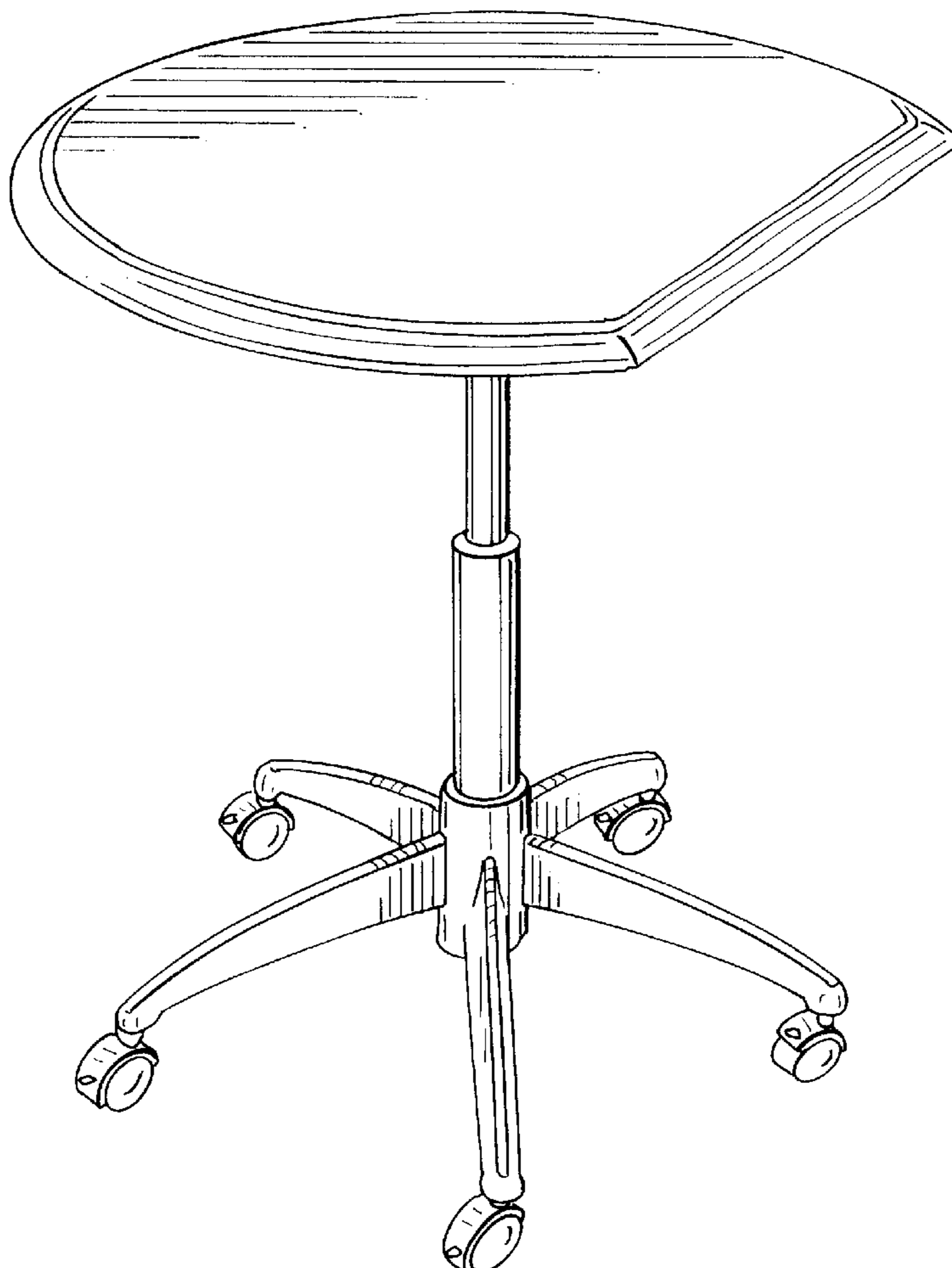


FIG. 1

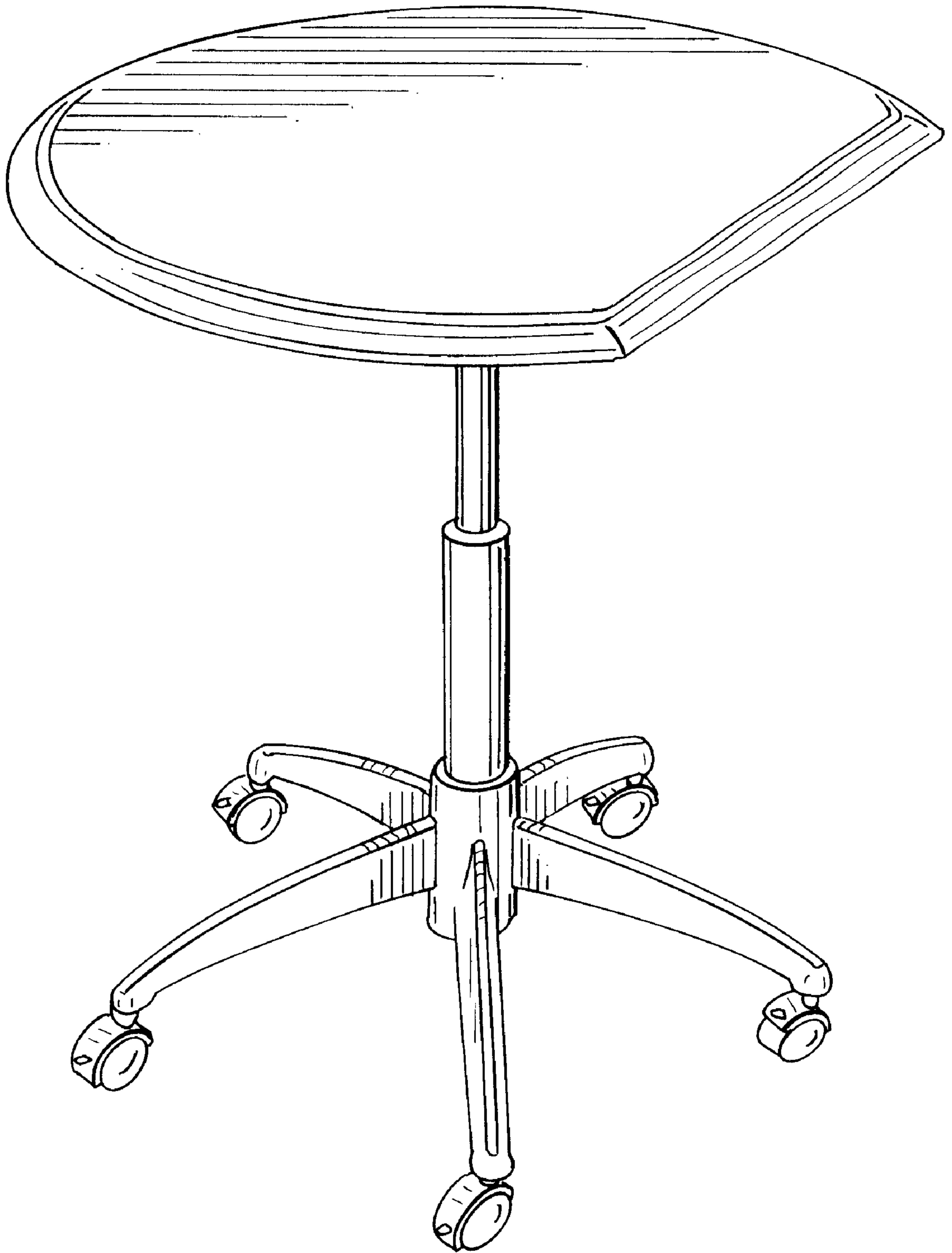


FIG. 2

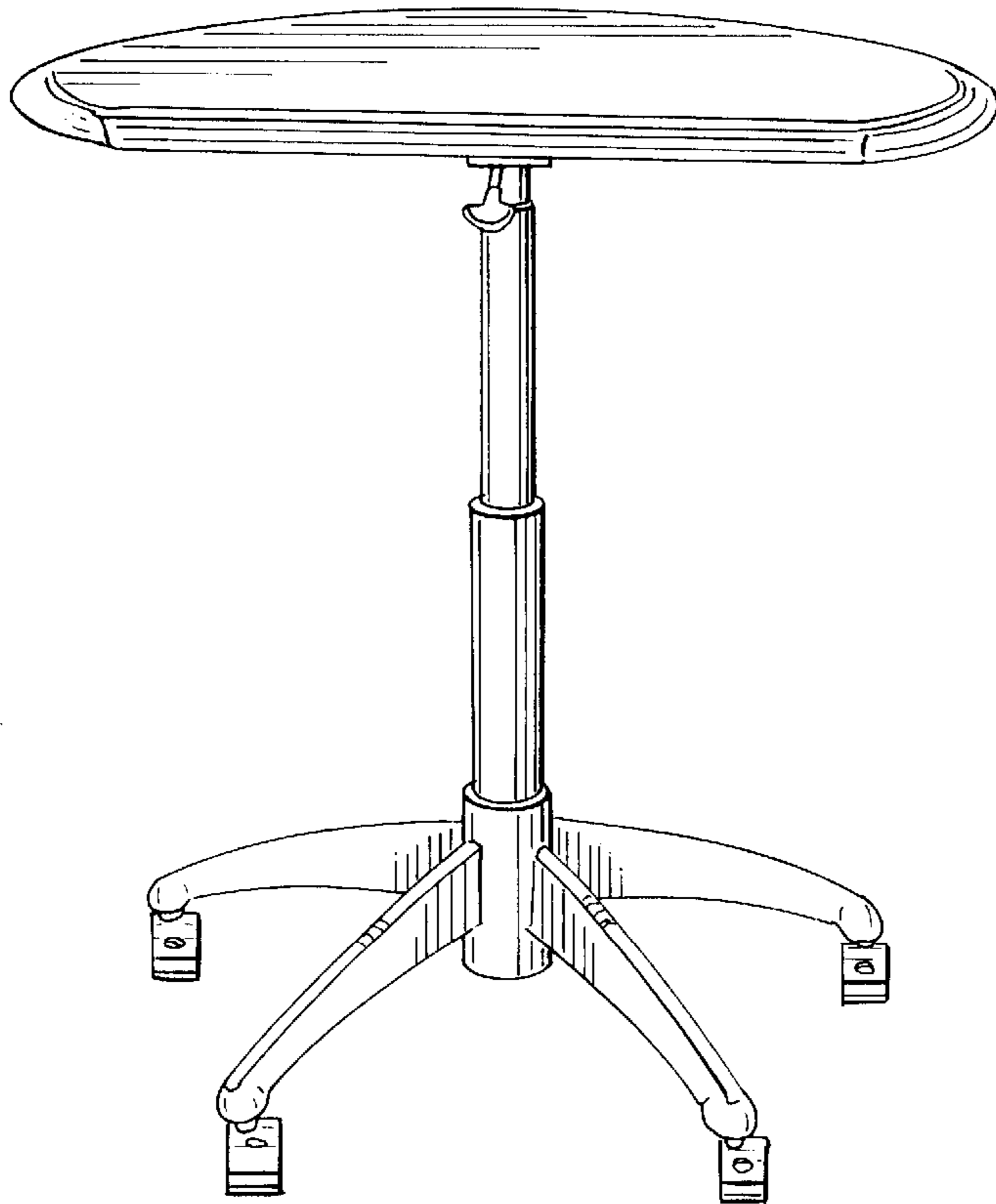


FIG. 3

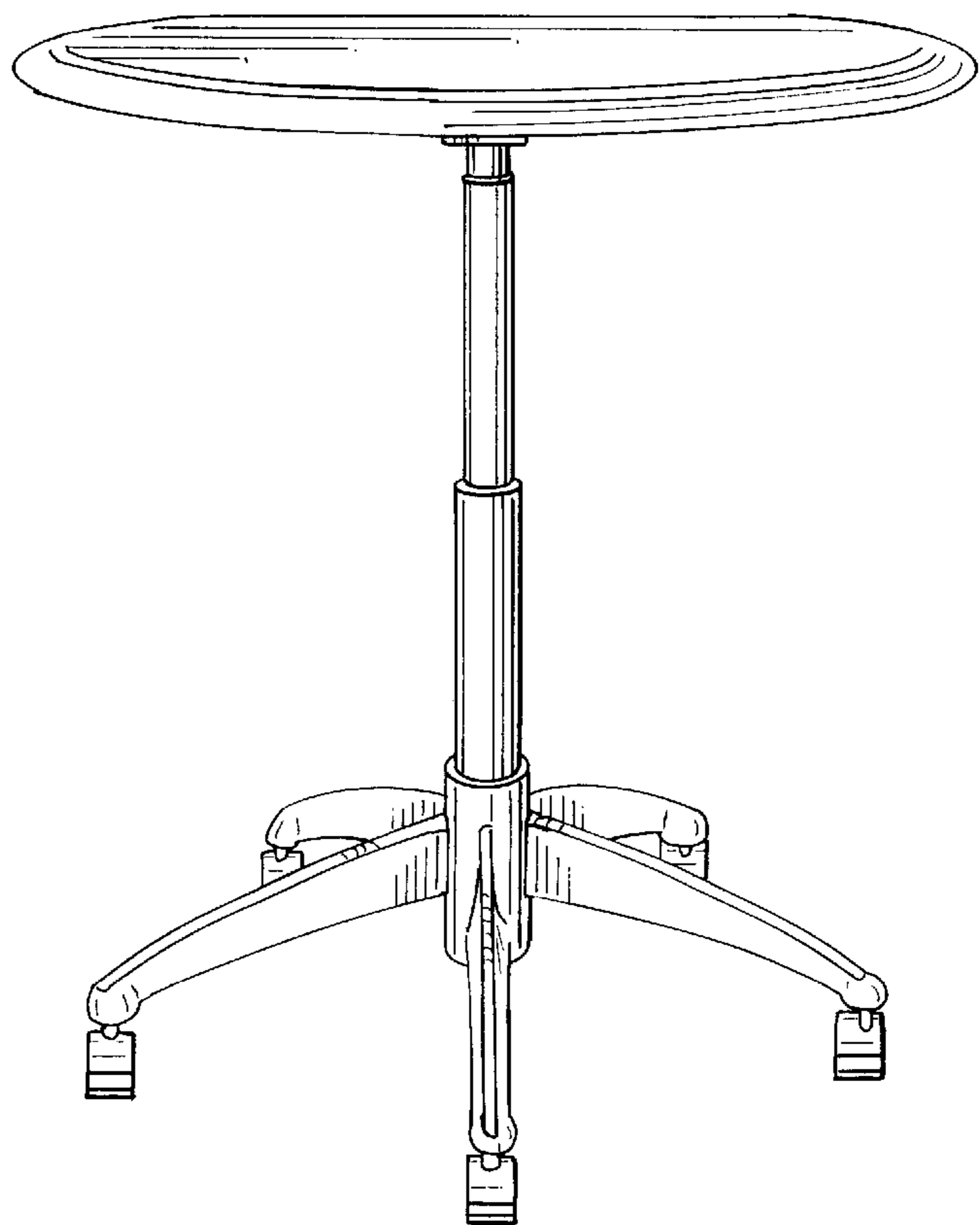


FIG. 4

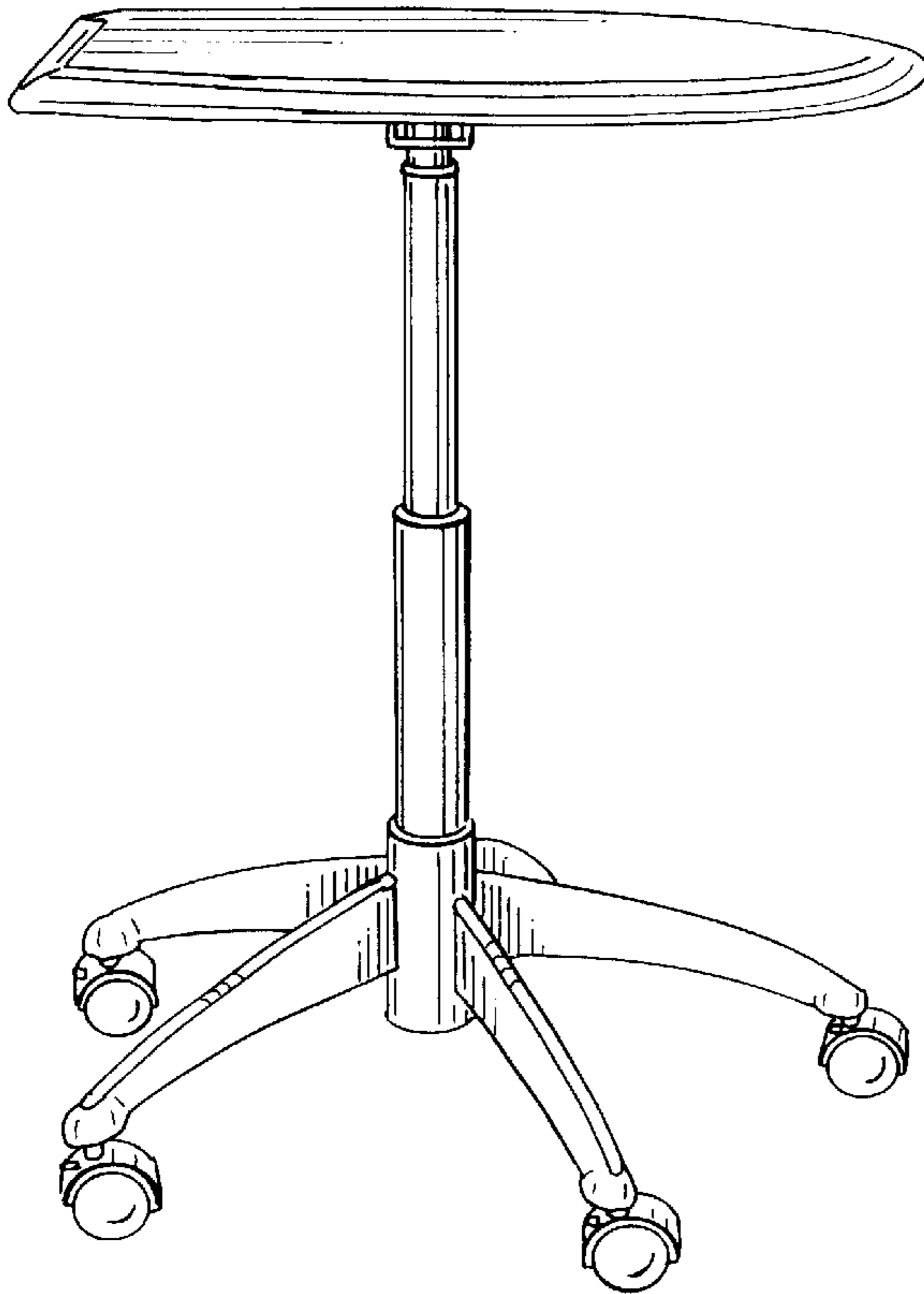


FIG. 5

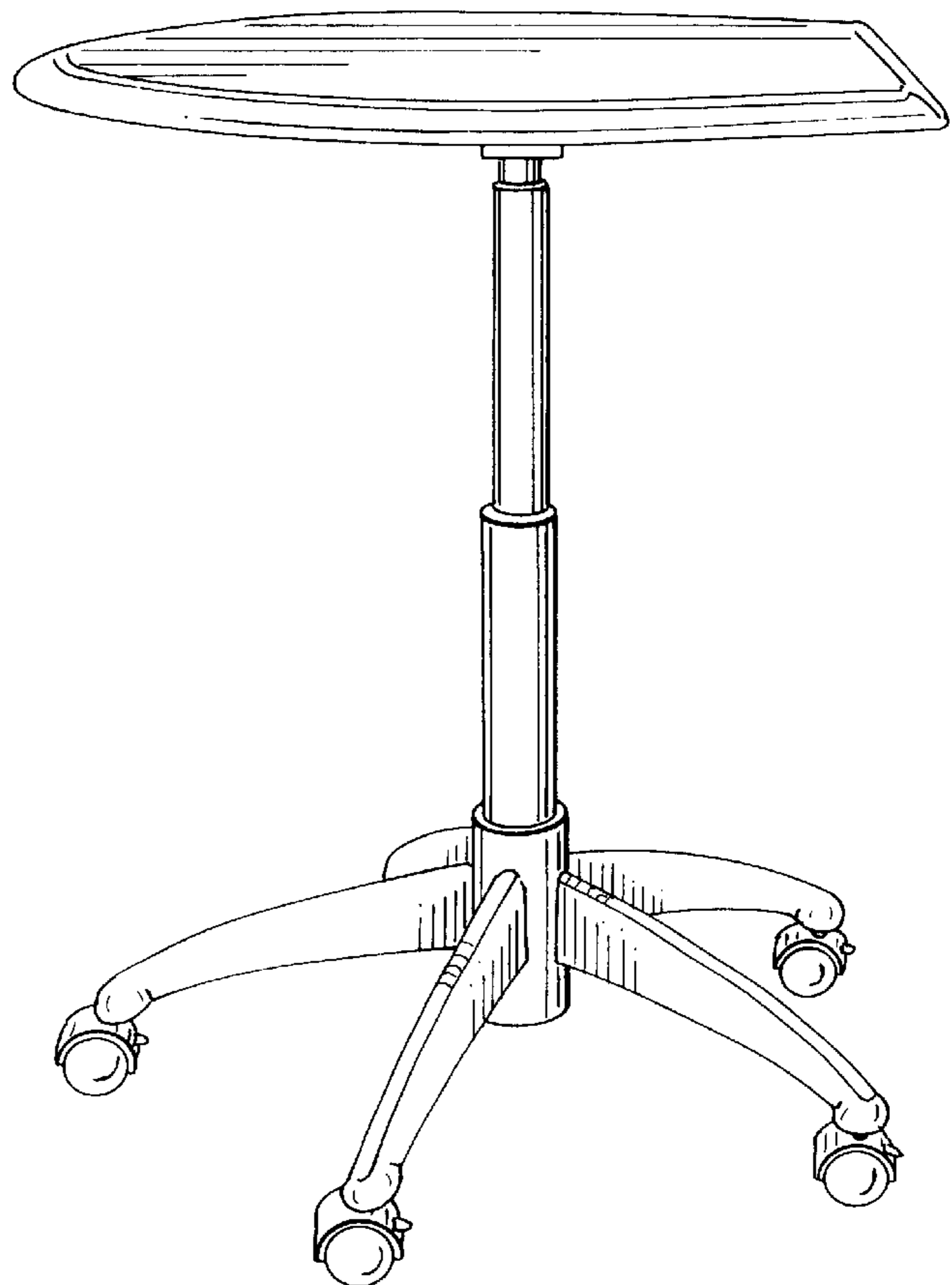


FIG. 6

