



US00D463683S

(12) **United States Design Patent**  
**Goodworth**

(10) **Patent No.:** **US D463,683 S**

(45) **Date of Patent:** **\*\* Oct. 1, 2002**

(54) **TABLE**

(75) **Inventor:** **William H. Goodworth**, Davenport, IA  
(US)

(73) **Assignee:** **HON Technology Inc.**, Muscatine, IA  
(US)

(\*\*) **Term:** **14 Years**

(21) **Appl. No.:** **29/151,201**

(22) **Filed:** **Oct. 24, 2001**

(51) **LOC (7) Cl.** ..... **06-03**

(52) **U.S. Cl.** ..... **D6/486**

(58) **Field of Search** ..... D6/480-489, 495-499,  
D6/511; 108/150, 153.1, 155, 156, 161,  
50.01, 50.02; 248/188, 188.1, 188.7

(56) **References Cited**

**U.S. PATENT DOCUMENTS**

D165,584 S \* 1/1952 Johnson ..... D6/482  
D166,360 S \* 4/1952 Shinn ..... D6/482

D301,414 S \* 6/1989 Maltese ..... D6/420  
D369,928 S \* 5/1996 Larkin ..... D6/498  
D441,991 S \* 5/2001 Fan ..... D6/477

\* cited by examiner

*Primary Examiner*—Janice E. Seeger

(74) *Attorney, Agent, or Firm*—Jones, Day, Reavis & Pogue

(57) **CLAIM**

The ornamental design for a table, as shown and described.

**DESCRIPTION**

FIG. 1 is a top perspective view of a table showing my new design;

FIG. 2 is a side perspective view thereof;

FIG. 3 is another side perspective view showing the side opposite that is shown in FIG. 2;

FIG. 4 is another side perspective view thereof;

FIG. 5 is a side perspective view showing the side opposite that is shown in FIG. 4; and,

FIG. 6 is a top plan view thereof.

**1 Claim, 4 Drawing Sheets**

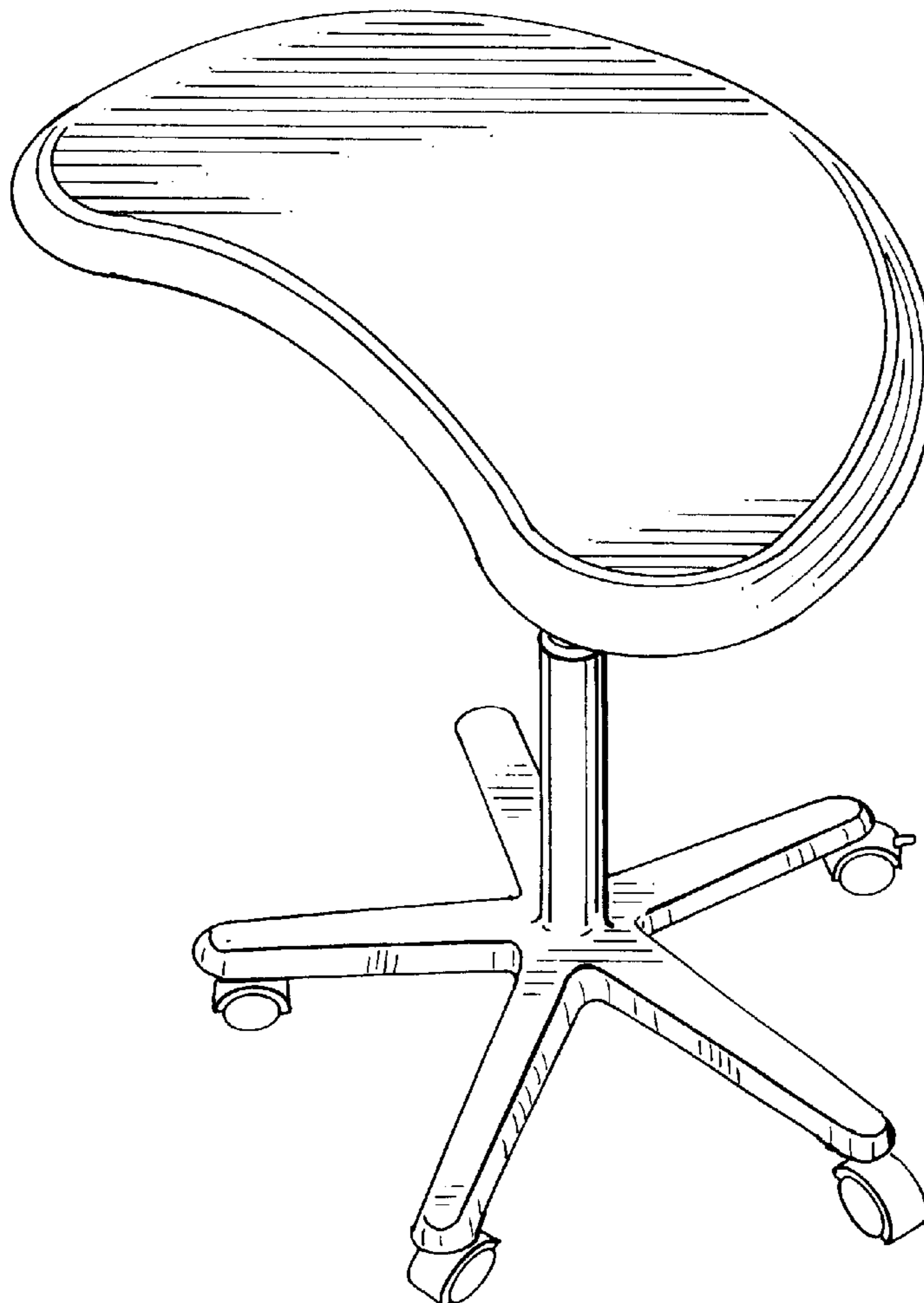


FIG. 1

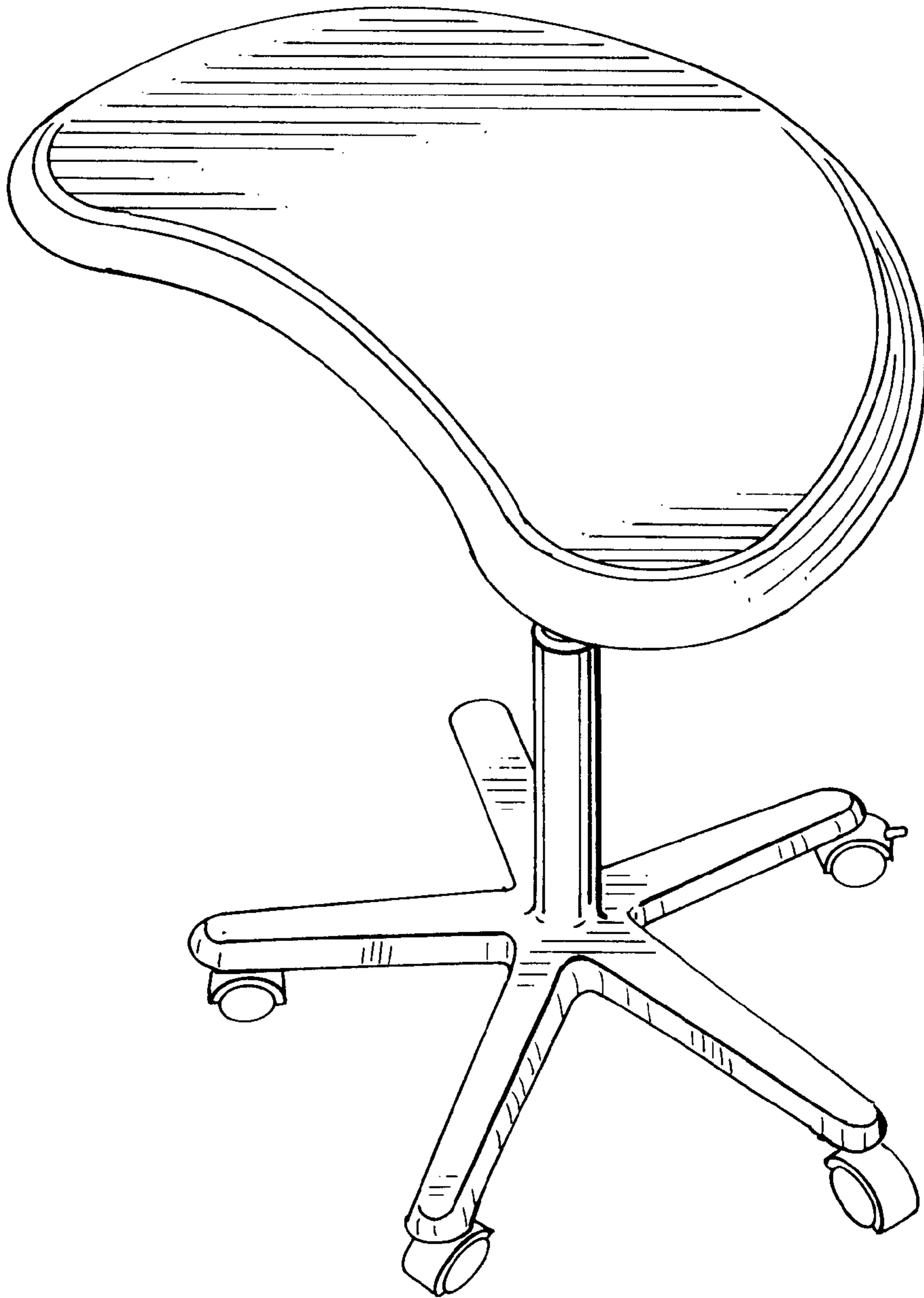


FIG. 2

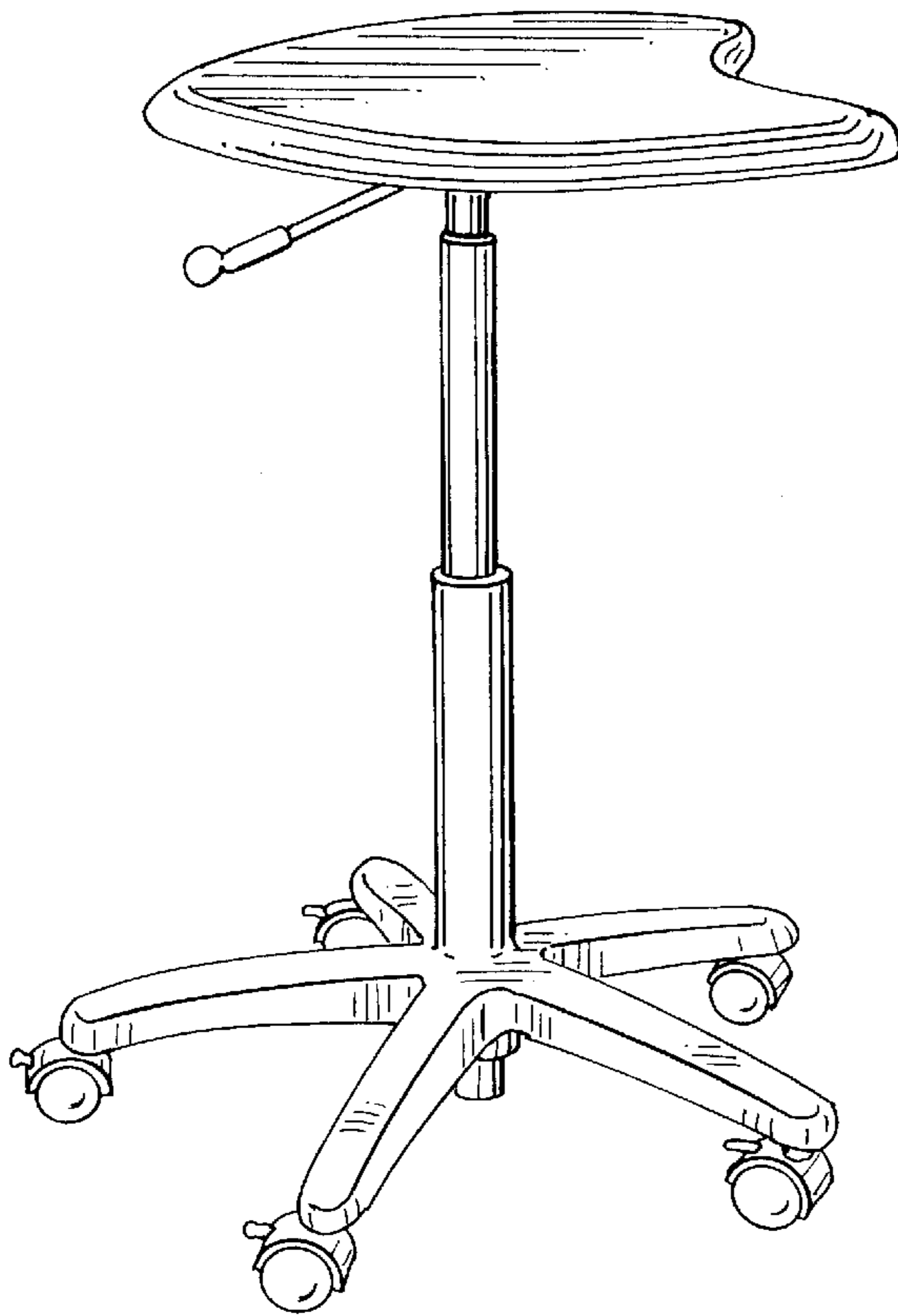


FIG. 3

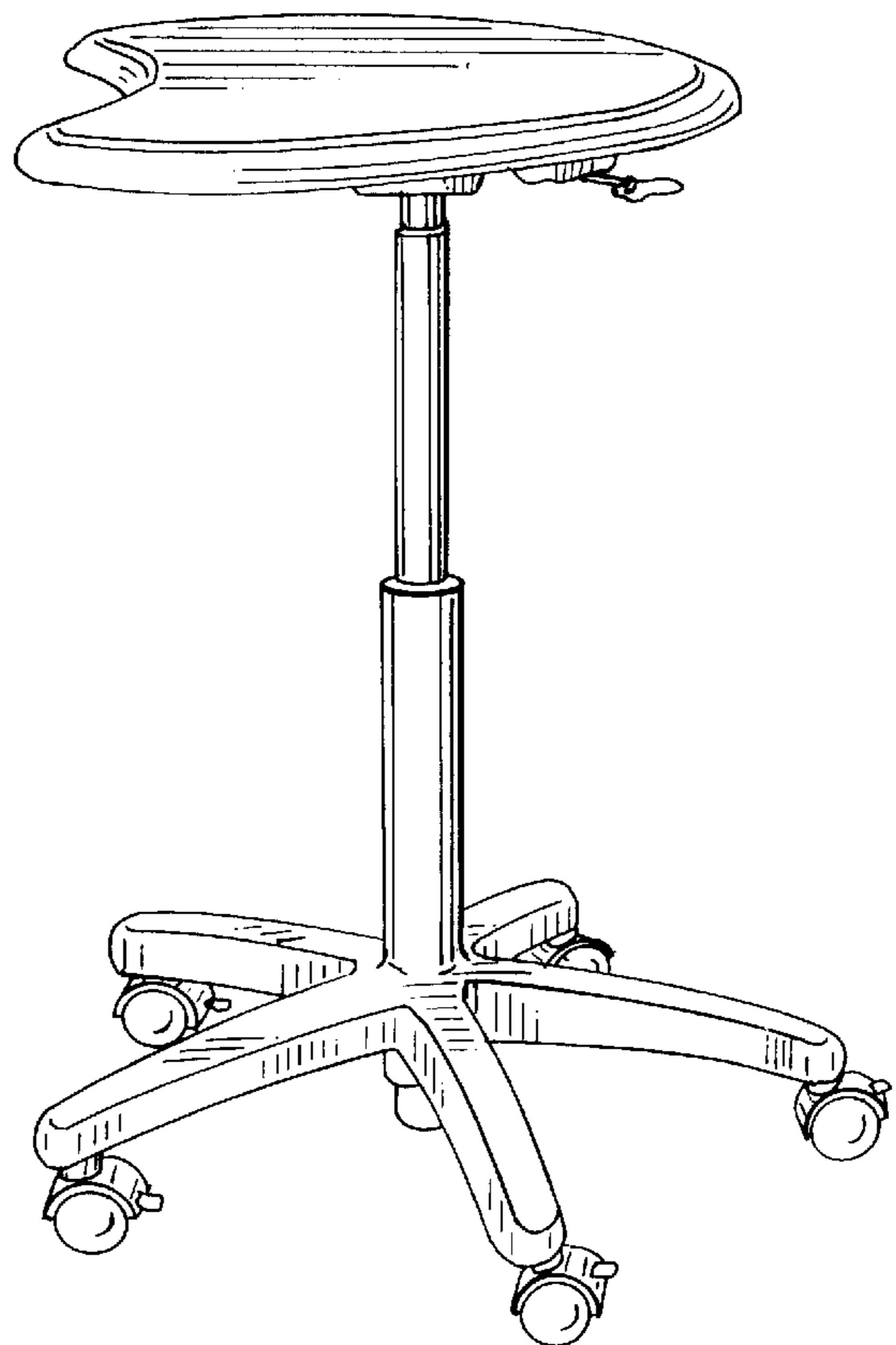


FIG. 4

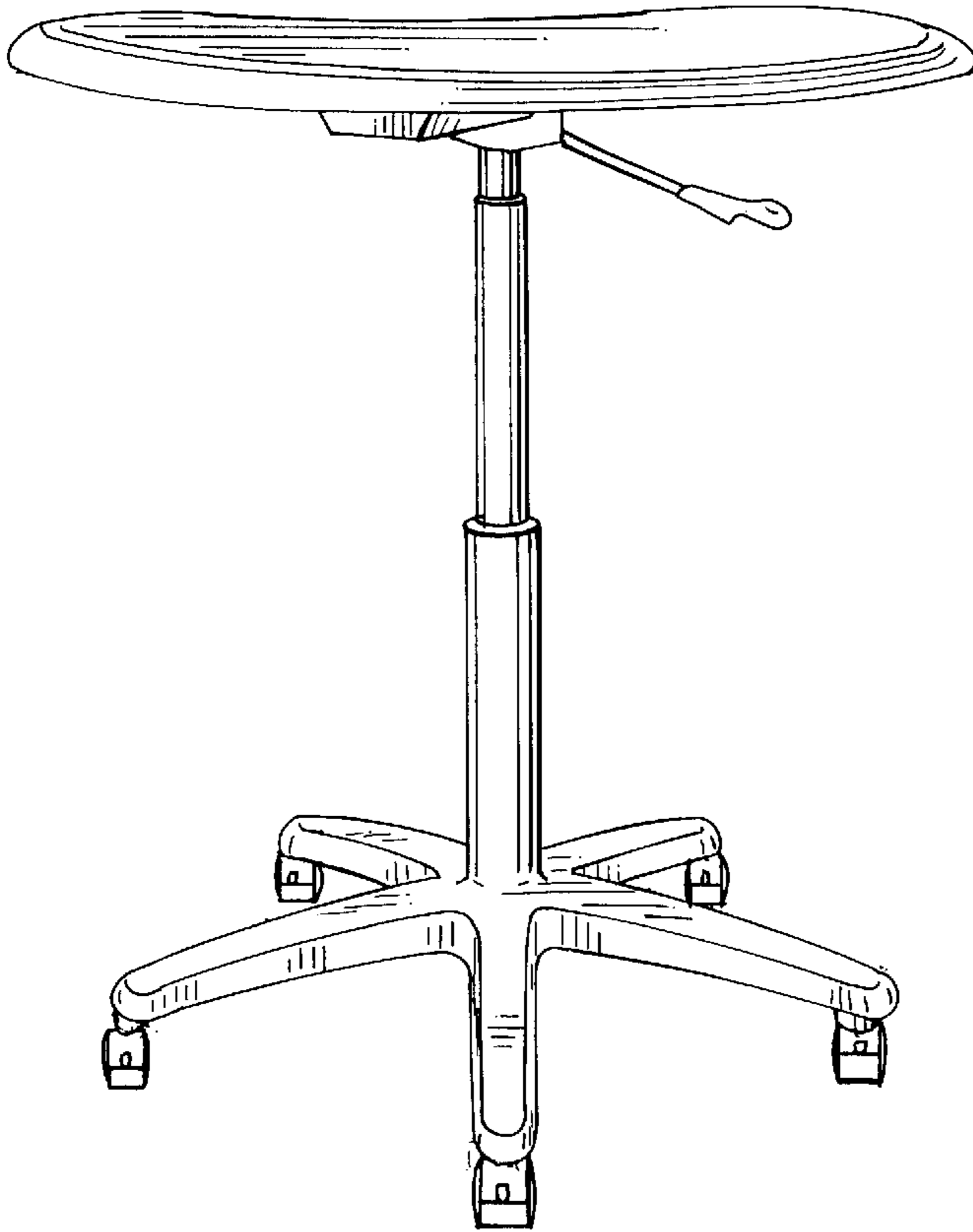


FIG. 5



**FIG. 6**

