



US00D463681S

(12) **United States Design Patent**  
**Andersen et al.**

(10) **Patent No.:** **US D463,681 S**

(45) **Date of Patent:** **\*\* Oct. 1, 2002**

- (54) **RACK**
- (75) Inventors: **Per Weiss Andersen**, Randers (DK);  
**Jesper Bo Elg**, Randers (DK)
- (73) Assignee: **Innovation Randers A/S**, Randers (DK)
- (\*\*) Term: **14 Years**
- (21) Appl. No.: **29/144,411**
- (22) Filed: **Jul. 3, 2001**
- (30) **Foreign Application Priority Data**  
Jan. 8, 2001 (DK) ..... MA 2001 00022
- (51) **LOC (7) Cl.** ..... **06-04**
- (52) **U.S. Cl.** ..... **D6/449; D6/463**
- (58) **Field of Search** ..... D6/396, 449, 409,  
D6/410, 411, 458, 462, 465, 475, 476;  
D34/17, 19; 108/29, 59, 91-93; 211/13.1,  
34, 85.31, 49.1, 133.2, 181.1, 182

- D277,626 S \* 2/1985 Evans ..... D6/411
- D290,791 S \* 7/1987 Kester ..... D6/411
- D290,792 S \* 7/1987 Kester ..... D6/411
- D329,765 S \* 9/1992 Ackley et al. .... D6/465
- D340,369 S \* 10/1993 Dokoupil et al. .... D6/465
- D362,945 S \* 10/1995 Glinski ..... D6/462 X
- D365,226 S \* 12/1995 Goebel ..... D6/449
- 5,685,238 A \* 11/1997 Chambers ..... 108/193
- D396,362 S \* 7/1998 Loo ..... D6/465
- 5,921,647 A \* 7/1999 Schneider et al. .... 312/265.3
- D430,431 S \* 9/2000 Walter ..... D6/465

\* cited by examiner

*Primary Examiner*—Cathron C. Brooks

(74) *Attorney, Agent, or Firm*—Dykema Gossett PLLC

(57) **CLAIM**

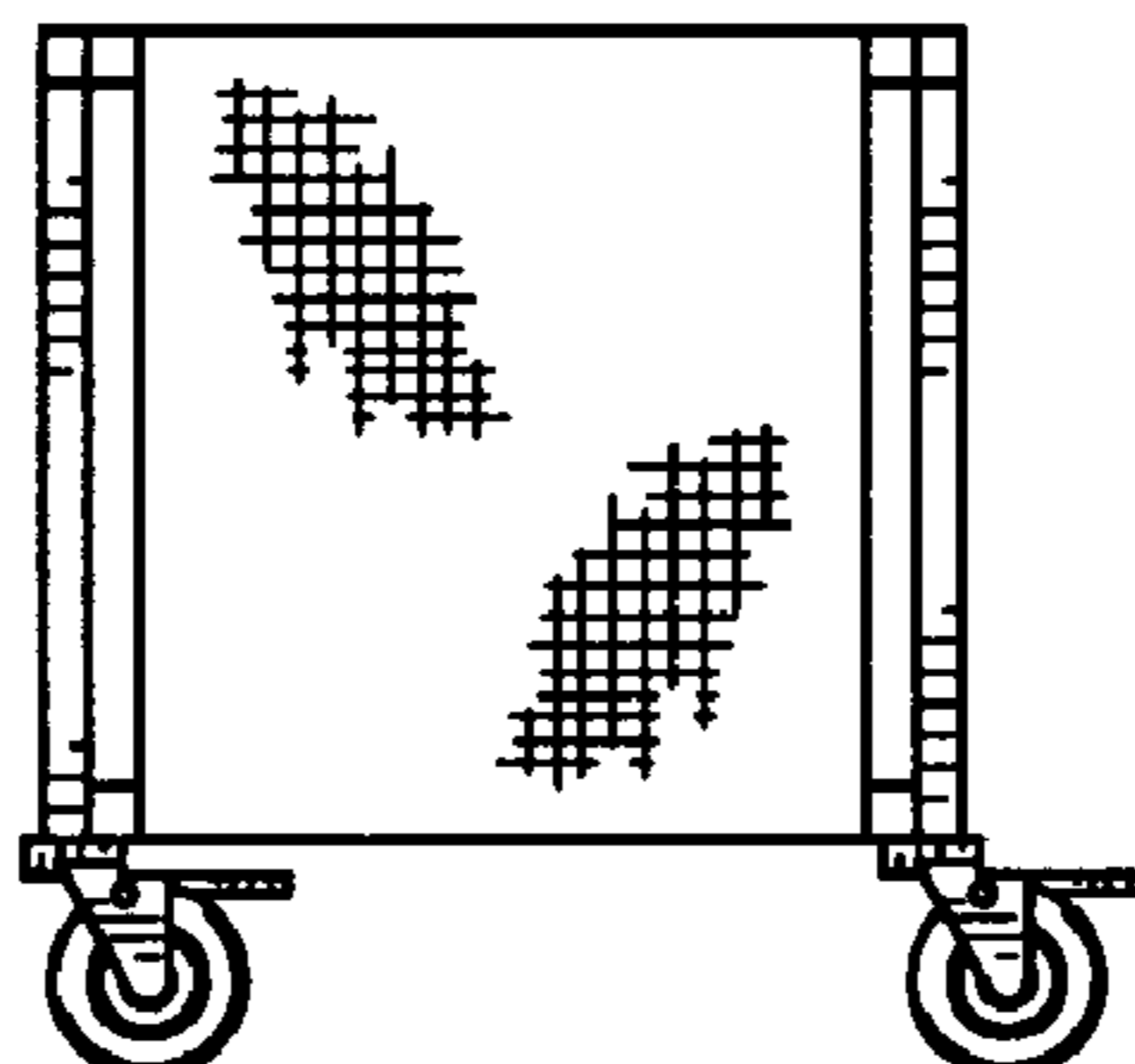
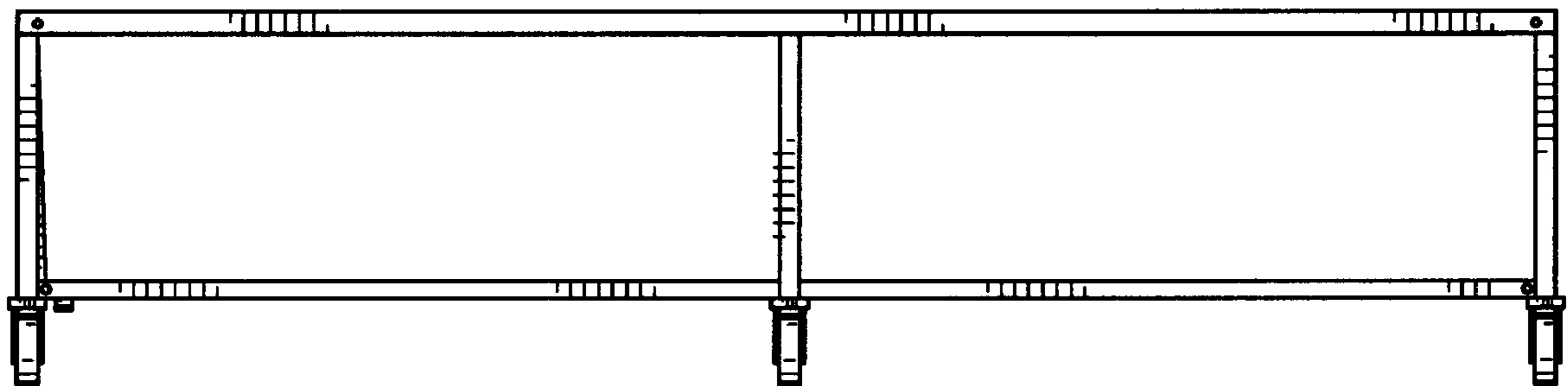
The ornamental design for a rack, as shown and described.

**DESCRIPTION**

FIG. 1 is a front elevational view of a rack in accordance with our new and ornamental design, FIG. 2 is a rear elevational view thereof, FIG. 3 is a right end elevational view thereof, FIG. 4 is a left end elevational view thereof, FIG. 5 is a top plan view thereof; and, FIG. 6 is a bottom plan view thereof.

**1 Claim, 2 Drawing Sheets**

- (56) **References Cited**  
U.S. PATENT DOCUMENTS  
D181,412 S \* 11/1957 Fox ..... D6/465 X  
D237,750 S \* 11/1975 Martin ..... D34/17  
4,418,627 A \* 12/1983 Baker ..... 108/91



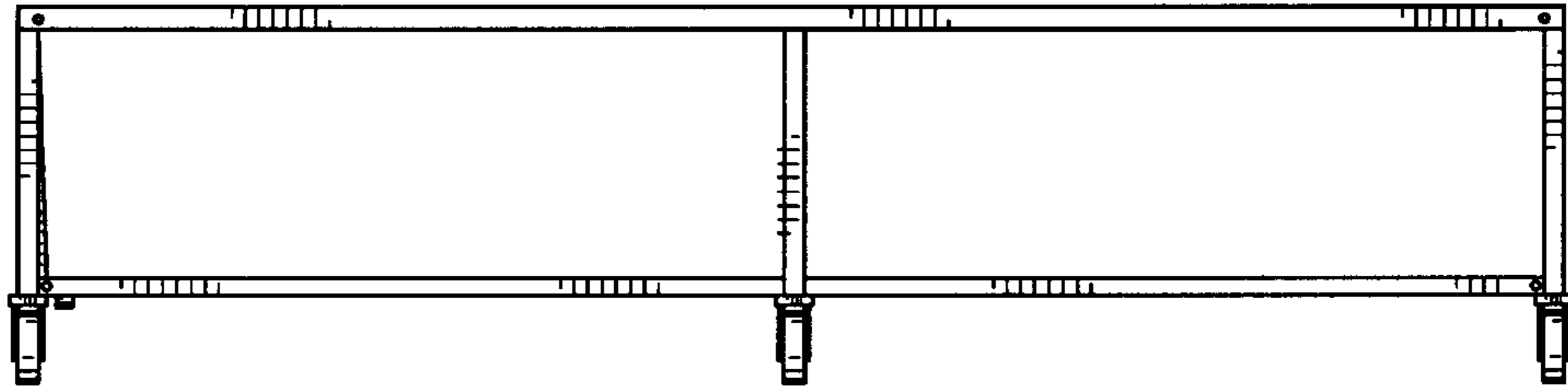


FIG. 1

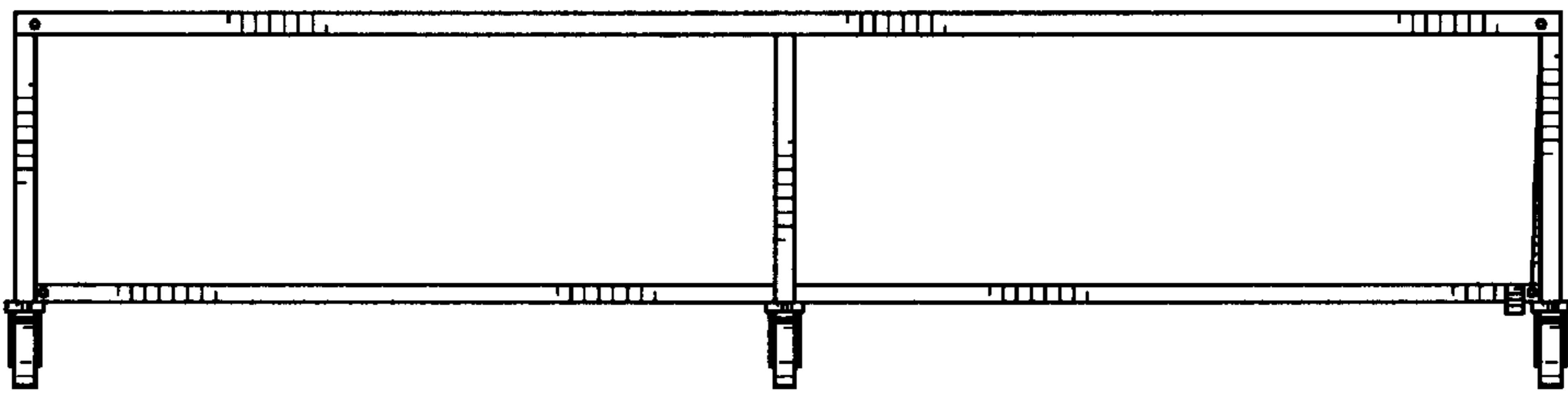


FIG. 2

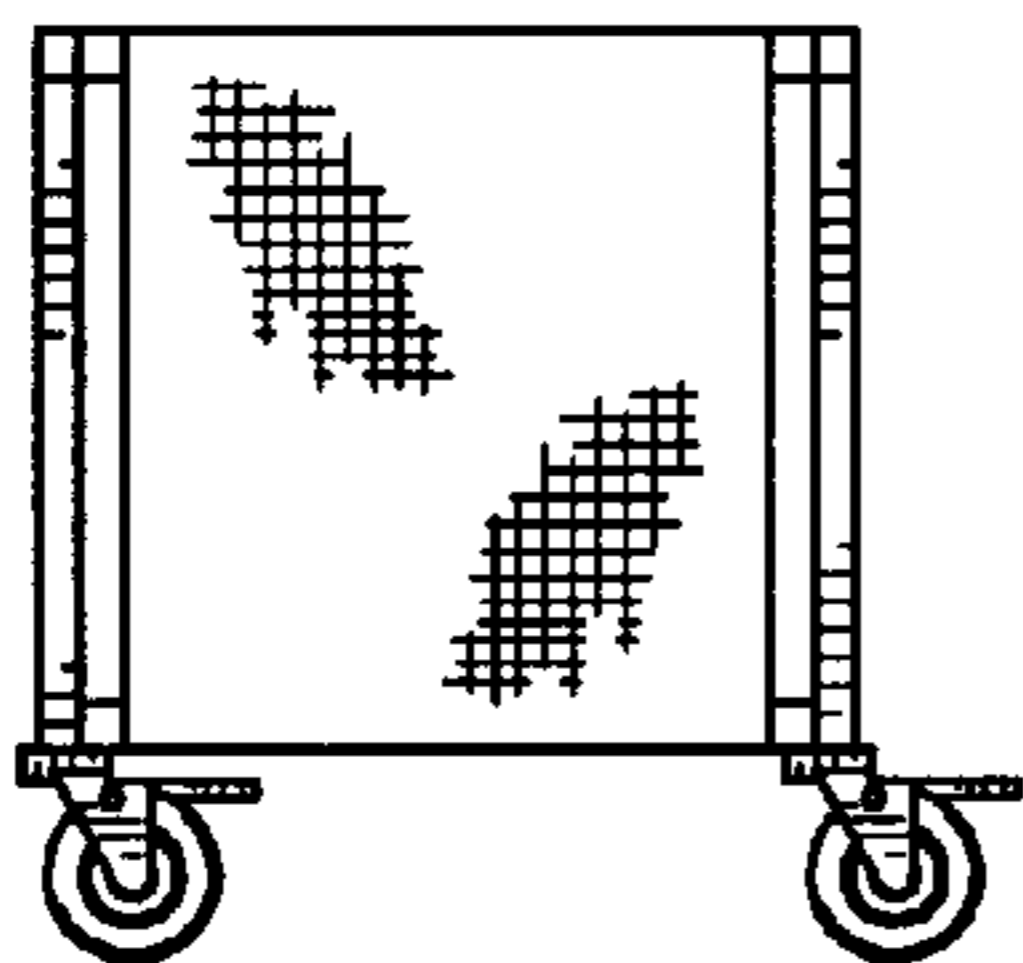


FIG. 3

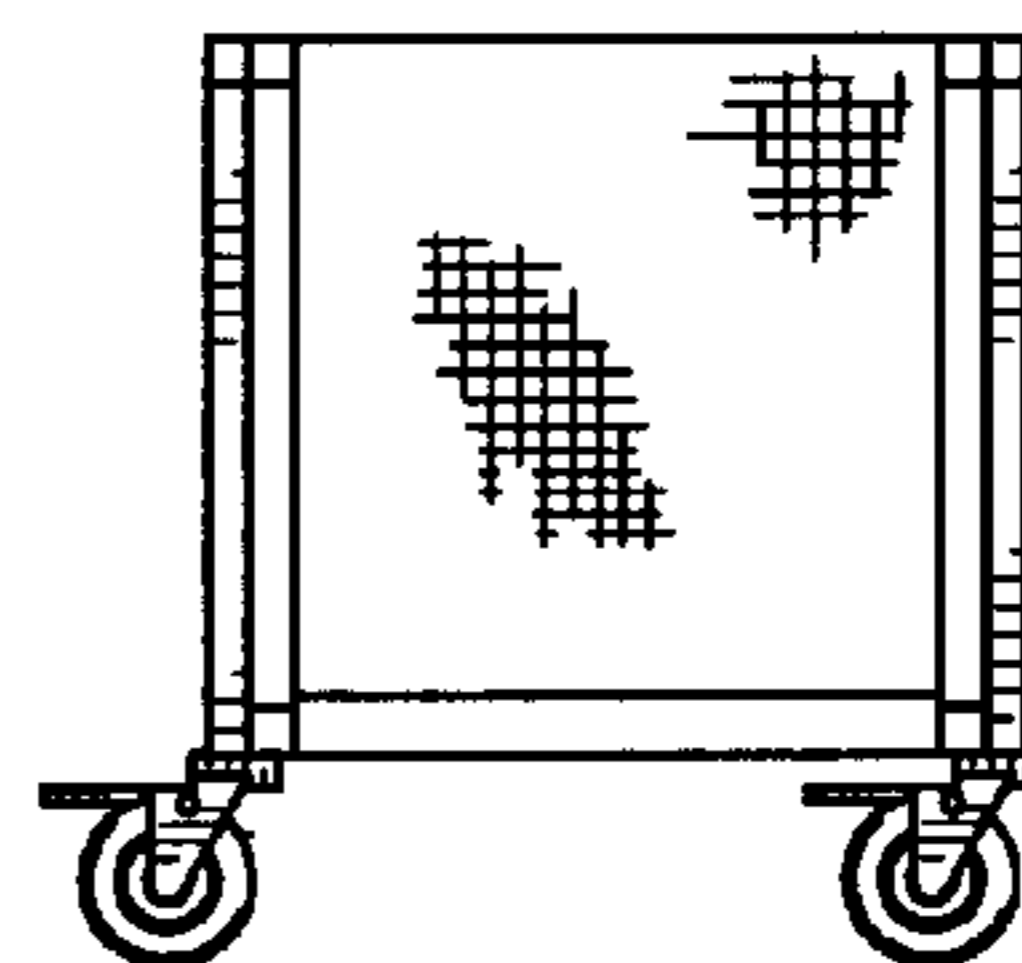


FIG. 4

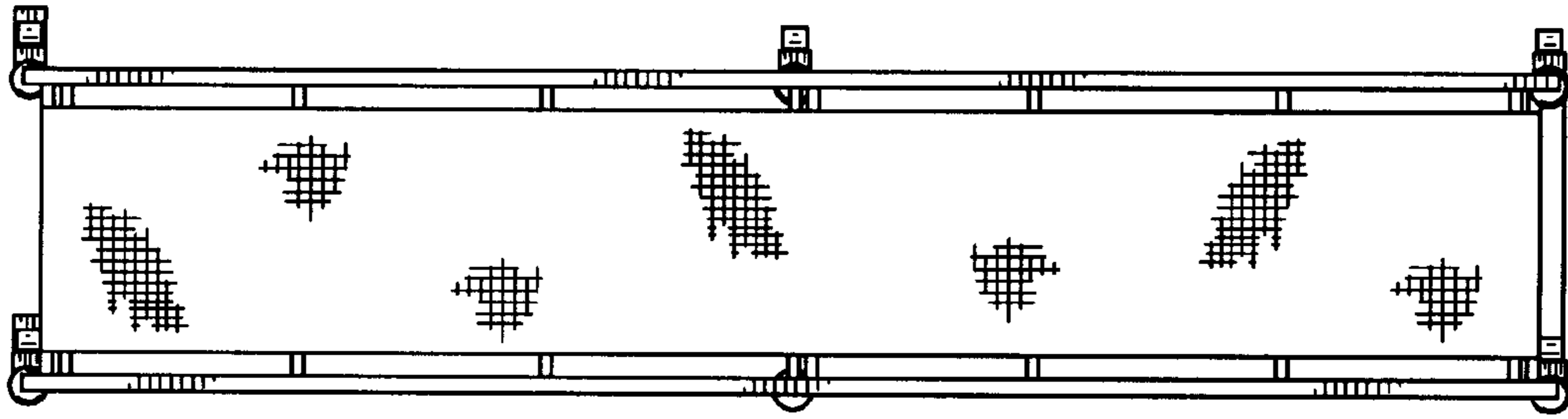


FIG. 5

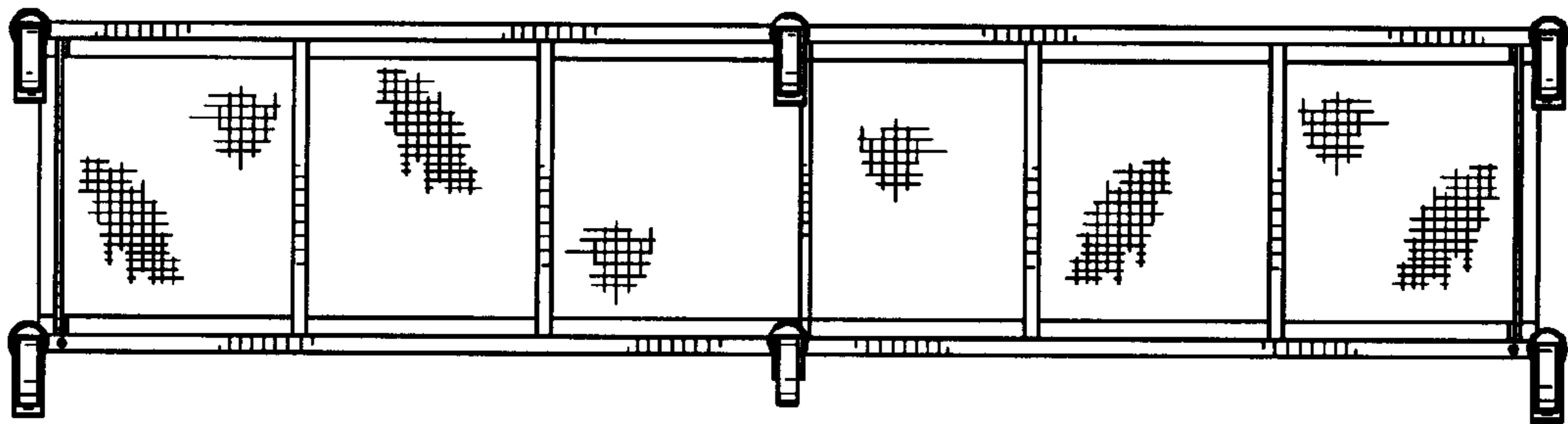


FIG. 6