



US00D463678S

(12) **United States Design Patent**
Lenger

(10) **Patent No.:** **US D463,678 S**

(45) **Date of Patent:** **** Oct. 1, 2002**

(54) **BED FRAME**

Pottery Barn, Aug. 1997, p. 35 bed.*

(75) Inventor: **Sidney A. Lenger**, Kernersville, NC
(US)

* cited by examiner

(73) Assignee: **Schottenstein Stores Corporation**,
Columbus, OH (US)

Primary Examiner—Janice E. Seeger
(74) *Attorney, Agent, or Firm*—Wood, Herron & Evans,
L.L.P.

(**) Term: **14 Years**

(57) **CLAIM**

(21) Appl. No.: **29/149,593**

The ornamental design for the bed frame, as shown and described.

(22) Filed: **Oct. 12, 2001**

DESCRIPTION

(51) **LOC (7) Cl.** **06-01**

(52) **U.S. Cl.** **D6/393**

(58) **Field of Search** D6/382, 389, 392–395,
D6/505–508; 5/53.1, 279.1, 280, 281, 907

FIG. 1 is a front elevational view of a bed frame, incorporating the design of my invention;
FIG. 2 is a left side elevational view thereof;
FIG. 3 is a rear elevational view thereof;
FIG. 4 is a right-side elevational view thereof;
FIG. 5 is a top plan view thereof;
FIG. 6 is a bottom plan view thereof;
FIG. 7 is a vertical, cross-sectional view along Line 7—7 of FIG. 2, depicting the front of the headboard;
FIG. 8 is a vertical, cross-sectional view along Line 8—8 of FIG. 2, depicting the rear of the footboard; and,
FIG. 9 is a vertical, cross-sectional view along Line 9—9 of FIG. 1, depicting the surface contours of the front and rear surfaces of the central panel of the headboard and footboard of the bed frame and the inner surface of the right side.

(56) **References Cited**

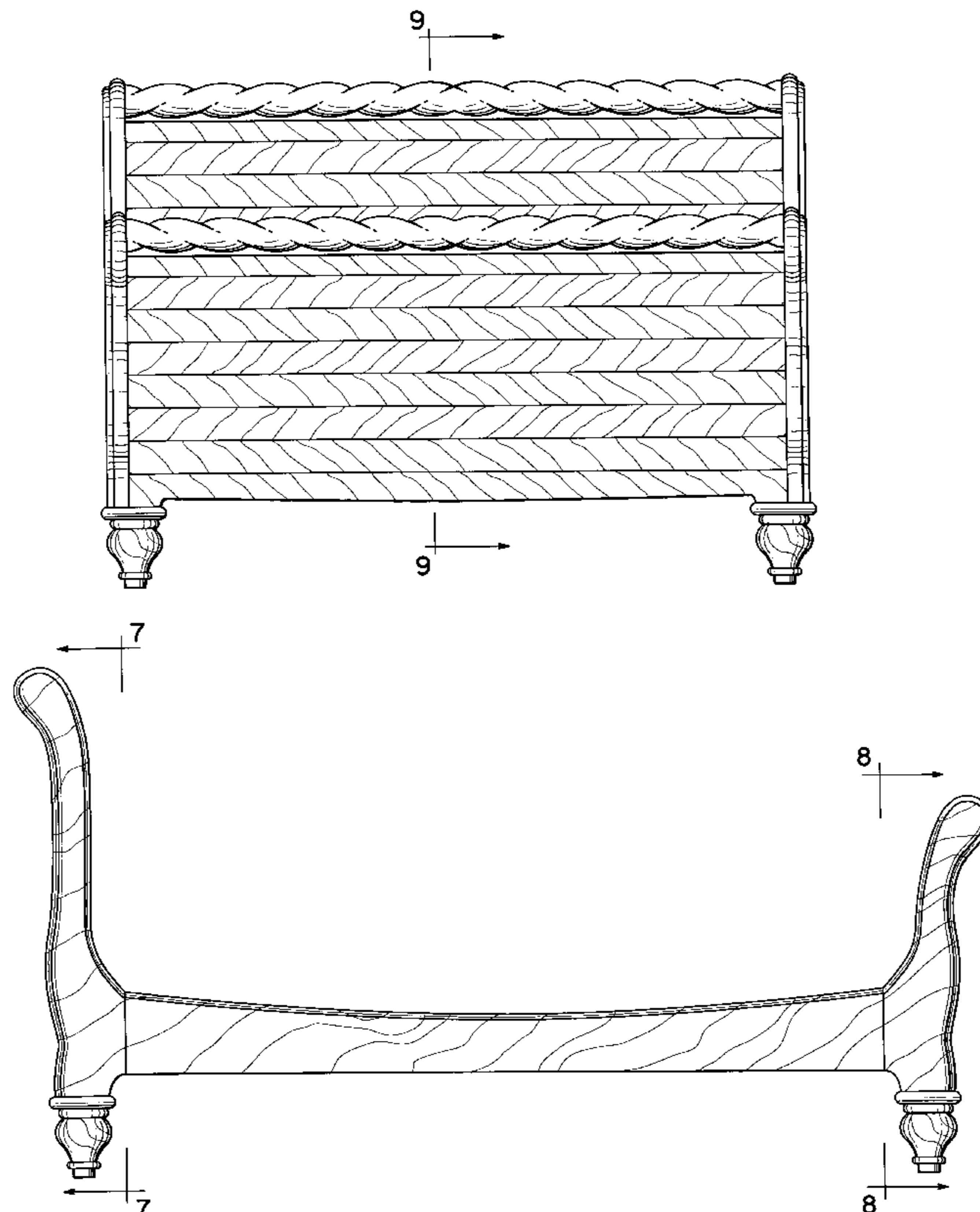
U.S. PATENT DOCUMENTS

D88,180 S	*	11/1932	Van De Riet	D6/393
D373,486 S	*	9/1996	Keller et al.	D6/393
D421,855 S	*	3/2000	McDaniel et al.	D6/393
D448,947 S	*	10/2001	McDaniel et al.	D6/389

OTHER PUBLICATIONS

- Ethan Allen c1998, p. 320, bed at lower right, 13–5640.*
- Ethan Allen c1998, bed at top left., 11–5640.*
- Jordan Marsh Aug. 1992, bed in center.*
- Bloomingtons, Jul. 1, 1993, p. 14, bed B at bottom.*

1 Claim, 9 Drawing Sheets



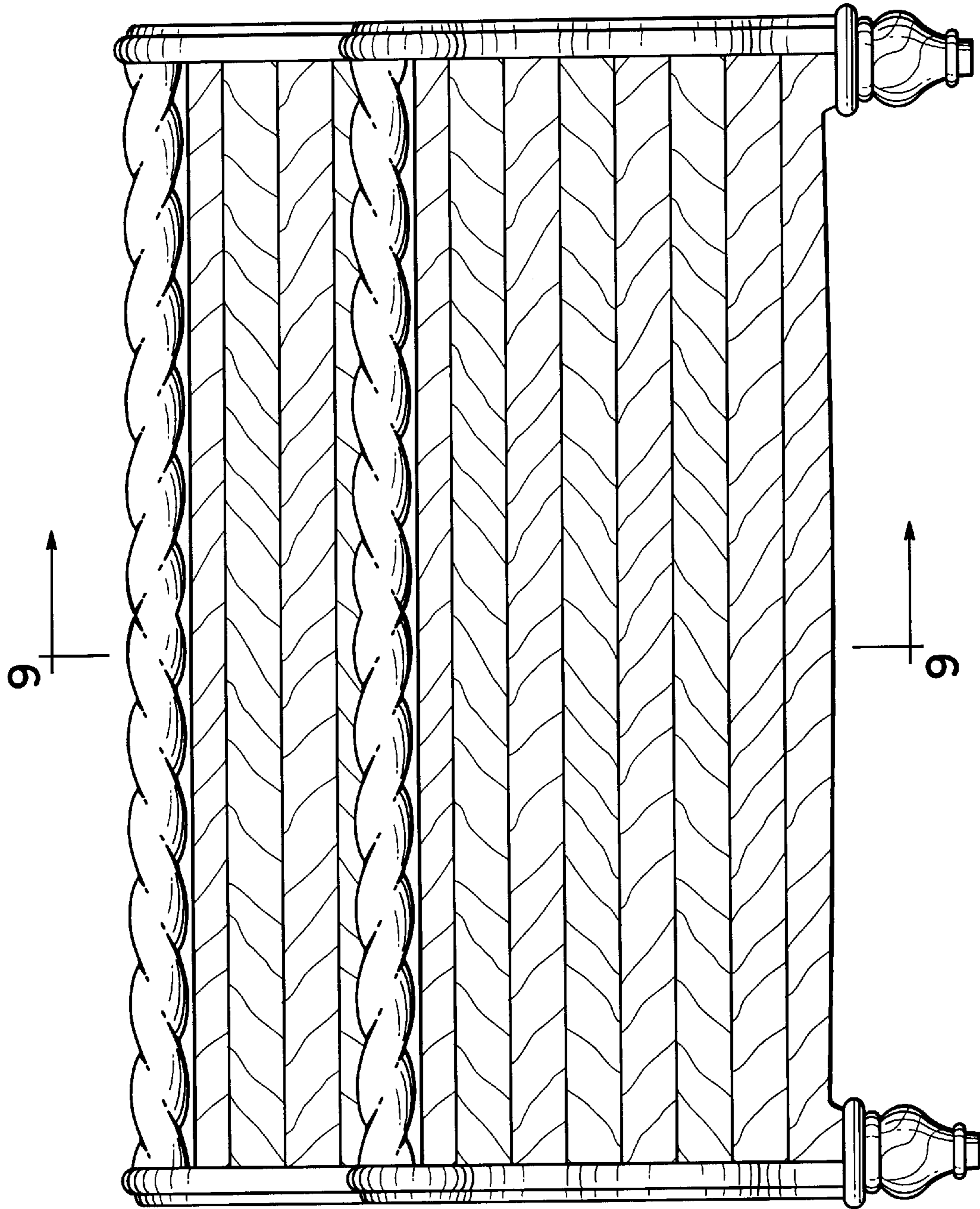


FIG. 1

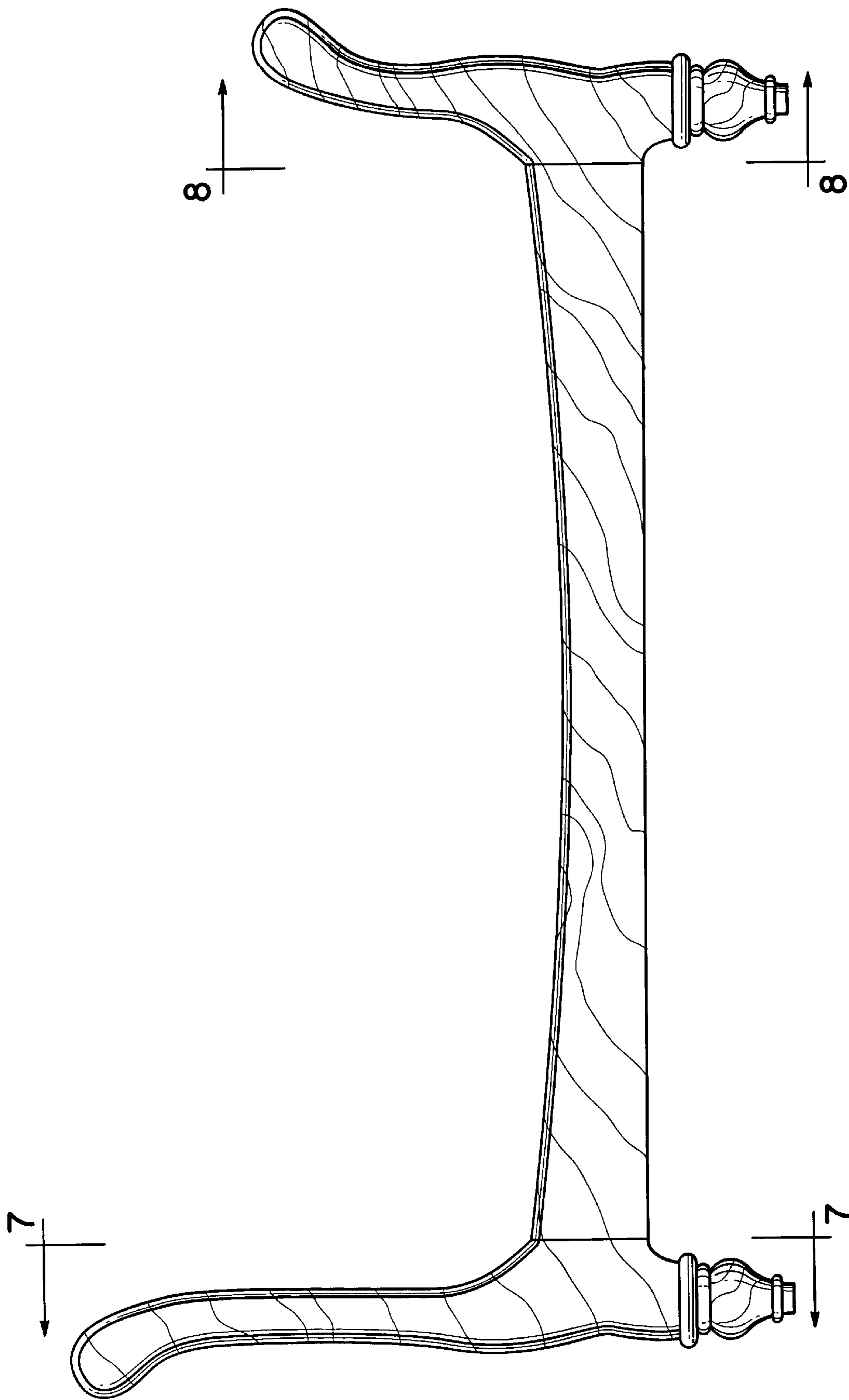


FIG. 2

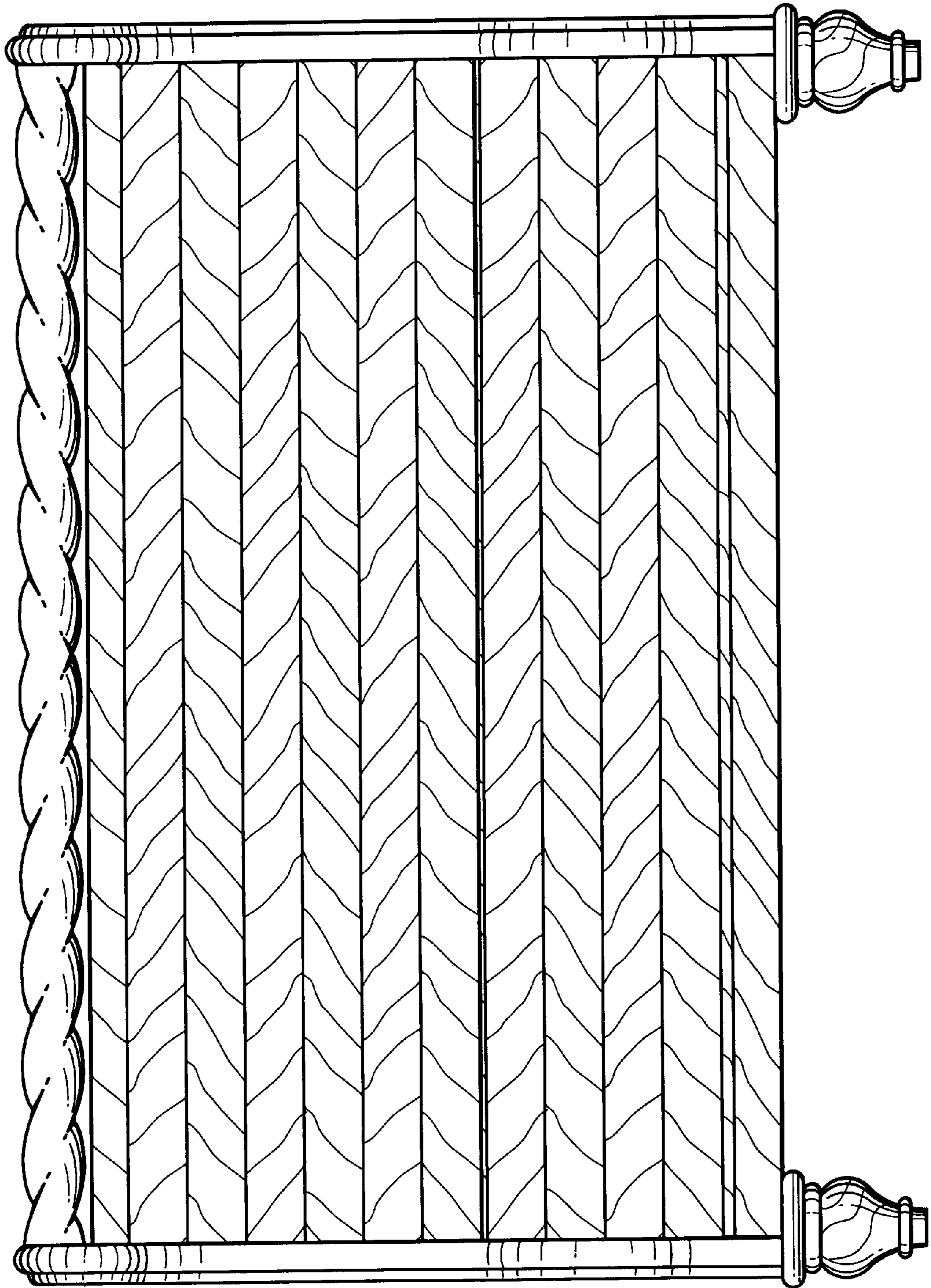


FIG. 3

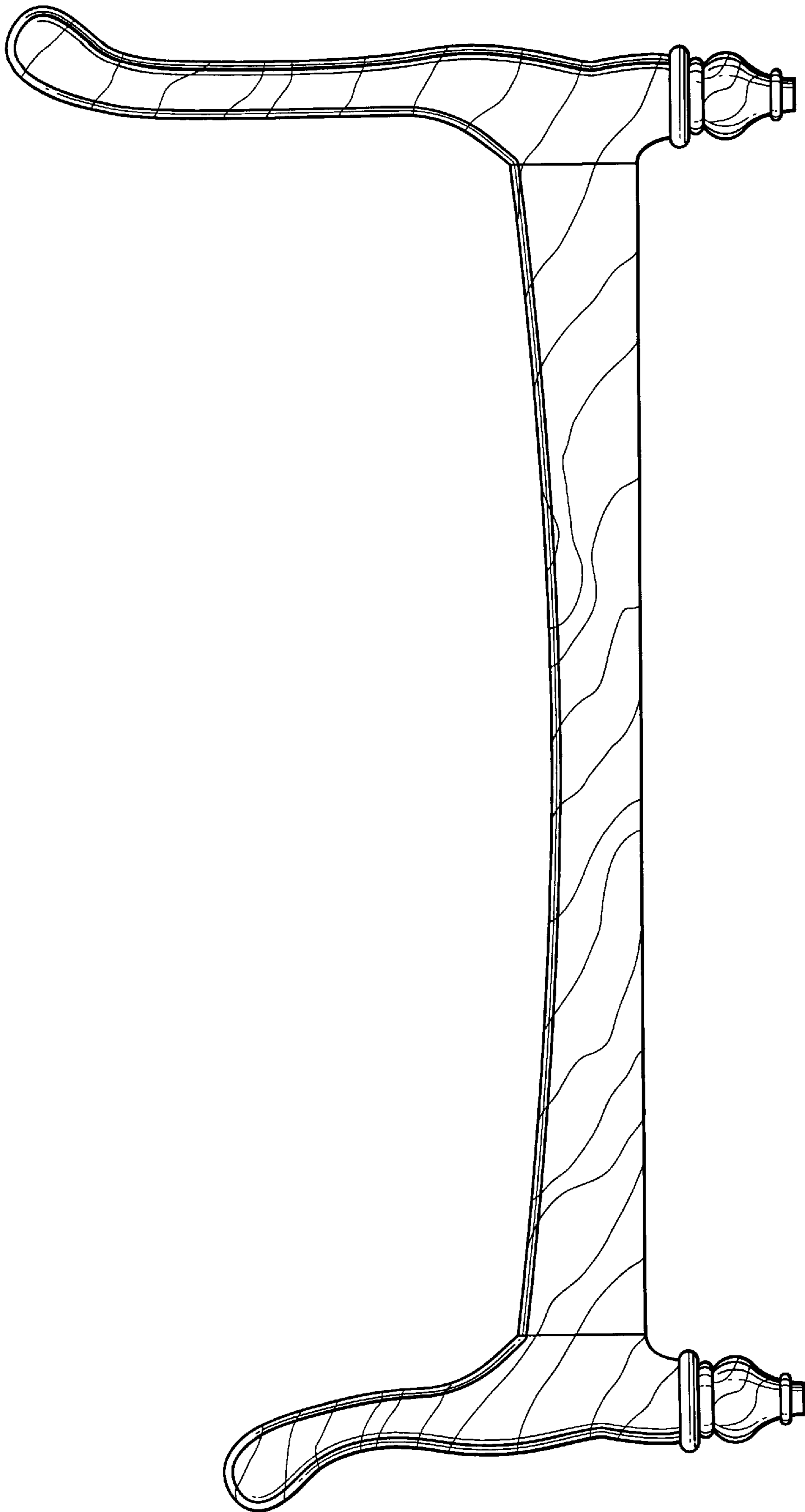


FIG. 4

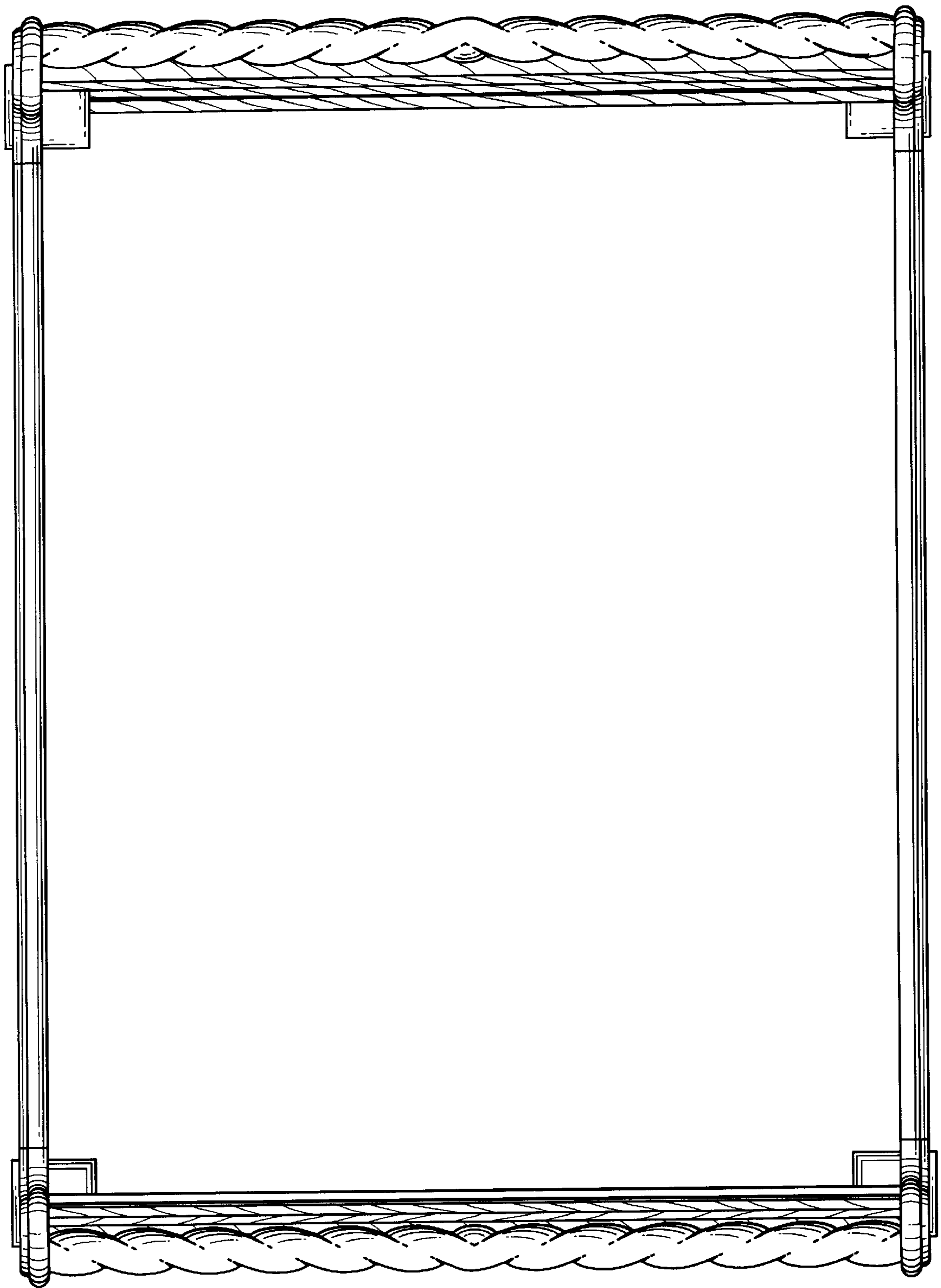


FIG. 5

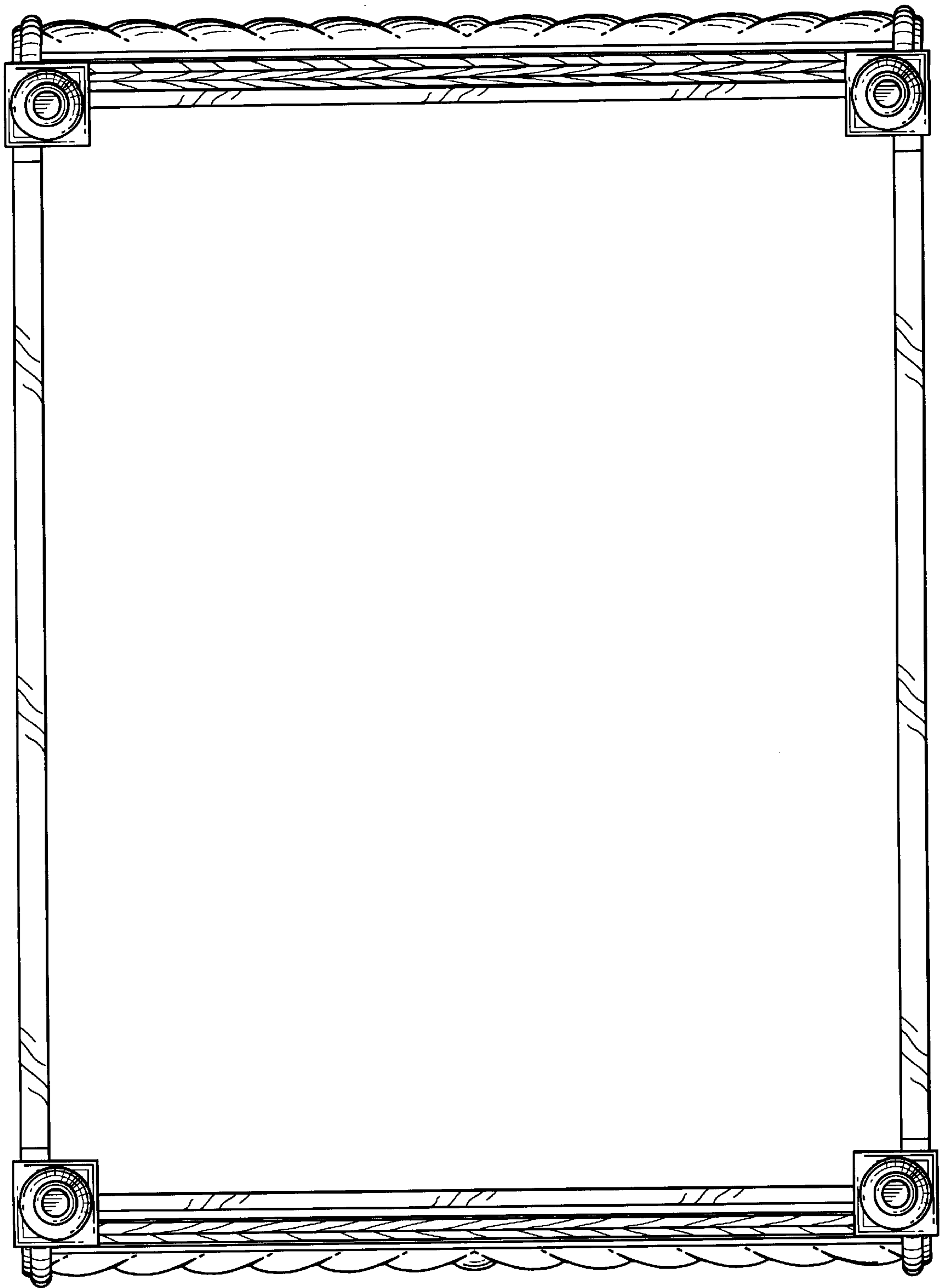


FIG. 6

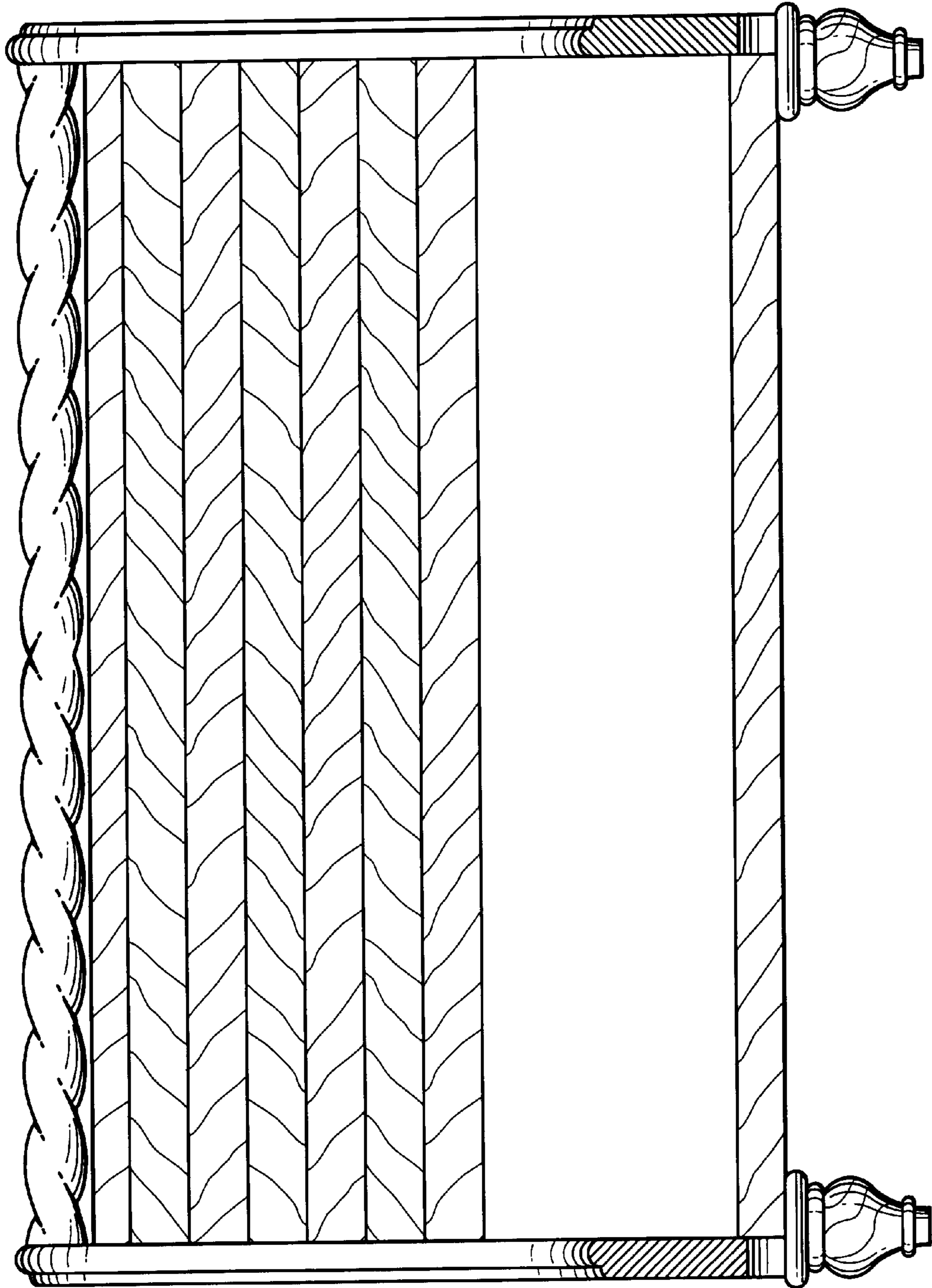


FIG. 7

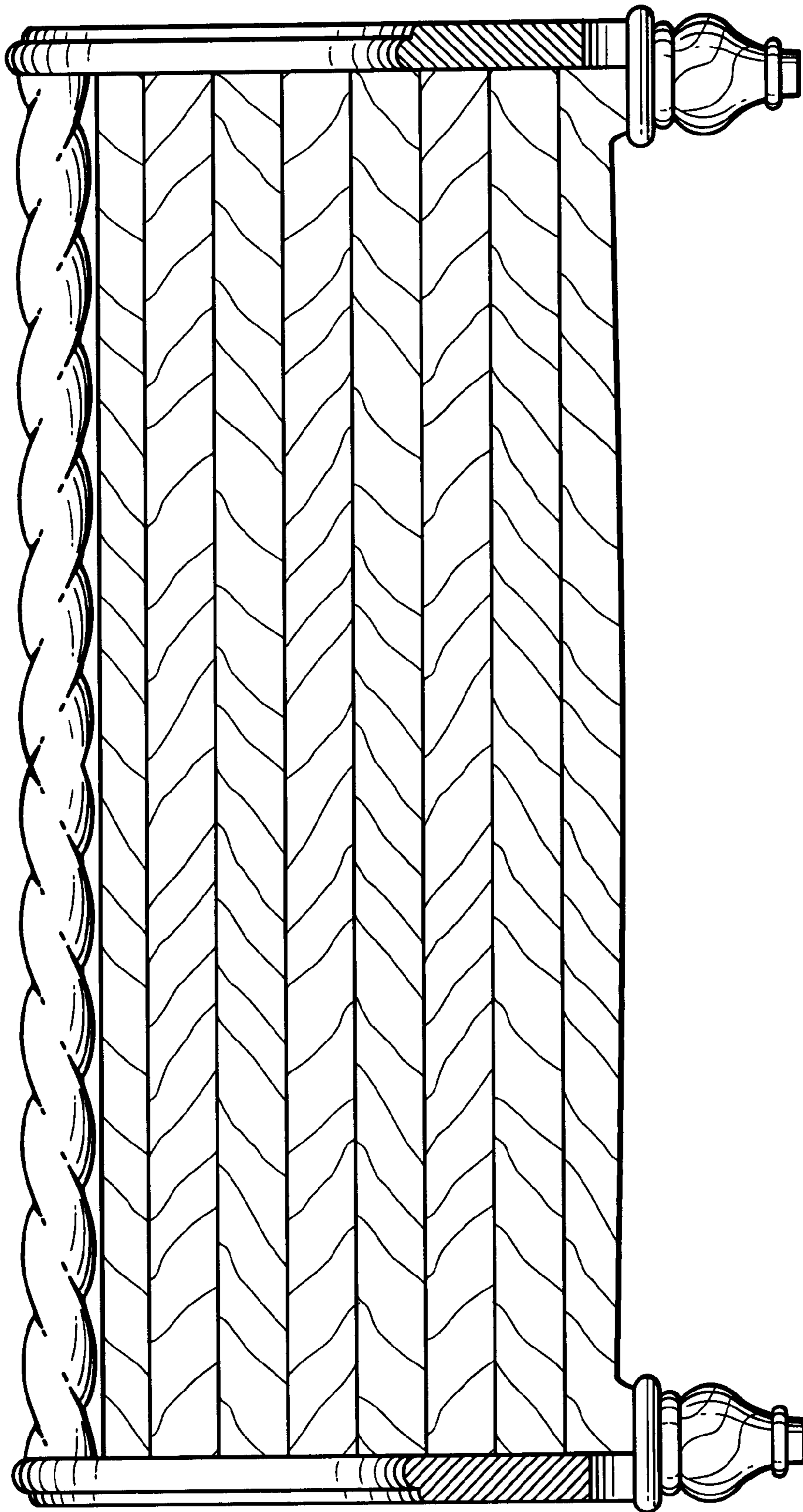


FIG. 8

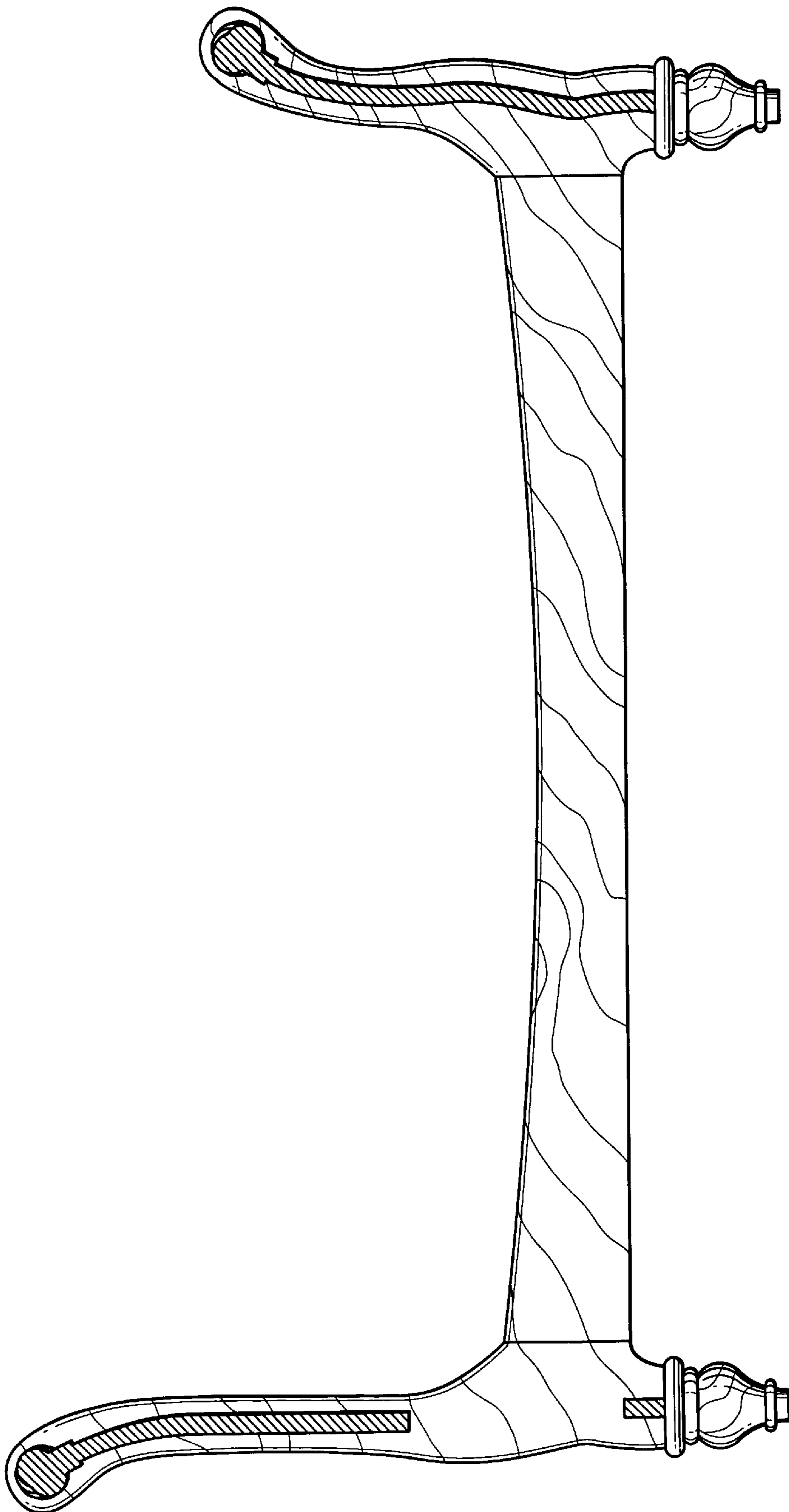


FIG. 9