



US00D463677S

(12) **United States Design Patent**
Liu

(10) **Patent No.:** **US D463,677 S**

(45) **Date of Patent:** **** Oct. 1, 2002**

(54) **CHAIR FRAME**

D442,383 S * 5/2001 Bell D6/375
D442,384 S * 5/2001 Gonsalves D6/375

(76) Inventor: **Lausan Chung-Hsin Liu**, No. 243,
Chien-Kuo Rd., Hsin-Tien City, Taipei
Hsien (TW)

* cited by examiner

(**) Term: **14 Years**

Primary Examiner—Gary D. Watson

(74) *Attorney, Agent, or Firm*—Bacon & Thomas, PLLC

(21) Appl. No.: **29/144,881**

(57) **CLAIM**

(22) Filed: **Jul. 13, 2001**

The ornamental design for a chair frame, as shown and described.

(51) **LOC (7) Cl.** **06-01**

DESCRIPTION

(52) **U.S. Cl.** **D6/379**

(58) **Field of Search** D6/334, 369, 370,
D6/374, 375, 376, 379, 380, 500, 501,
502; 297/445.1, 446.1

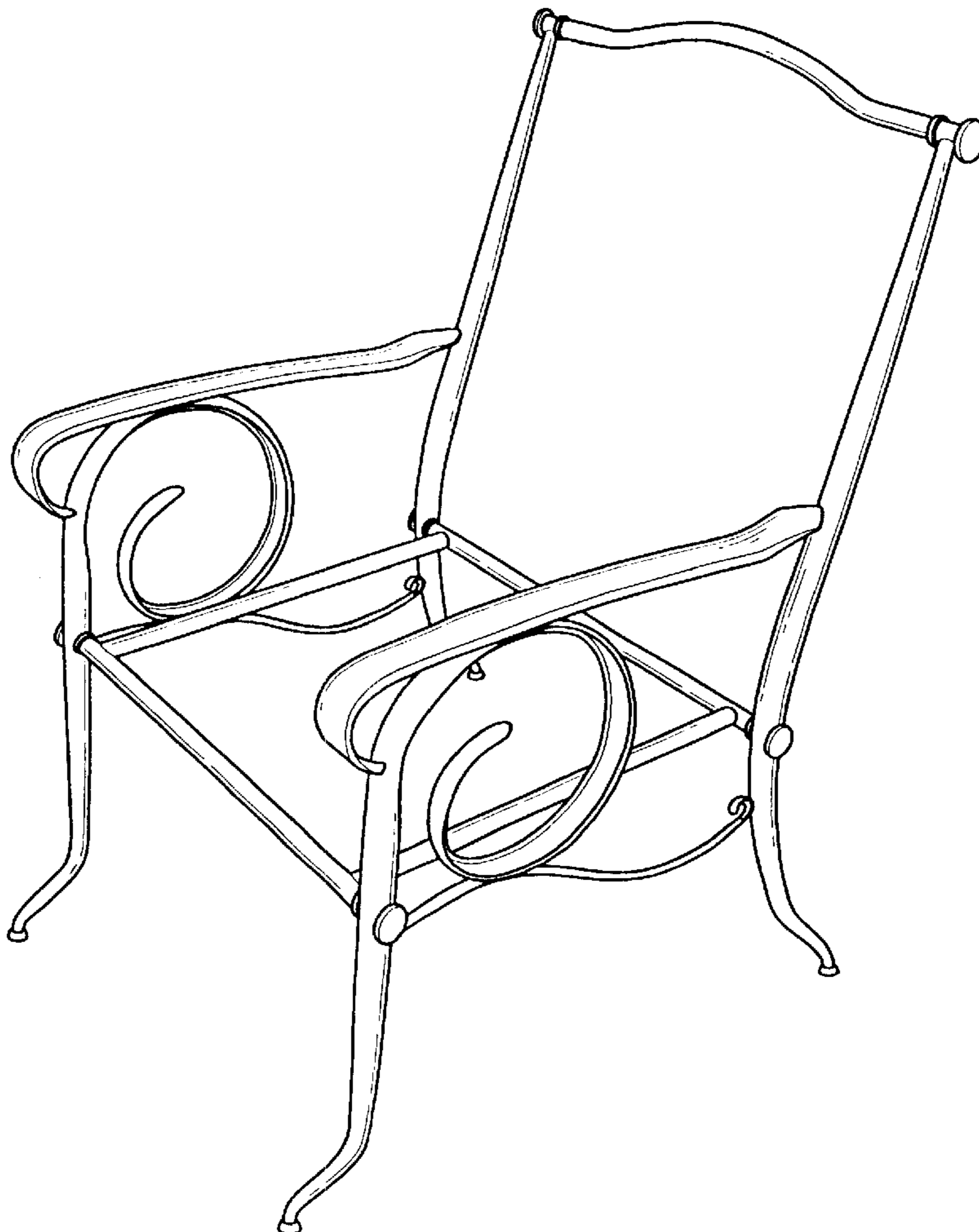
FIG. 1 is a perspective view of a chair frame showing my new design;
FIG. 2 is a right side elevational view thereof;
FIG. 3 is a top plan view thereof;
FIG. 4 is a front side elevational view thereof;
FIG. 5 is a bottom plan view thereof;
FIG. 6 is a left side elevational view thereof; and,
FIG. 7 is a rear side elevational view thereof.

(56) **References Cited**

U.S. PATENT DOCUMENTS

D308,144 S * 5/1990 McCarthy et al. D6/380
D357,138 S * 4/1995 Hess D6/379
D429,424 S * 8/2000 Vanderminden, Sr. D6/375

1 Claim, 7 Drawing Sheets



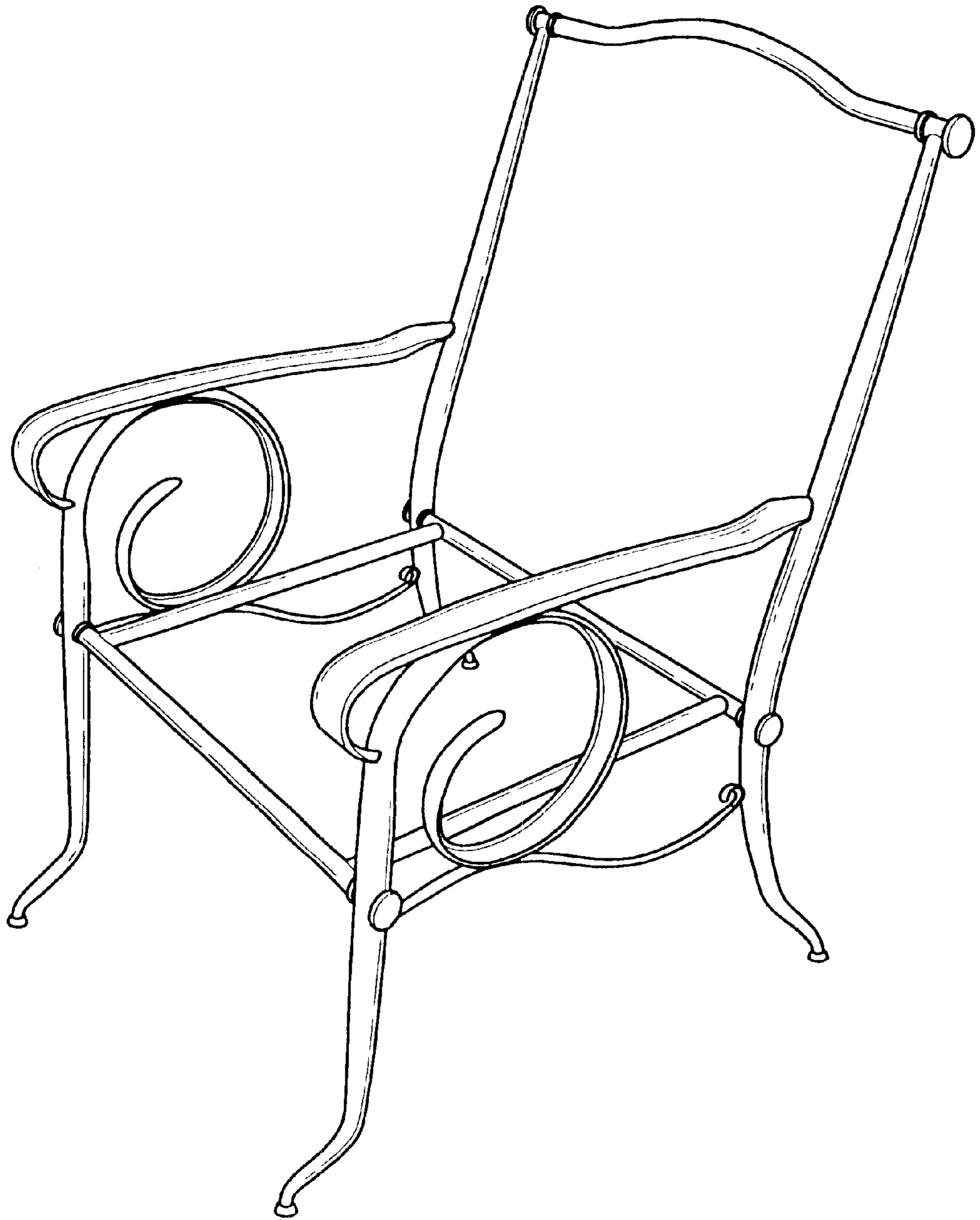


Fig. 1

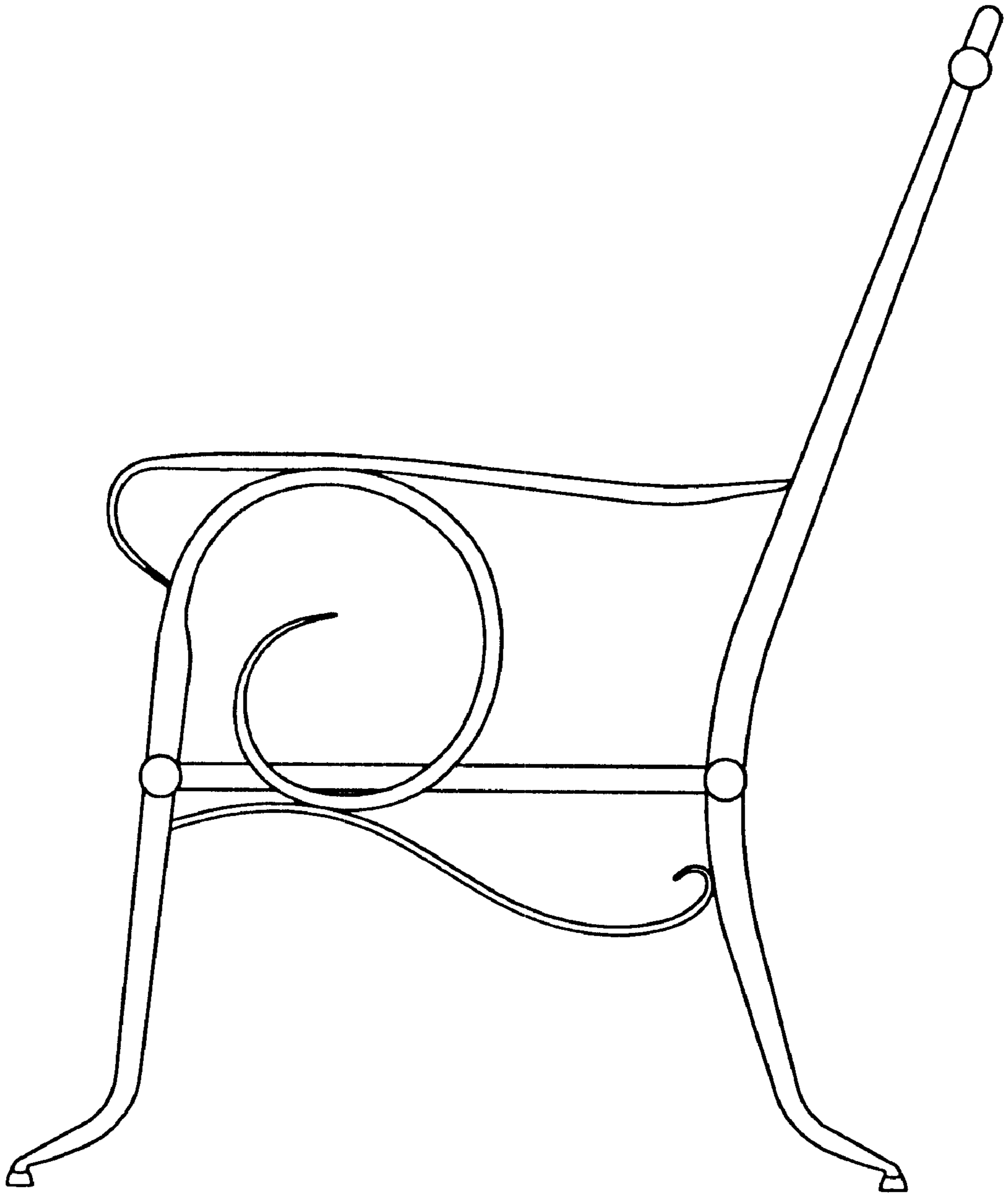


Fig. 2

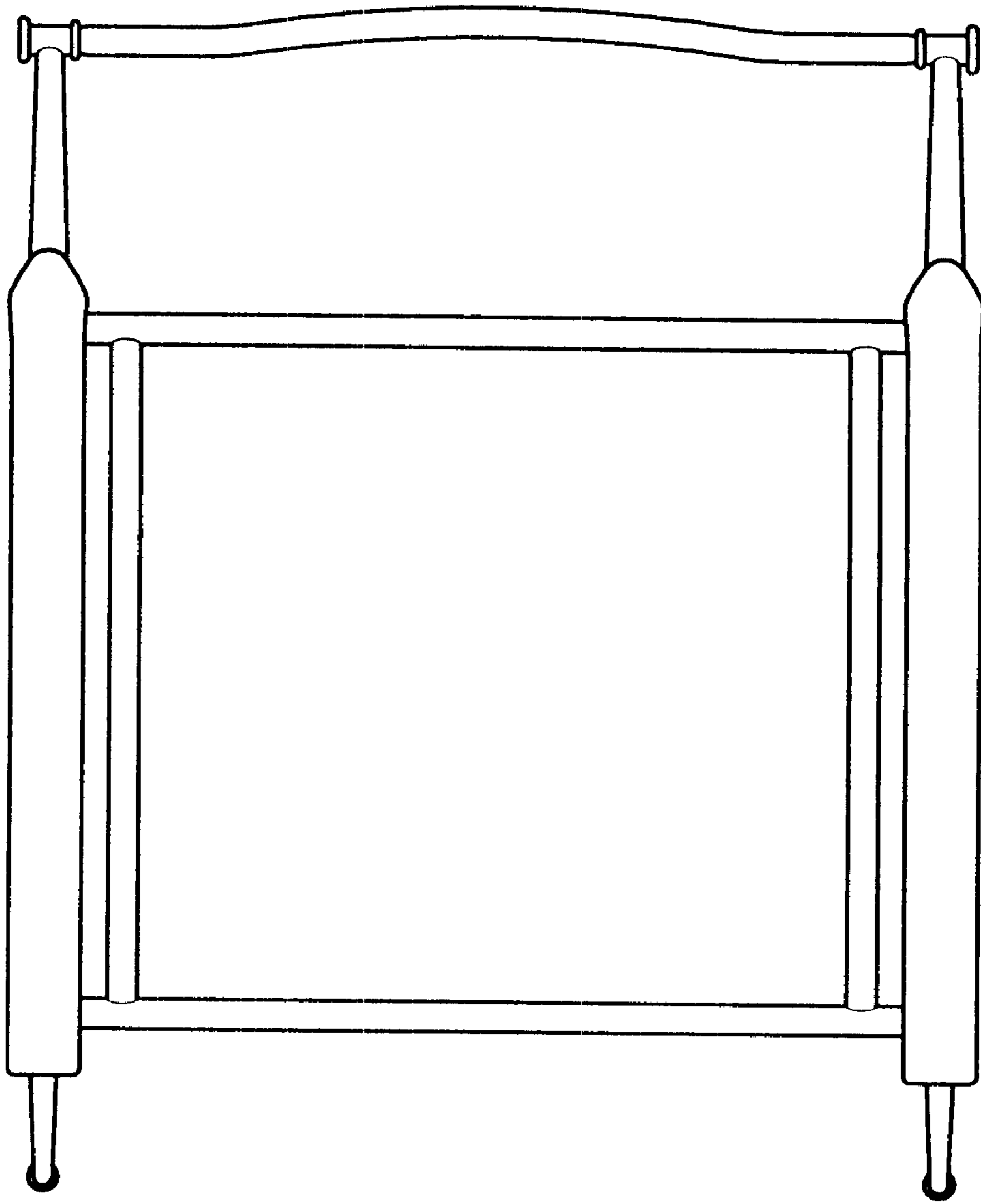


Fig. 3

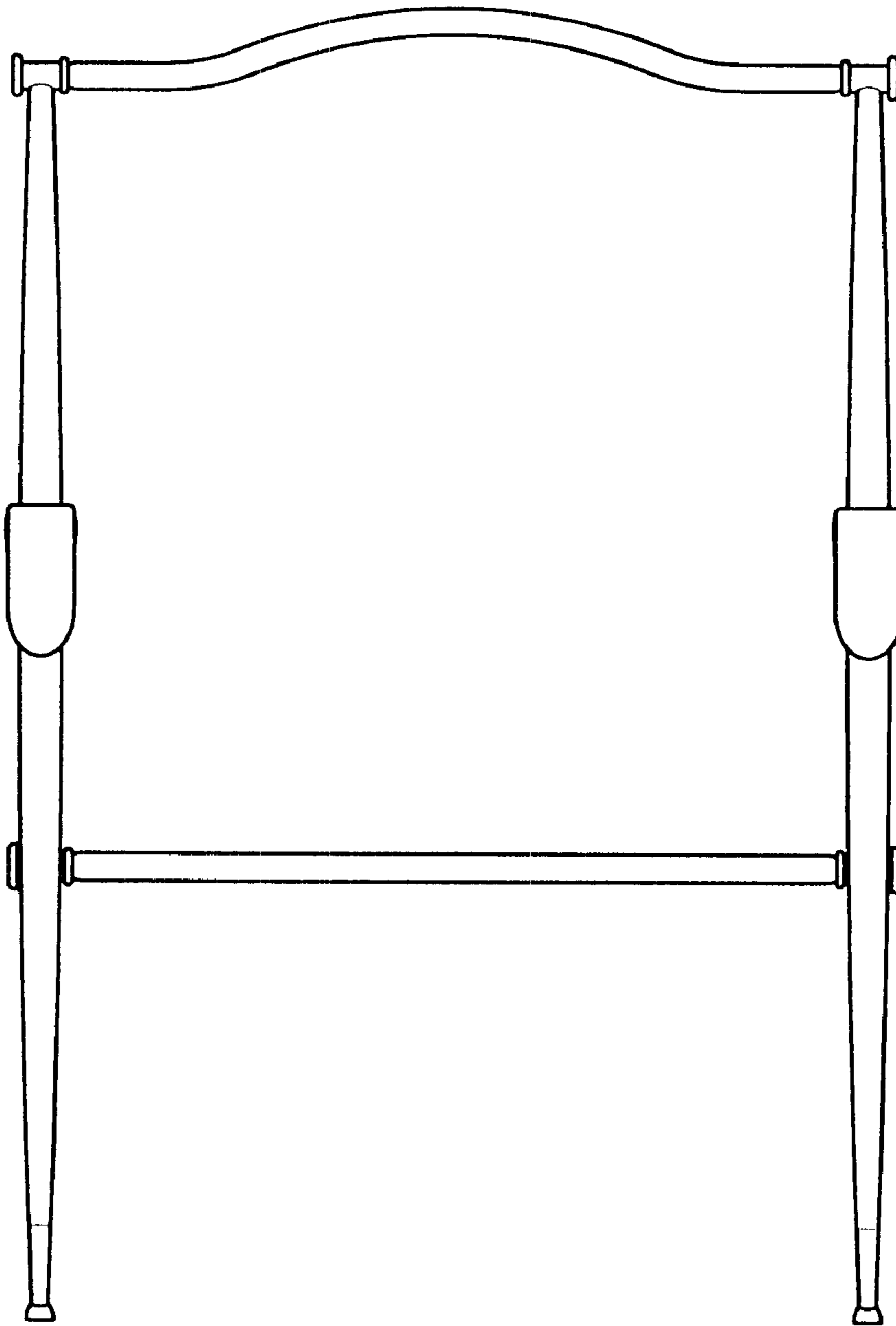


Fig. 4

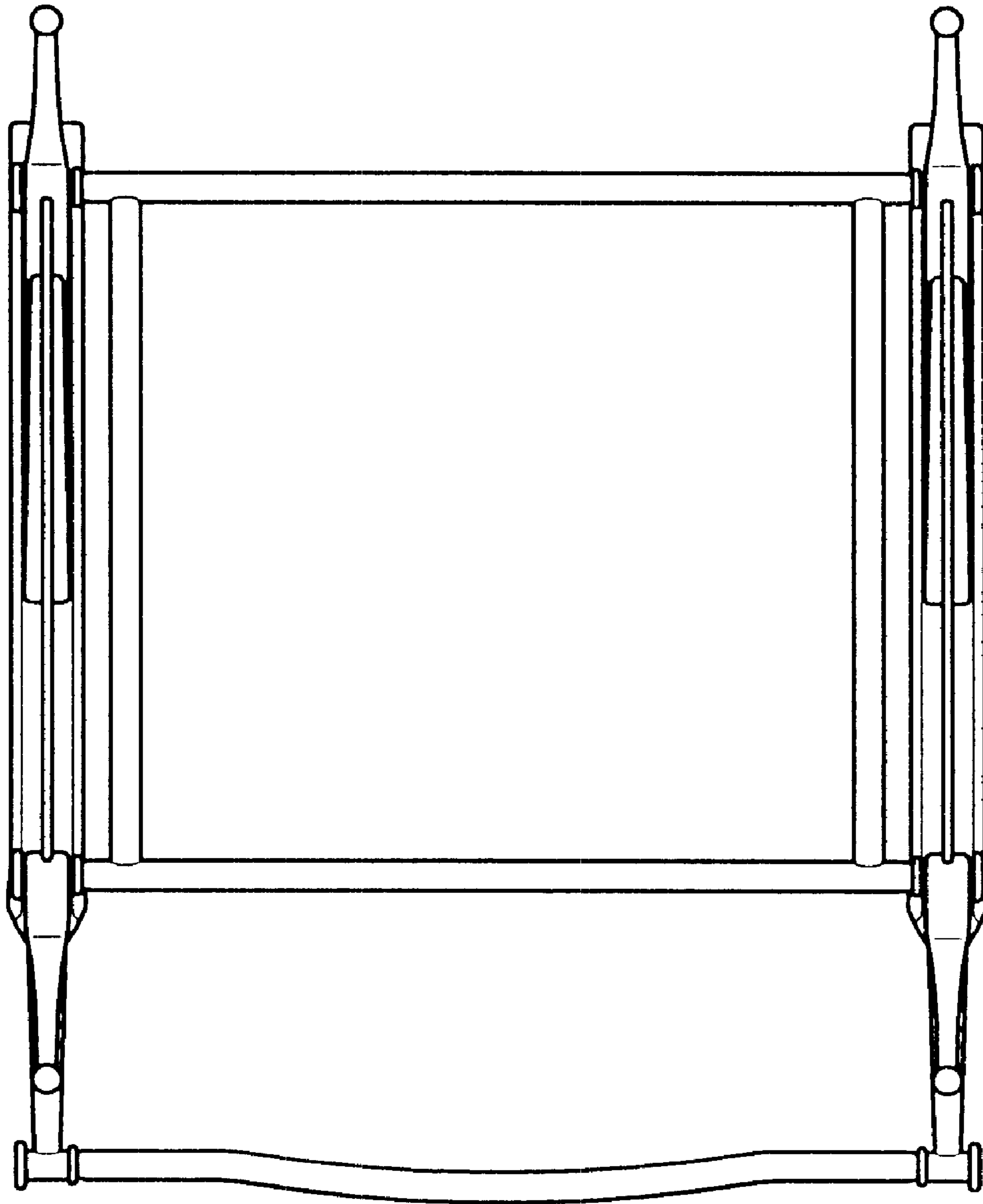


Fig. 5

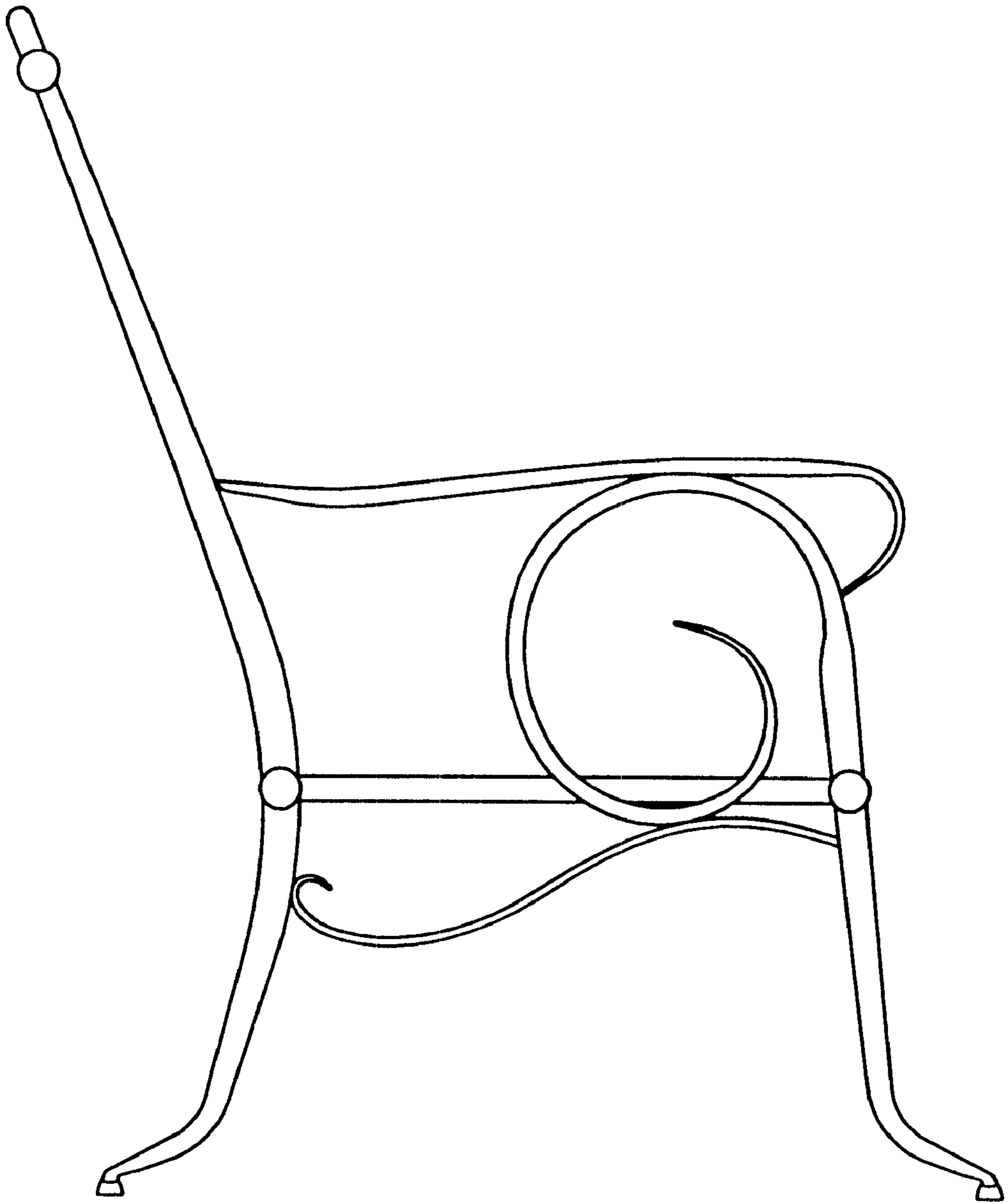


Fig. 6

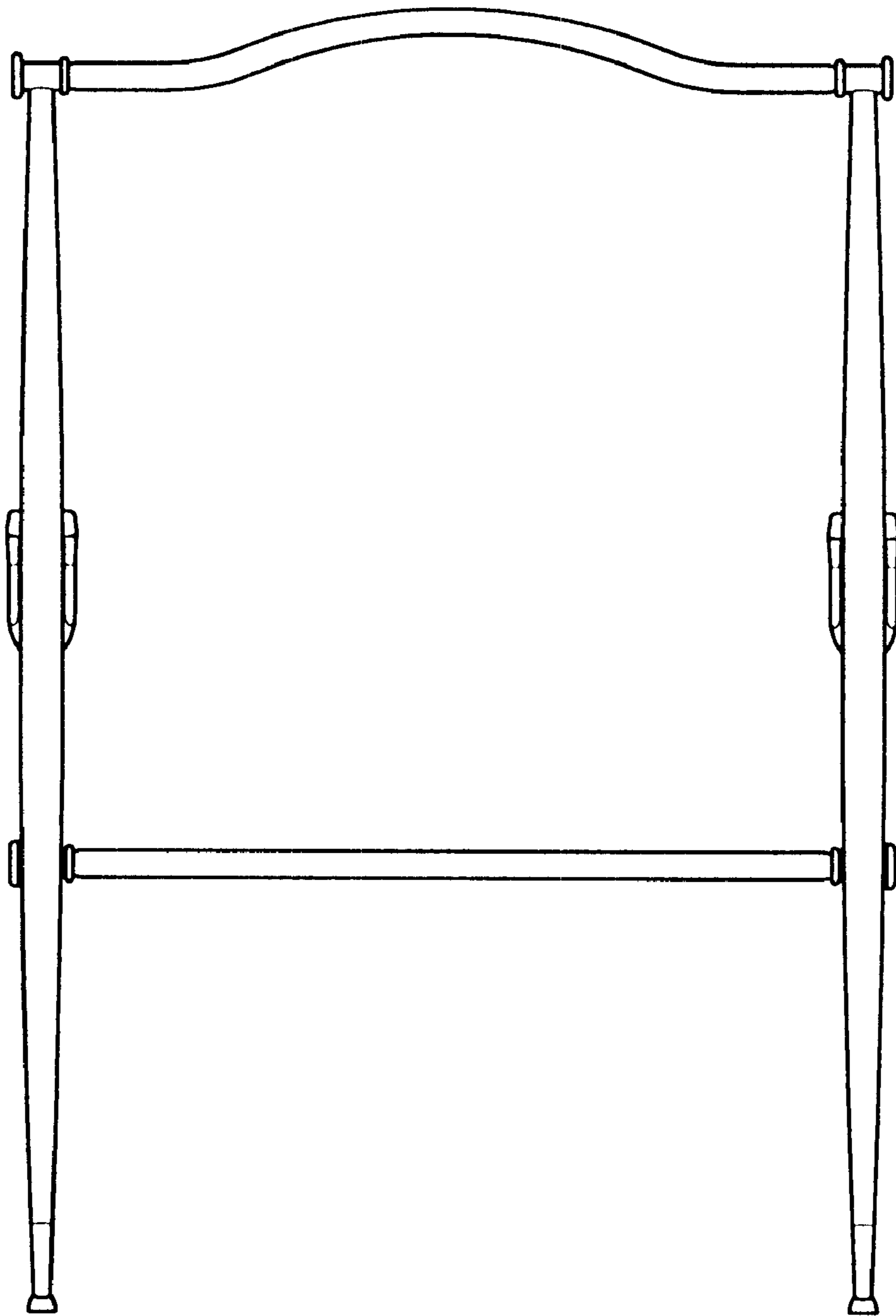


Fig. 7