



US00D463669S

(12) **United States Design Patent**
Chih

(10) **Patent No.:** **US D463,669 S**

(45) **Date of Patent:** **** Oct. 1, 2002**

(54) **CLEANING BRUSH**

(76) **Inventor:** **Gordon Chih**, No. 33, Tien-Yang Lane,
Chao-An Li, Lu-Kang Chen, Changhua
Hsien (TW)

(**) **Term:** **14 Years**

(21) **Appl. No.:** **29/142,328**

(22) **Filed:** **May 24, 2001**

(51) **LOC (7) Cl.** **04-01**

(52) **U.S. Cl.** **D4/115**

(58) **Field of Search** D4/114, 115, 132,
D4/199; 15/171, 176.1, 176.2, 29; 401/42,
268, 270, 281, 286, 287, 289

(56) **References Cited**

U.S. PATENT DOCUMENTS

| | | | | | | | |
|-----------|----|---|--------|---------------|-------|---------|---|
| 3,047,902 | A | * | 8/1962 | Laitner | | 401/289 | X |
| 3,782,837 | A | * | 1/1974 | Feldmann | | 401/281 | |
| D290,909 | S | * | 7/1987 | Clivio et al. | | D4/115 | |
| 5,452,961 | A | * | 9/1995 | Lu | | 401/42 | |
| 6,336,764 | B1 | * | 1/2002 | Liu | | 401/289 | |

* cited by examiner

Primary Examiner—Alan P. Douglas

Assistant Examiner—Lavone Tabor

(74) *Attorney, Agent, or Firm*—Troxell Law Office PLLC

(57) **CLAIM**

The ornamental design for a cleaning brush, as shown and described.

DESCRIPTION

FIG. 1 is a perspective view of a cleaning brush showing my design;

FIG. 2 is a front view thereof;

FIG. 3 is a rear view thereof;

FIG. 4 is a right side view thereof;

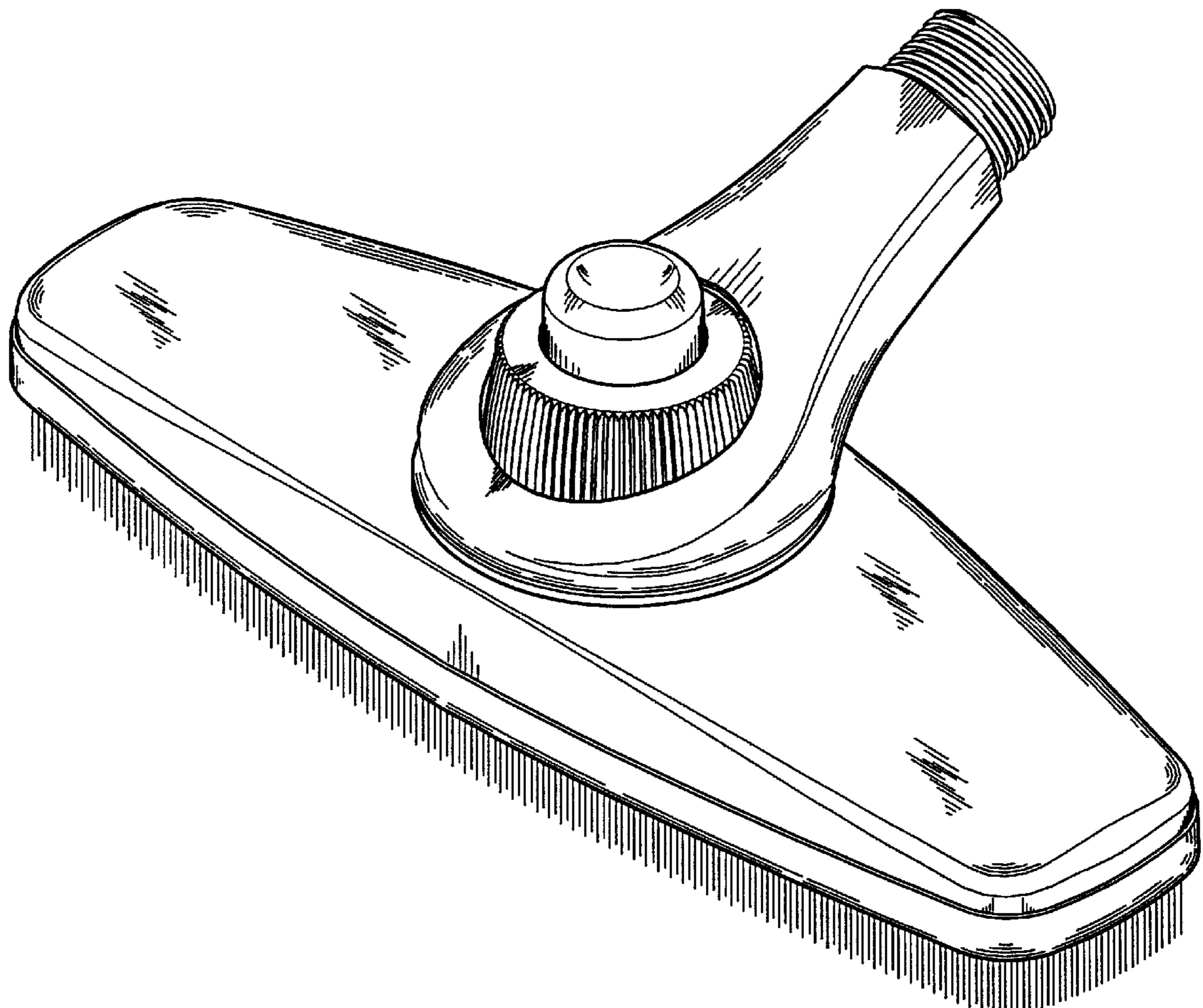
FIG. 5 is a left side view thereof;

FIG. 6 is a top view thereof; and,

FIG. 7 is a bottom view thereof.

The bristles are partially shown in some of the views for ease of illustration.

1 Claim, 6 Drawing Sheets



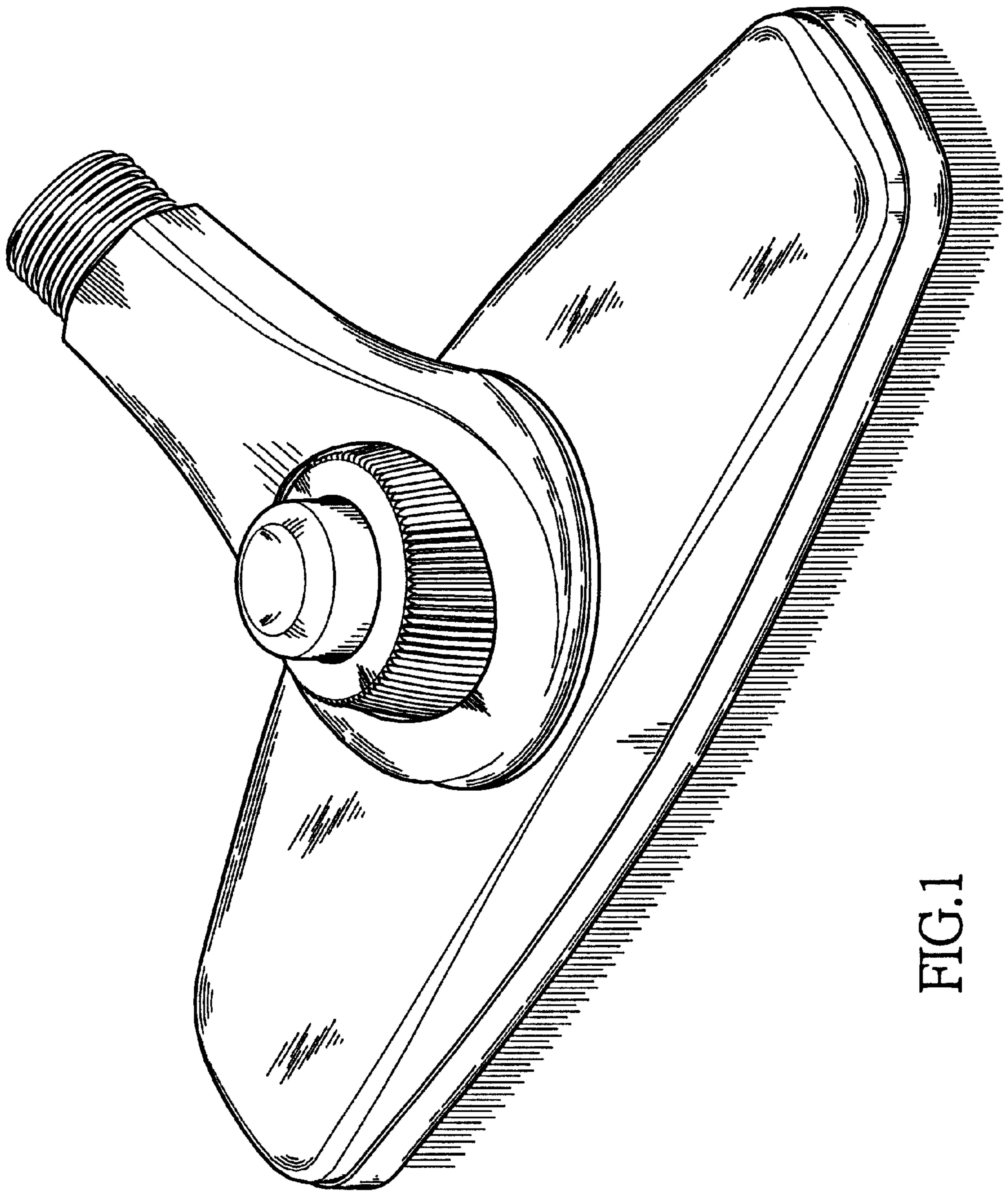


FIG.1

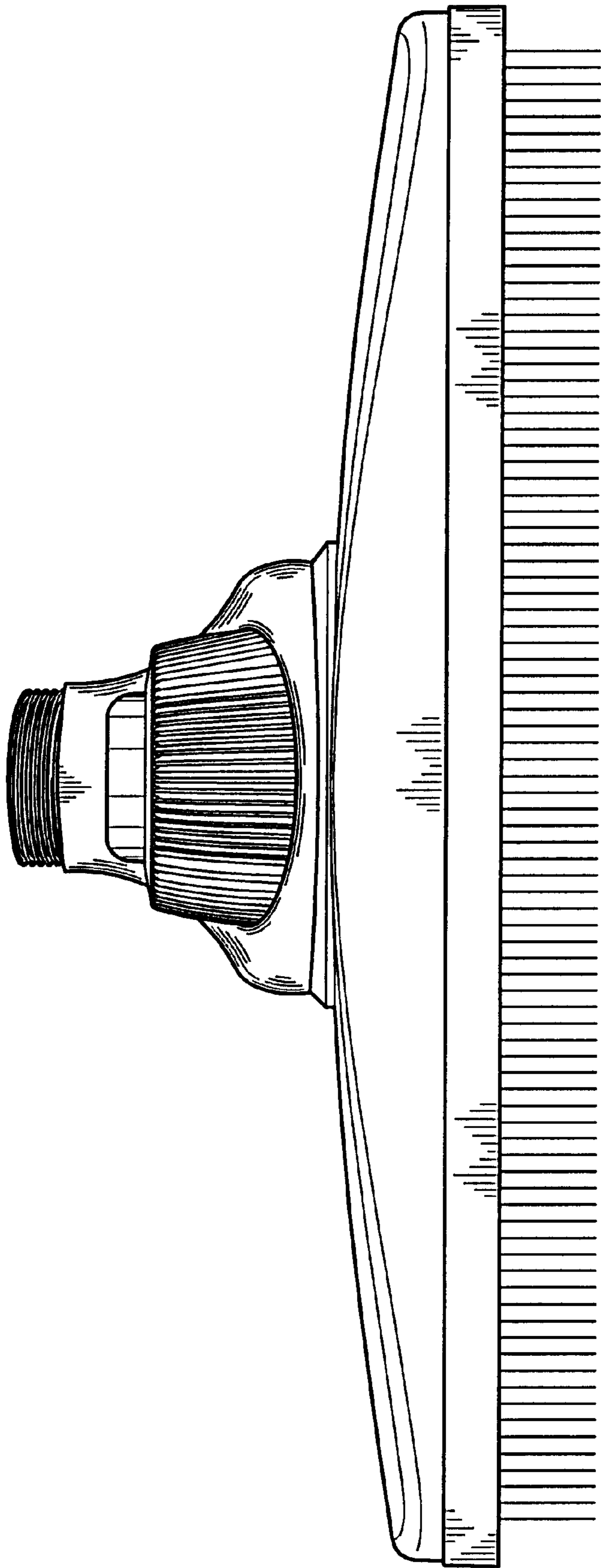


FIG. 2

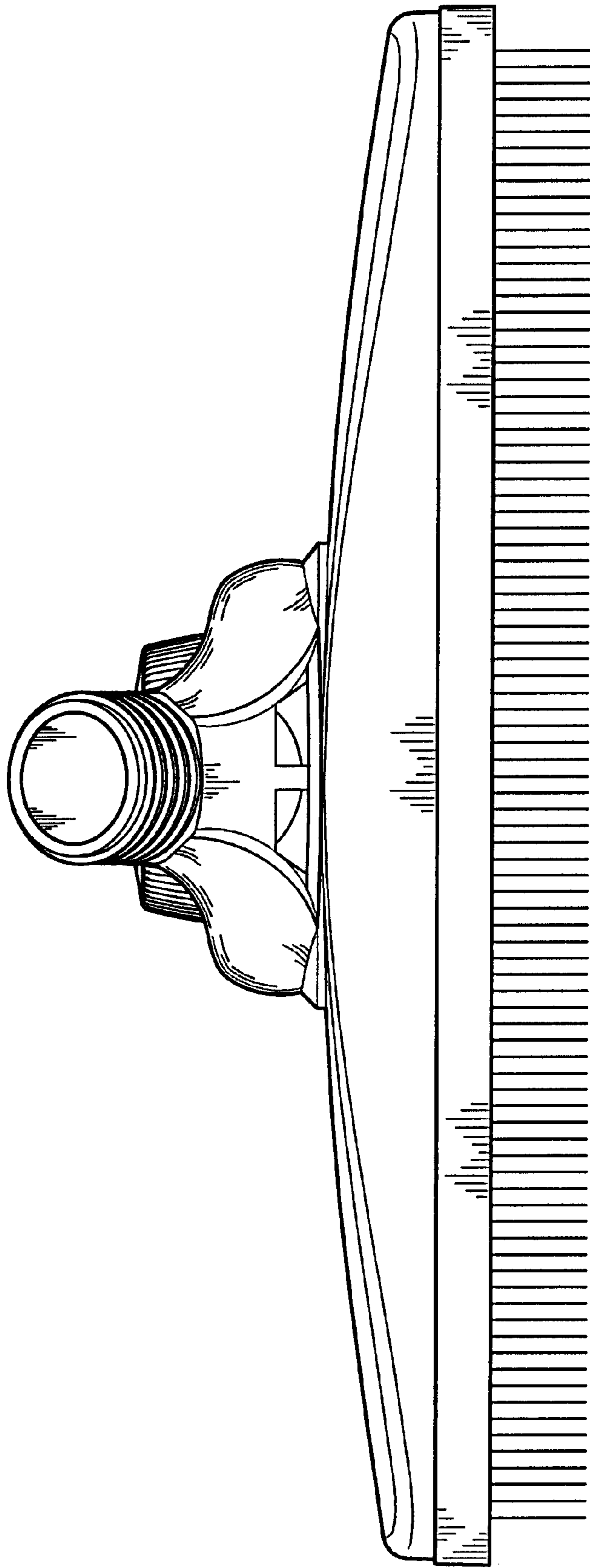


FIG.3

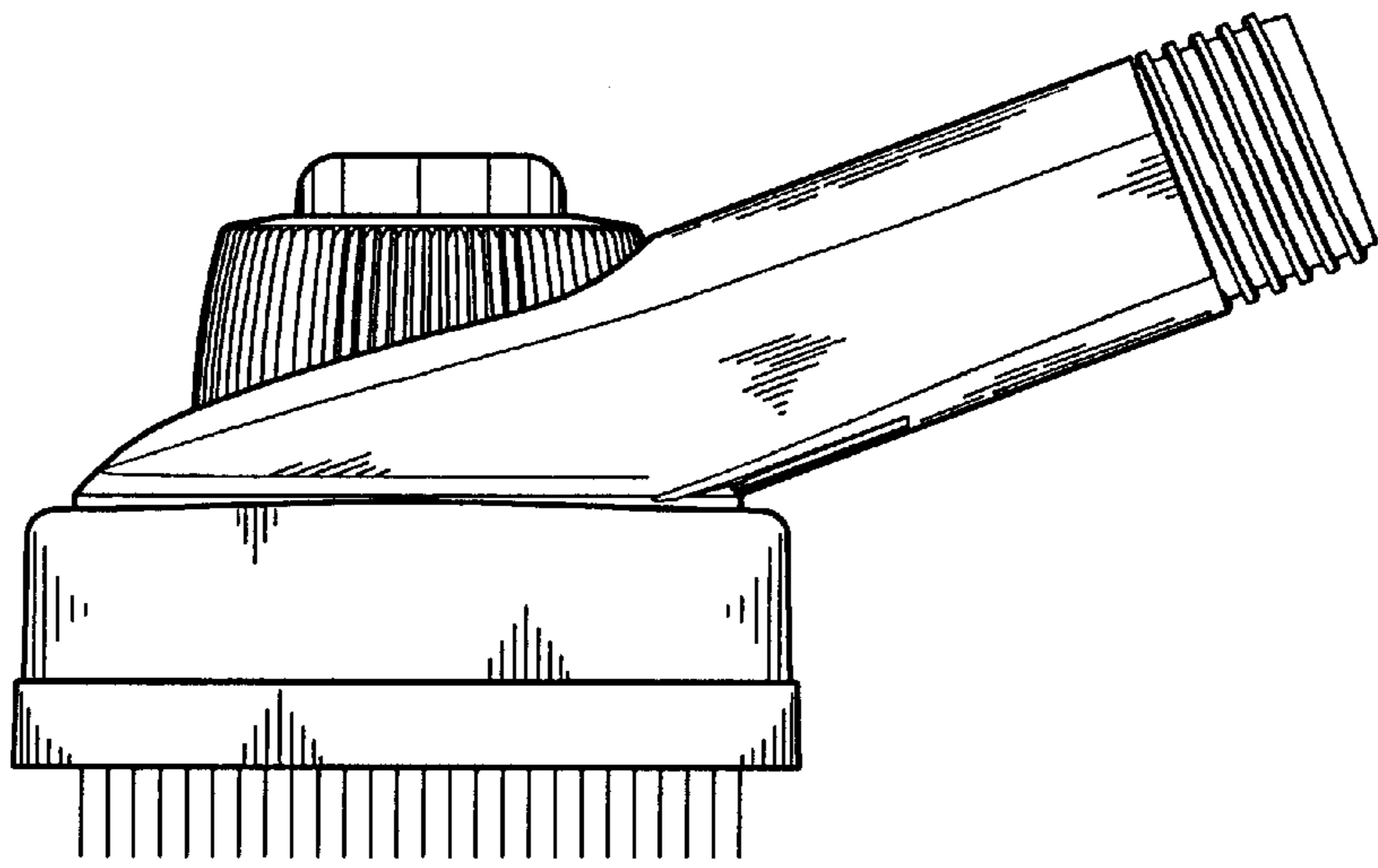


FIG.4

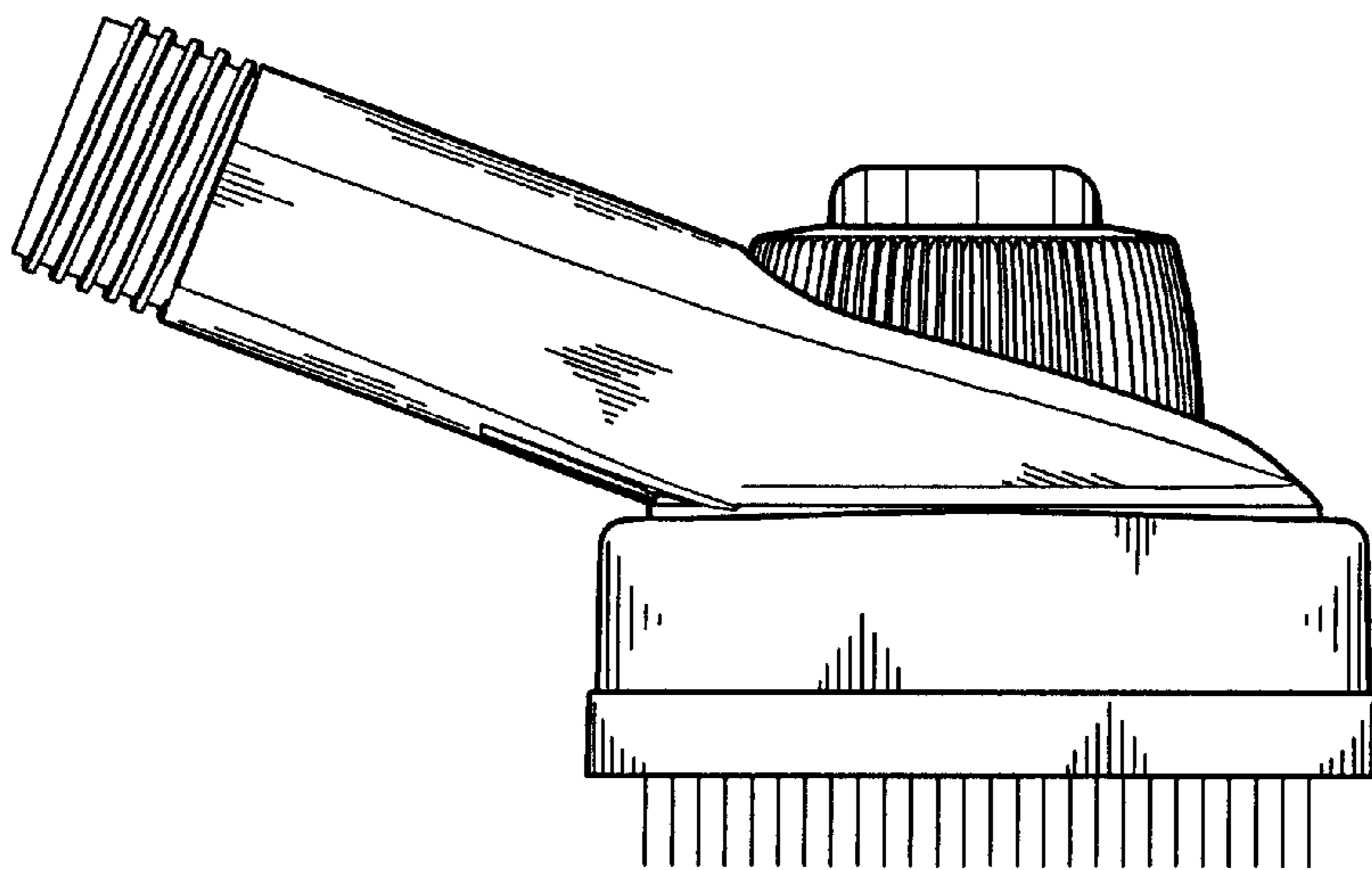


FIG.5

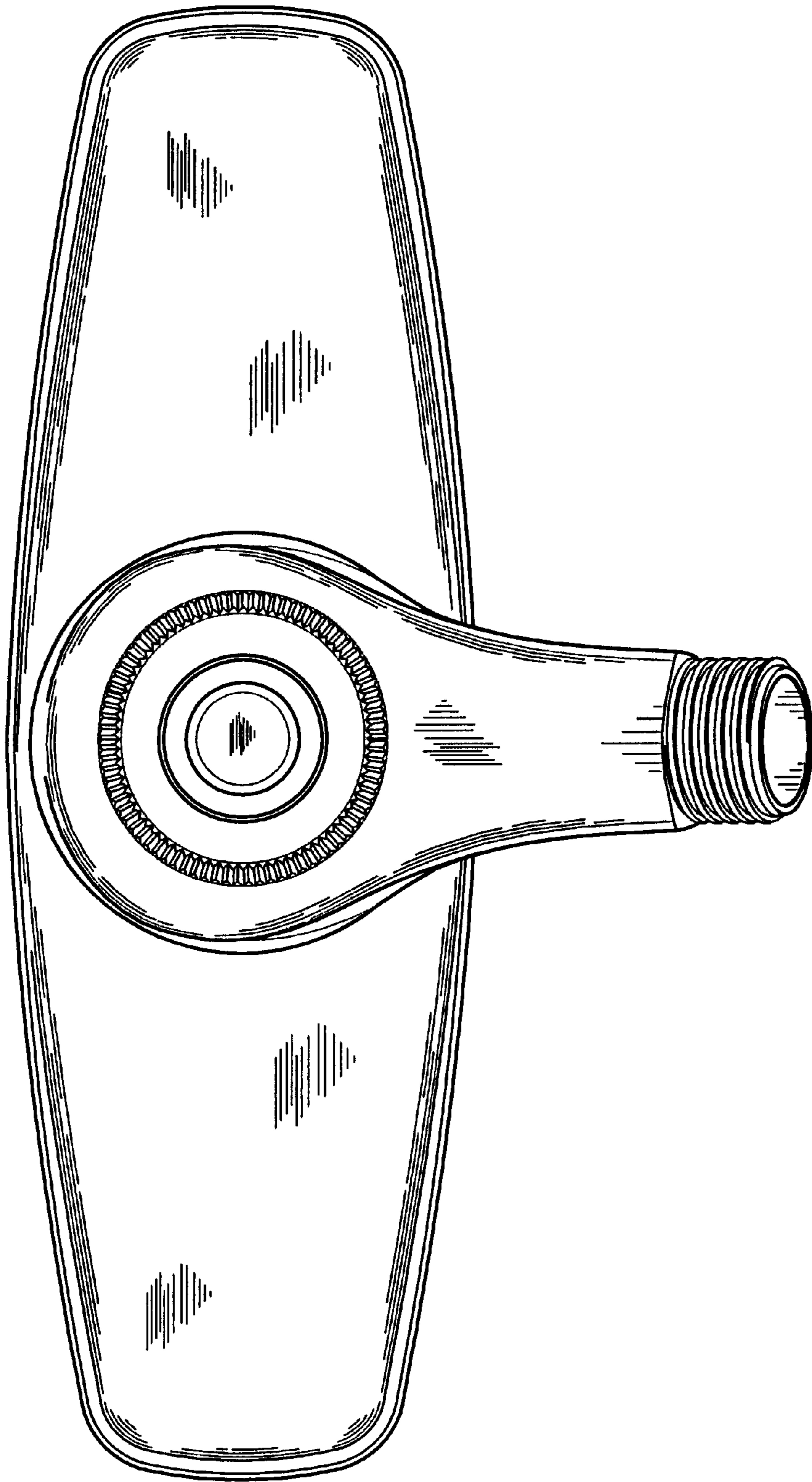


FIG.6

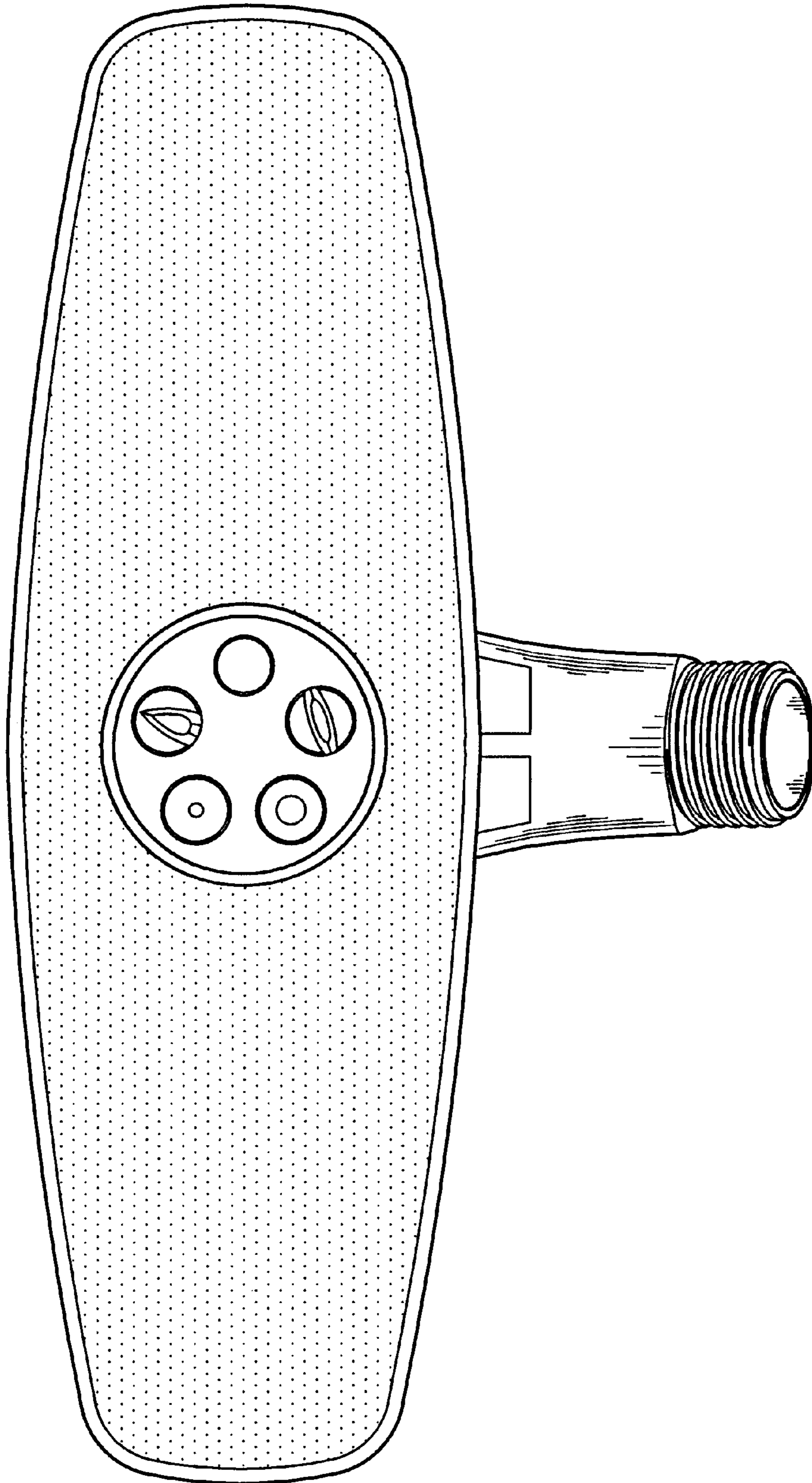


FIG.7