



US00D463666S

(12) **United States Design Patent** (10) **Patent No.:** **US D463,666 S**
Williamson et al. (45) **Date of Patent:** **** Oct. 1, 2002**

(54) **WOODEN BASKET**

1,917,903 A * 7/1933 Sargent 217/122
D415,897 S * 11/1999 Lacy et al. D3/277

(75) Inventors: **Jerry Williamson**, Coshocton, OH (US); **Todd Miller**, Nashport, OH (US); **Harold Angles**, Dresden, OH (US); **Sun Lacy**, Newark, OH (US); **Leane M. Lefever**, Frazzysburg, OH (US)

* cited by examiner

Primary Examiner—Louis S. Zarfes
Assistant Examiner—Deanne Levy
(74) *Attorney, Agent, or Firm*—Porter Wright Morris & Arthur LLP

(73) Assignee: **The Longaberger Company**, Newark, OH (US)

(57) **CLAIM**

(**) Term: **14 Years**

The ornamental design for wooden basket, as shown and described.

(21) Appl. No.: **29/138,718**

DESCRIPTION

(22) Filed: **Mar. 19, 2001**

Related U.S. Application Data

FIG. 1 is a perspective view of the wooden basket showing our new design;
FIG. 2 is a front view thereof;
FIG. 3 is a left side view thereof;
FIG. 4 is a rear view thereof;
FIG. 5 is a right side view thereof;
FIG. 6 is a top view thereof;
FIG. 7 is a bottom view thereof; and,
FIG. 8 is a perspective view of another embodiment of our design having an appearance identical to that of the first embodiment except for the presence of the indication of color contrast.

(63) Continuation-in-part of application No. 29/110,848, filed on Sep. 14, 1999, now Pat. No. Des. 447,637.

(51) **LOC (7) Cl.** **03-01**

(52) **U.S. Cl.** **D3/306**

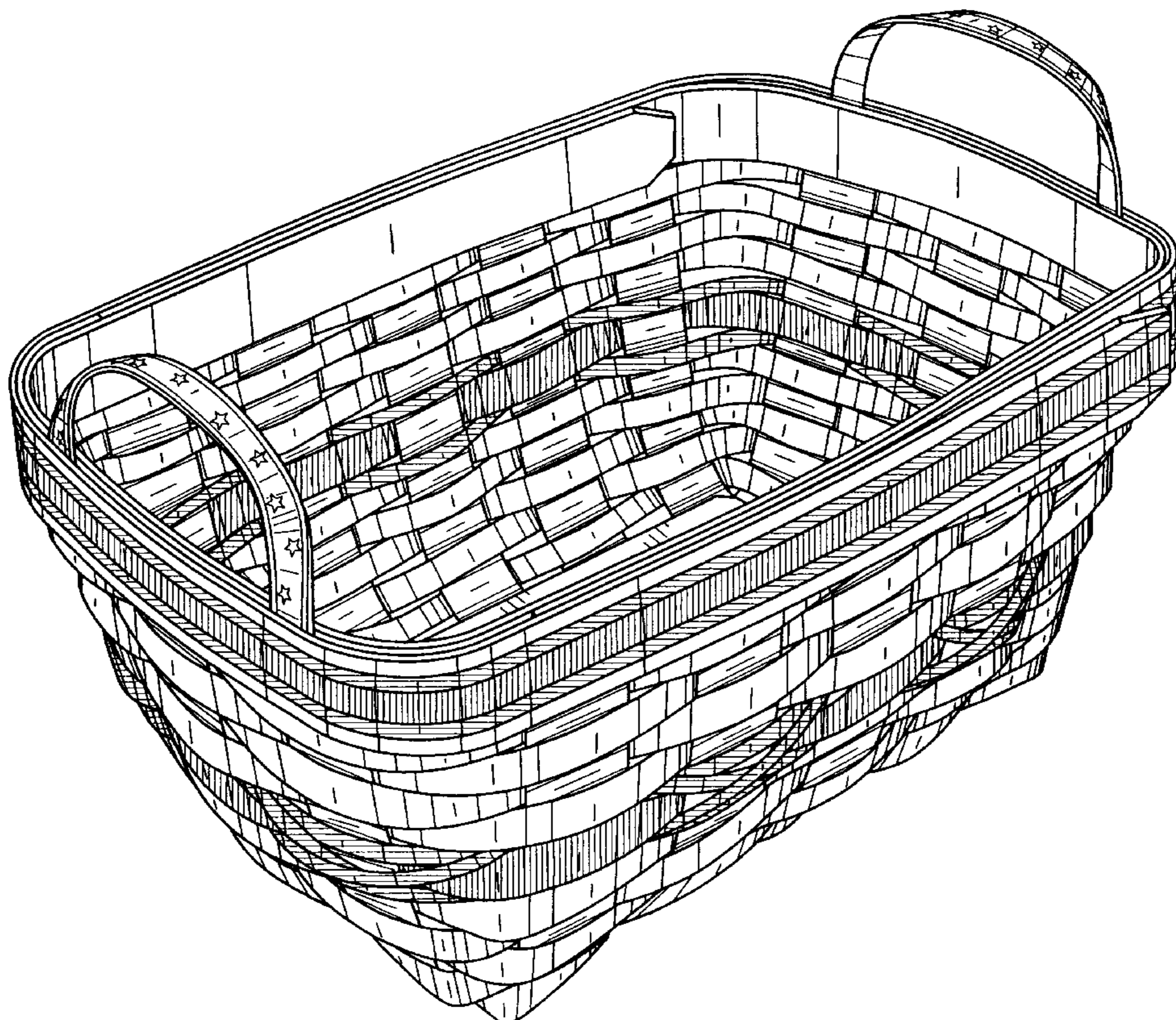
(58) **Field of Search** D3/304, 306-309, D3/277, 312; 220/676; 217/122, 125

(56) **References Cited**

U.S. PATENT DOCUMENTS

1,617,055 A * 2/1927 Jones 217/122

1 Claim, 8 Drawing Sheets



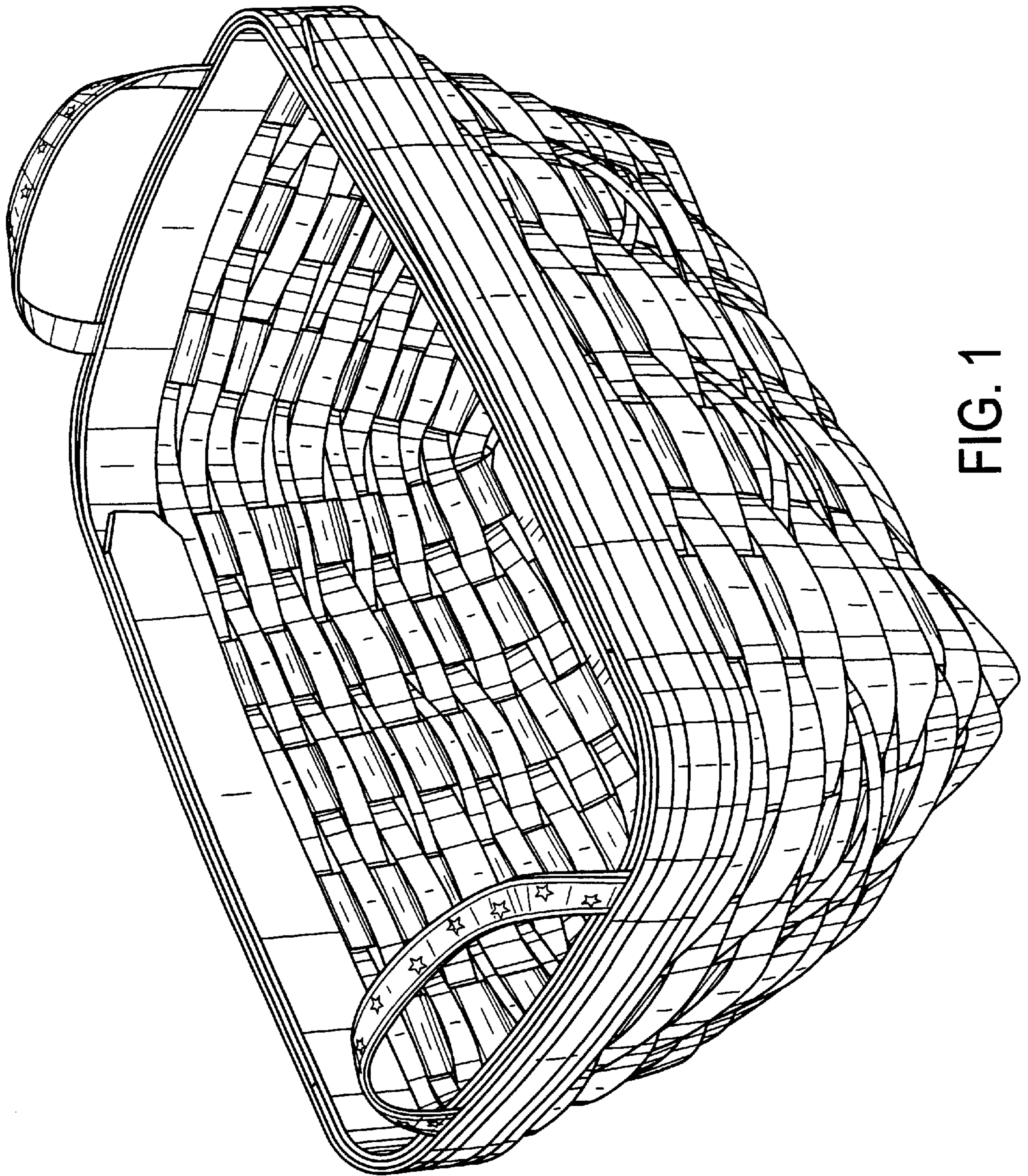


FIG. 1

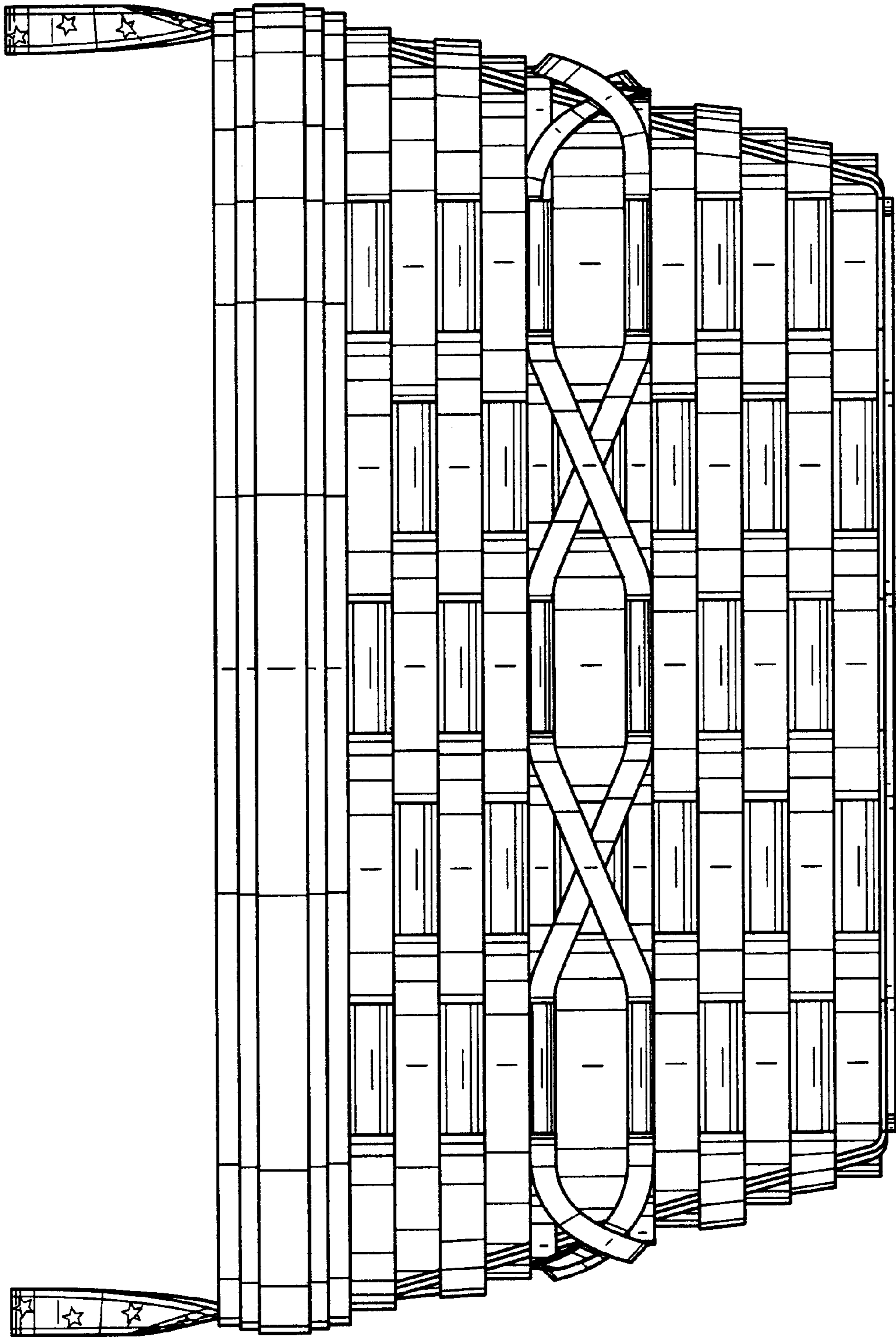


FIG. 2

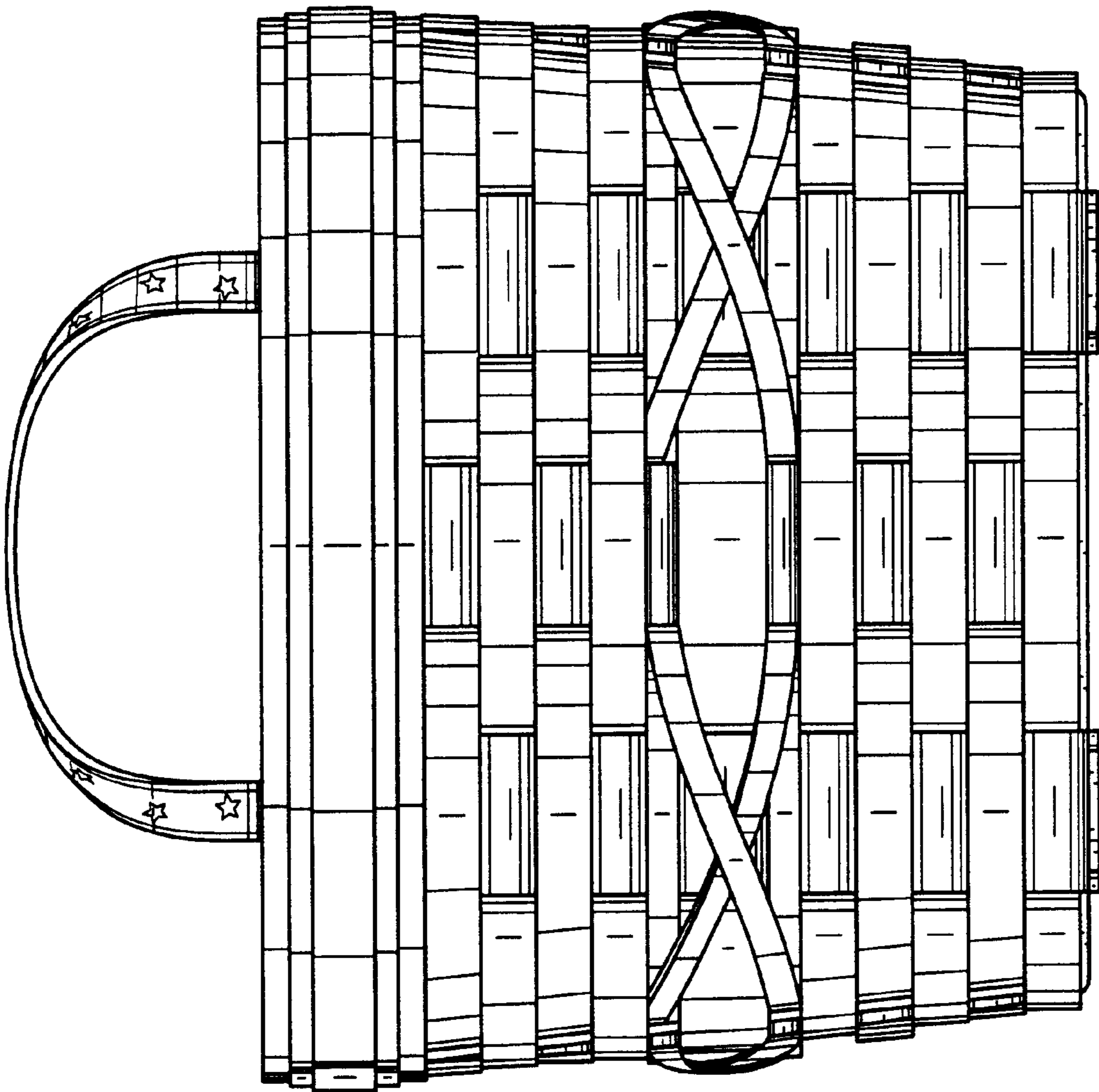


FIG. 3

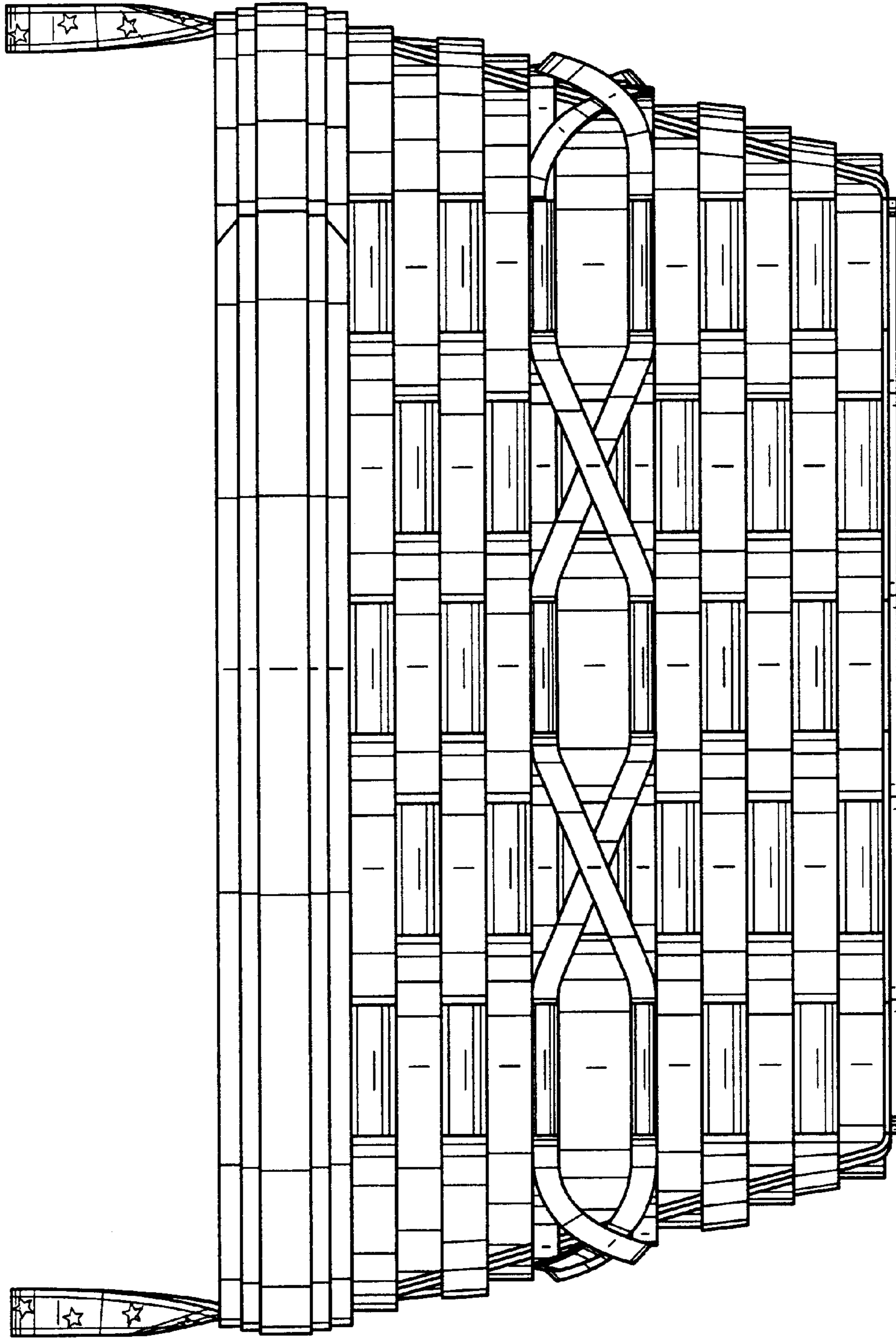


FIG. 4

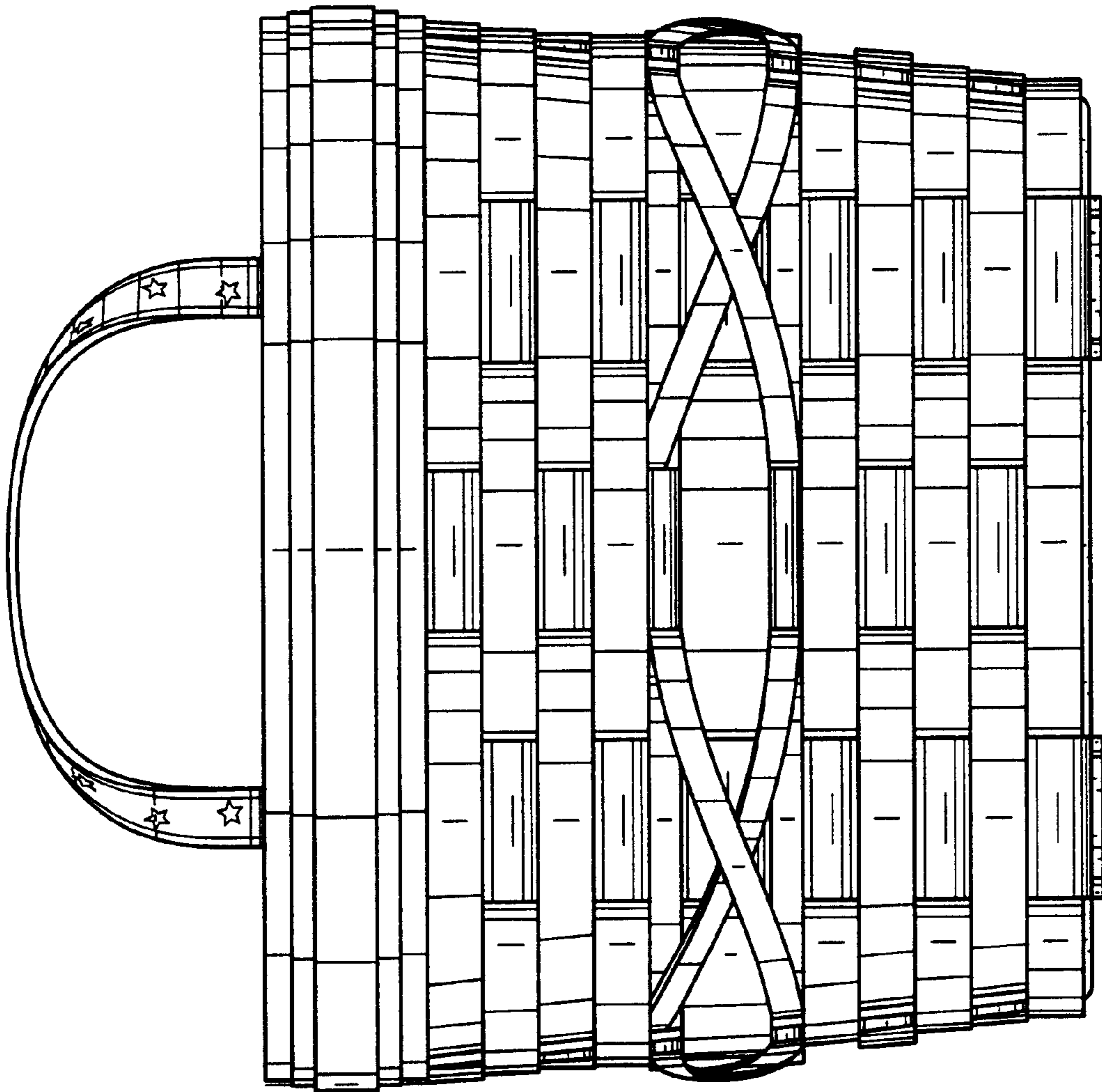


FIG. 5

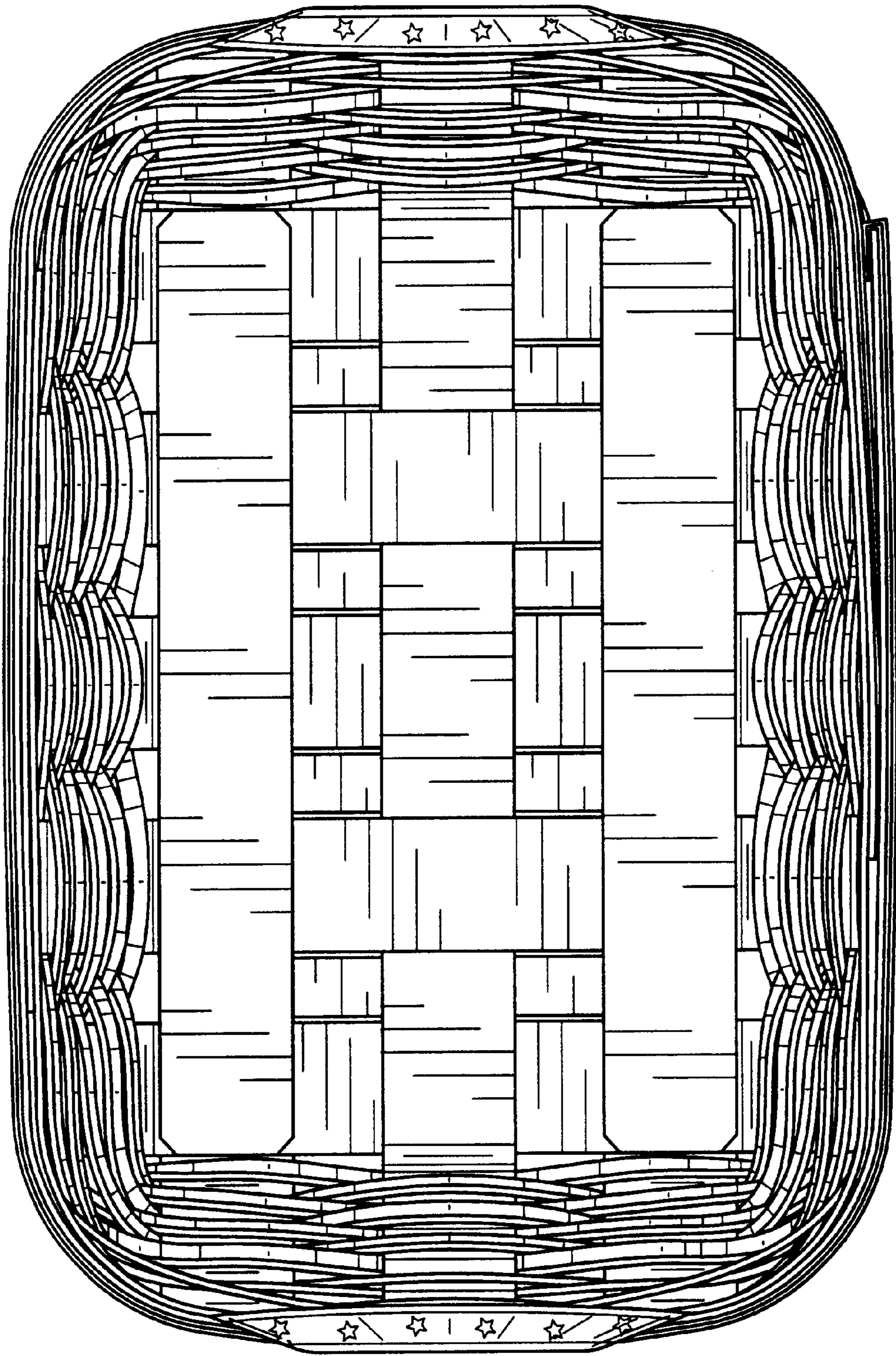


FIG. 6

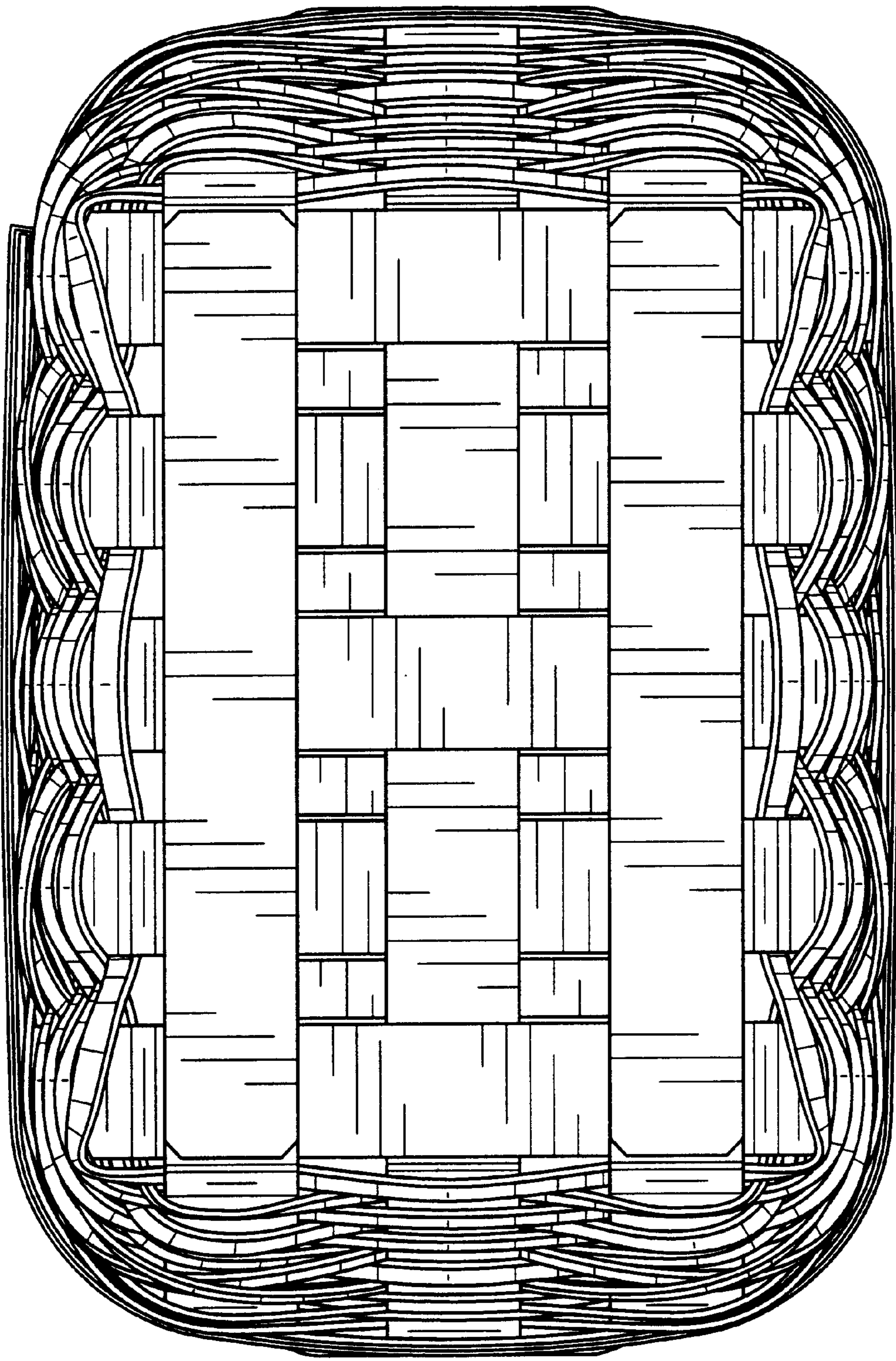


FIG. 7

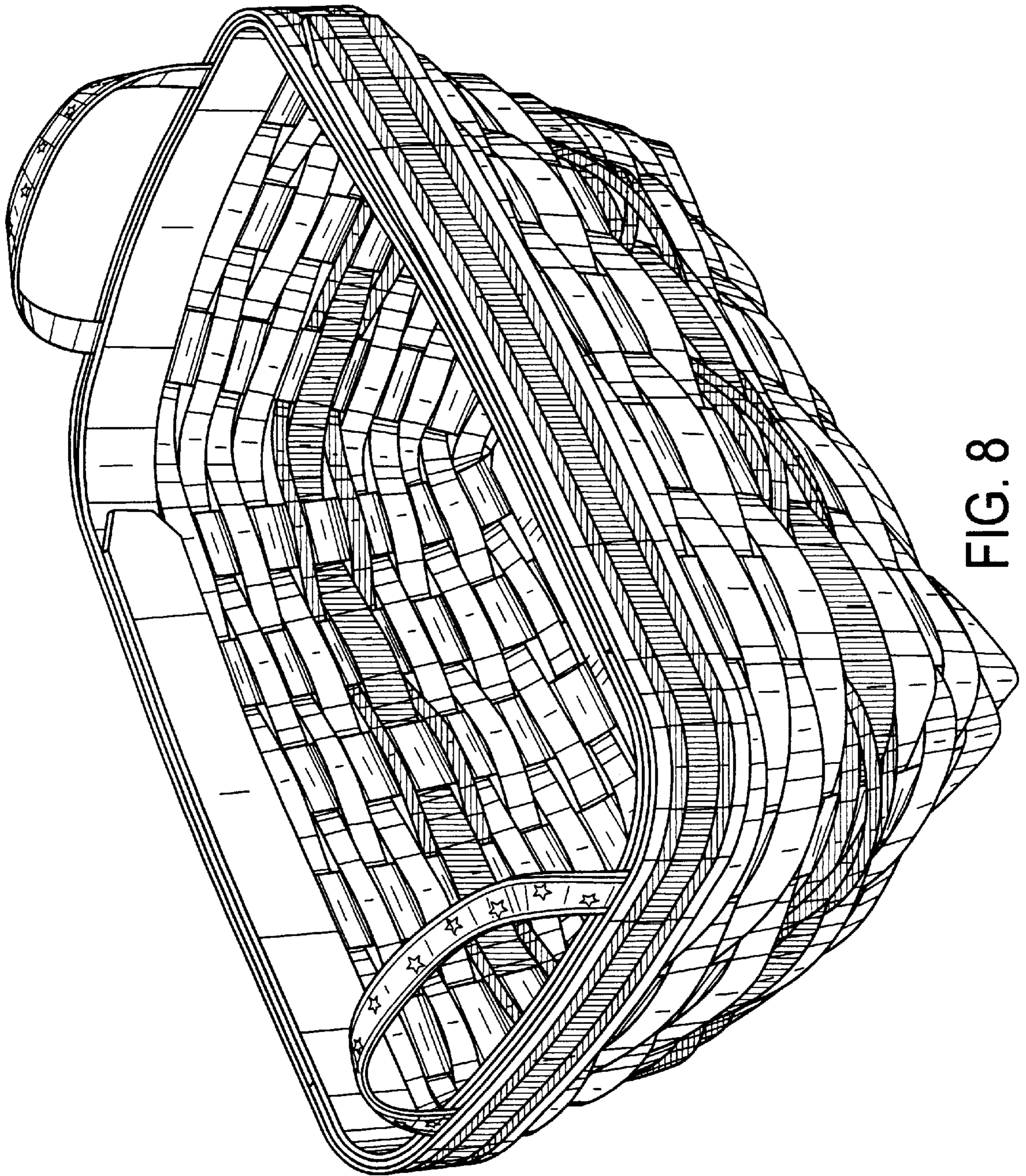


FIG. 8