



US00D463662S

(12) **United States Design Patent**
Leiden et al.

(10) **Patent No.: US D463,662 S**
(45) **Date of Patent: ** Oct. 1, 2002**

(54) **MEMORABILIA BOX**

(75) Inventors: **Laura Leiden**, Watkinsville, GA (US);
Shelley Smith, Watkinsville, GA (US);
Beth Allen, Athens, GA (US); **Jennifer Ruark**,
Watkinsville, GA (US); **Lynn Smith**,
Winterville, GA (US)

(73) Assignee: **Laura Leiden Calligraphy, Inc.**,
Watkinsville, GA (US)

(**) Term: **14 Years**

(21) Appl. No.: **29/134,967**

(22) Filed: **Jan. 3, 2001**

(51) **LOC (7) Cl.** **03-01**

(52) **U.S. Cl.** **D3/271**

(58) **Field of Search** D3/270, 271, 273,
D3/294; D9/326; 206/457, 472; 229/116.1;
D19/26

(56) **References Cited**

U.S. PATENT DOCUMENTS

1,709,685 A * 4/1929 Rothrock 206/472

(List continued on next page.)

Primary Examiner—Philip S. Hyder

(74) *Attorney, Agent, or Firm*—Gottlieb, Rackman &
Reisman, P.C.

(57) **CLAIM**

The ornamental design for a memorabilia box, as shown and described.

DESCRIPTION

FIG. 1 shows a perspective view of the outside of a memorabilia box constructed in accordance with this invention; the broken lines showing a card with lettering are for illustrative purposes only and form no part of the claimed design;

FIG. 2 shows an elevational view of the top side of the memorabilia box of FIG. 1, the bottom side view being a mirror image thereof;

FIG. 3 shows an elevational view of the right side of the memorabilia box of FIG. 1;

FIG. 4 shows an elevational view of the left side of the memorabilia box of FIG. 1;

FIG. 5 shows a perspective view of the inside of the memorabilia box of FIG. 1 also depicting the inside lining and the inside cover lining; the broken lines showing lettering are for illustrative purposes and form no part of the claimed design;

FIG. 6 shows a perspective view of the inside of an alternative memorabilia box to that of FIG. 1 also depicting the inside lining and the inside cover lining; the broken lines showing lettering are for illustrative purposes only and form no part of the claimed design;

FIG. 7 shows an elevational view of the right side of the memorabilia box of FIG. 6;

FIG. 8 shows an elevational view of the top side of the memorabilia box of FIG. 6, the bottom side view being a mirror image thereof;

FIG. 9 shows a perspective view of the outside of a second alternative embodiment of the memorabilia box of FIG. 1, wherein the broken lines showing lettering are for illustrative purposes only and form no part of the claimed design, and the left side surface and the top surface of this embodiment are identical to the corresponding surfaces of the first embodiment;

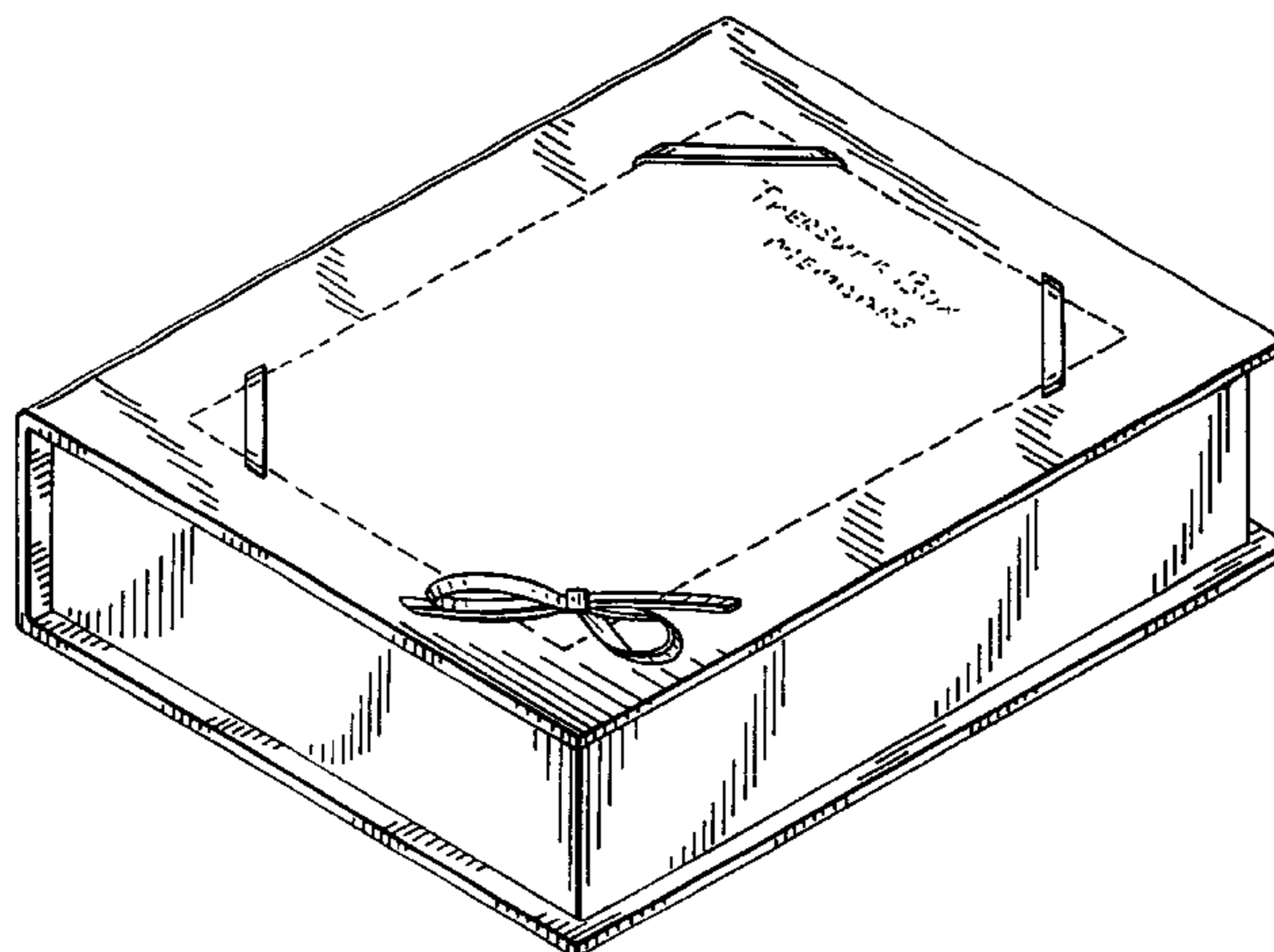
FIG. 10 shows a perspective view of the outside of a third alternative embodiment of the memorabilia box of FIG. 1, wherein the broken lines showing lettering are for illustrative purposes only and form no part of the claimed design, and the left side surface and the top surface of this embodiment are identical to the corresponding surfaces of the first embodiment.

FIG. 11 shows a perspective view of the inside of a fourth alternative embodiment of the memorabilia box of FIG. 1, FIG. 9 and FIG. 10 also depicting the inside lining and the inside cover lining; the broken lines showing lettering are for illustrative purposes and form no part of the claimed design; and,

FIG. 12 shows a perspective view of the inside of a fifth alternative embodiment of the memorabilia box of FIG. 5 also depicting the inside lining and the inside cover lining with ribbon; the broken lines showing lettering are for illustrative purposes and form no part of the claimed design; and,

FIG. 13 shows a perspective view of the alternative memorabilia box disclosed in FIGS. 6, 7, and 8.

1 Claim, 9 Drawing Sheets



US D463,662 S

Page 2

U.S. PATENT DOCUMENTS											
2,341,600	A	*	2/1944	Daniel	206/457	D344,455	S	*	2/1994	Kornberg et al.	D9/326
D271,161	S	*	11/1983	Compton	D6/634	D386,677	S	*	11/1997	Abiteboul	D9/326
D272,546	S	*	2/1984	Holson	D19/26	D429,761	S	*	8/2000	Ward	D19/31
D304,008	S	*	10/1989	Hornung	D7/703	D431,107	S	*	9/2000	Palazzo	D3/271

* cited by examiner

FIG. 1

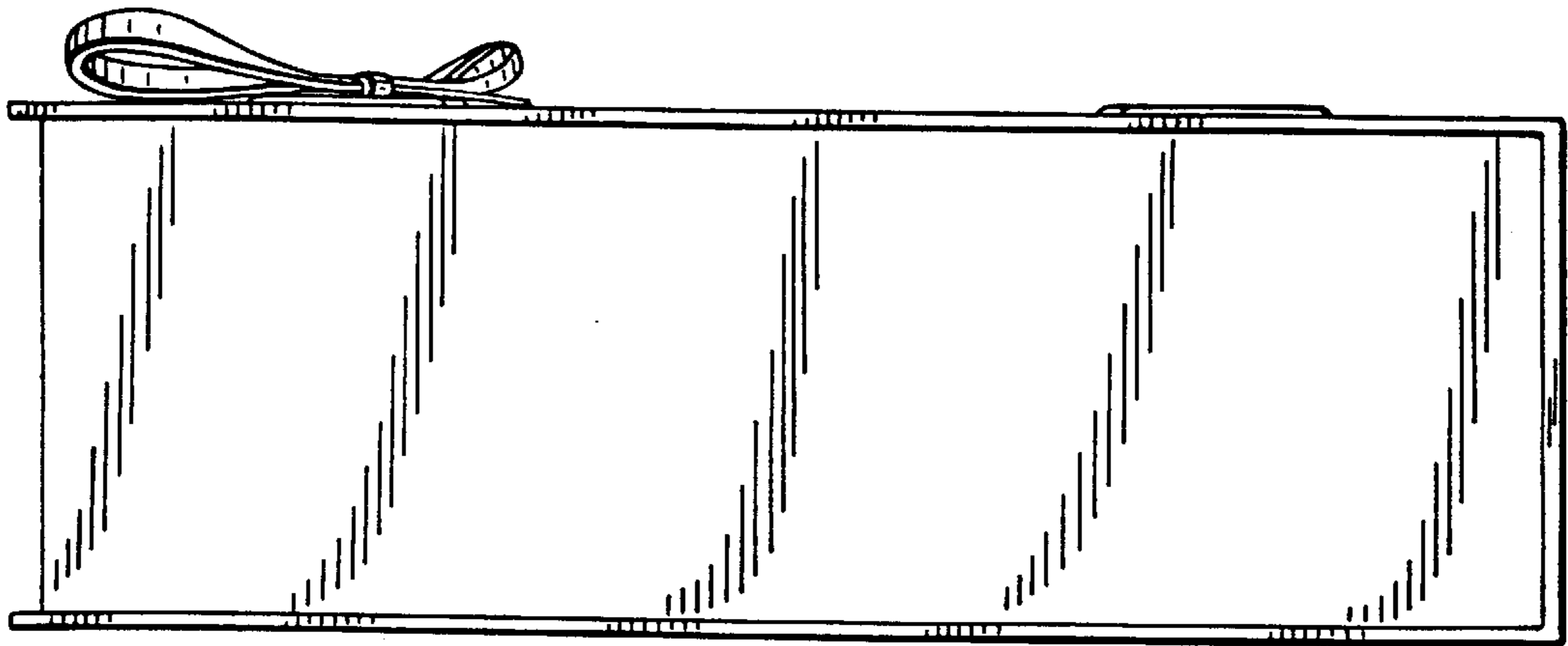
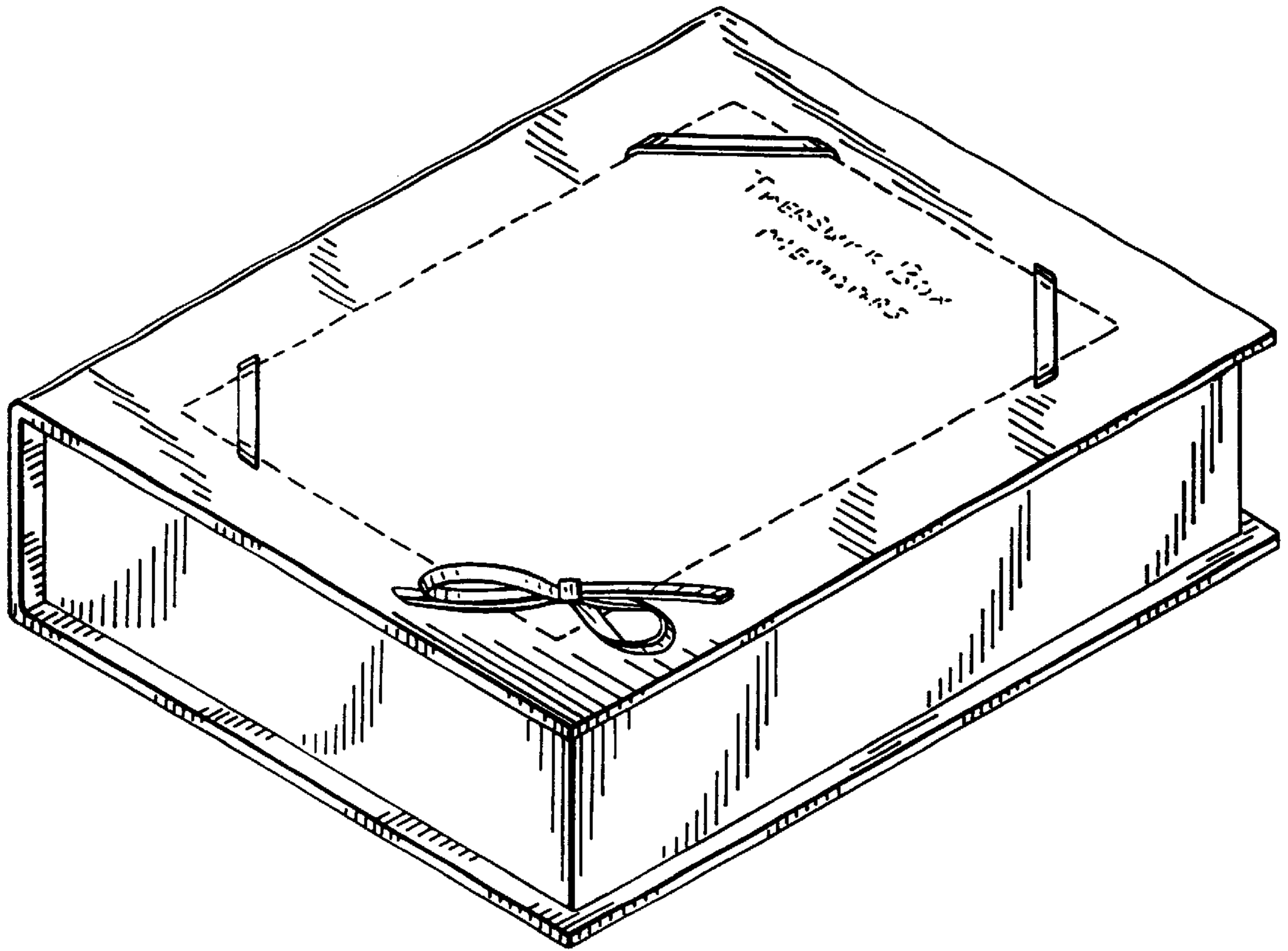


FIG. 2

FIG.3

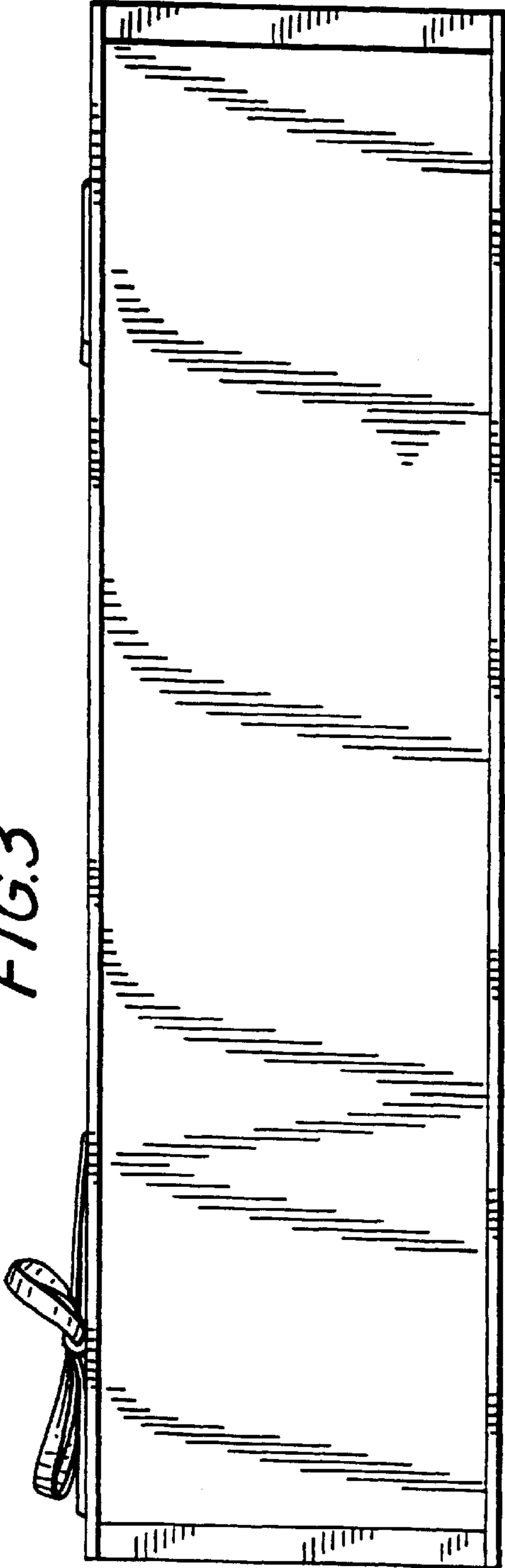
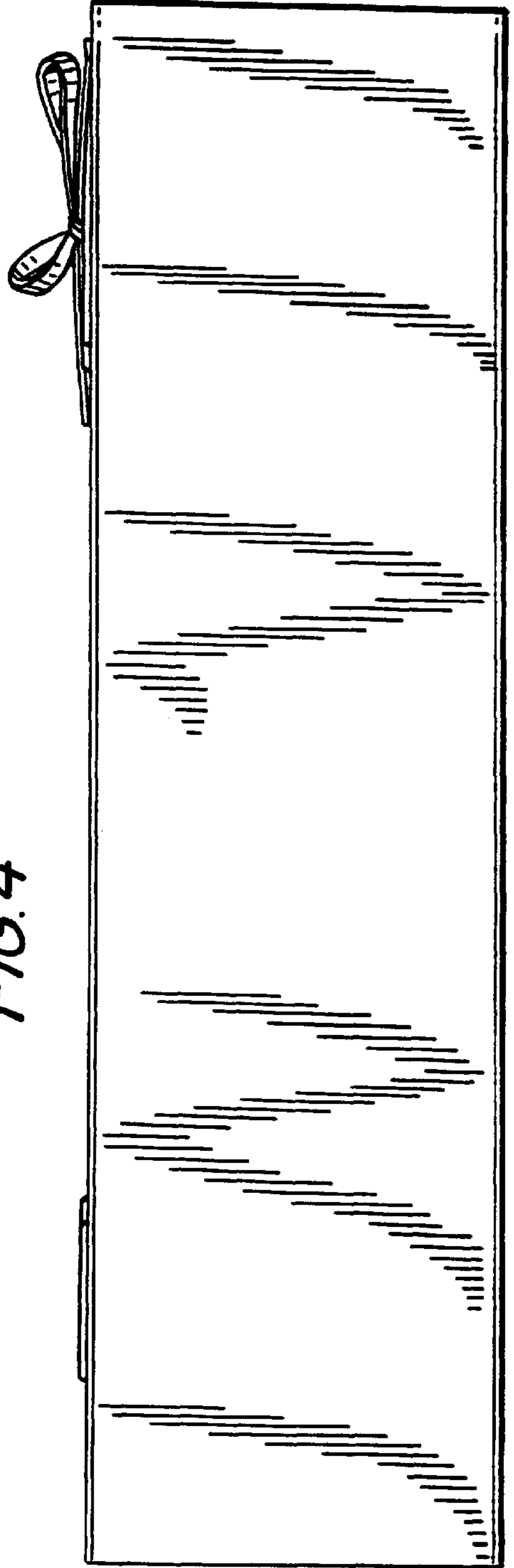
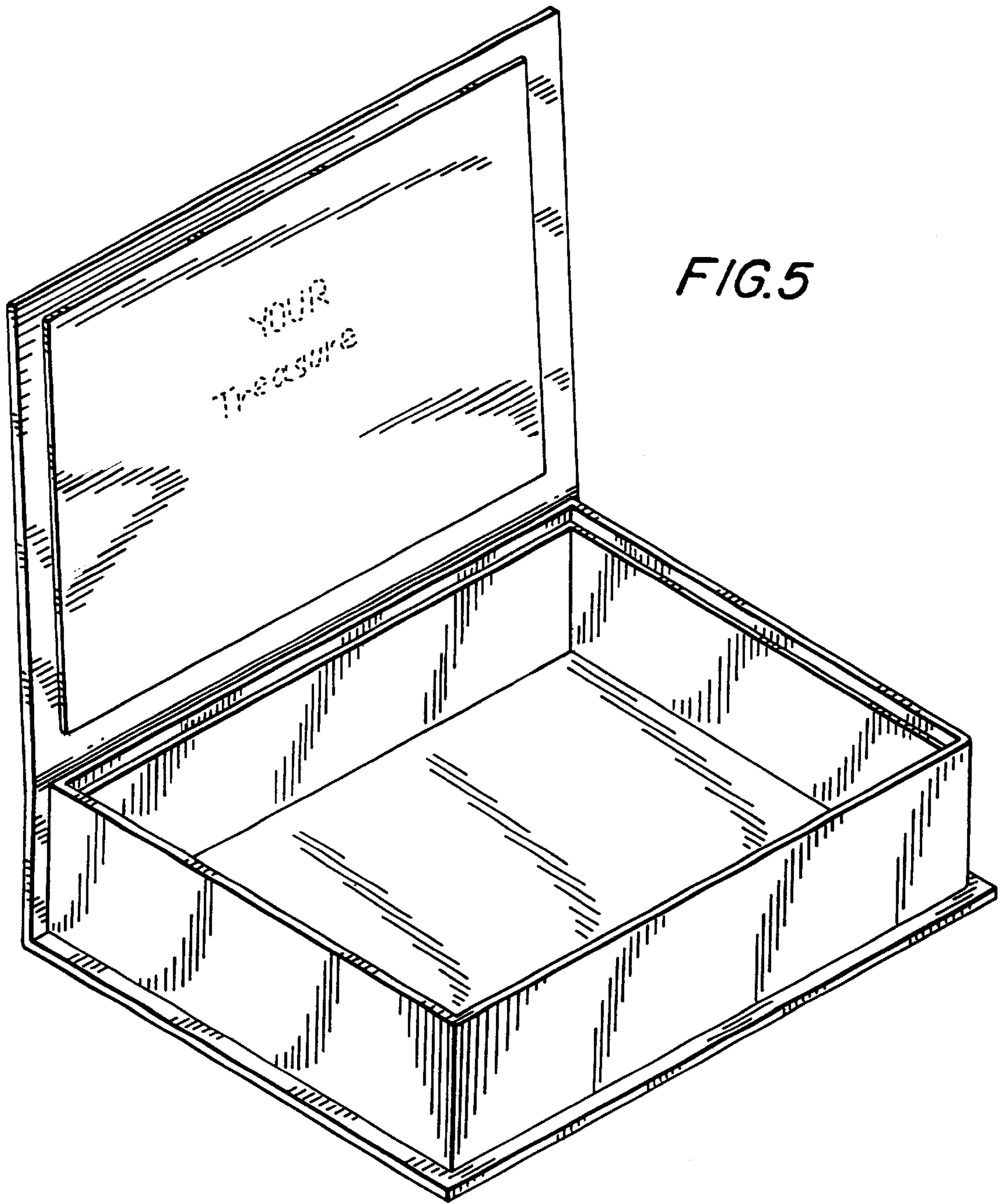


FIG.4





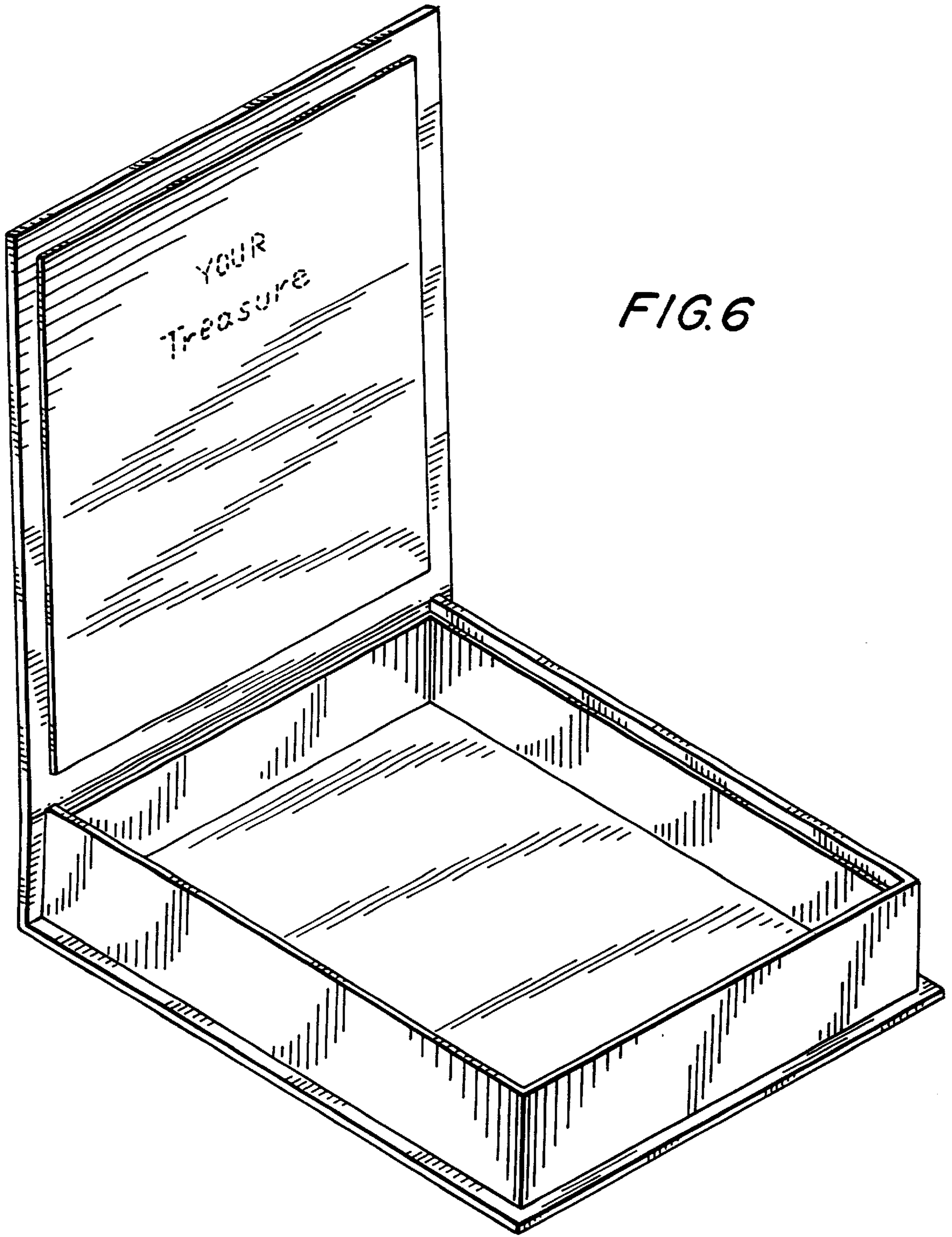


FIG. 6

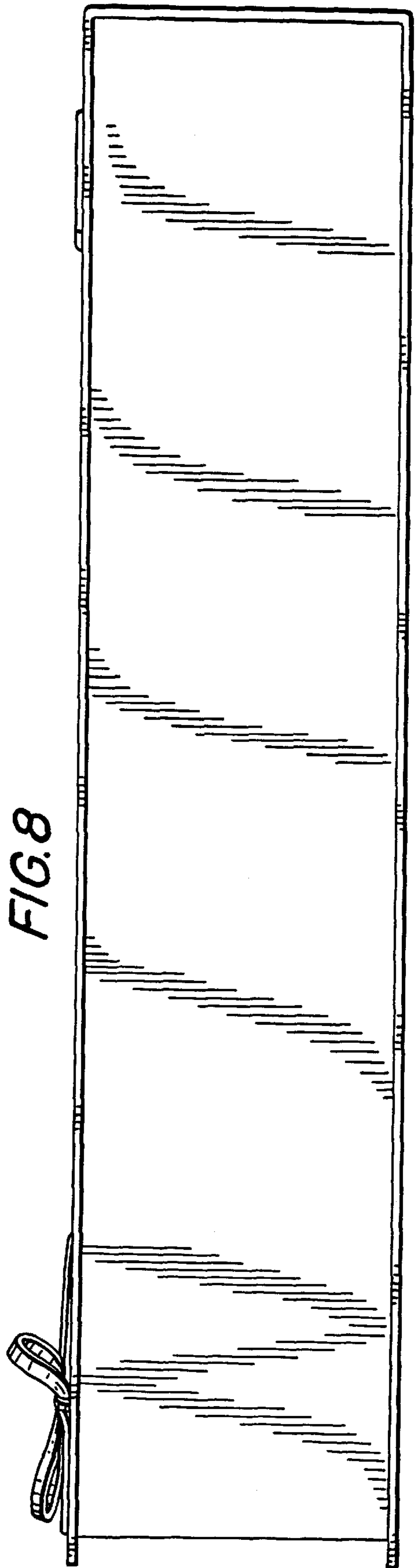
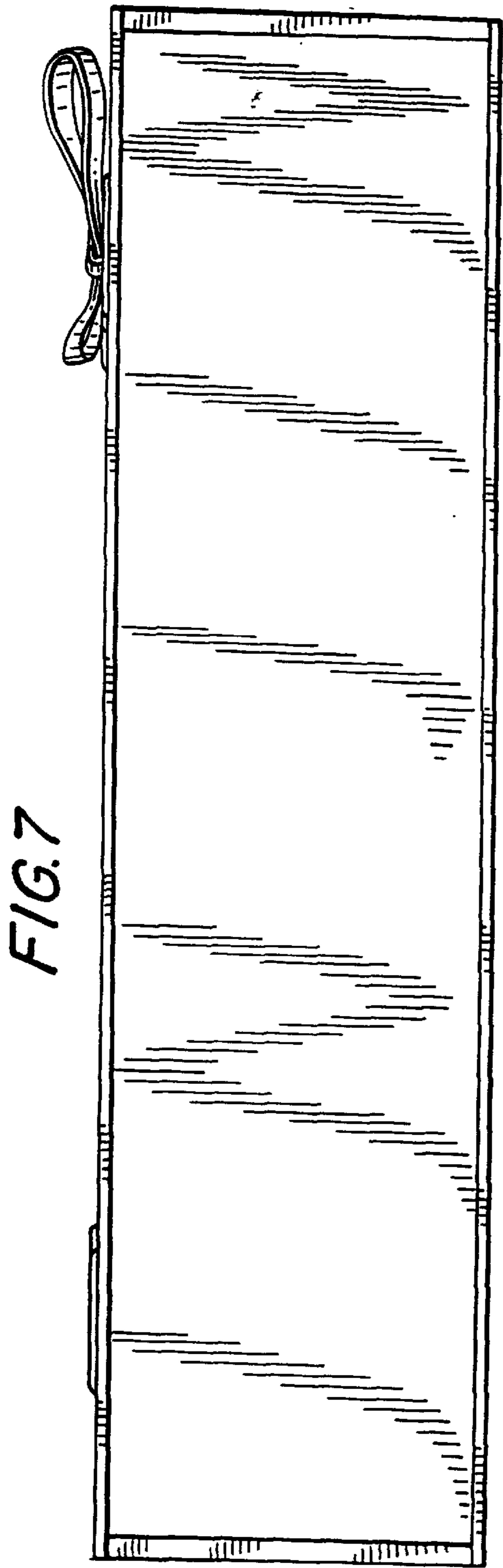


FIG. 9

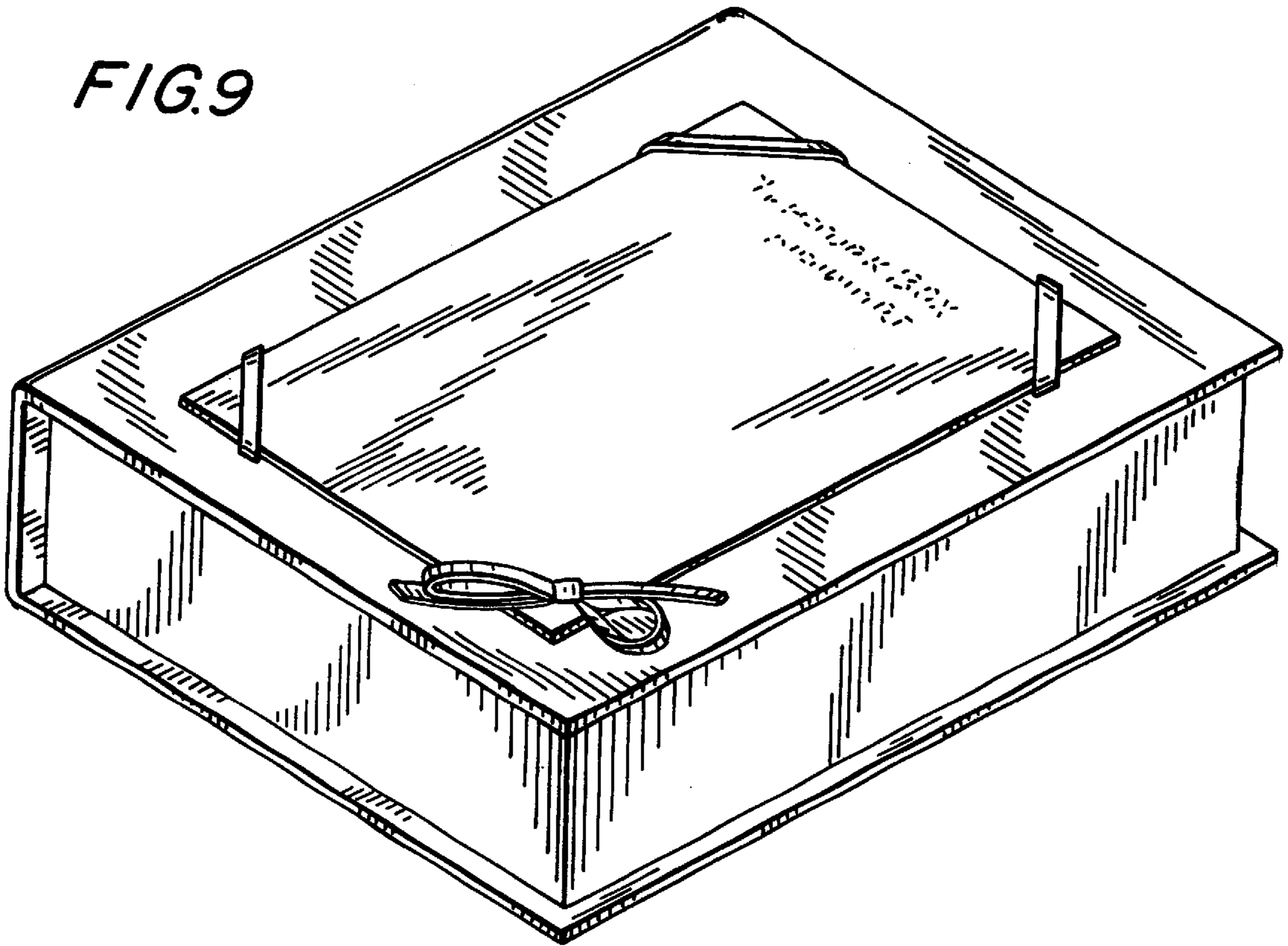
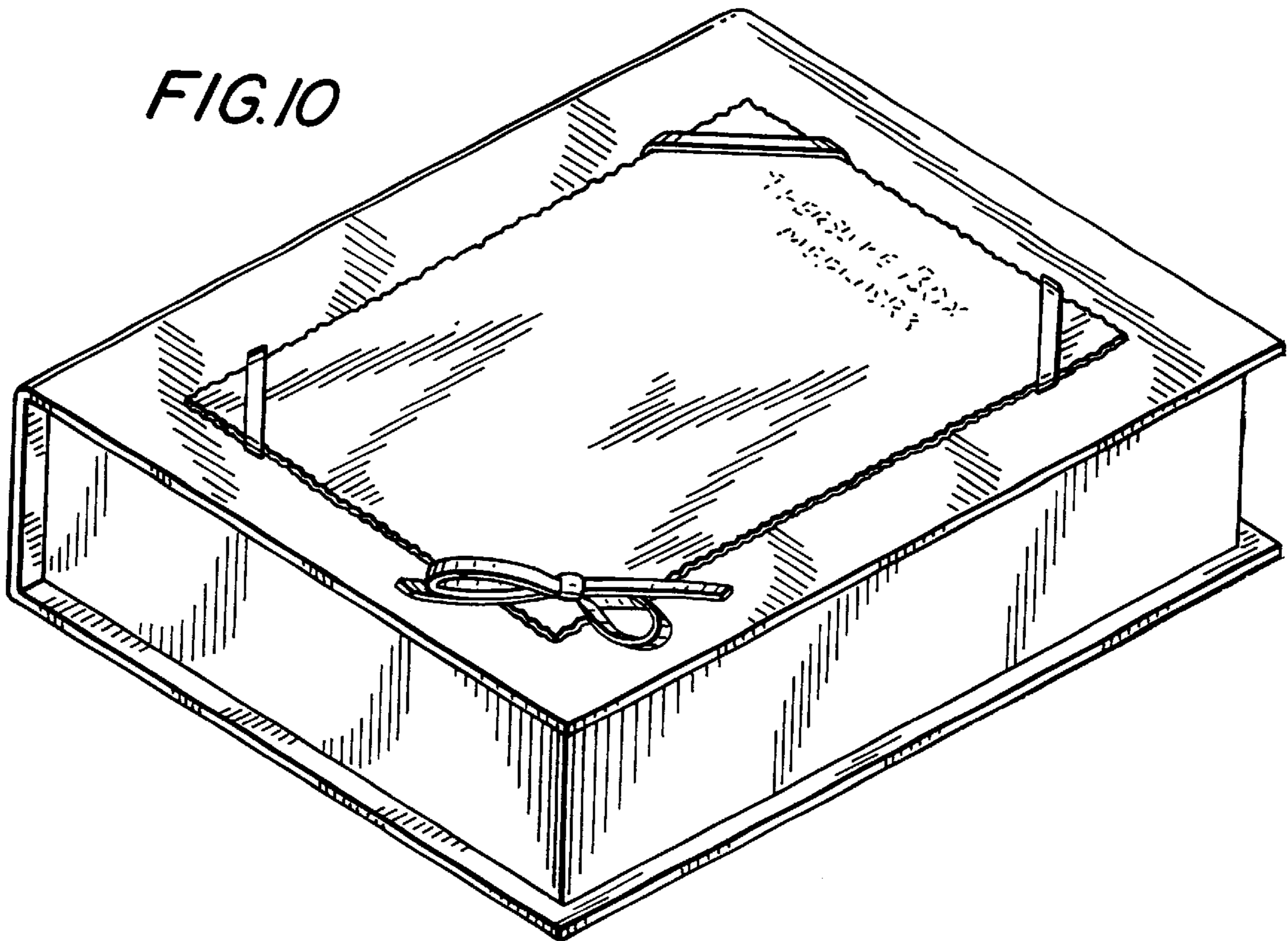


FIG. 10



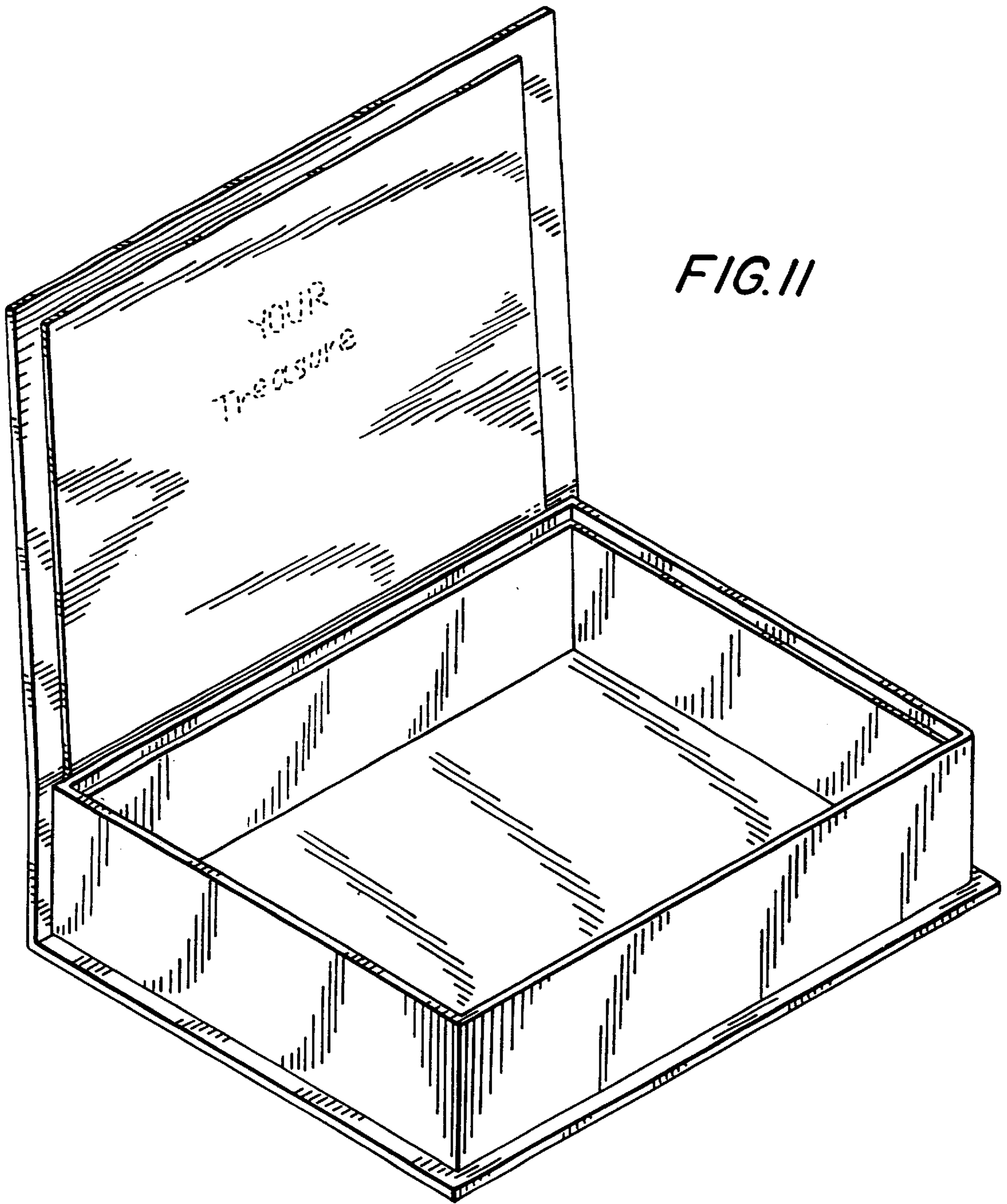


FIG. 11

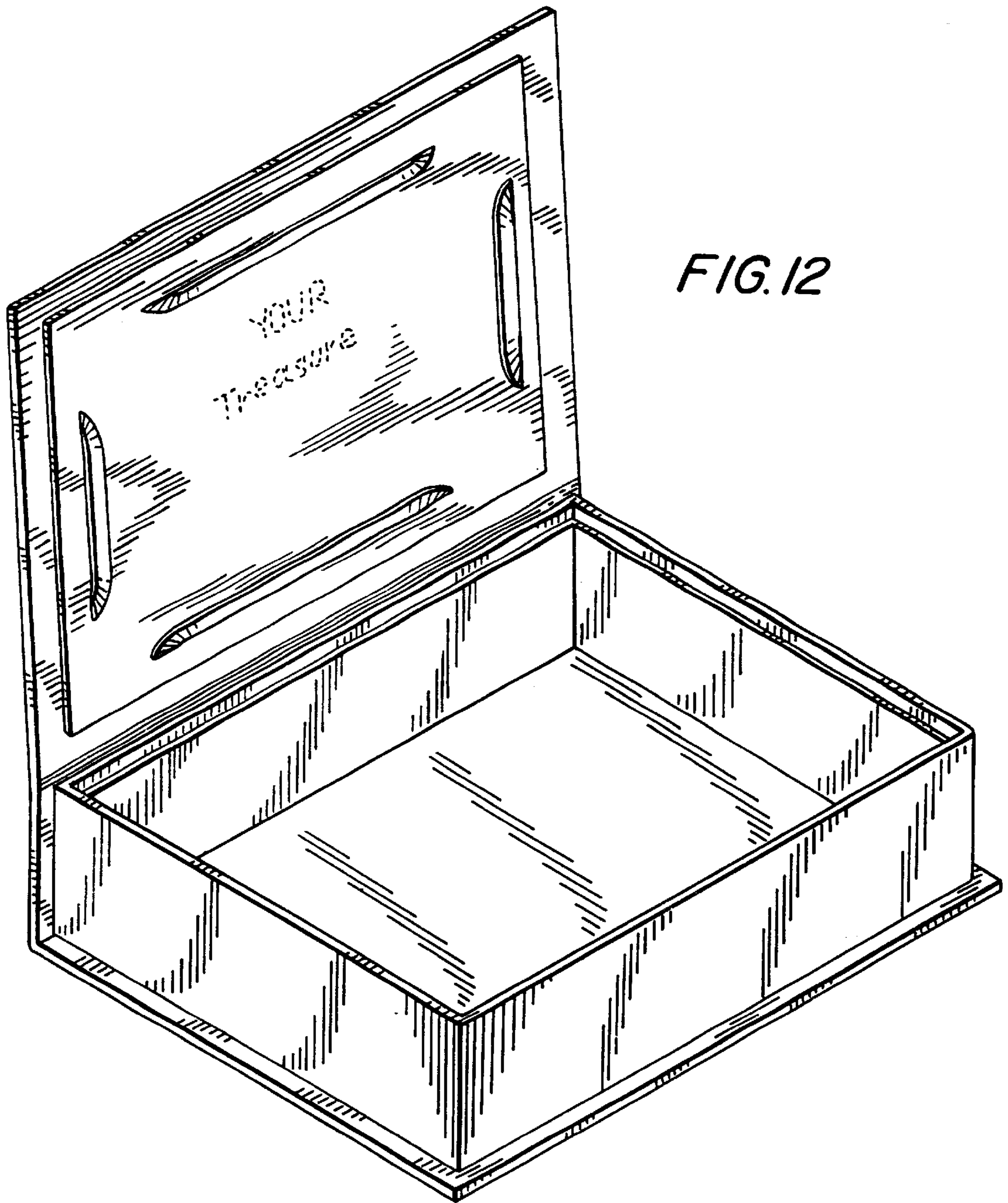


FIG. 12

FIG. 13

