



US00D463654S

(12) **United States Design Patent**  
**Cho**

(10) **Patent No.:** **US D463,654 S**

(45) **Date of Patent:** **\*\* Oct. 1, 2002**

(54) **GOLF SPIKE RECEPTACLE**

D441,177 S \* 5/2001 Adam ..... D2/962

(75) Inventor: **Kee-Suk Cho**, Pusan (KR)

\* cited by examiner

(73) Assignee: **Asan Industrial Co., Ltd.**, Pusan (KR)

*Primary Examiner*—Dominic Simone

(\*\*) Term: **14 Years**

(74) *Attorney, Agent, or Firm*—Birch, Stewart, Kolasch & Birch LLP

(21) Appl. No.: **29/148,743**

(57) **CLAIM**

(22) Filed: **Sep. 27, 2001**

The ornamental design for a golf spike receptacle, substantially as shown and described.

(30) **Foreign Application Priority Data**

**DESCRIPTION**

Apr. 9, 2001 (KR) ..... 01-9075

(51) **LOC (7) Cl.** ..... **02-99**

(52) **U.S. Cl.** ..... **D2/962**

(58) **Field of Search** ..... D2/946, 962; 36/67 A,  
36/67 D, 59 R, 61-66

FIG. 1 is a top perspective view of a golf spike receptacle showing my new design;

FIG. 2 is a bottom perspective view thereof;

FIG. 3 is an elevational view thereof showing the side opposite that shown in FIG. 1;

FIG. 4 is an elevational view looking from the right of FIG. 3, the opposite side being mirror image thereof;

FIG. 5 is a top plan view thereof;

FIG. 6 is a bottom plan view thereof; and,

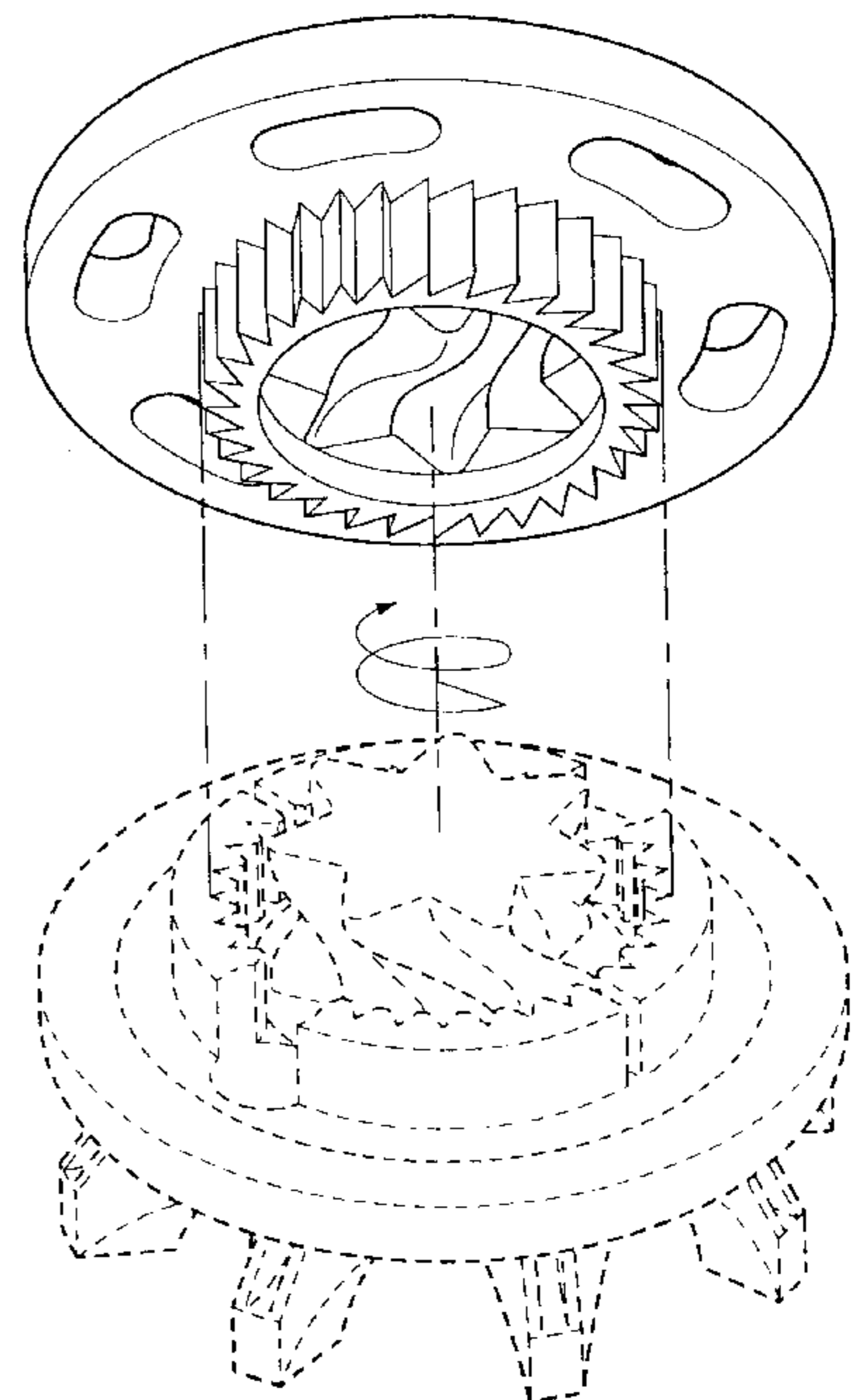
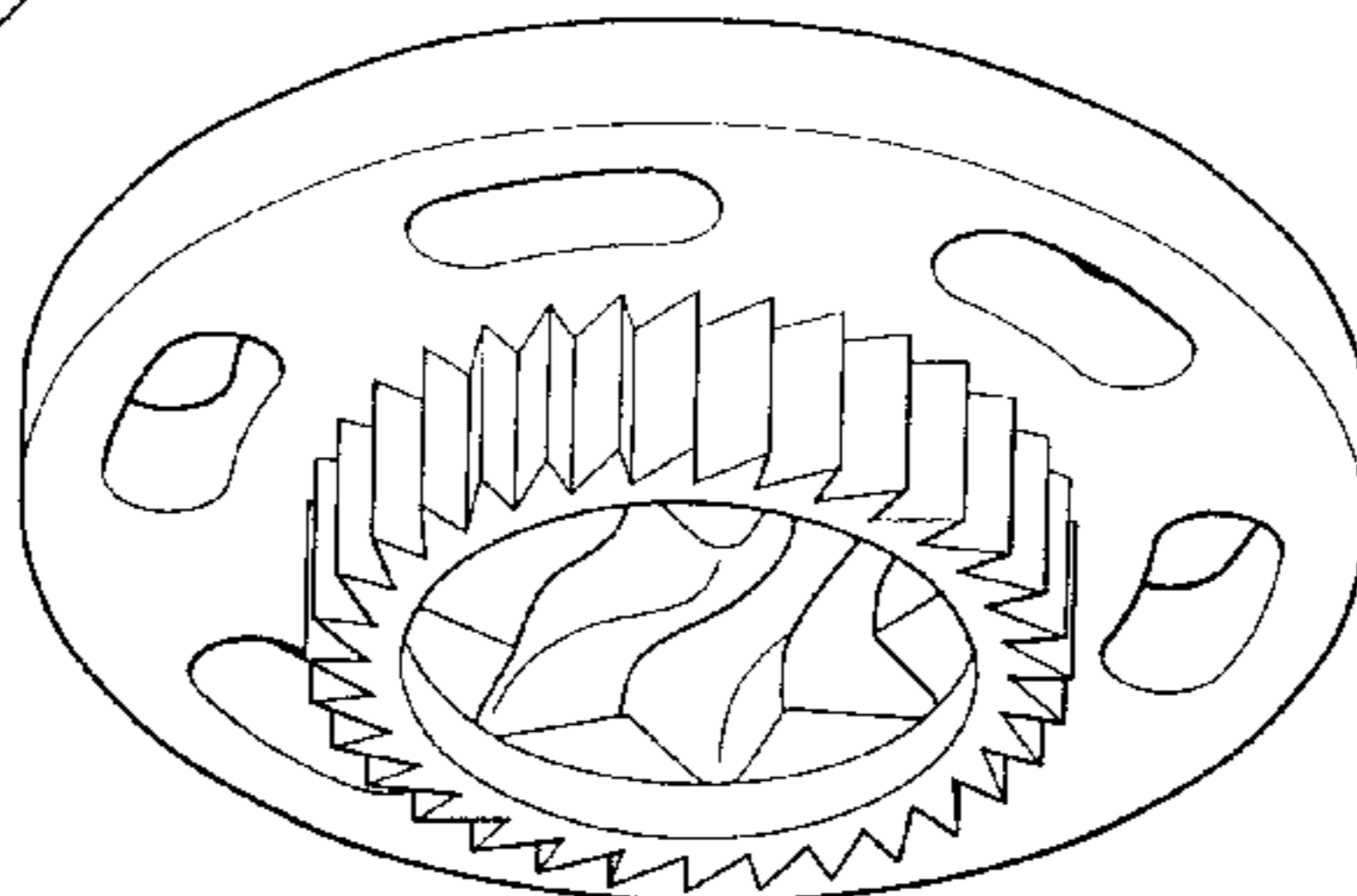
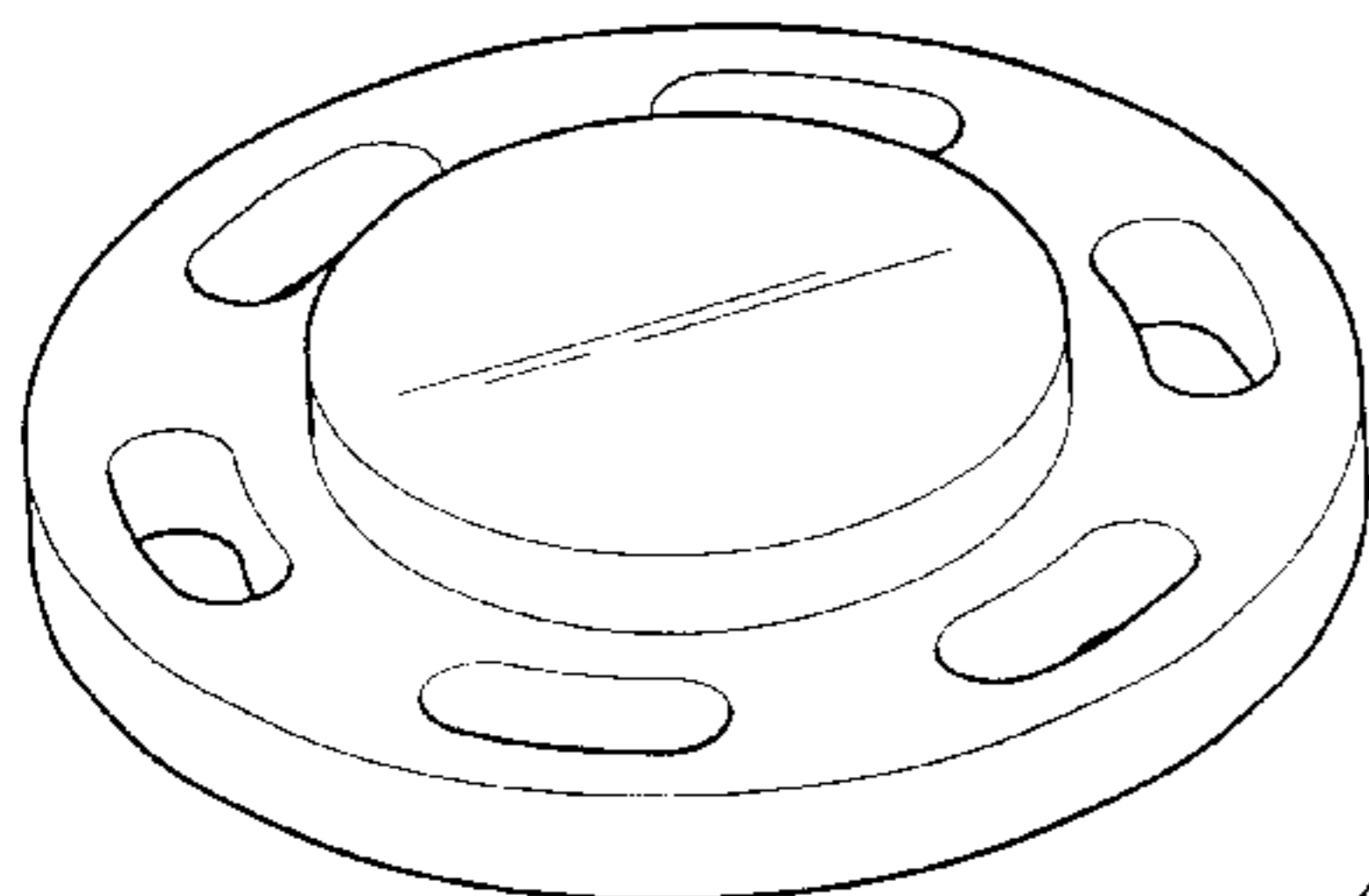
FIG. 7 is a bottom perspective view thereof, the golf spike shown in broken lines for illustrative purposes only and forms no part of the claimed design.

(56) **References Cited**

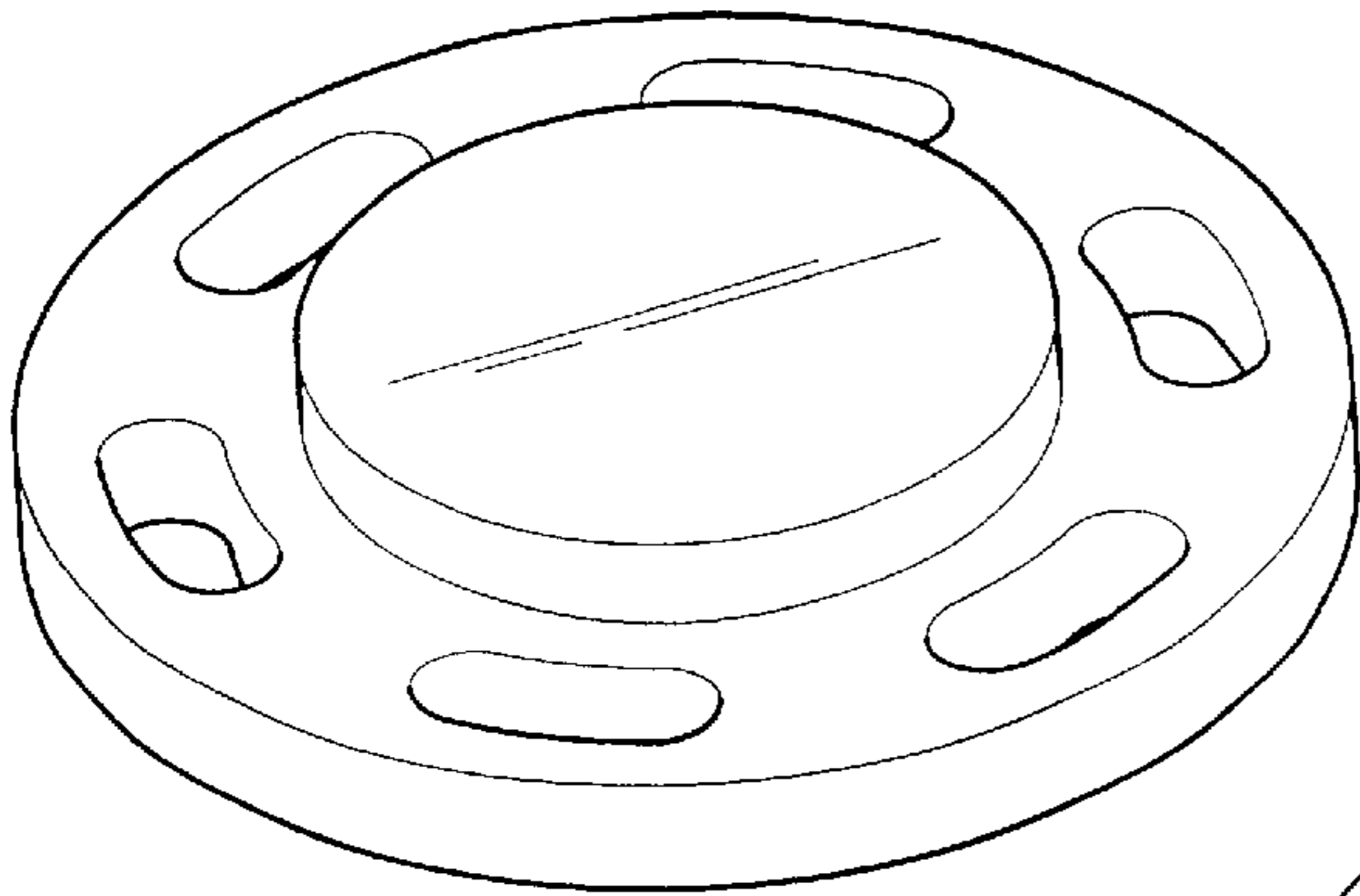
**U.S. PATENT DOCUMENTS**

- D408,978 S \* 5/1999 Savoie ..... D2/962
- D410,139 S \* 5/1999 Savoie ..... D2/962
- D414,025 S \* 9/1999 Adam ..... D2/962
- 6,138,386 A \* 10/2000 Singer et al. .... 36/67 D
- 6,154,984 A \* 12/2000 Adam ..... 36/62

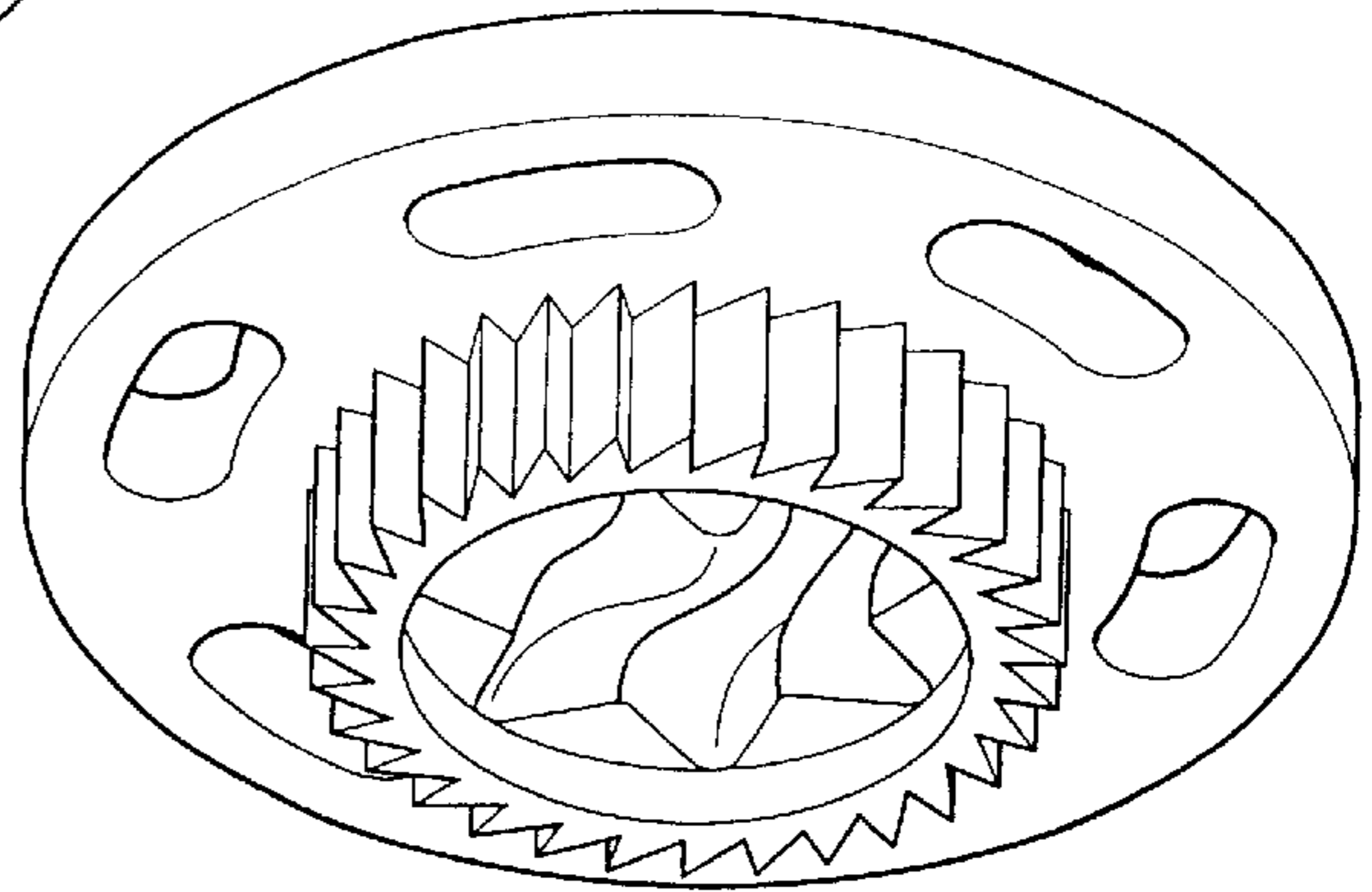
**1 Claim, 2 Drawing Sheets**



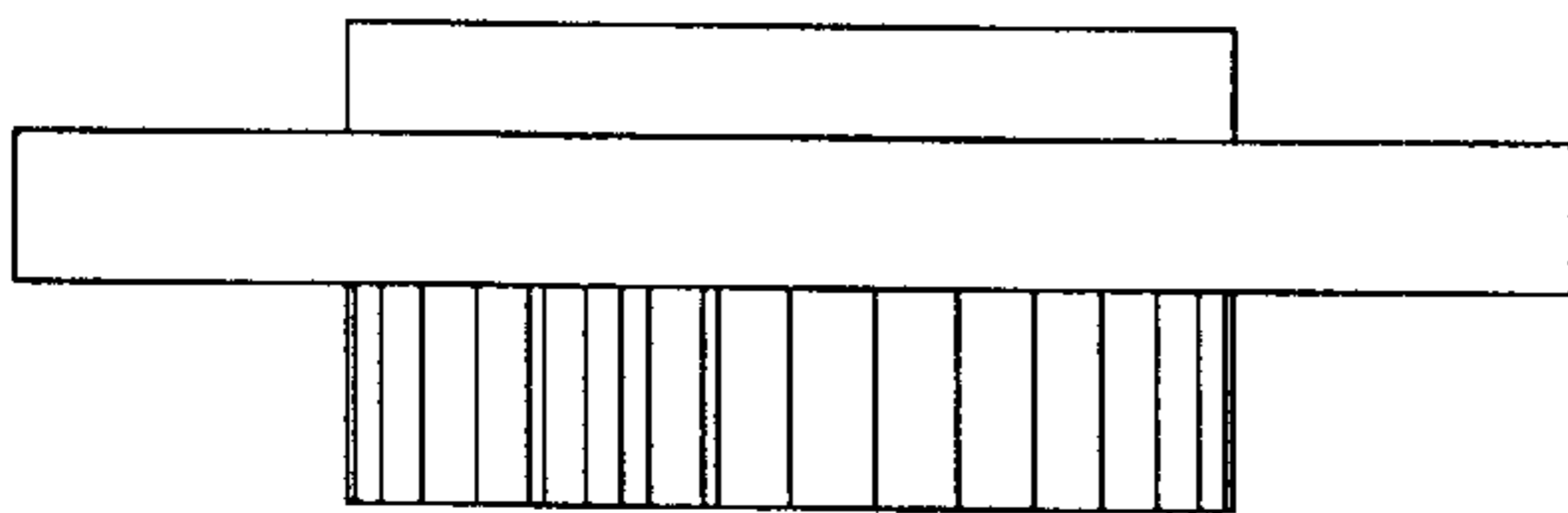
**FIG. 1**



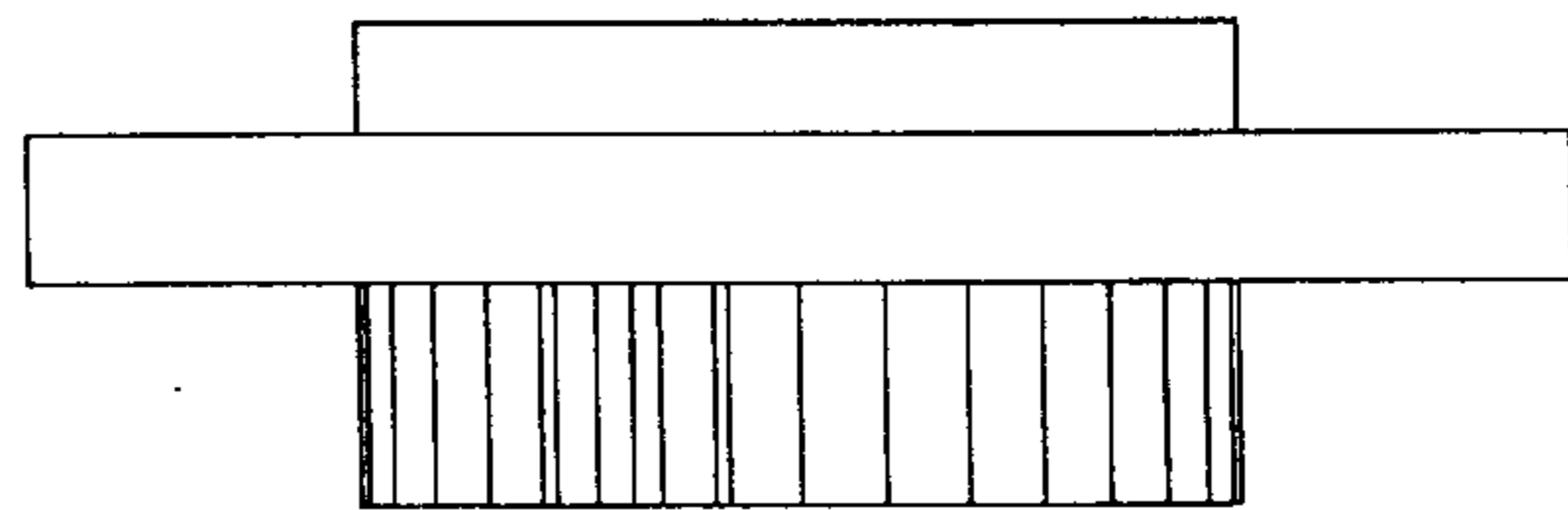
**FIG. 2**



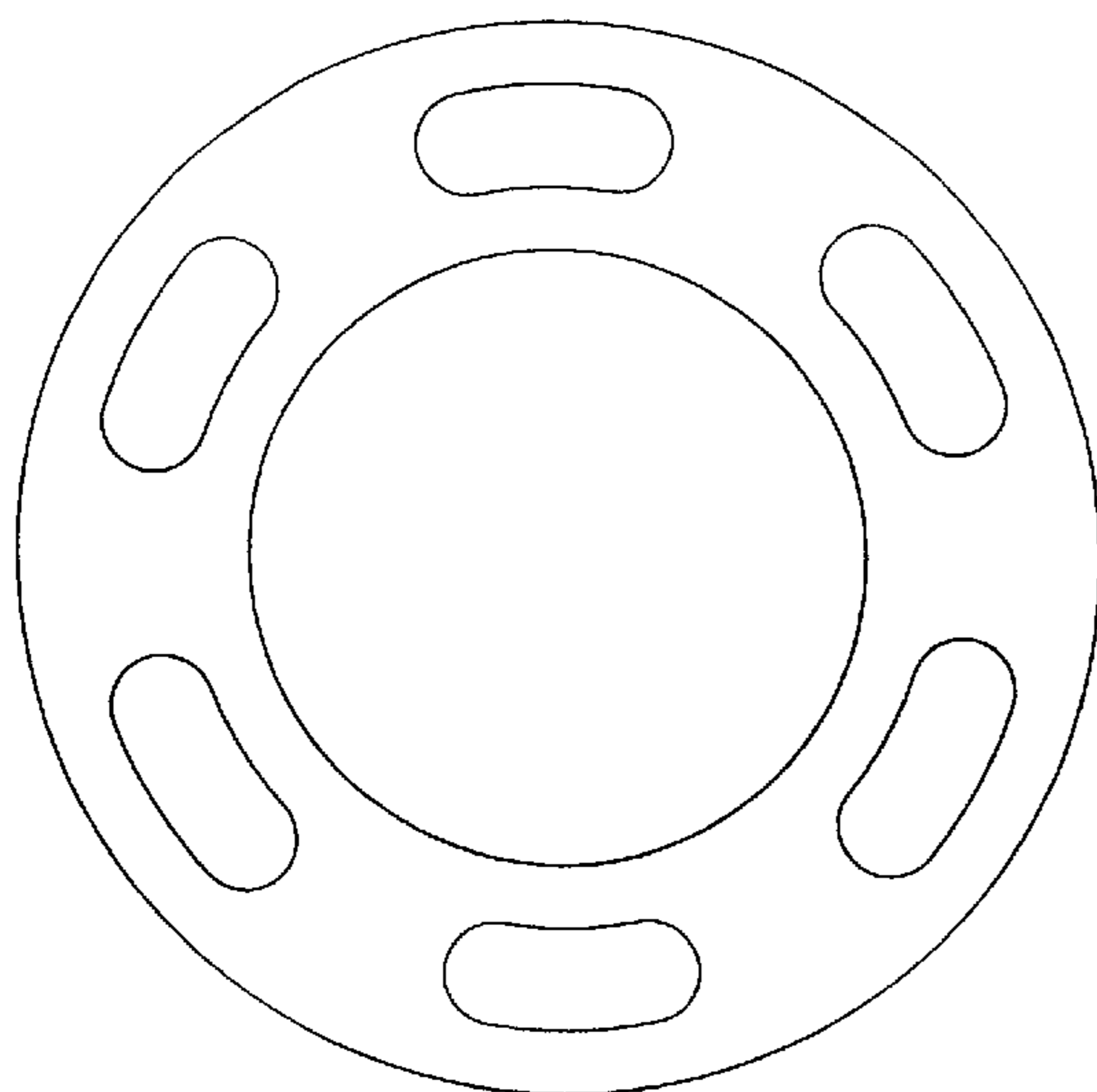
**FIG. 3**



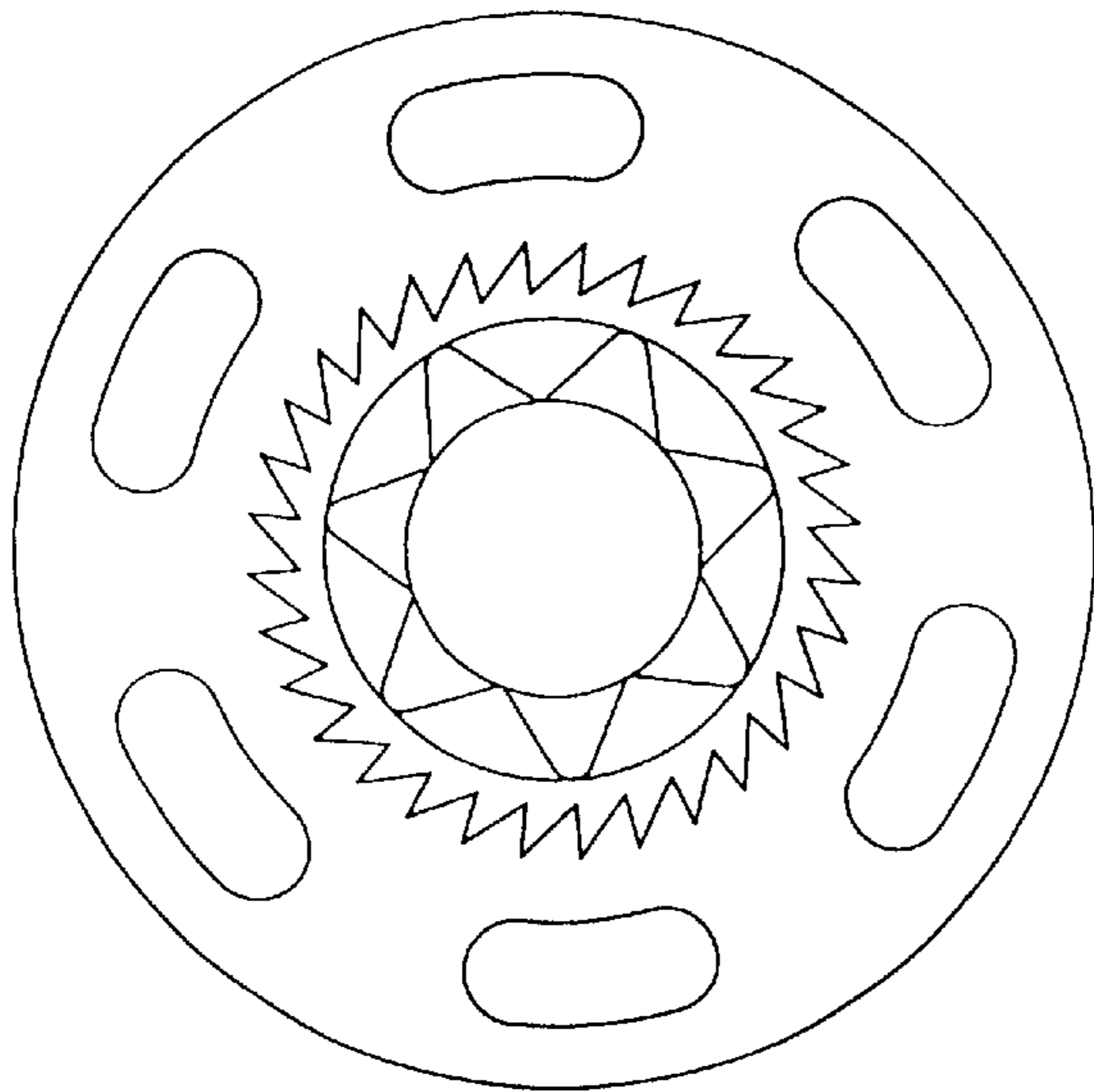
**FIG. 4**



**FIG. 5**



**FIG. 6**



**FIG. 7**

