



US00D463646S

(12) **United States Design Patent**  
**Pai**

(10) **Patent No.:** **US D463,646 S**

(45) **Date of Patent:** **\*\* Sep. 24, 2002**

(54) **SINK CART**

5,465,438 A \* 11/1995 Allman et al. .... 4/626  
D425,279 S \* 5/2000 Houry et al. .... D34/20

(76) Inventor: **Lucas Pai**, 8 Fl.-2, No. 160, Sec. 1,  
Chung-Kang Rd., Taichung (TW)

\* cited by examiner

(\*\*) Term: **14 Years**

*Primary Examiner*—Kay H. Chin

(74) *Attorney, Agent, or Firm*—Rosenberg, Klein & Lee

(21) Appl. No.: **29/147,909**

(57) **CLAIM**

(22) Filed: **Sep. 11, 2001**

The ornamental design for a sink cart, as shown.

(51) **LOC (7) Cl.** ..... **12-02**

**DESCRIPTION**

(52) **U.S. Cl.** ..... **D34/19; D34/20**

(58) **Field of Search** ..... D34/12-27; D6/477,  
D6/479, 461, 449, 436, 445, 446, 448;  
280/79.3, 47.35, 47.34, 47.19, 79.11; 312/250,  
214, 350, 218, 111

FIG. 1 is a perspective view of a sink cart showing my new design;

FIG. 2 is a front elevational view thereof;

FIG. 3 is a rear elevational view thereof;

FIG. 4 is a left side view thereof;

FIG. 5 is a right side view thereof;

FIG. 6 is a top plain view thereof; and,

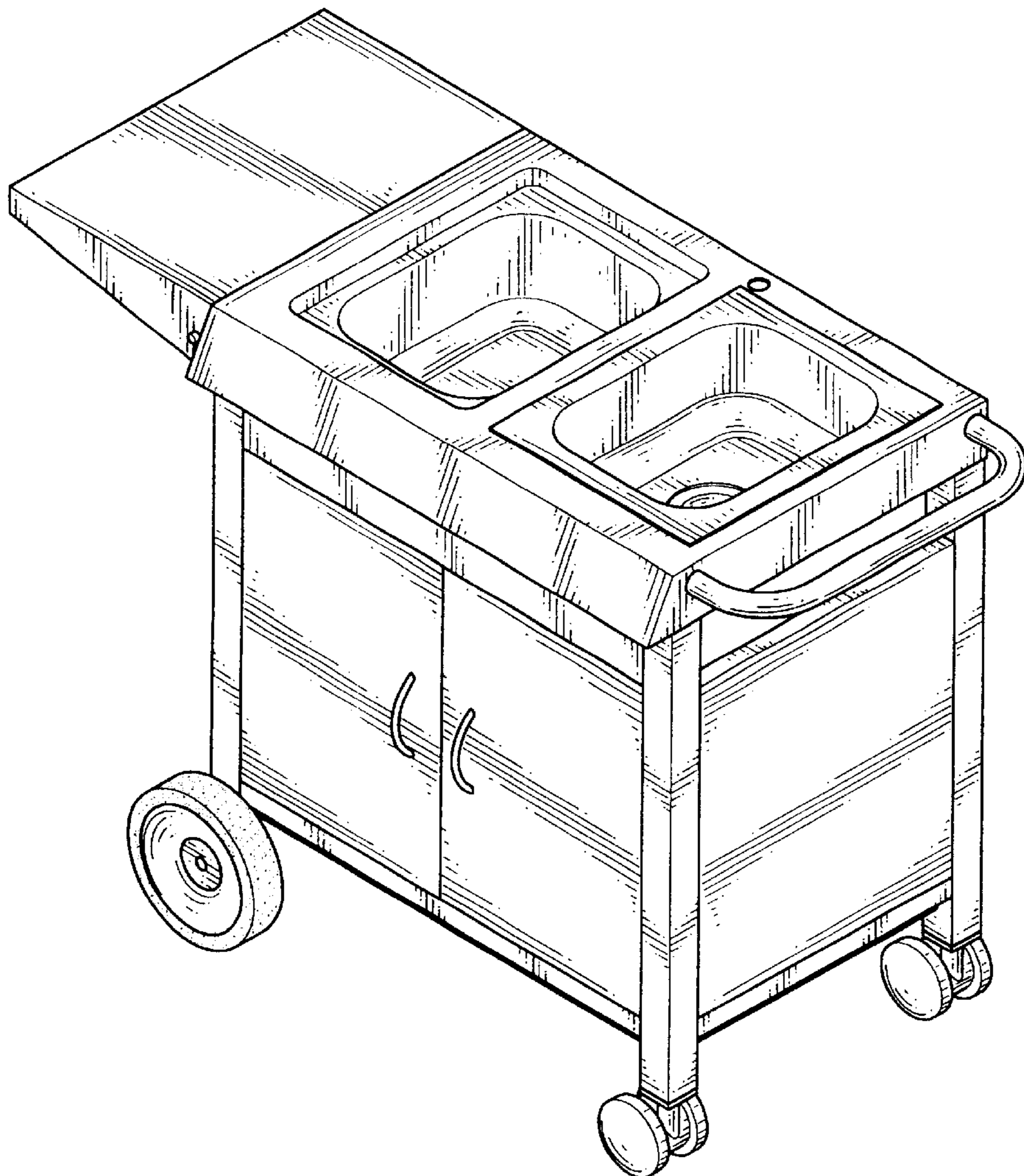
FIG. 7 is a bottom plain view thereof.

(56) **References Cited**

**U.S. PATENT DOCUMENTS**

D190,414 S \* 5/1961 Rhoads ..... D34/20  
4,008,931 A \* 2/1977 Kennedy, Jr. et al. .... 312/111  
D349,988 S \* 8/1994 Green ..... D34/21

**1 Claim, 4 Drawing Sheets**



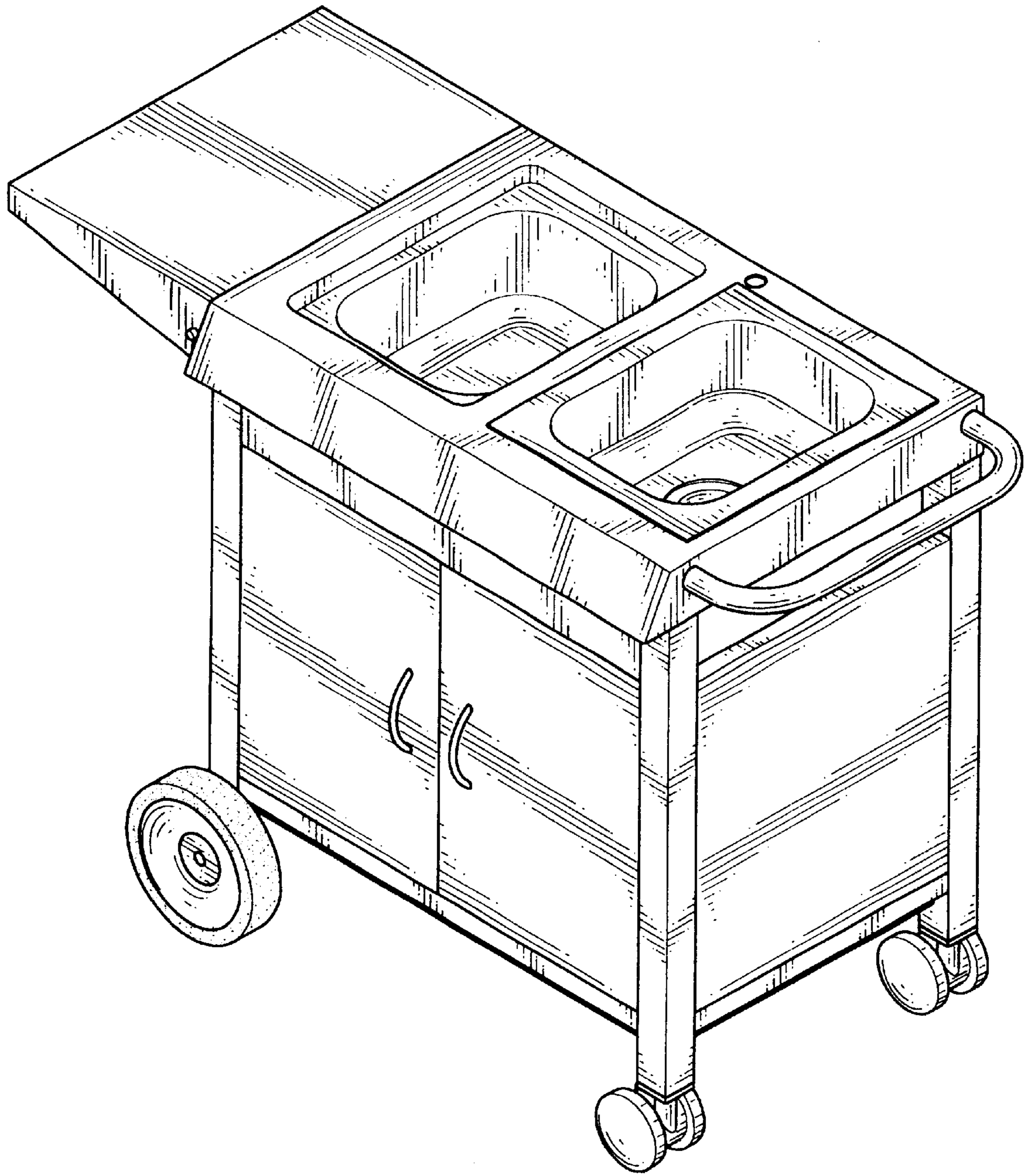


FIG. 1

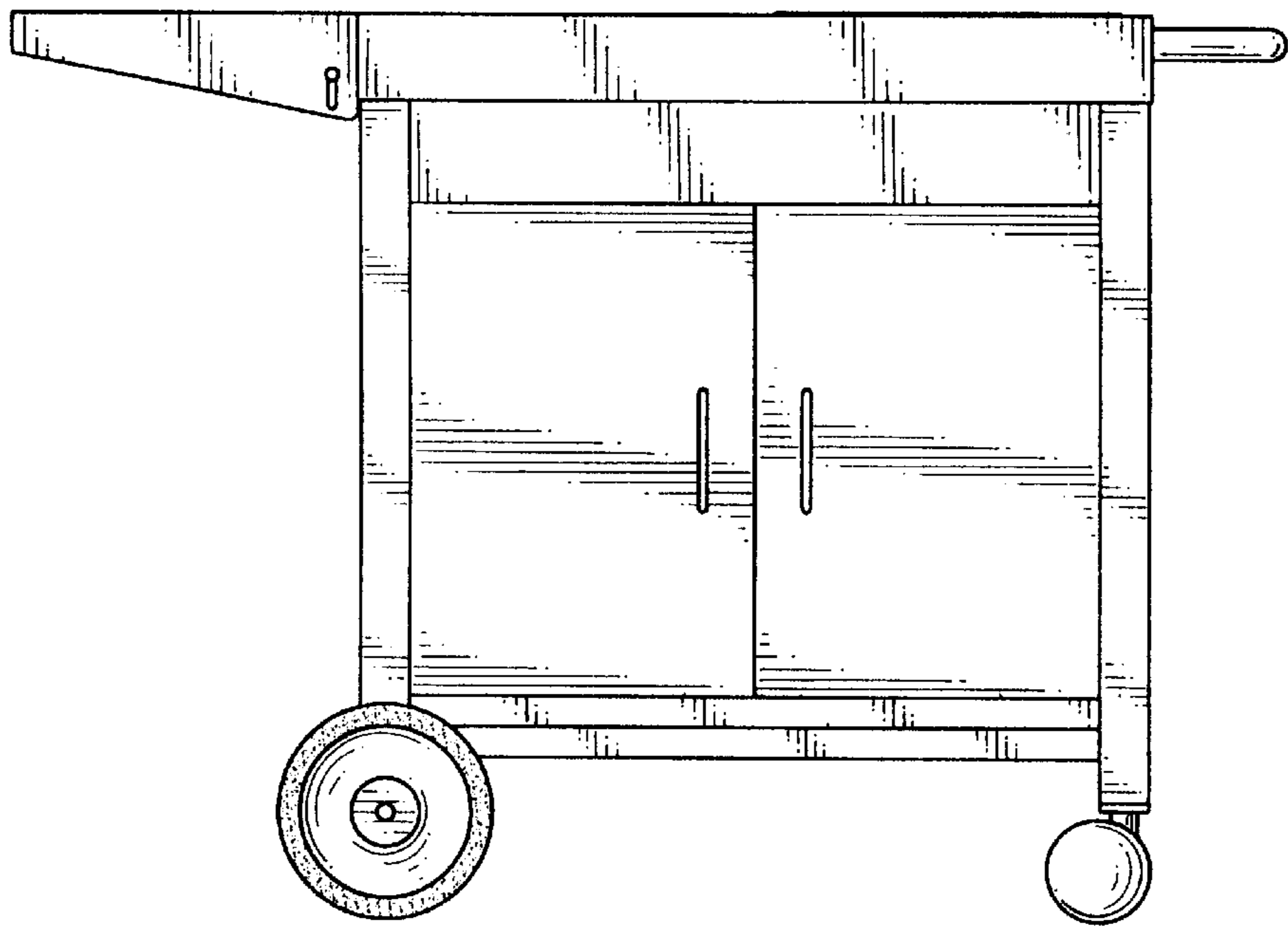


FIG. 2

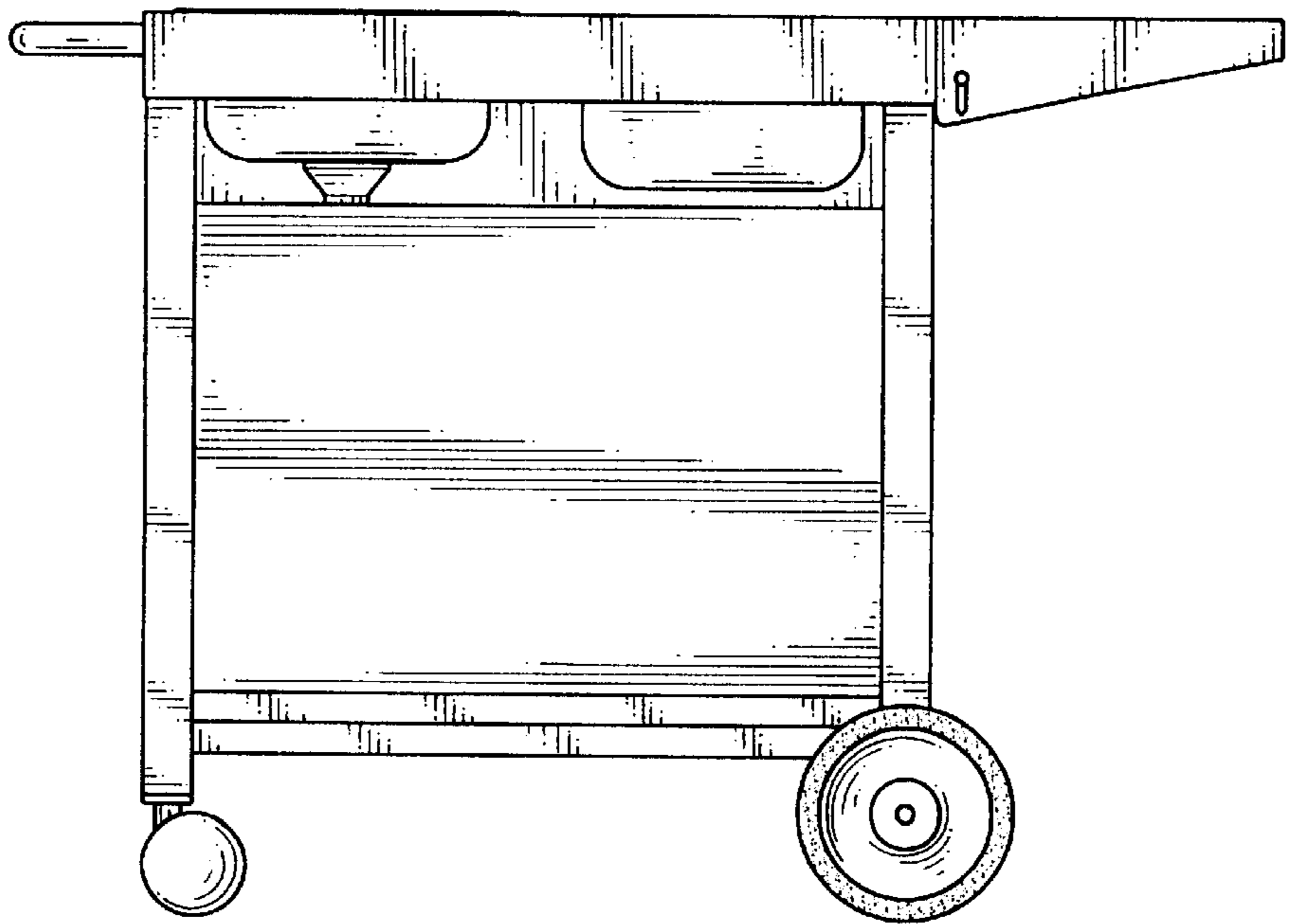


FIG. 3

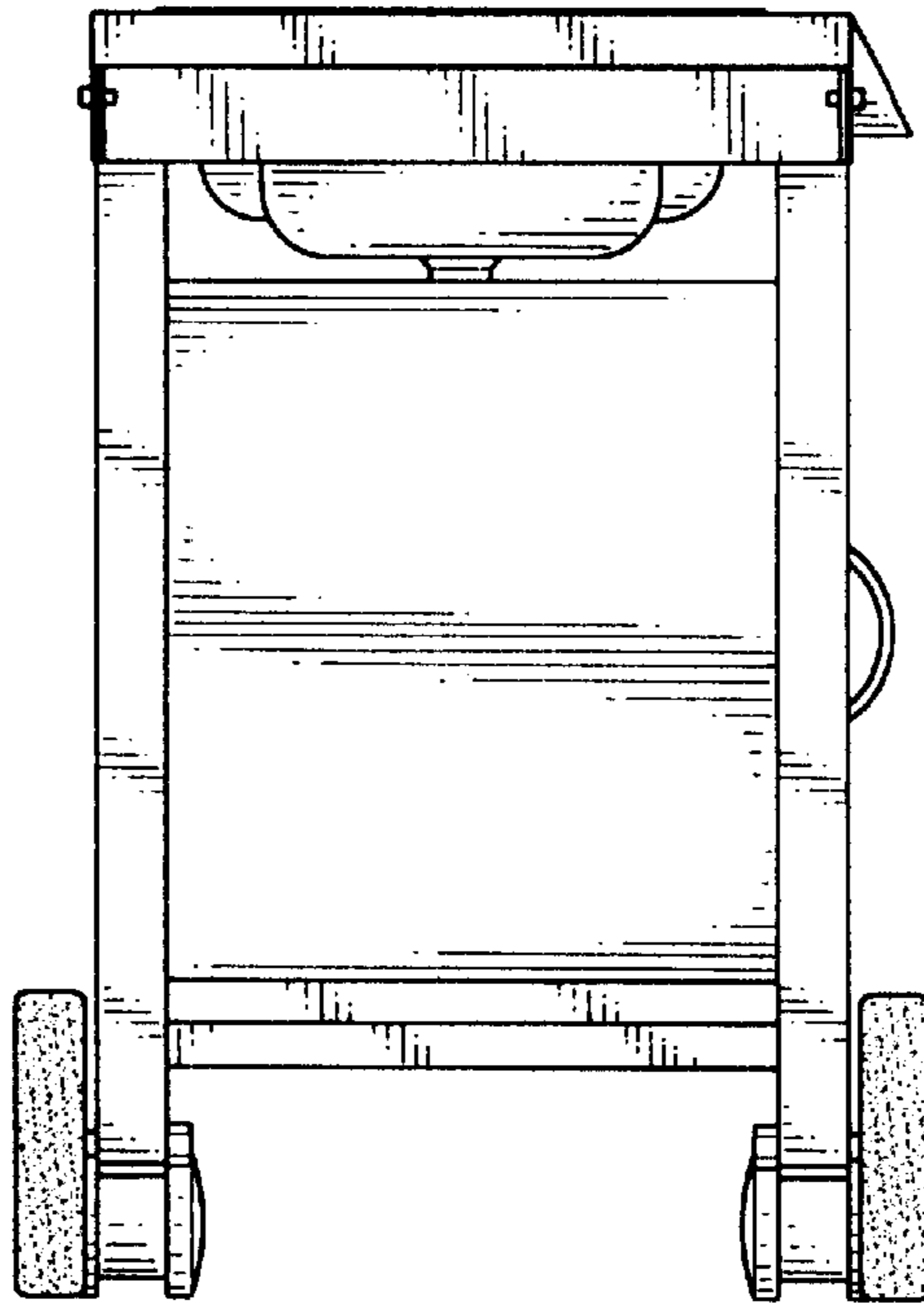


FIG. 4

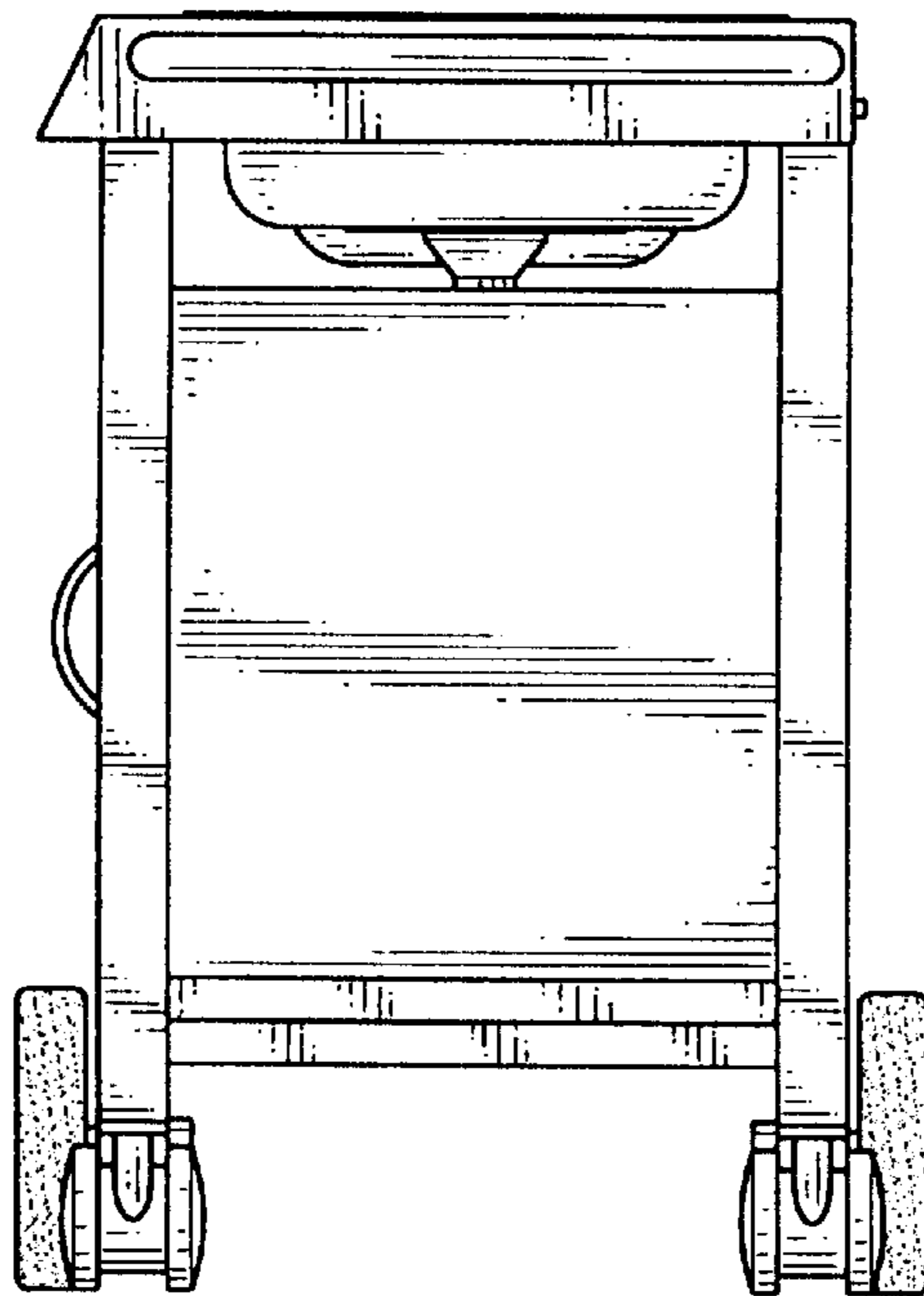


FIG. 5



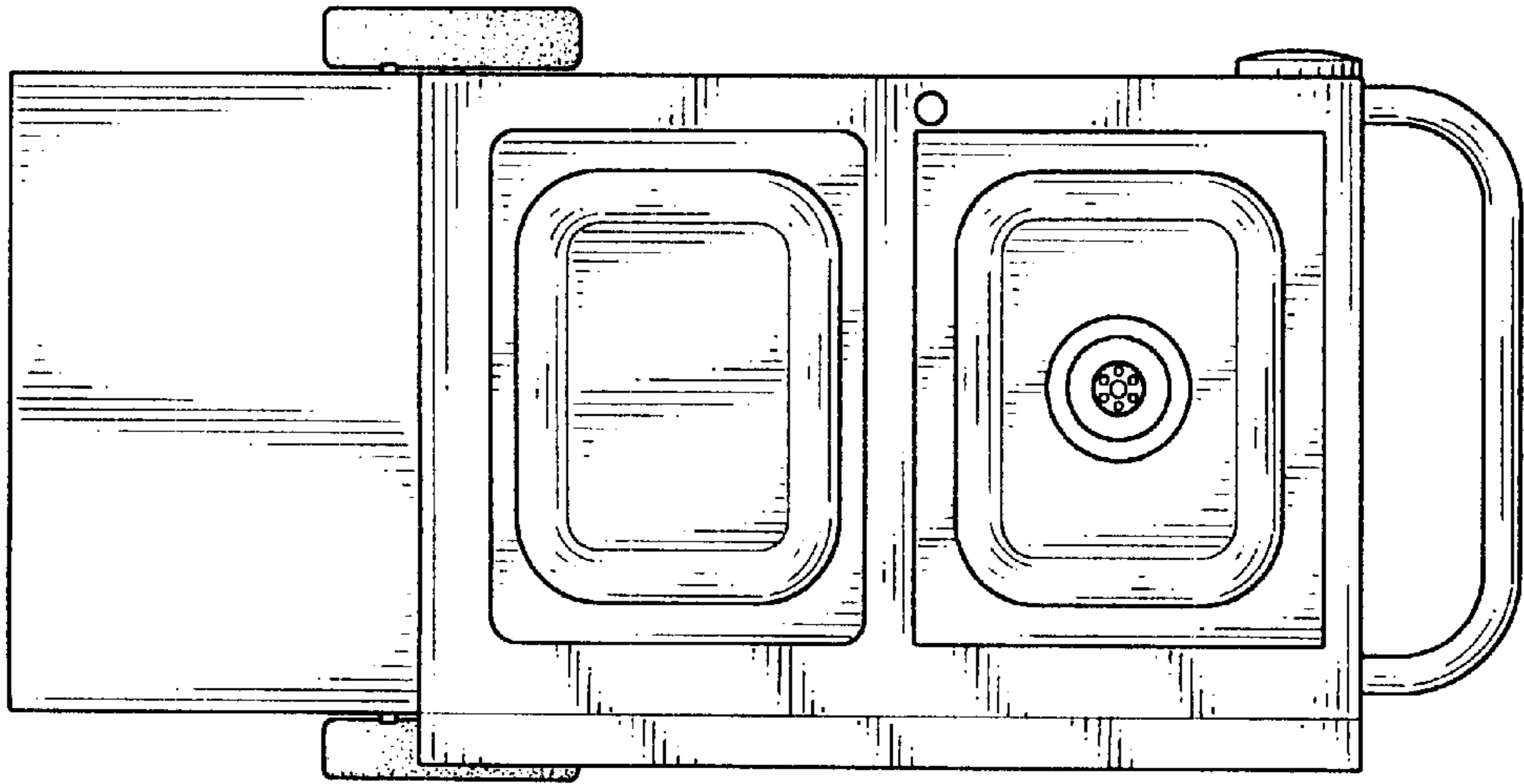


FIG. 6

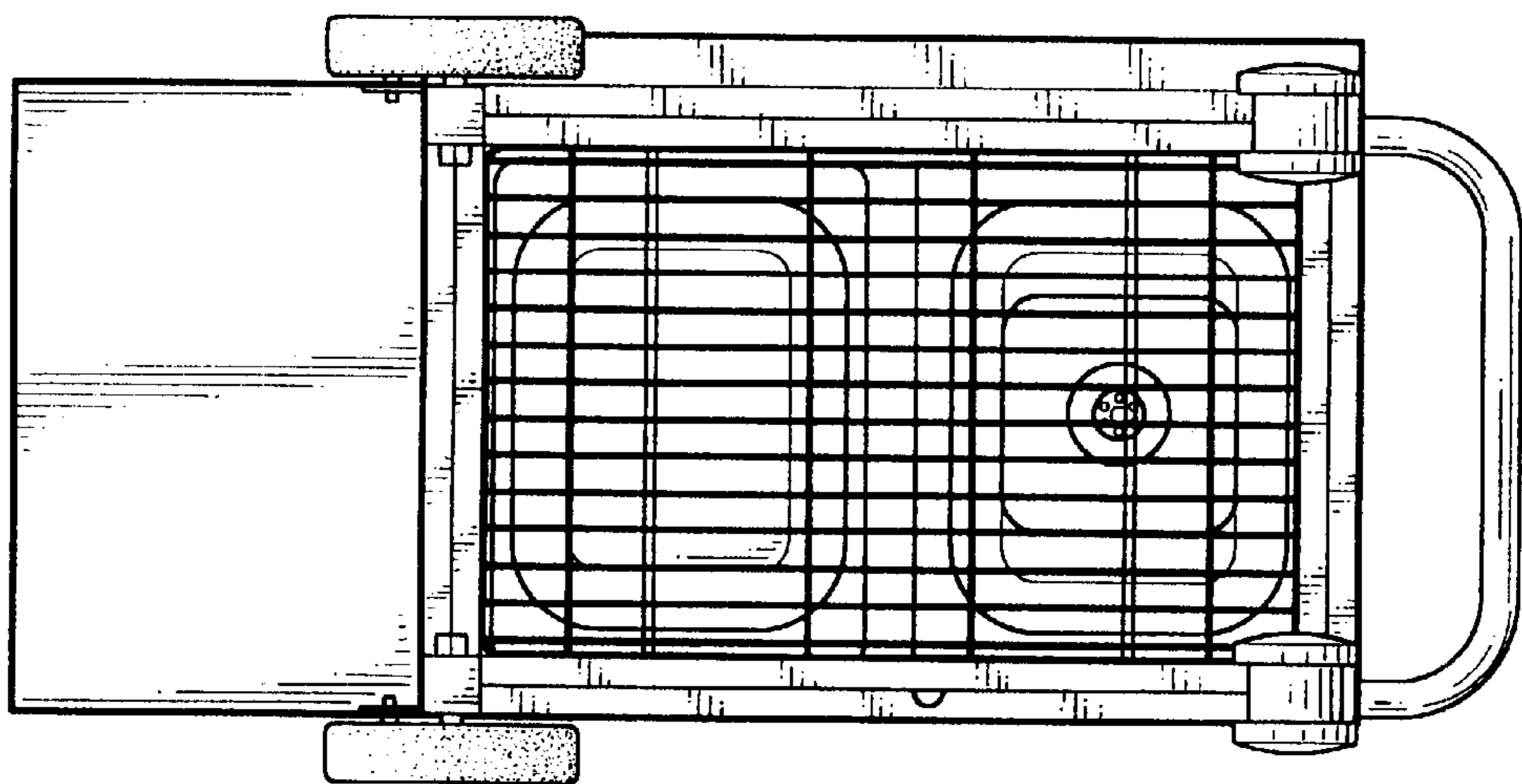


FIG. 7