



US00D463642S

(12) **United States Design Patent**  
**Morad**

(10) **Patent No.:** **US D463,642 S**

(45) **Date of Patent:** **\*\* Sep. 24, 2002**

(54) **DUSTPAN WITH A ROTATABLE VERTICAL HANDLE**

6,023,812 A \* 2/2000 Morad ..... 15/257.7  
D449,911 S \* 10/2001 Goodman ..... D32/74

(75) Inventor: **Fred I. Morad**, Toluca Lake, CA (US)

**FOREIGN PATENT DOCUMENTS**

(73) Assignee: **Worldwide Integrated Resources, Inc.**, Commerce, CA (US)

JP 8-126601 \* 5/1996 ..... A47L/13/52

(\*\*) Term: **14 Years**

\* cited by examiner

(21) Appl. No.: **29/147,590**

*Primary Examiner*—Alan P. Douglas

*Assistant Examiner*—Lavone Tabor

(22) Filed: **Aug. 31, 2001**

(74) *Attorney, Agent, or Firm*—Thomas I. Rozsa; Tony D. Chen

(51) **LOC (7) Cl.** ..... **07-05**

(52) **U.S. Cl.** ..... **D32/74**

(58) **Field of Search** ..... D8/10; D30/162;  
D32/74; 15/257.1, 257.2, 257.3, 257.4,  
257.5, 257.6, 257.7, 257.8, 257.9; 294/1.3,  
1.4, 1.5, 55

(57) **CLAIM**

The ornamental design for a dustpan with a rotatable vertical handle, as shown and described.

**DESCRIPTION**

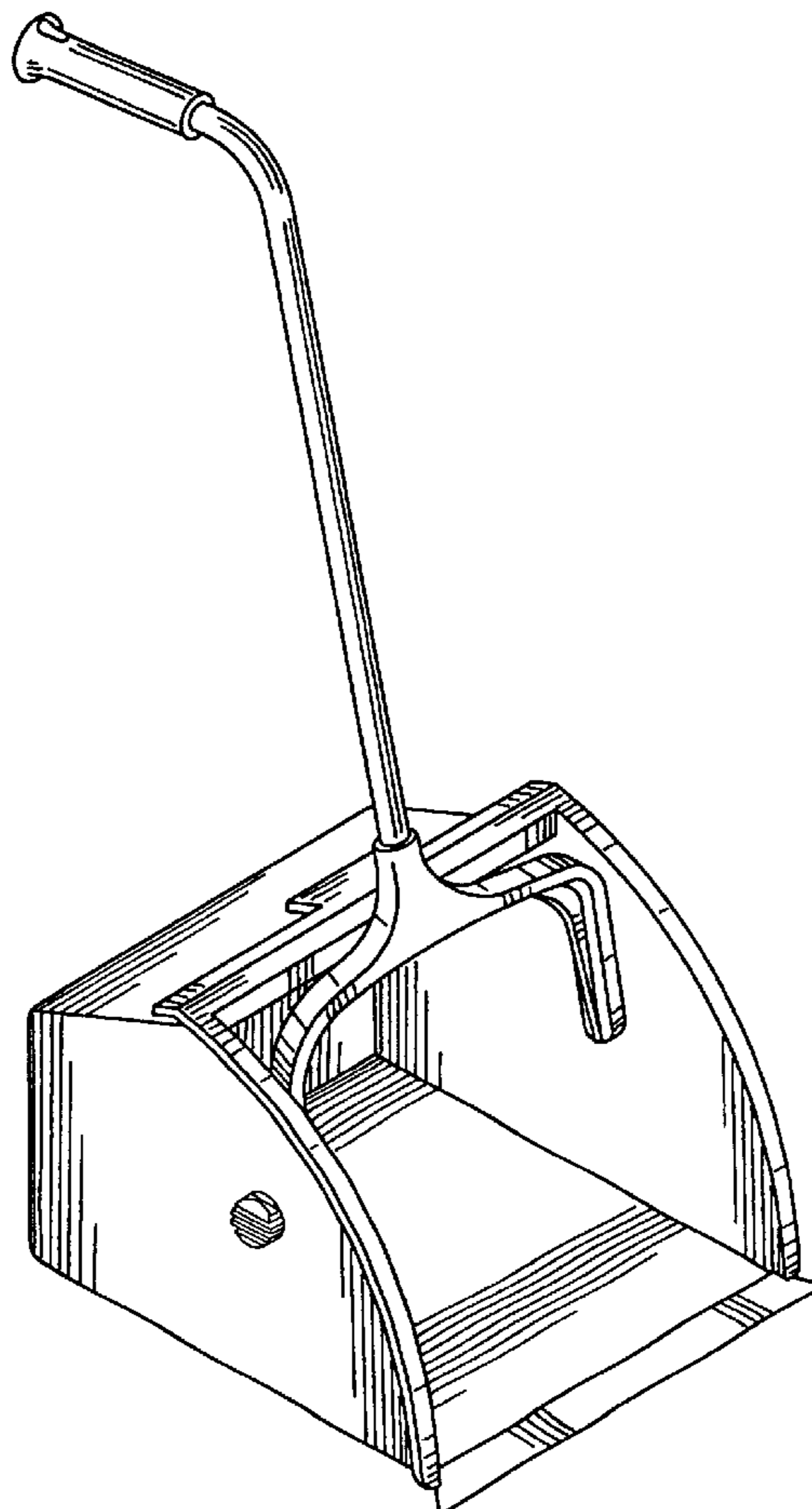
(56) **References Cited**

**U.S. PATENT DOCUMENTS**

1,748,336 A \* 2/1930 Finnell ..... 15/257.3  
3,861,730 A \* 1/1975 Ringo ..... 15/257.1 X  
D280,456 S \* 9/1985 Malone ..... D32/74  
D342,358 S \* 12/1993 Castro et al. .... D32/74  
5,343,589 A \* 9/1994 Davenport ..... 15/257.4

FIG. 1 is a perspective view of a dustpan with a rotatable vertical handle, showing my new design;  
FIG. 2 is a top plan view thereof;  
FIG. 3 is a bottom plan view thereof;  
FIG. 4 is a front elevational view thereof;  
FIG. 5 is a rear elevational view thereof; and,  
FIG. 6 is a side elevational view thereof, the other side being a mirror image.

**1 Claim, 2 Drawing Sheets**



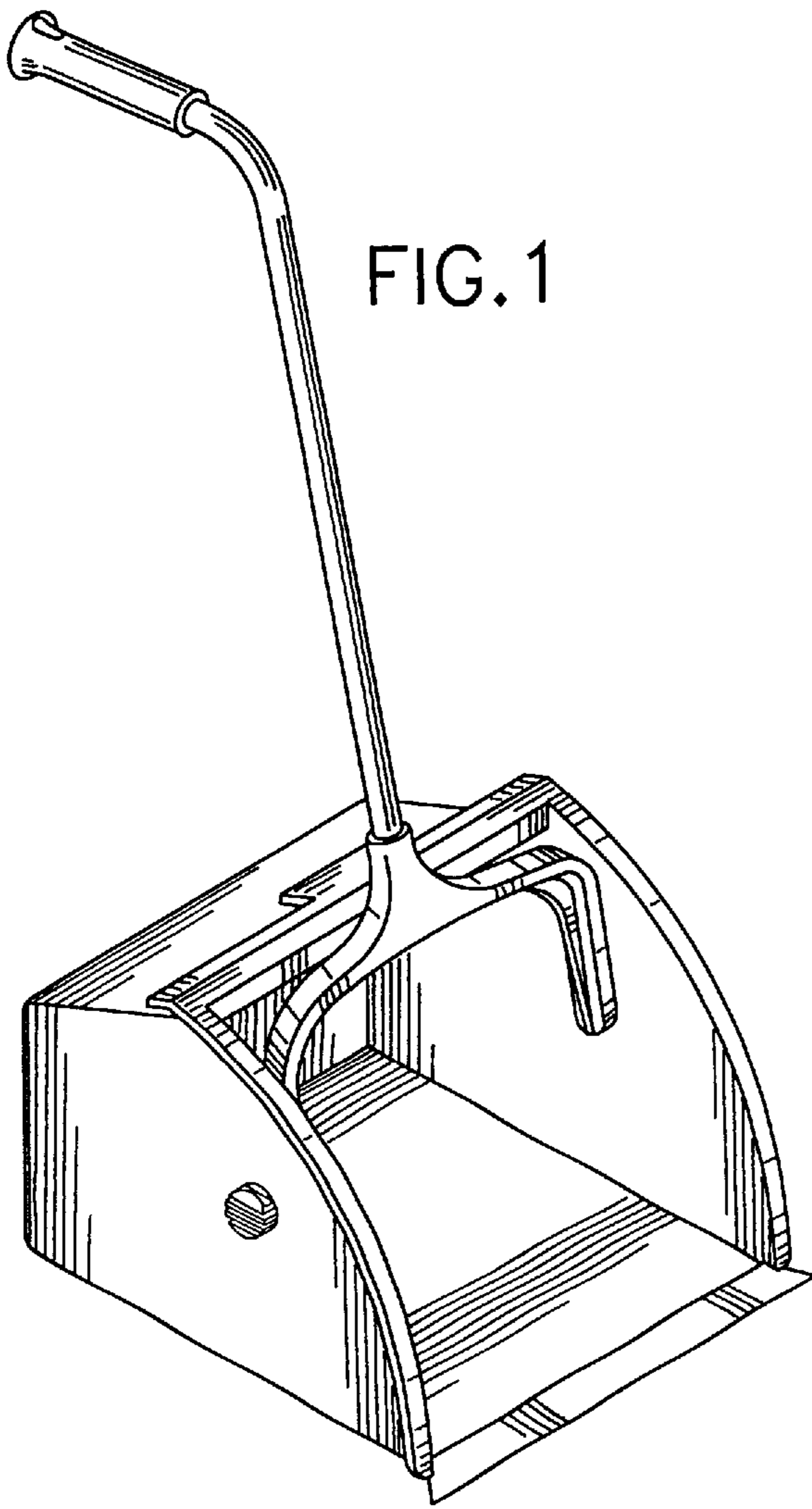


FIG. 1

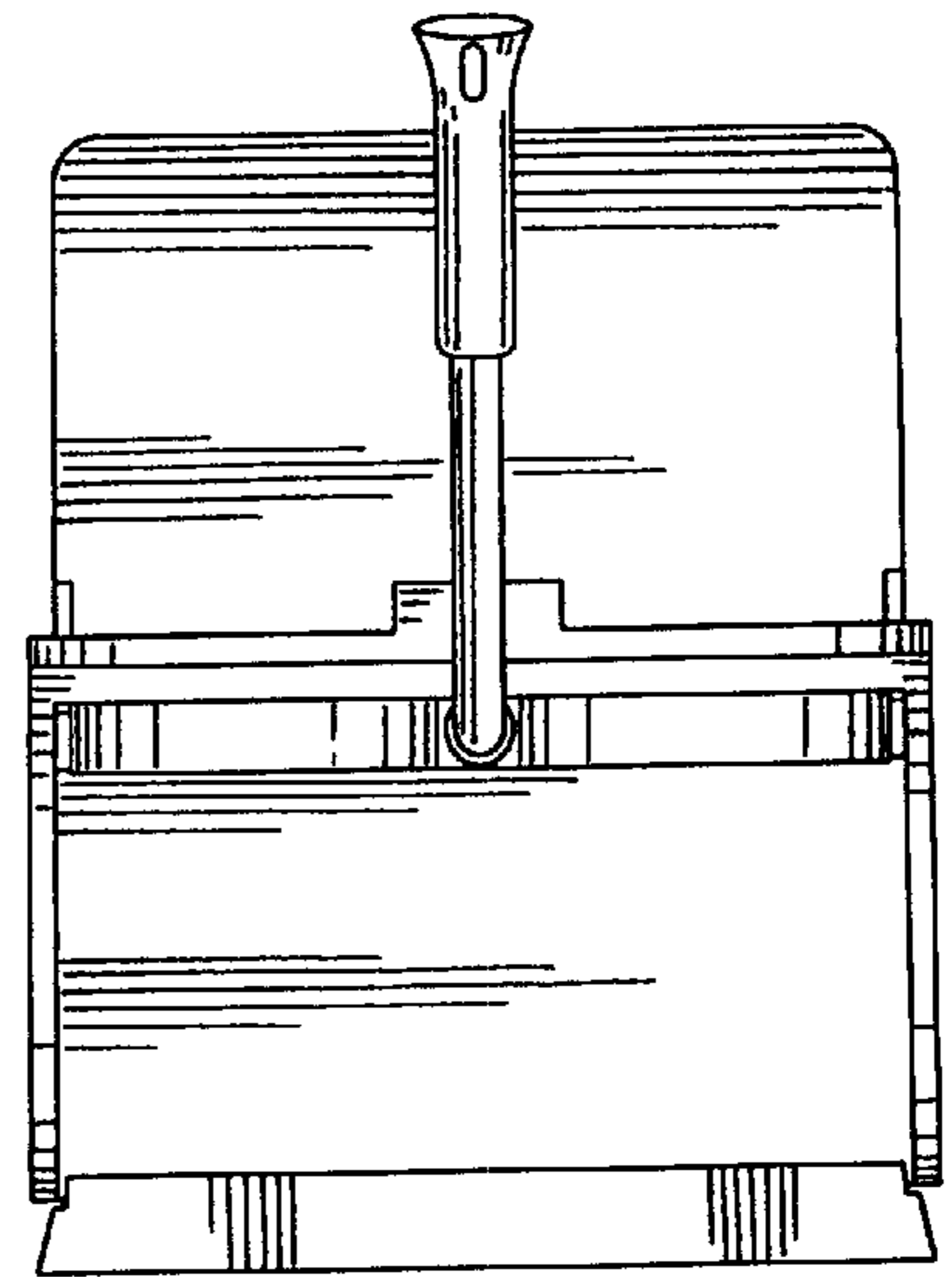


FIG. 2

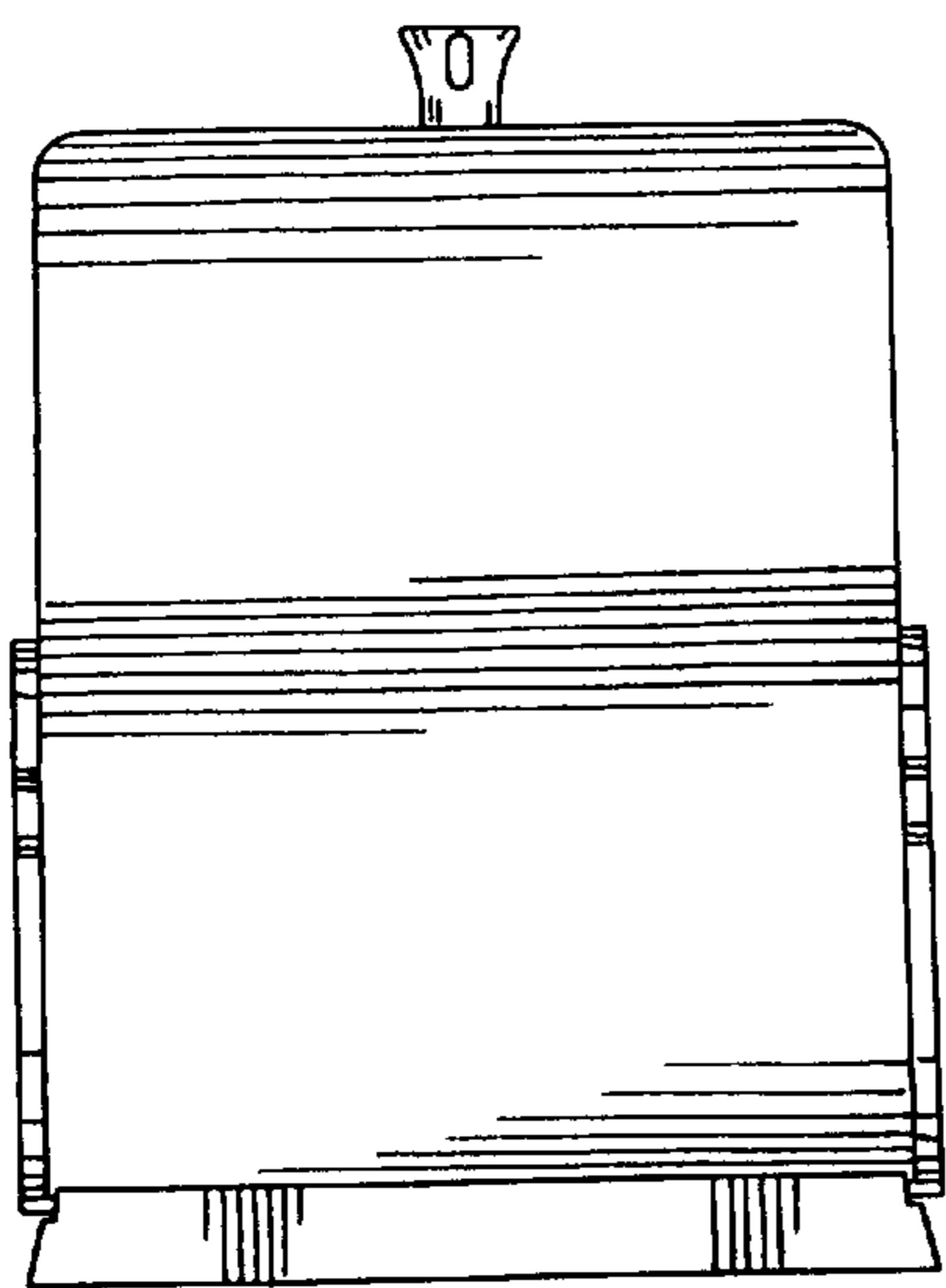


FIG. 3

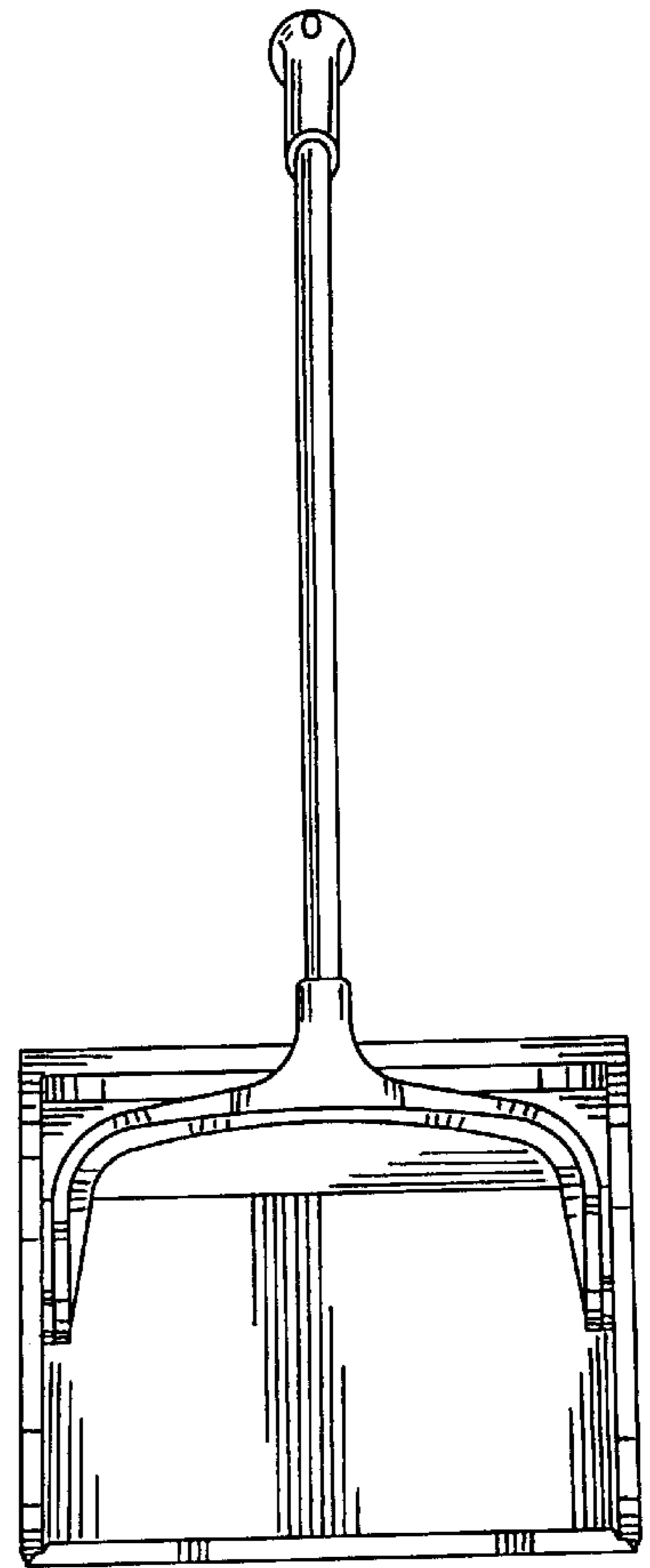


FIG. 4

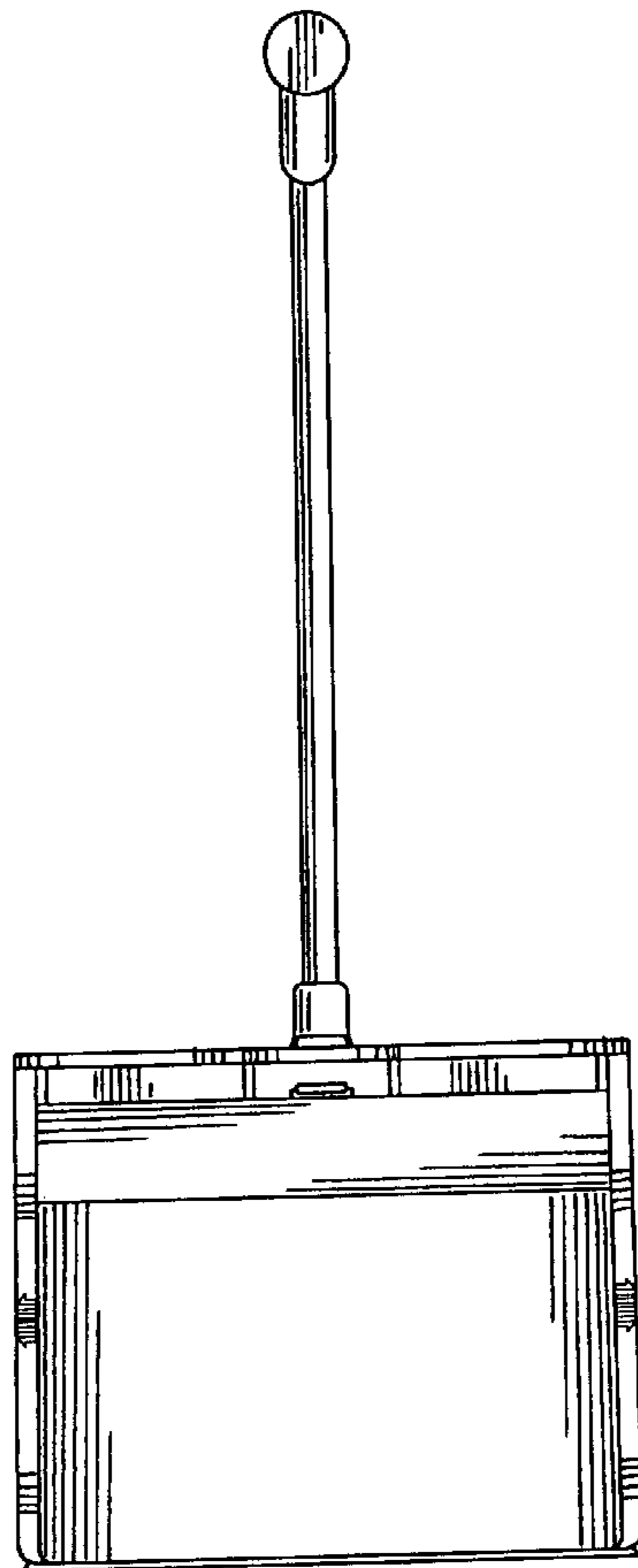


FIG. 5

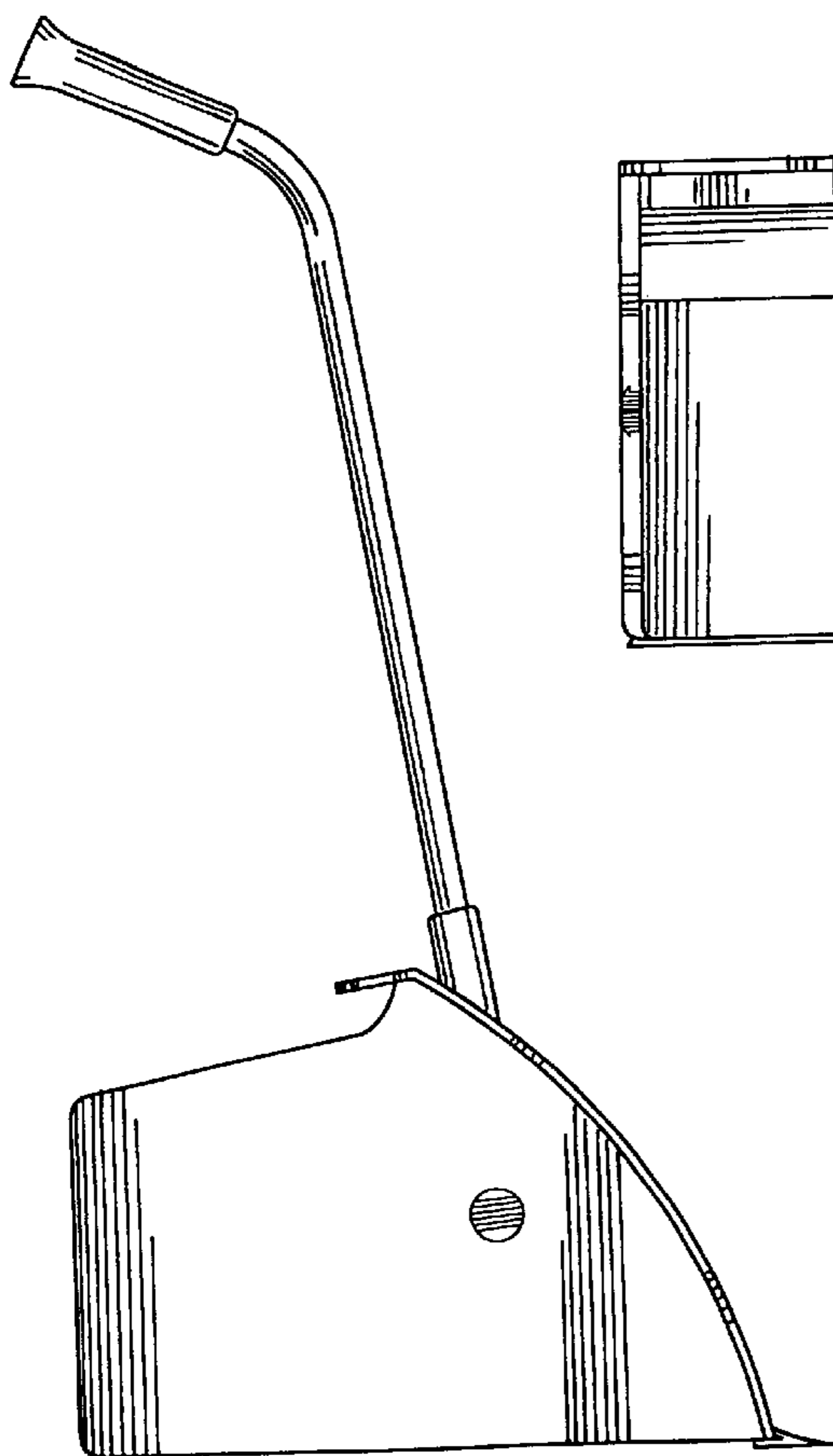


FIG. 6