



US00D463639S

(12) **United States Design Patent**
Panfili et al.

(10) **Patent No.:** **US D463,639 S**

(45) **Date of Patent:** **** Sep. 24, 2002**

(54) **ERGONOMIC BLADE SCRAPER**

(75) Inventors: **François Panfili**, Berthierville (CA);
Jean-Pierre Panfili, Berthierville (CA)

(73) Assignee: **A. Richard Ltée**, Berthierville (CA)

(**) Term: **14 Years**

(21) Appl. No.: **29/152,540**

(22) Filed: **Dec. 24, 2001**

(51) **LOC (7) Cl.** **08-99**

(52) **U.S. Cl.** **D32/48**

(58) **Field of Search** 15/236.01, 236.02,
15/236.05, 236.09; 30/151, 169, 337; D32/48,
40, 46; D8/99

(56) **References Cited**

U.S. PATENT DOCUMENTS

4,558,517	A	*	12/1985	Gringer	15/236.01
D282,881	S	*	3/1986	Gringer	D32/48
D346,319	S		4/1994	Lavallee et al.	D8/99
5,433,004	A	*	7/1995	Thompson et al.	30/169

* cited by examiner

Primary Examiner—Jennifer Rivard
(74) *Attorney, Agent, or Firm*—Collard & Roe, P.C.

(57) **CLAIM**

The ornamental design for an ergonomic blade scraper, as shown and described.

DESCRIPTION

FIG. 1 is a top perspective view of an ergonomic blade scraper showing our new design.

FIG. 2 is a bottom perspective view thereof.

FIG. 3 is a top plan view thereof.

FIG. 4 is a bottom plan view thereof.

FIG. 5 is a right elevational side view thereof.

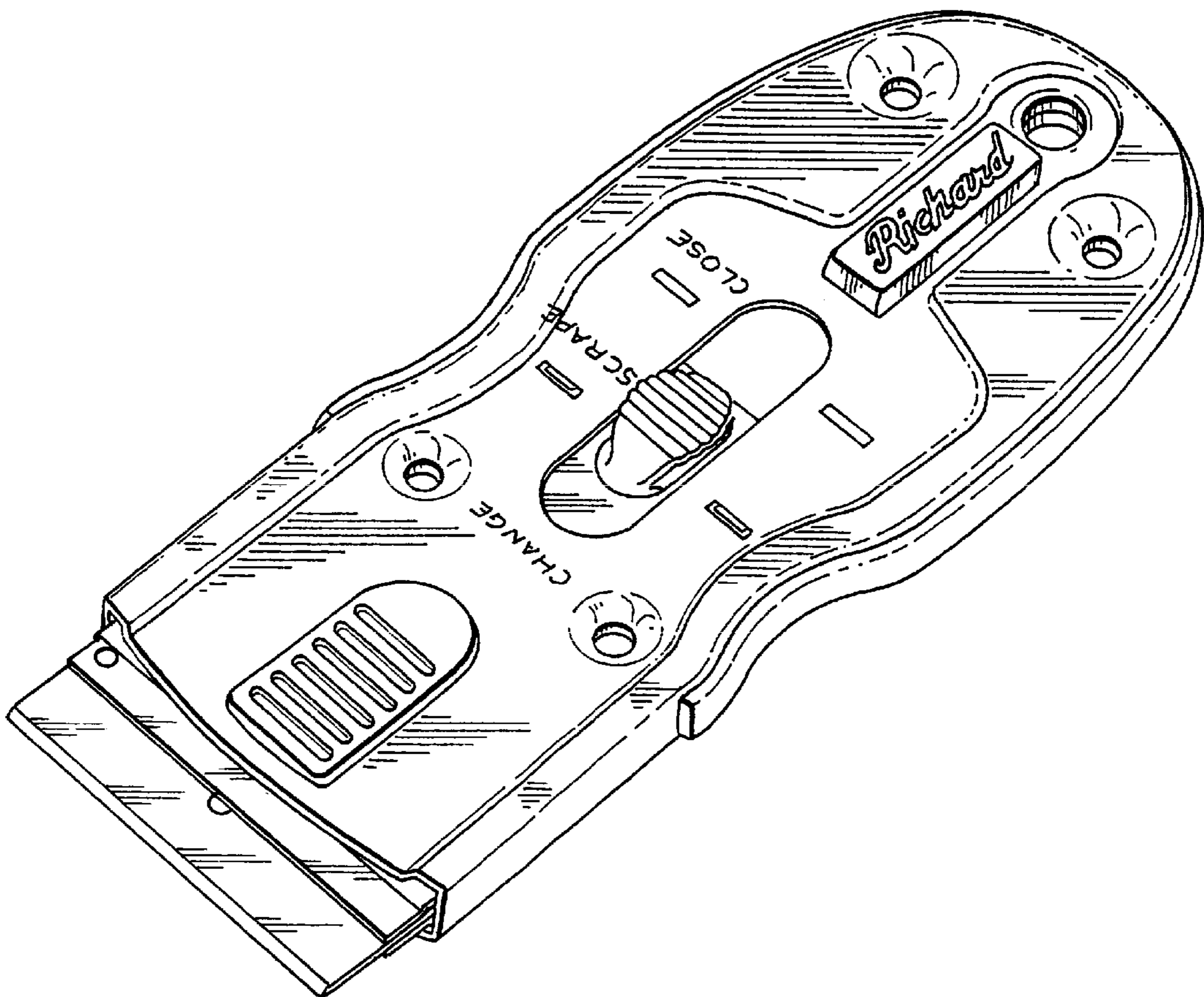
FIG. 6 is a left elevational side view thereof.

FIG. 7 is a front elevational view thereof.

FIG. 8 is a rear elevational view thereof; and,

FIG. 9 is a top perspective view thereof, the ergonomic blade scraper being shown with its blade in a scraping position.

1 Claim, 8 Drawing Sheets



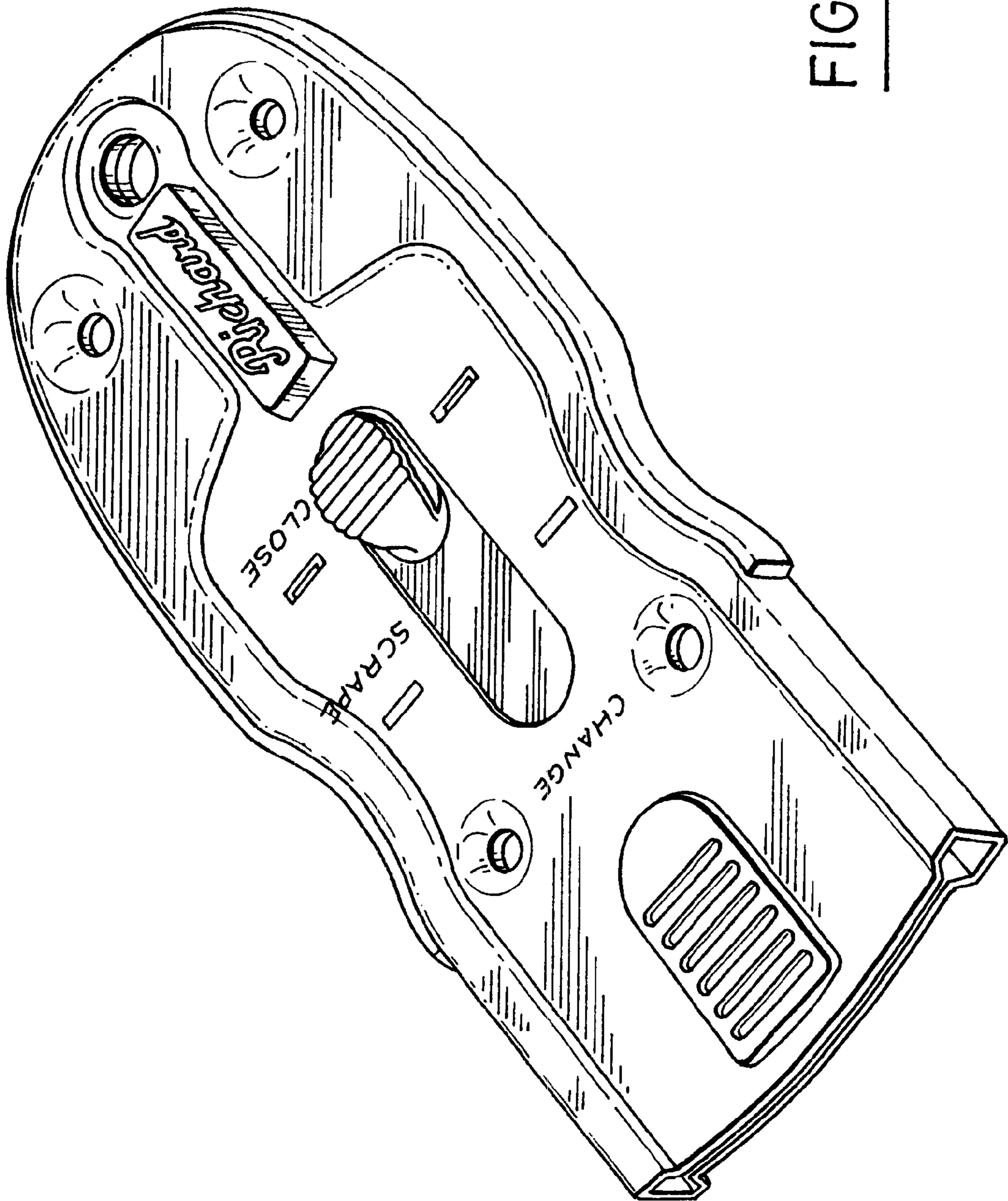


FIG. 1

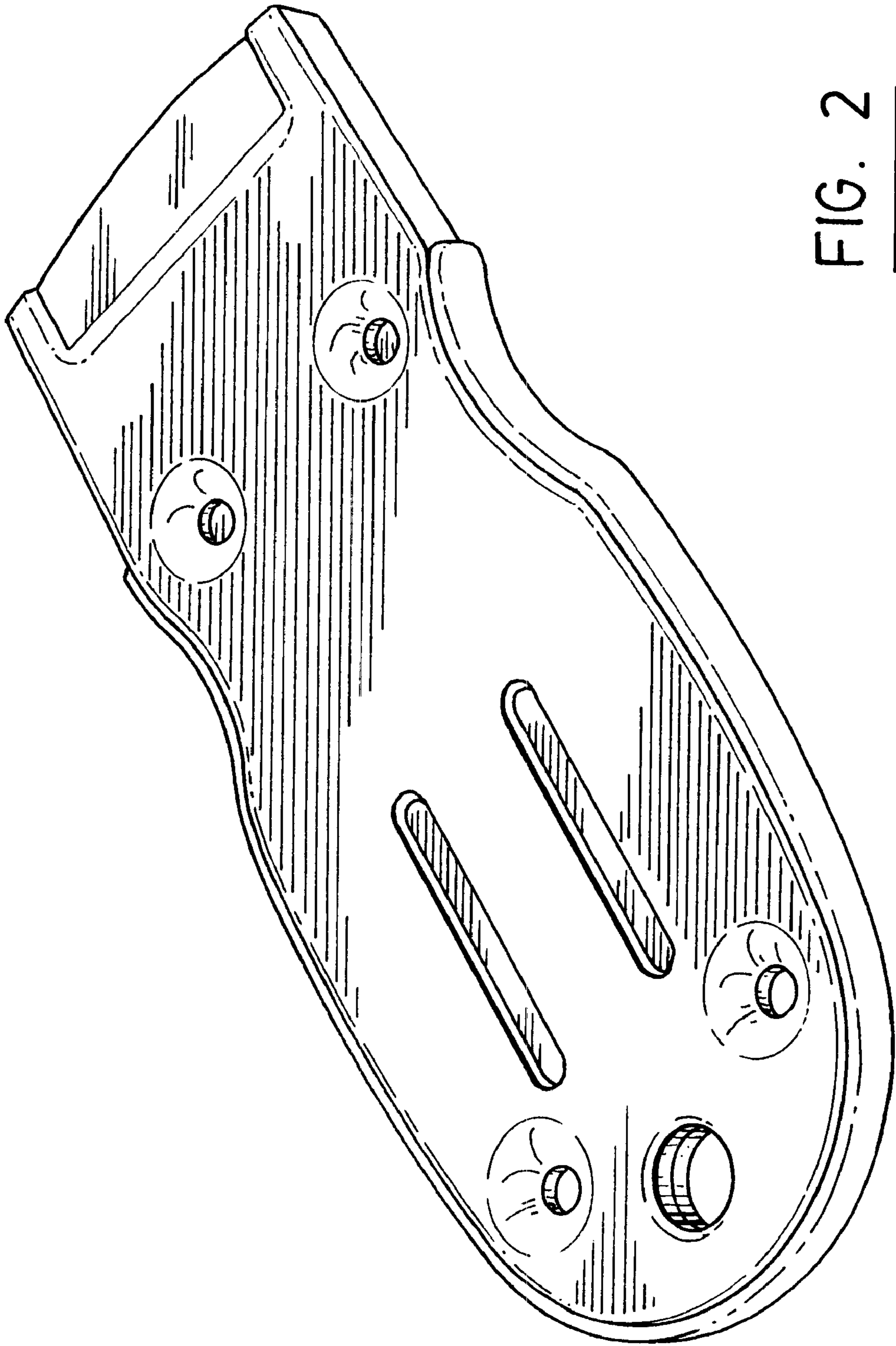


FIG. 2

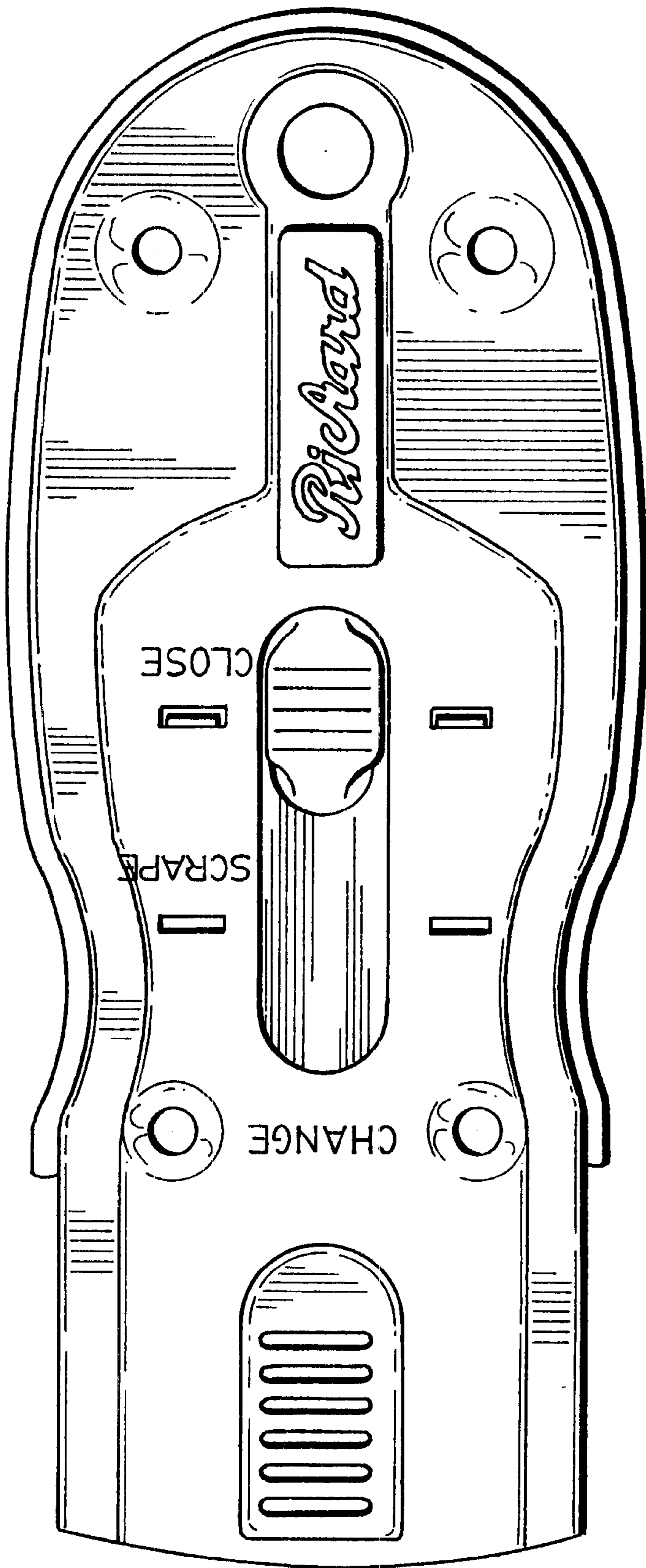


FIG. 3

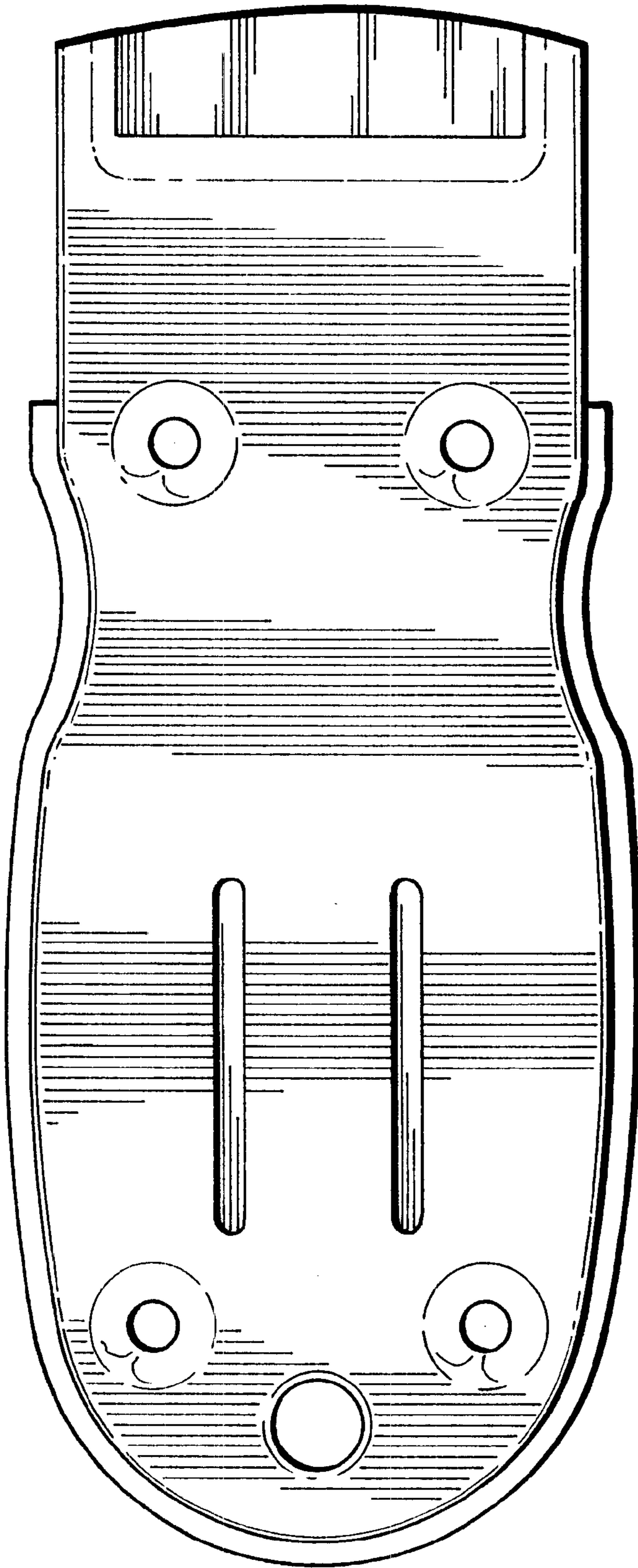


FIG. 4



FIG. 5

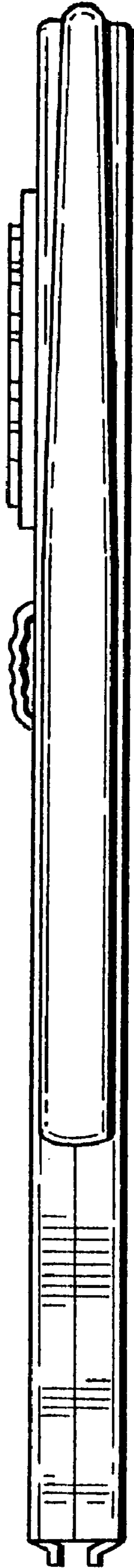


FIG. 6



FIG. 7

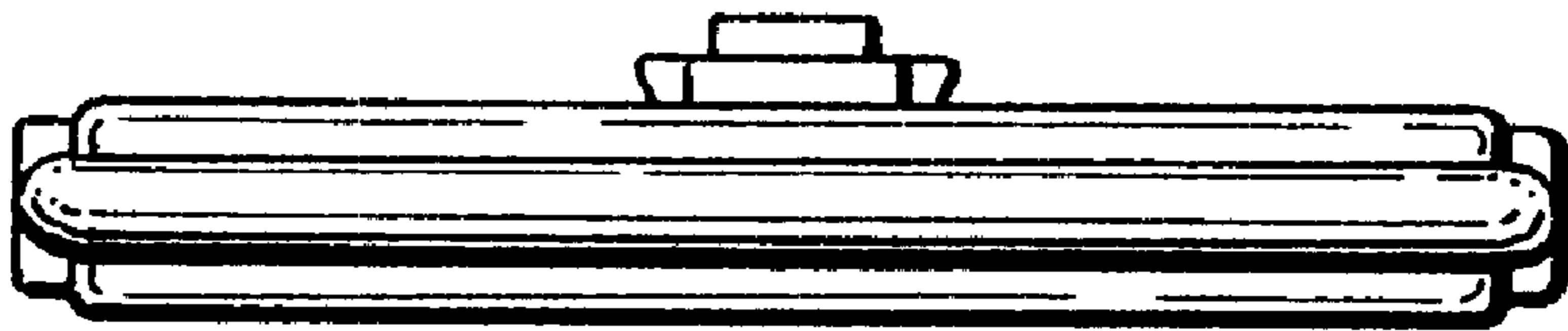


FIG. 8

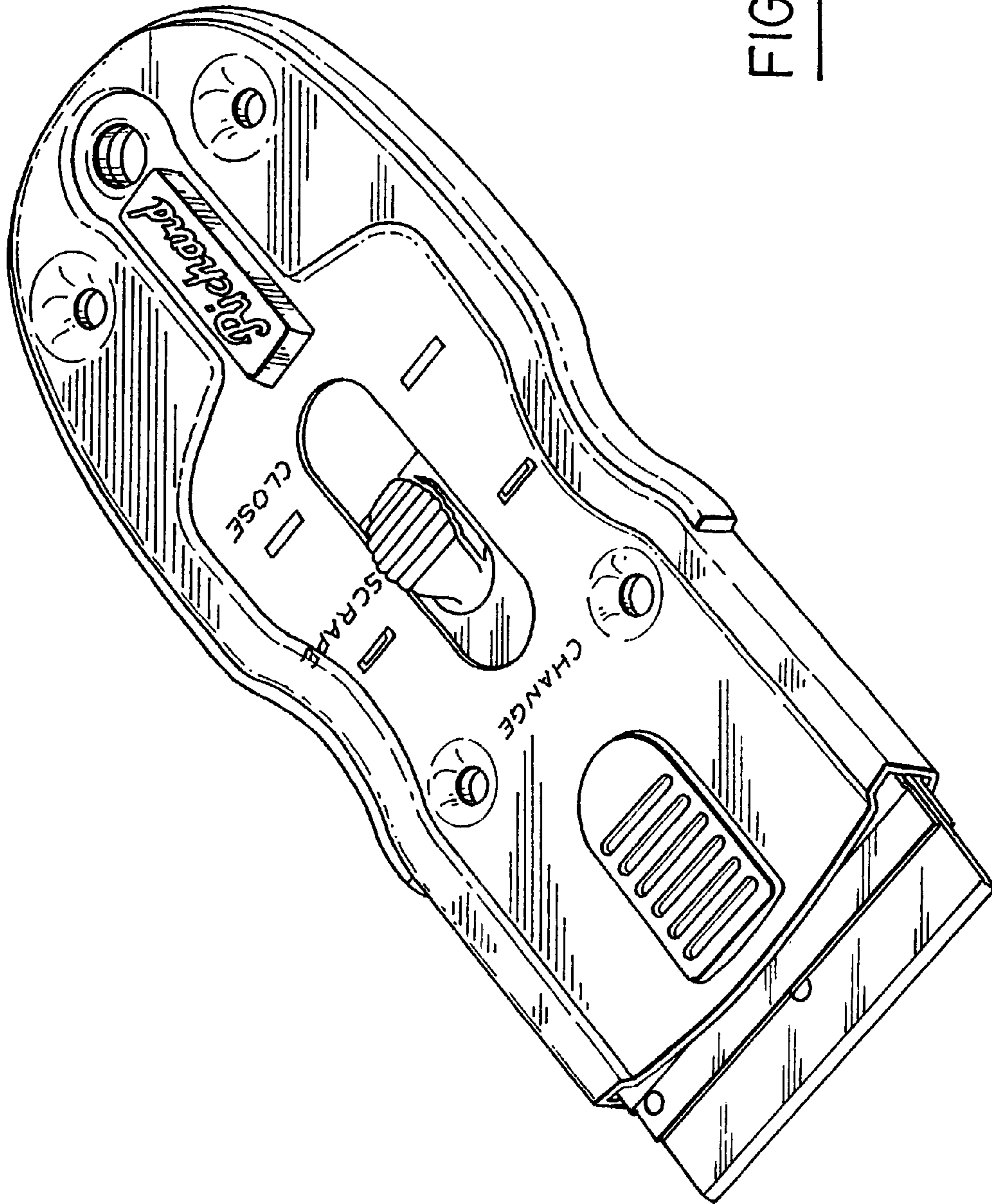


FIG. 9