



US00D463637S

(12) **United States Design Patent**
Walker

(10) **Patent No.:** **US D463,637 S**

(45) **Date of Patent:** **** Sep. 24, 2002**

(54) **HAMPER**

3,842,222 A * 10/1974 Berkun 312/265.2
D353,237 S * 12/1994 Banker D32/37

(75) Inventor: **David Walker**, Chester, PA (US)

* cited by examiner

(73) Assignee: **Zenith Products Corp.**, New Castle, DE (US)

Primary Examiner—Alan P. Douglas

Assistant Examiner—Lavone Tabor

(**) Term: **14 Years**

(74) *Attorney, Agent, or Firm*—Edgar A. Zarins; Lloyd D. Doigan

(21) Appl. No.: **29/152,247**

(57) **CLAIM**

(22) Filed: **Oct. 30, 2001**

The ornamental design for a hamper, as shown and described.

(51) **LOC (7) Cl.** **07-07**

(52) **U.S. Cl.** **D32/37**

(58) **Field of Search** D32/37; 220/669-671,
220/810, 829-833, 908, 909, 913; 232/18,
43.2; 312/265.2, 278, 213; D34/1, 7; D3/294;
D6/432, 437, 448, 559

DESCRIPTION

(56) **References Cited**

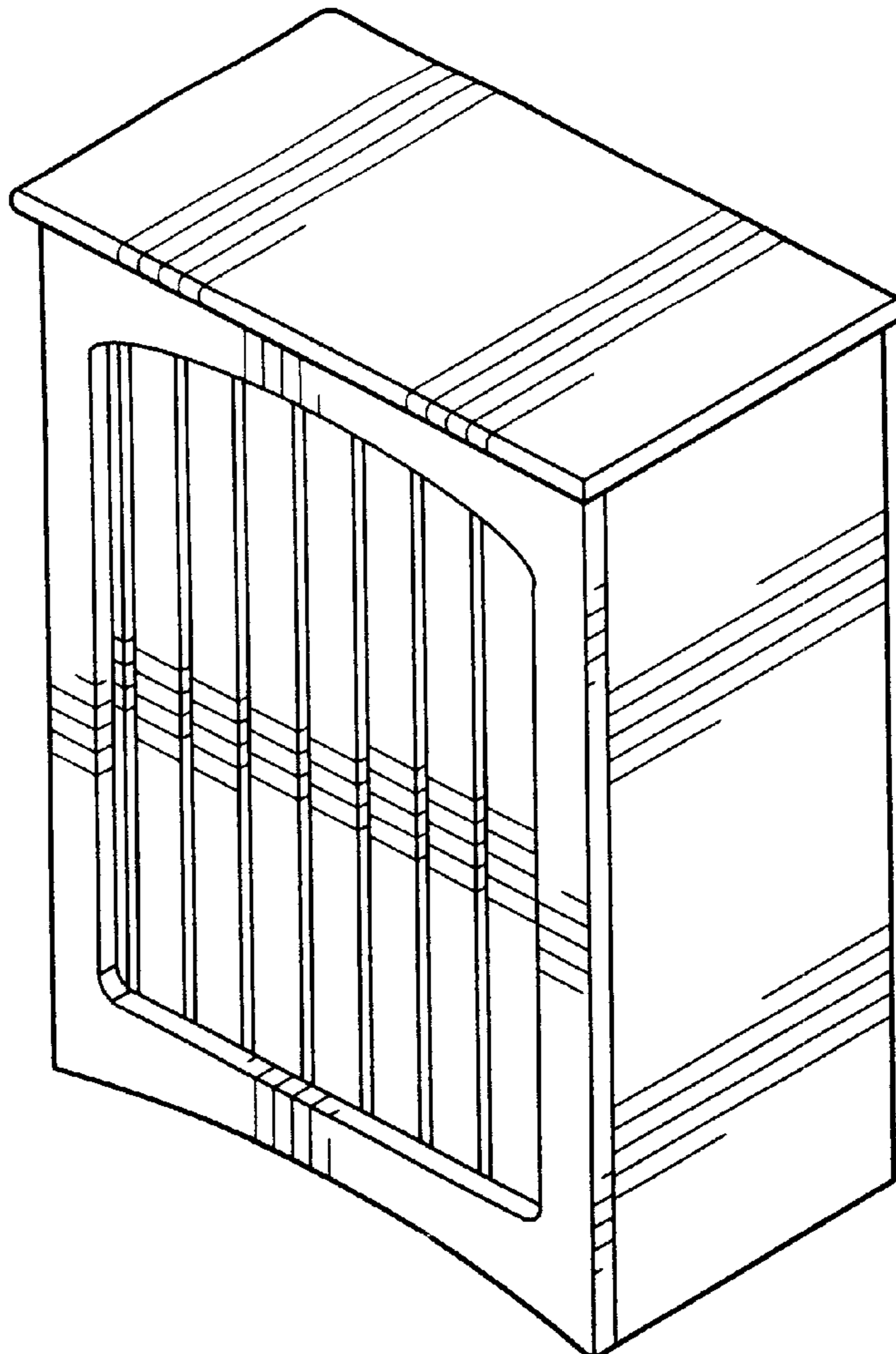
U.S. PATENT DOCUMENTS

D147,425 S * 10/1947 Gleitsman D32/37
D187,301 S * 2/1960 Benjamin D32/37
3,759,412 A * 9/1973 Bush

FIG. 1 is a top perspective view of a hamper showing my new design;
FIG. 2 is a front elevational view thereof;
FIG. 3 is a top plan view thereof;
FIG. 4 is a left side view thereof;
FIG. 5 is a right side view thereof; and,
FIG. 6 is a bottom plan view thereof.

The broken lines are for illustrative purposes only and form no part of the claimed design.

1 Claim, 3 Drawing Sheets



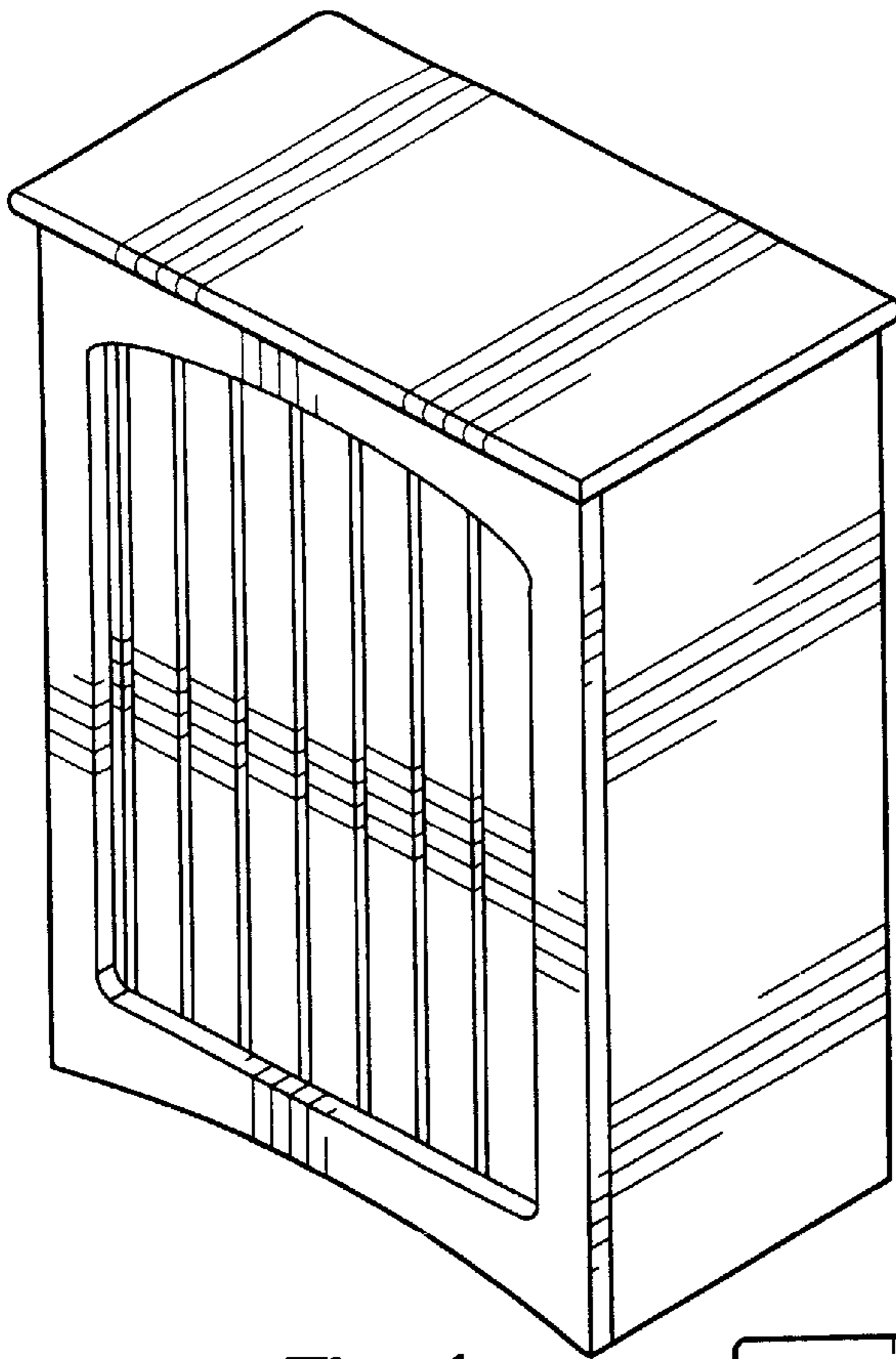


Fig-1

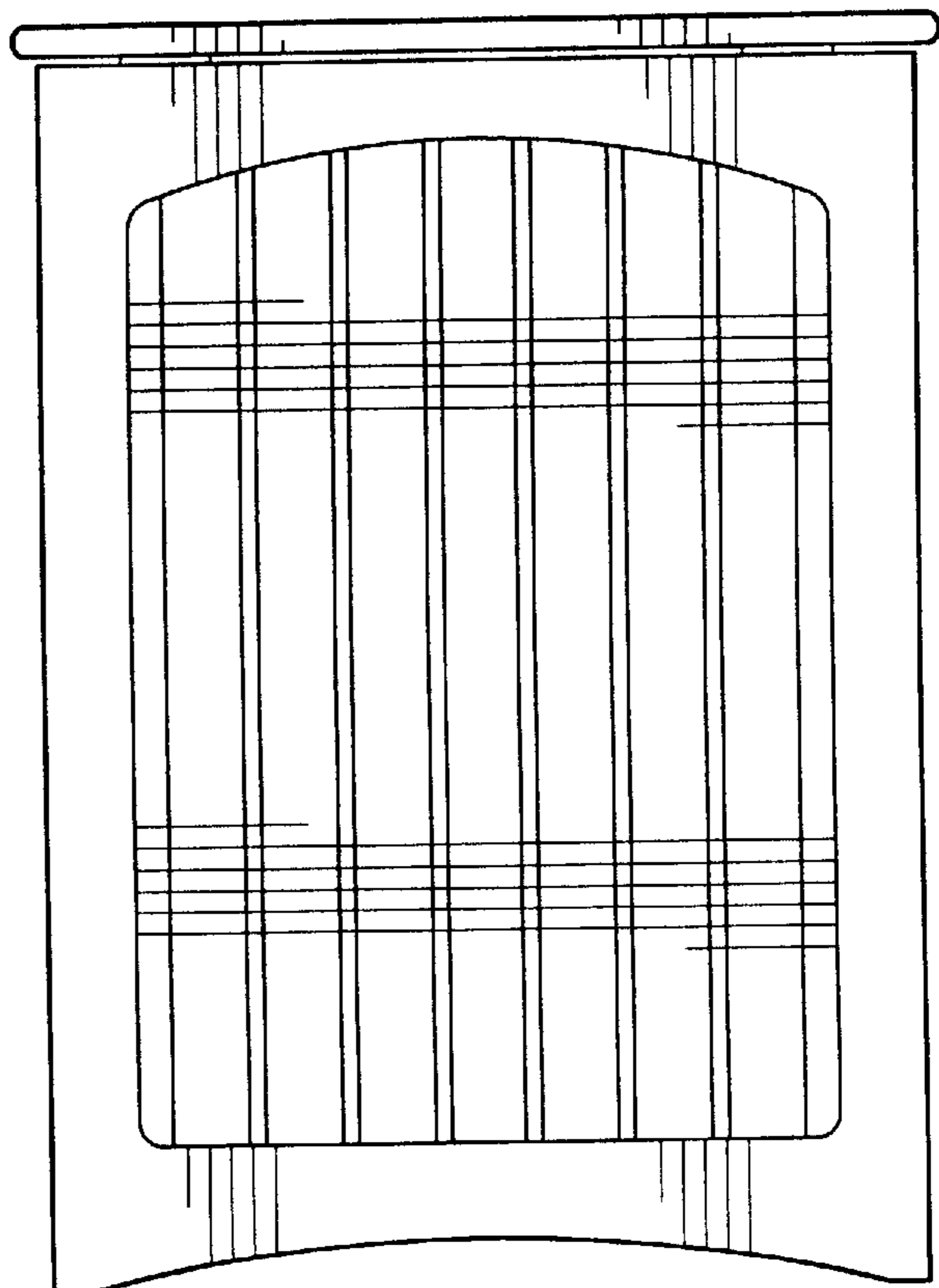


Fig-2

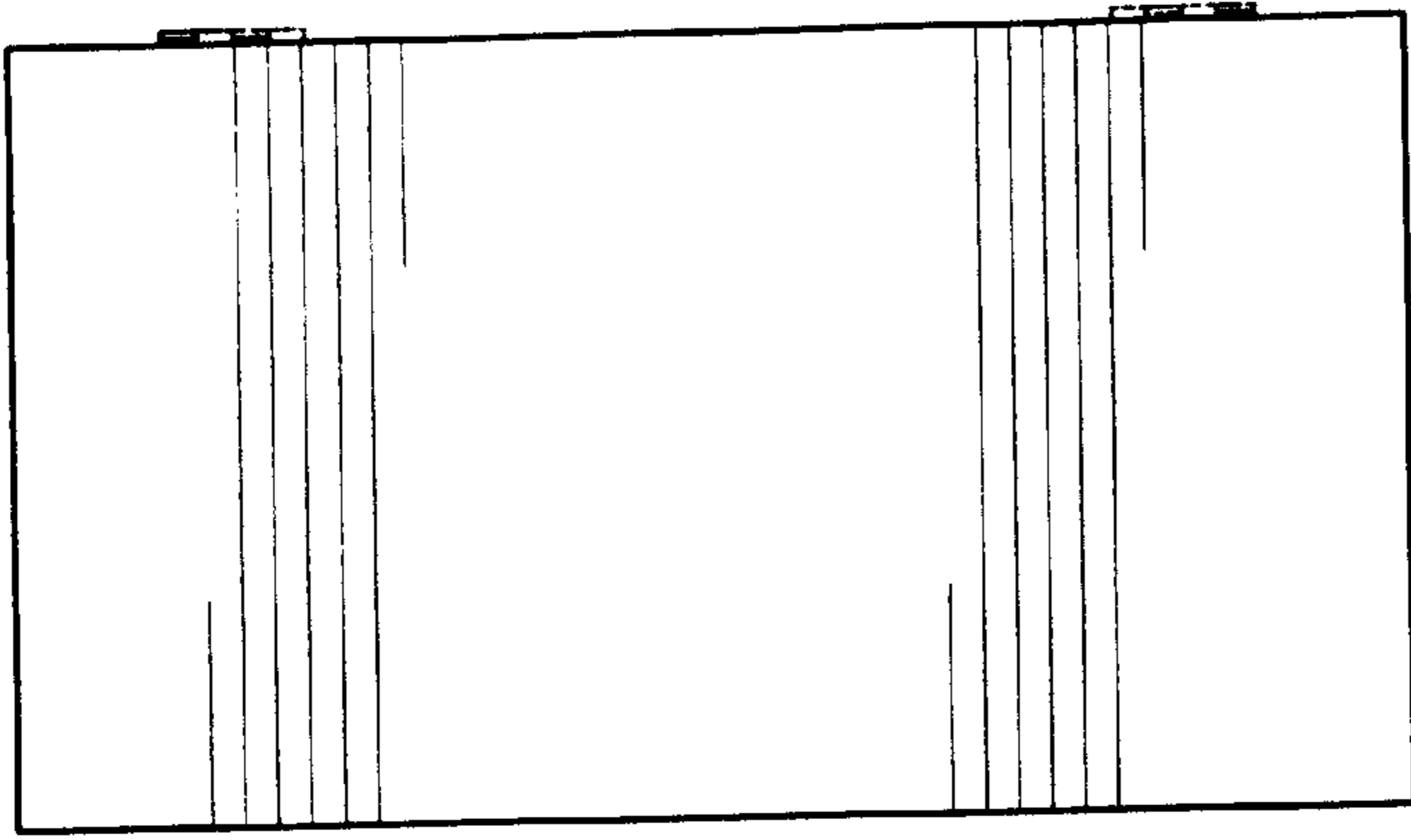


Fig-3

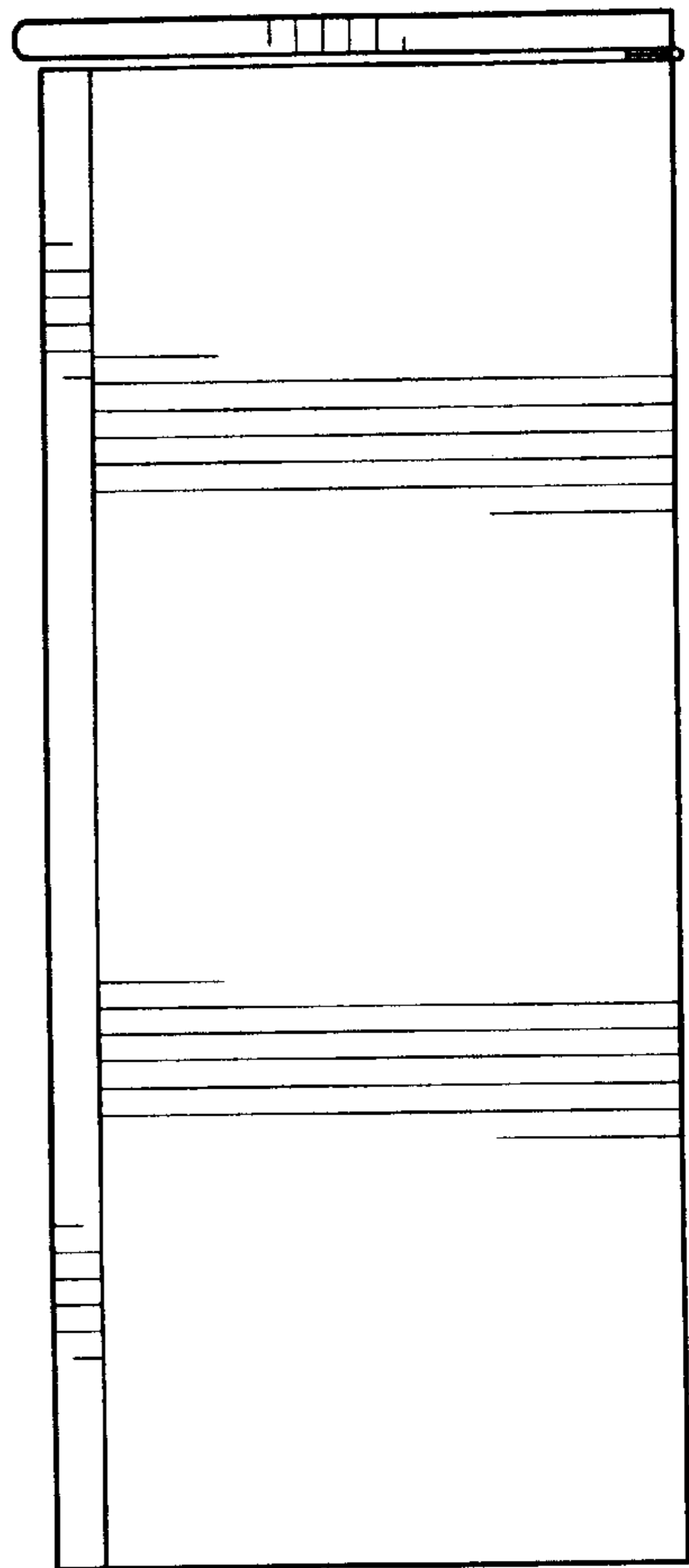


Fig-4

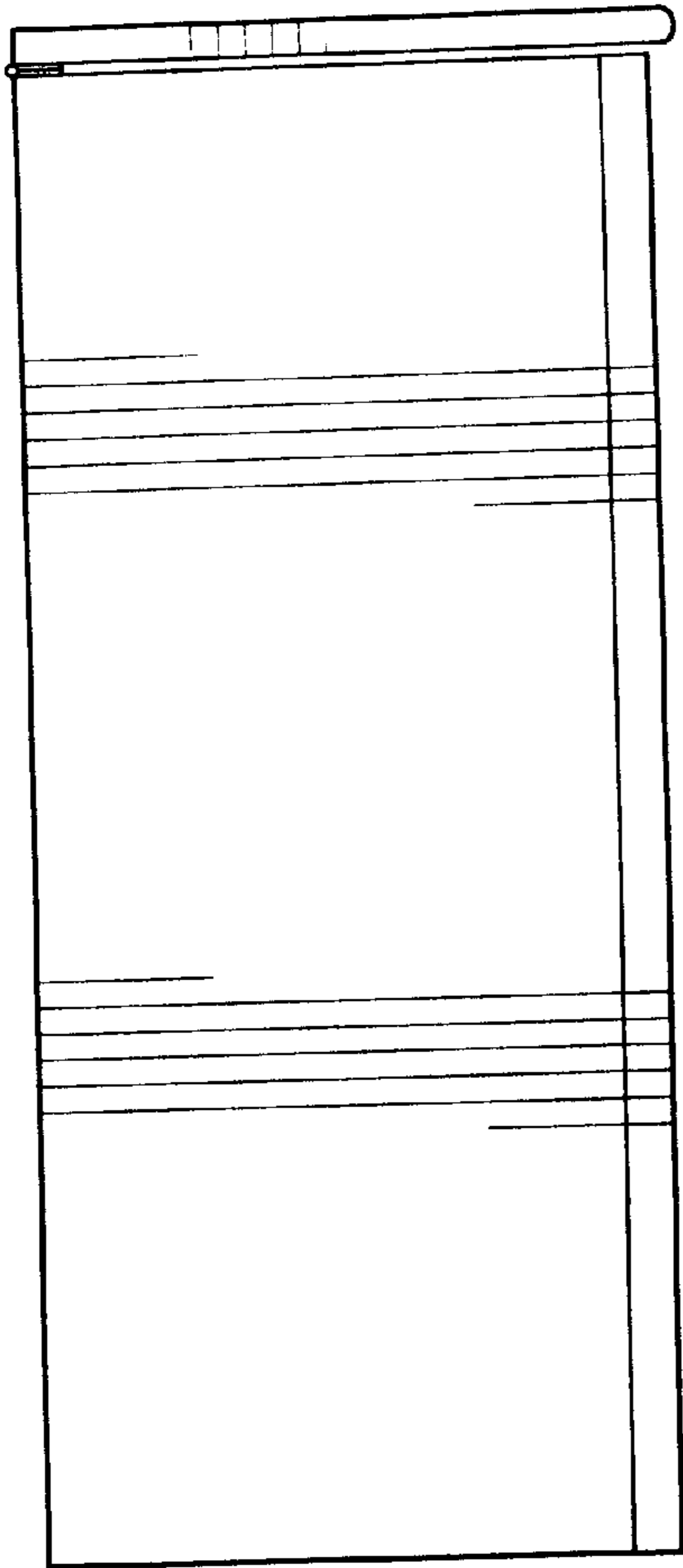


Fig-5

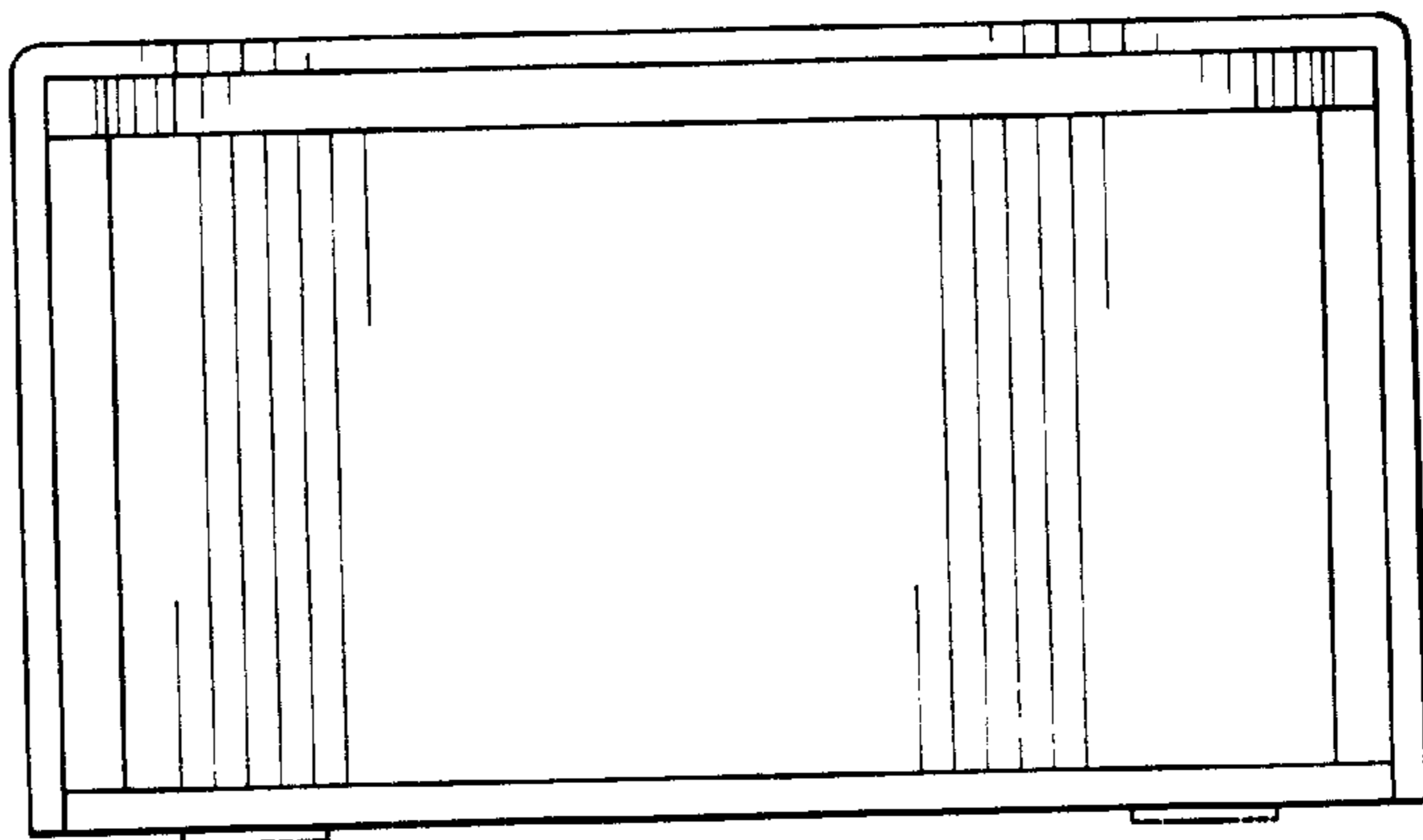


Fig-6