

US00D463634S

(12) **United States Design Patent**
Mantyla et al.

(10) **Patent No.:** **US D463,634 S**
(45) **Date of Patent:** **** Sep. 24, 2002**

(54) **VACUSWEEP VACUUM INLET VALVE**

(75) Inventors: **James Mantyla**, Barrie (CA); **Nicholas Broeders**, Stroud (CA)

(73) Assignee: **Canplas Industries Ltd.** (CA)

(**) Term: **14 Years**

(21) Appl. No.: **29/127,374**

(22) Filed: **Aug. 3, 2000**

(30) **Foreign Application Priority Data**

Jul. 5, 2000 (CA) 2000-1748

(51) **LOC (7) Cl.** **15-05**

(52) **U.S. Cl.** **D32/31**

(58) **Field of Search** D32/21, 23-24,
D32/31, 25, 1; 15/320-321, 310, 314, 315,
301, 410; 174/53, 66; 439/536; 288/7; 55/472

(56) **References Cited**

U.S. PATENT DOCUMENTS

D211,826 S * 7/1968 Matthews D32/31
3,676,986 A * 7/1972 Reiling 55/472
D229,164 S * 11/1973 Tevis D8/353

D232,514 S * 8/1974 Mol D32/31
5,004,428 A * 4/1991 Hayden 439/191
D349,370 S * 8/1994 Salo et al. D32/31
5,578,795 A * 11/1996 Ward 174/53

* cited by examiner

Primary Examiner—Ruth McInroy

(74) *Attorney, Agent, or Firm*—Hoffmann & Baron, LLP

(57) **CLAIM**

The ornamental design for a vacusweep vacuum inlet valve, as shown and described.

DESCRIPTION

FIG. 1 is a front perspective view of a vacusweep vacuum inlet valve showing our new design;

FIG. 2 is a rear perspective view thereof;

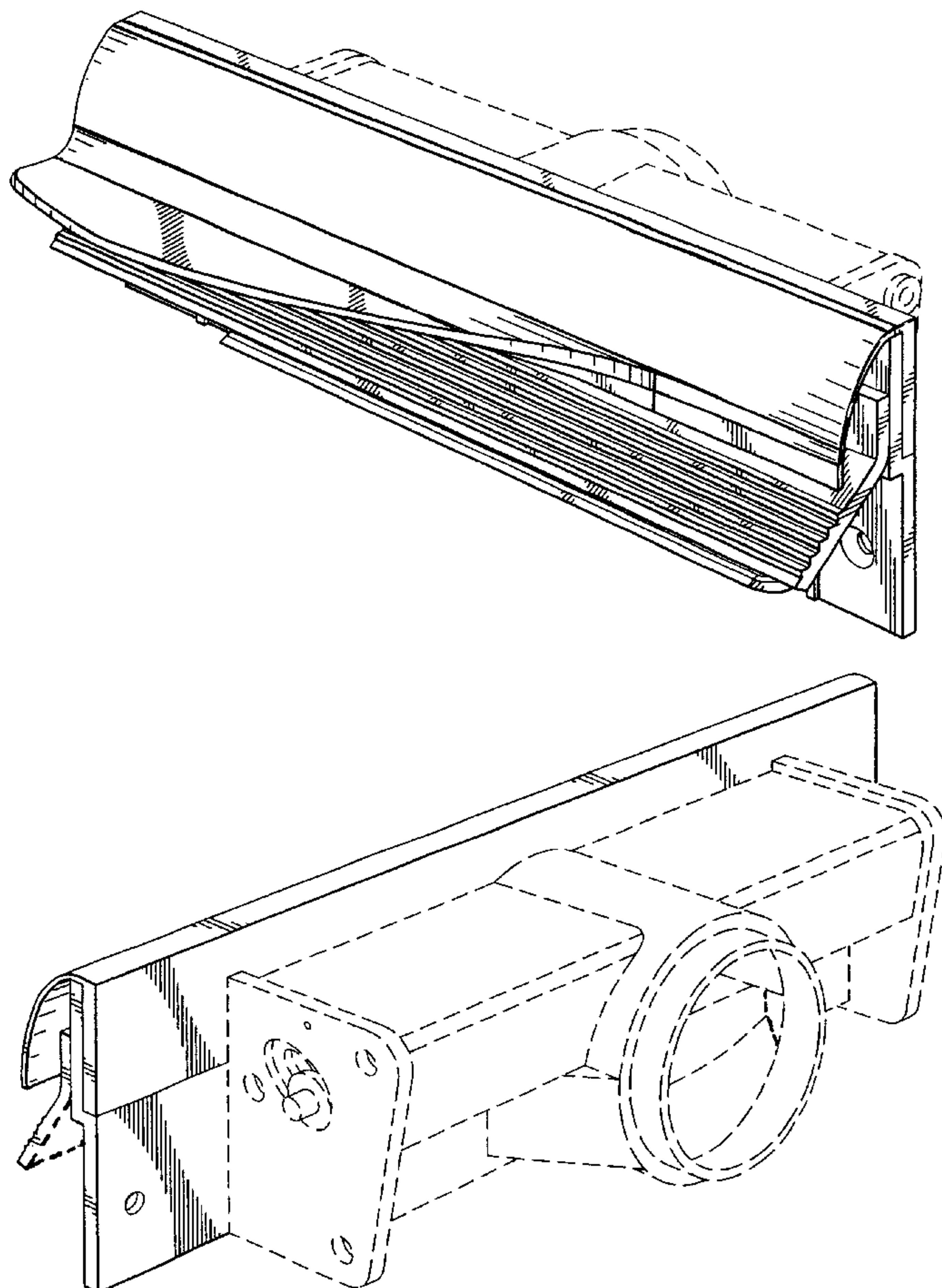
FIG. 3 is a top plan view thereof; and,

FIG. 4 is a bottom plan view thereof.

The subject matter shown in broken lines forms no part of the claimed design.

Portions of the claimed design not shown in the drawings, obscured by broken lines, or not described in the specification form no part of the claimed design.

1 Claim, 4 Drawing Sheets



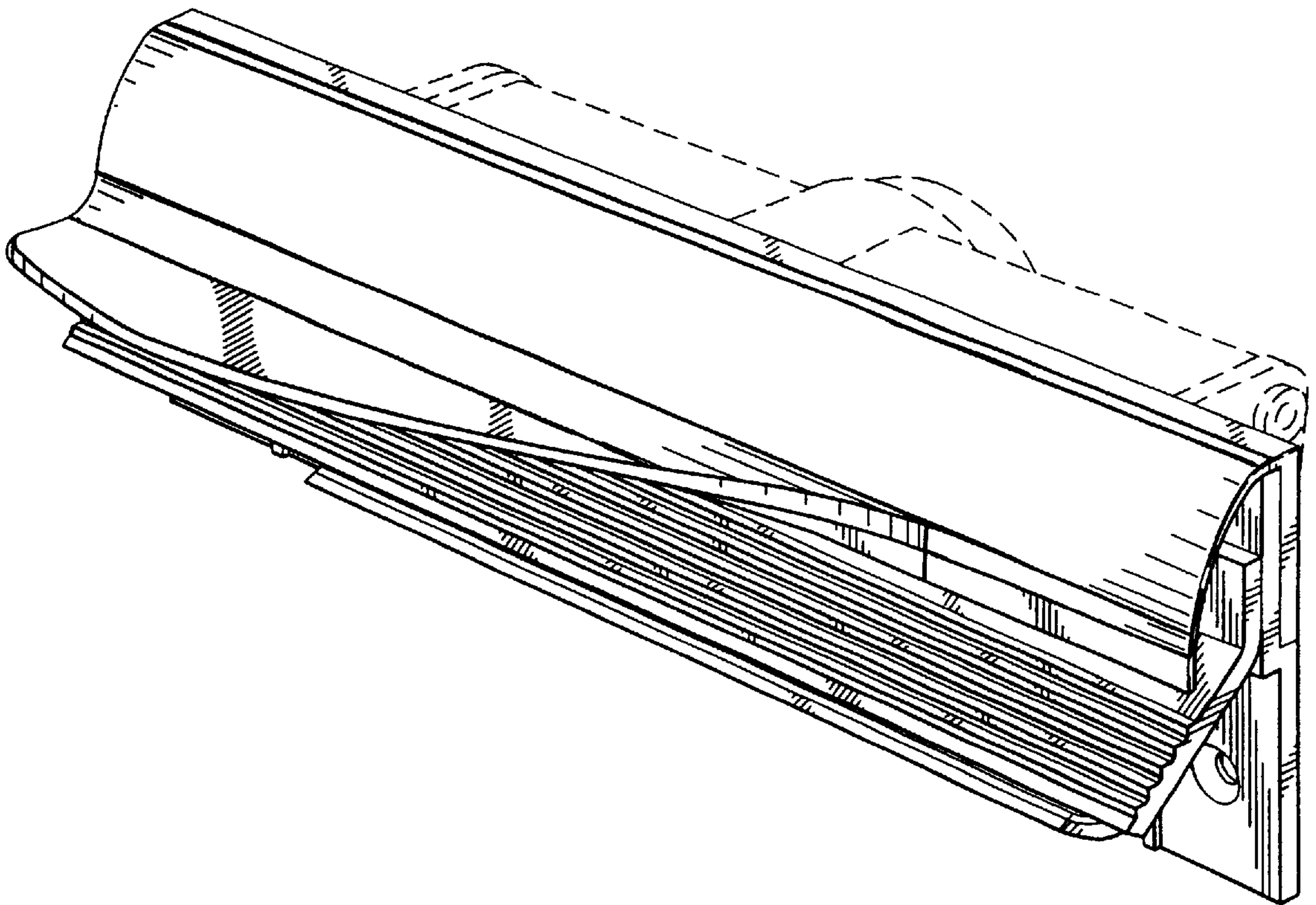


FIG 1

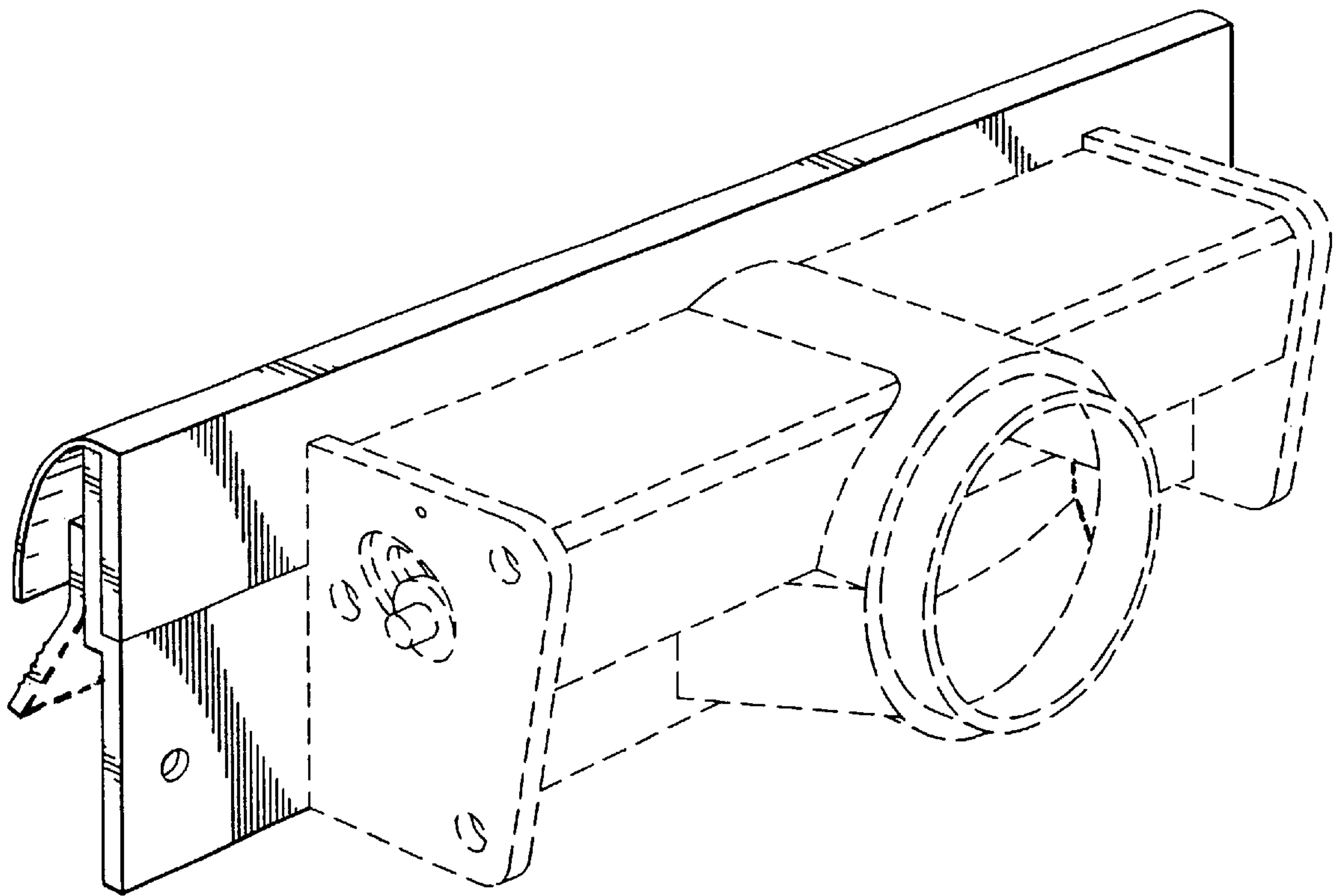


FIG 2

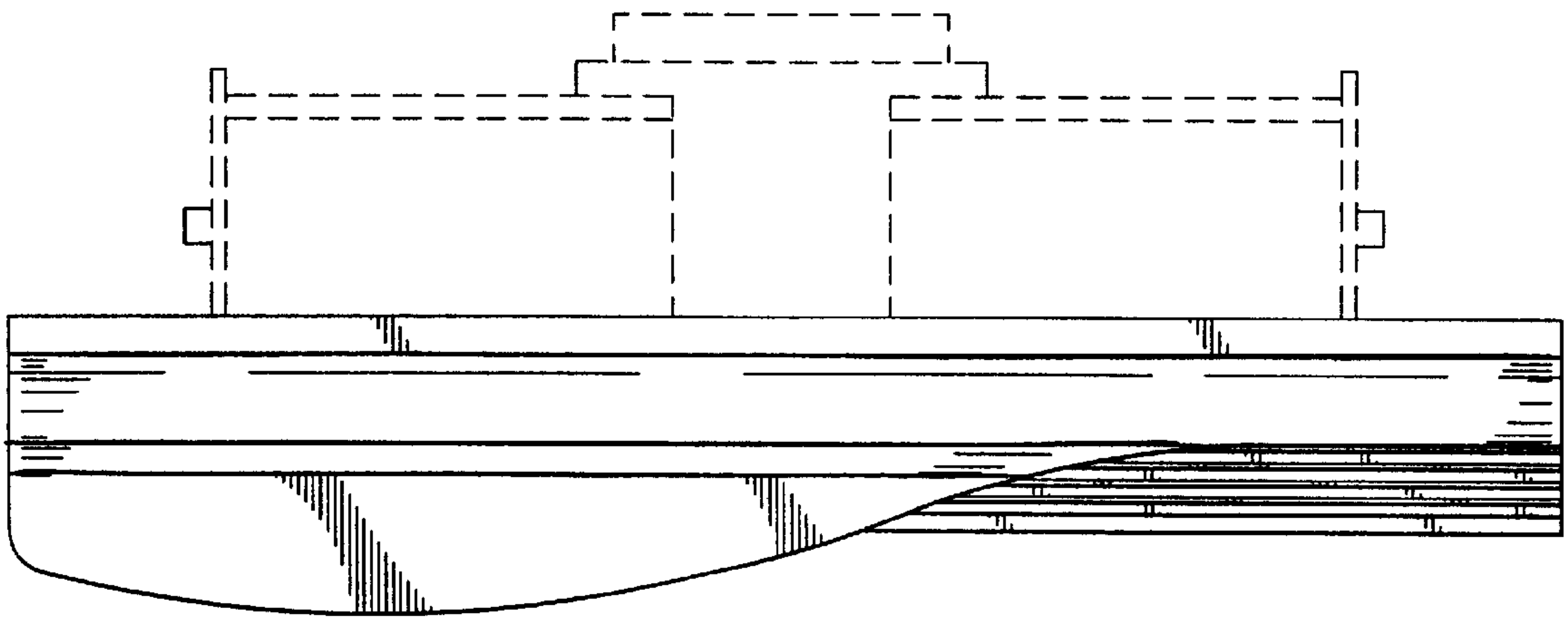


FIG 3

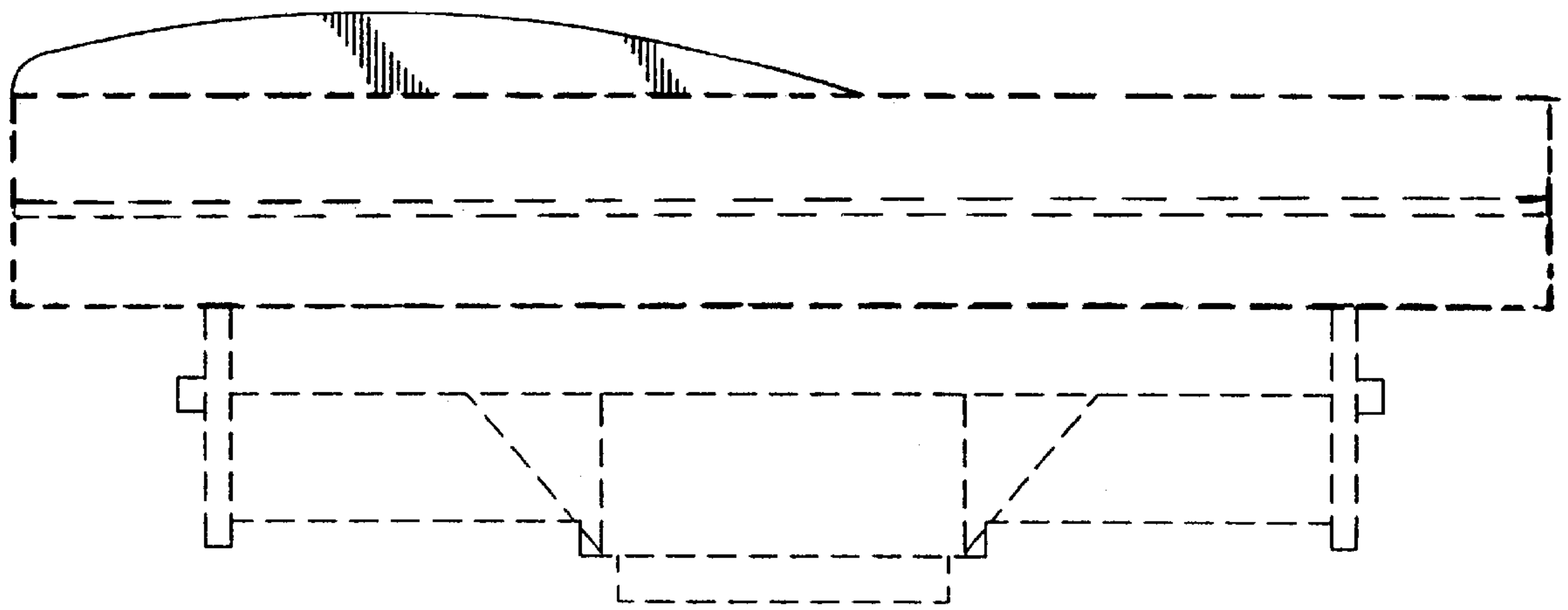


FIG 4