



US00D463624S

(12) **United States Design Patent**  
**Oduber**

(10) **Patent No.:** **US D463,624 S**

(45) **Date of Patent:** **\*\* Sep. 24, 2002**

(54) **LAMP FOR NAILS**

D453,858 S \* 2/2002 Tsai ..... D28/54.1

(76) Inventor: **Rosalia Oduber**, 10900 SW. 104th St.,  
Apt. 210, Miami, FL (US) 33176

\* cited by examiner

(\*\*) Term: **14 Years**

*Primary Examiner*—Lucy Lieberman

(74) *Attorney, Agent, or Firm*—J. Sanchelima; A. Bordas

(21) Appl. No.: **29/154,568**

(57) **CLAIM**

(22) Filed: **Jan. 25, 2002**

The ornamental design for a lamp for nails, as shown and described.

(51) **LOC (7) Cl.** ..... **28-03**

**DESCRIPTION**

(52) **U.S. Cl.** ..... **D28/54.1**

FIG. 1 is a top plan view of a lamp for nails showing my new design;

(58) **Field of Search** ..... D28/54.1, 58;

34/202; 392/380, 382, 383, 411, 419; 132/73,  
73.5

FIG. 2 is a front elevational view thereof;

FIG. 3 is a bottom plan view thereof;

(56) **References Cited**

**U.S. PATENT DOCUMENTS**

3,643,346	A	*	2/1972	Lester	.....	34/202
3,864,847	A	*	2/1975	Friedman et al.	.....	392/411
D286,211	S	*	10/1986	Zinbarg et al.	.....	D28/54.1
D300,960	S	*	5/1989	Billings	.....	D28/58
5,084,984	A	*	2/1992	Duchoud et al.	.....	34/202
D381,464	S	*	7/1997	Schaeffer et al.	.....	D28/54.1
5,826,347	A	*	10/1998	Olivares-Gonzalez de Serrano et al.	.....	34/202

FIG. 4 is a rear elevation thereof;

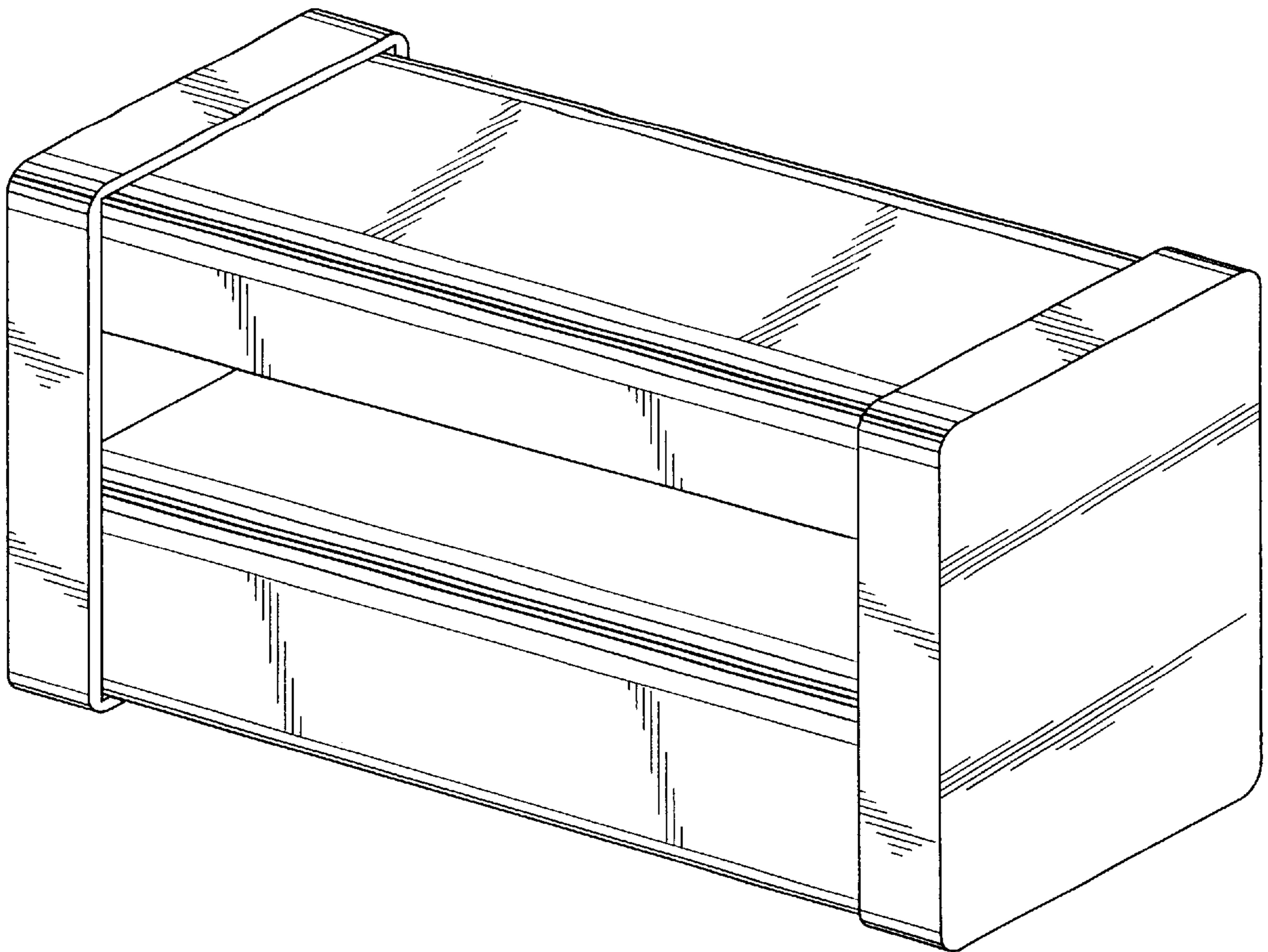
FIG. 5 is a left side elevation of the lamp for nails, the right side elevation is the same;

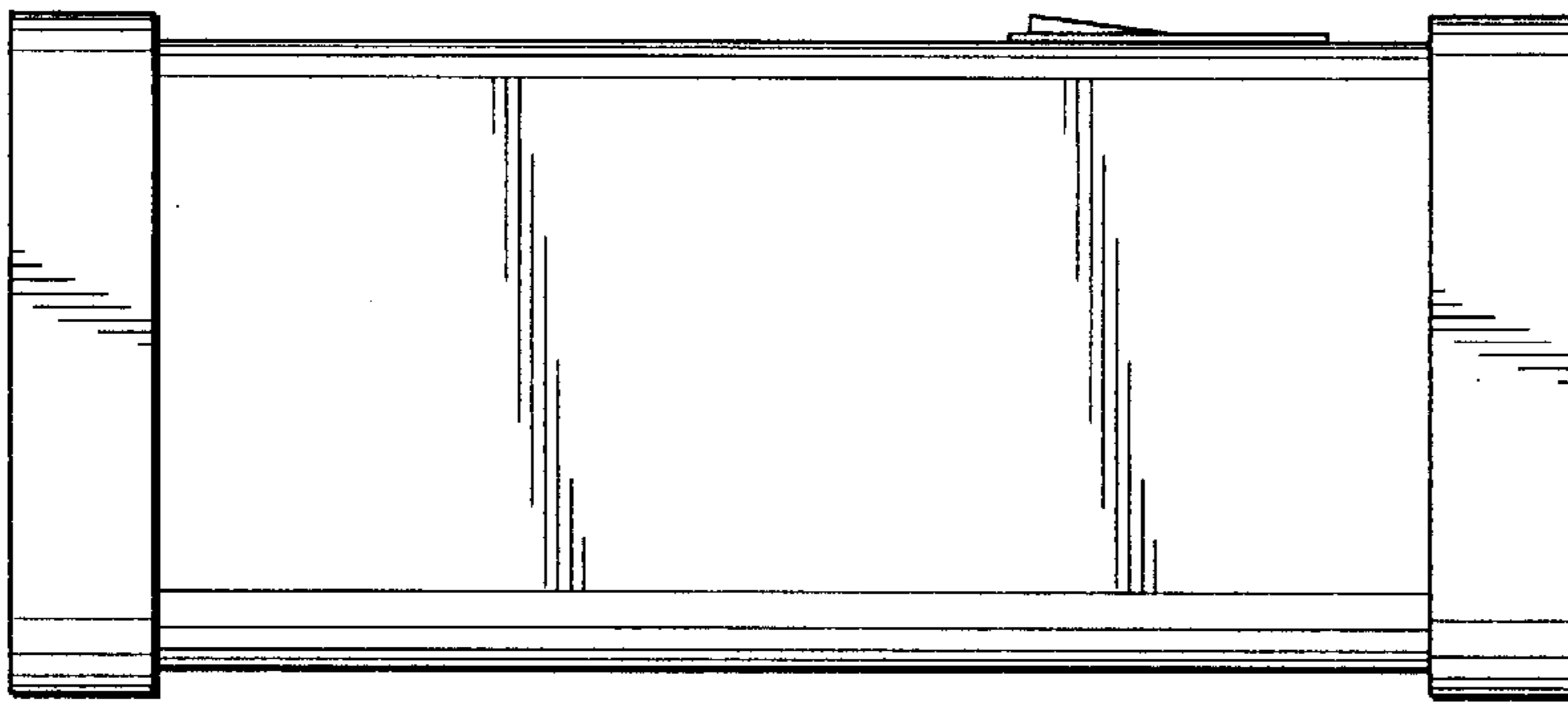
FIG. 6 is a left side elevation of the lamp for nails shown without the left cover for the purpose of showing a portion of the interior;

FIG. 7 is a front isometric view of my design; and,

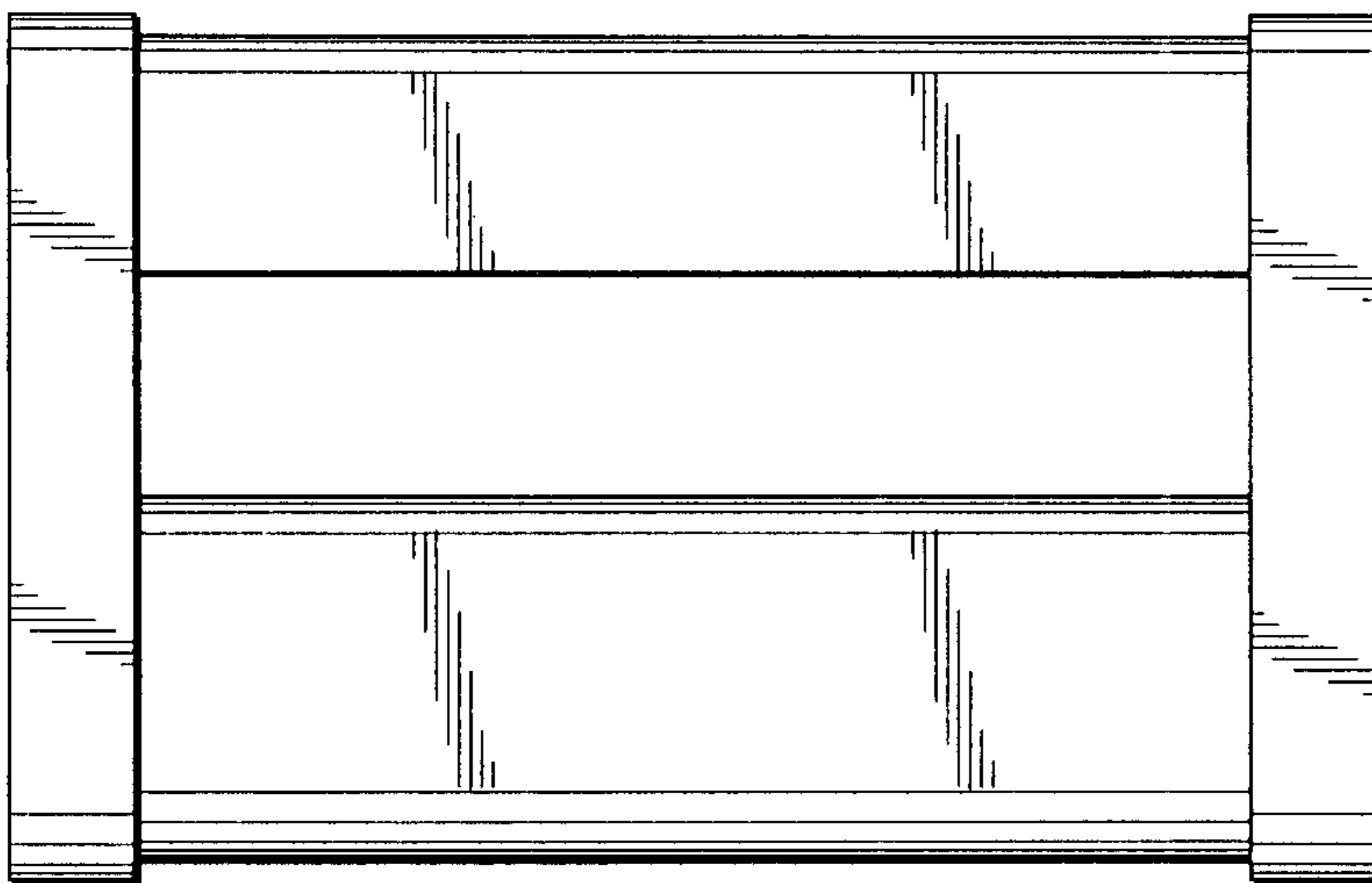
FIG. 8 is a rear isomeric view of the lamp for nails showing my design.

**1 Claim, 3 Drawing Sheets**

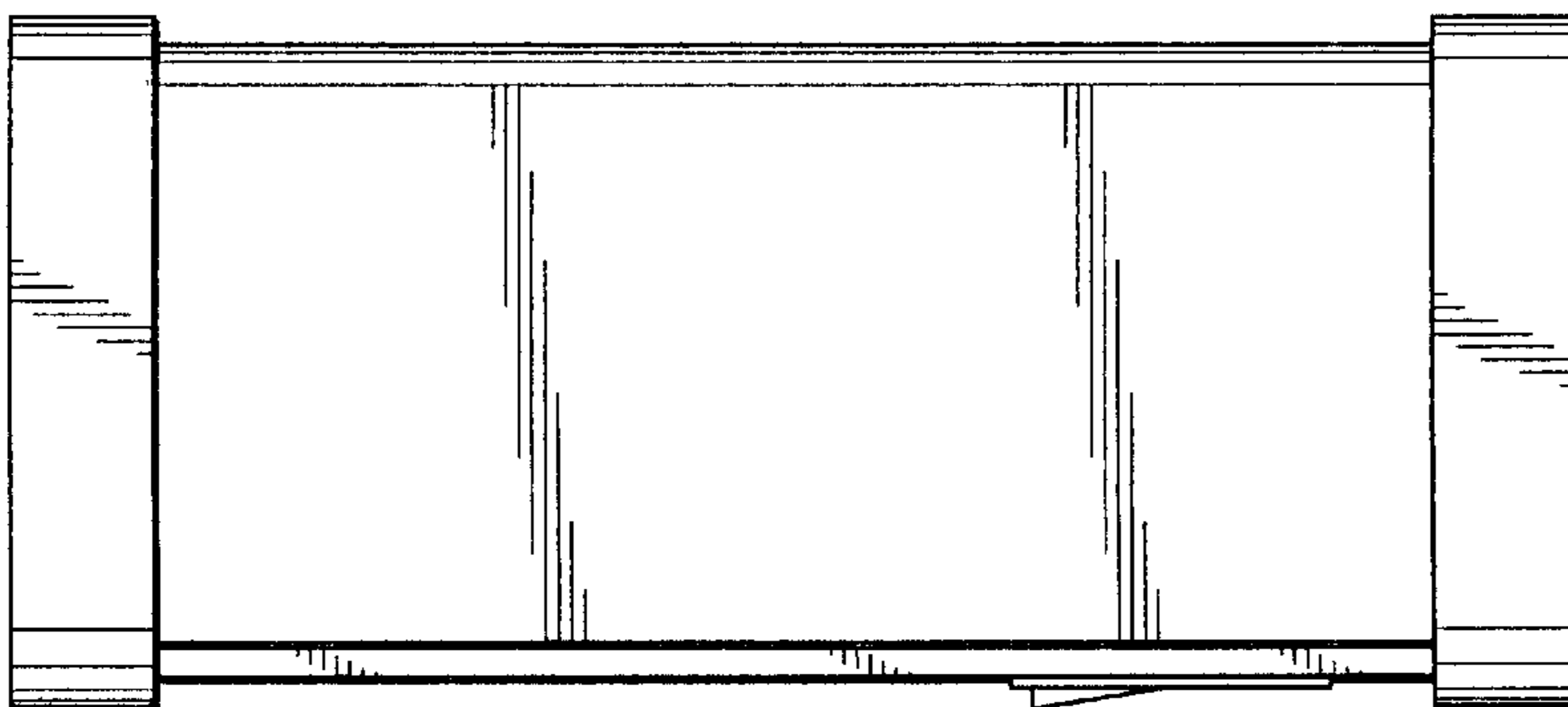




*FIG. 1.*



*FIG. 2.*



*FIG. 3.*

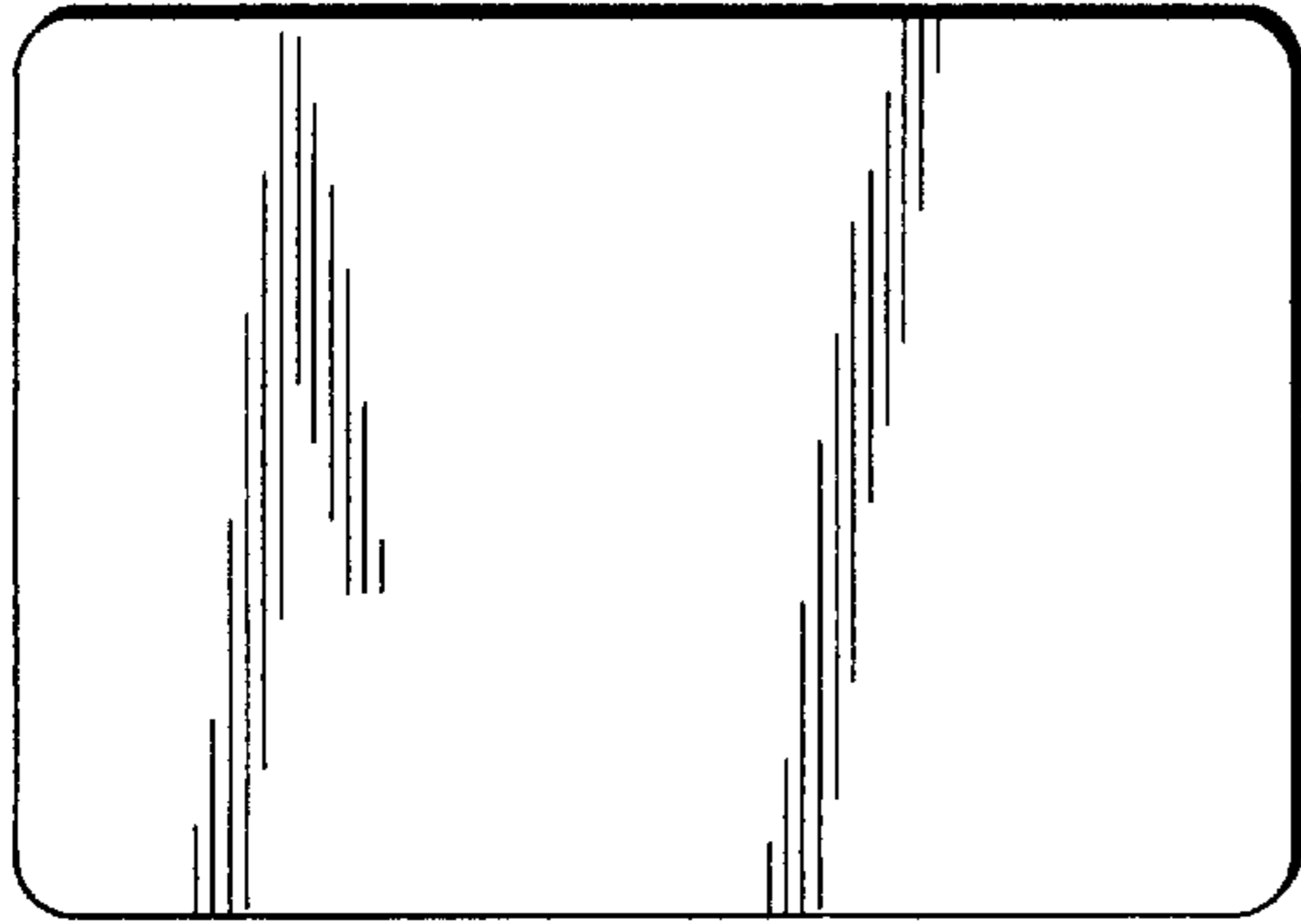


FIG. 5

FIG. 6

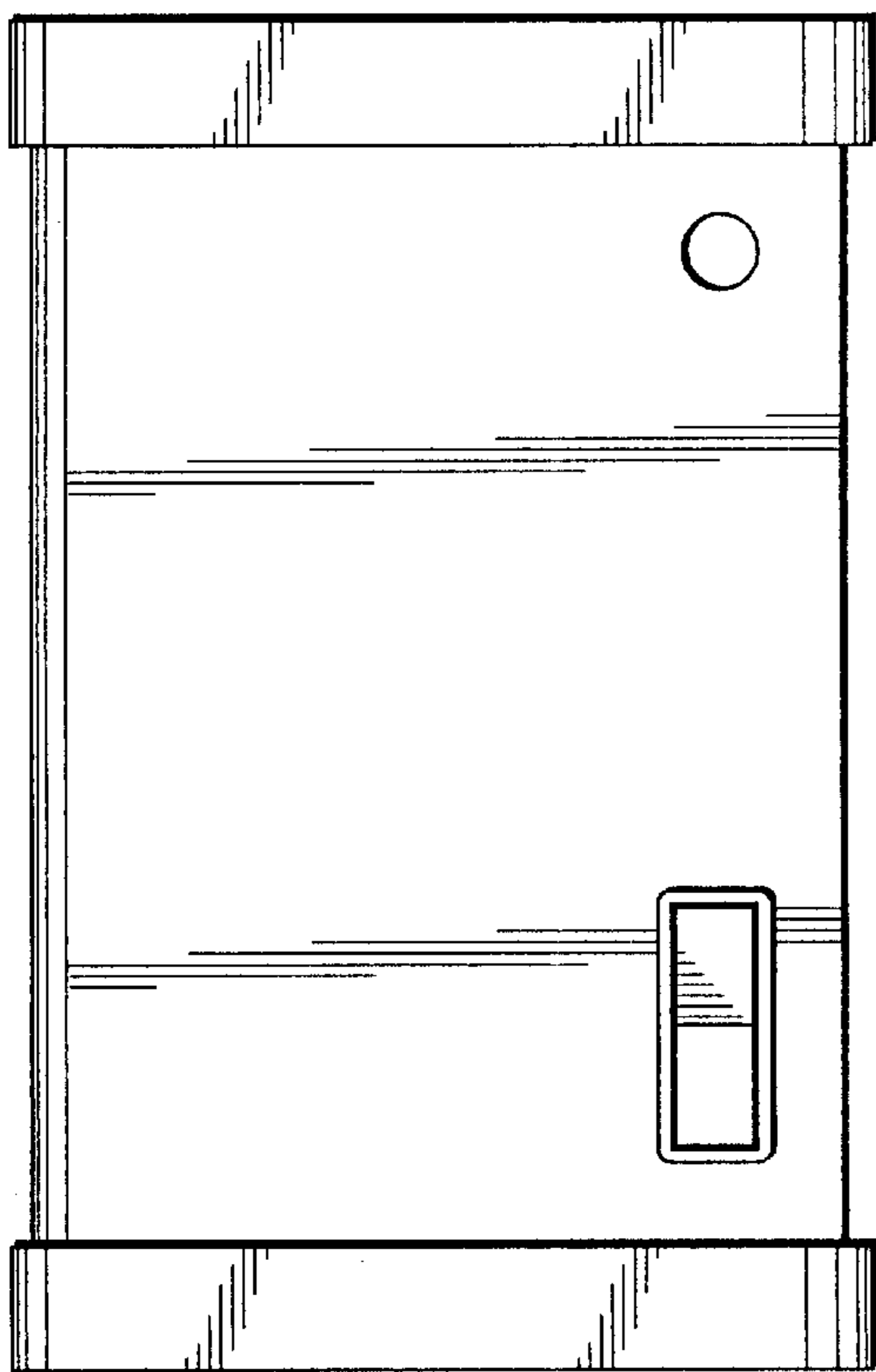
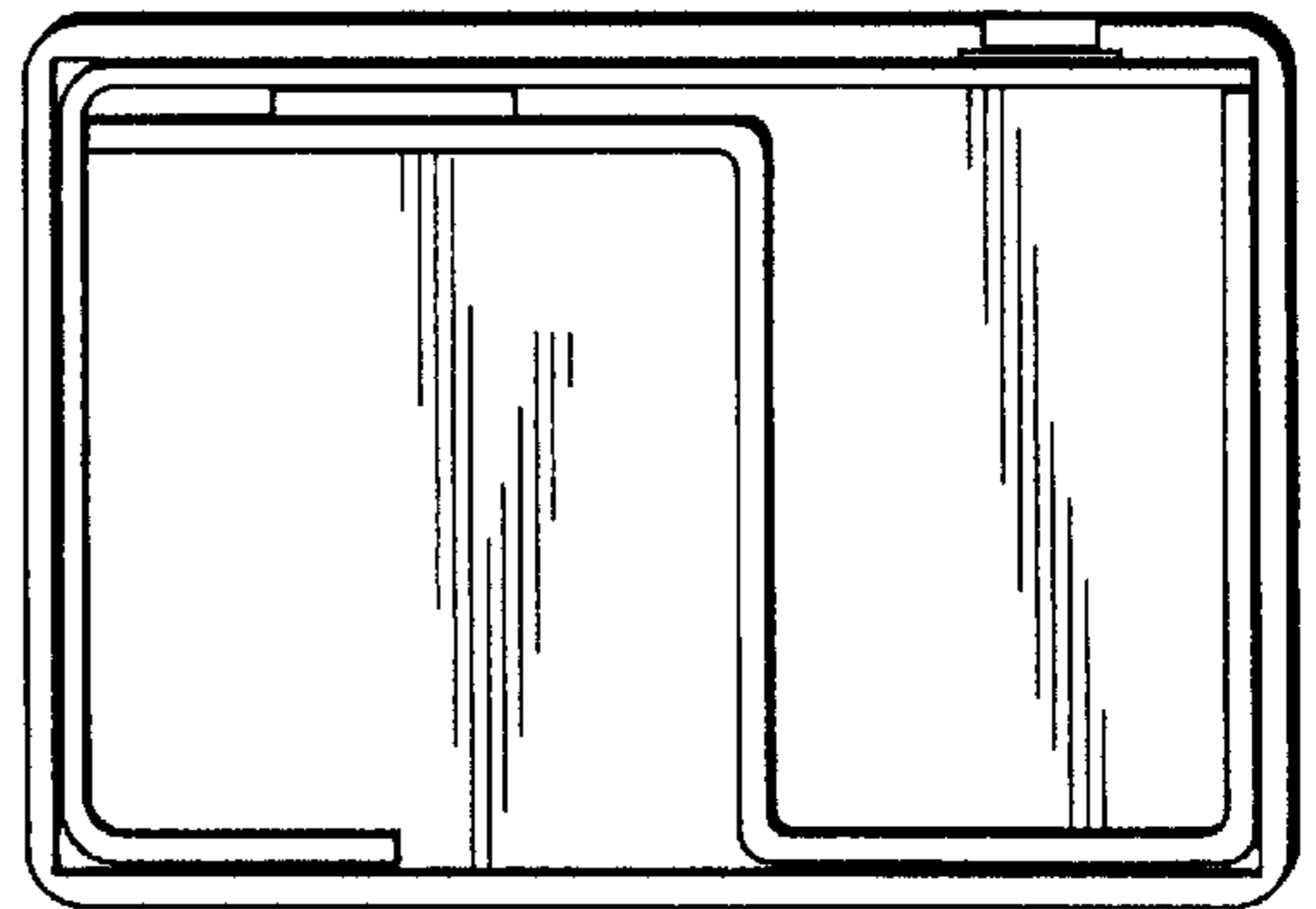
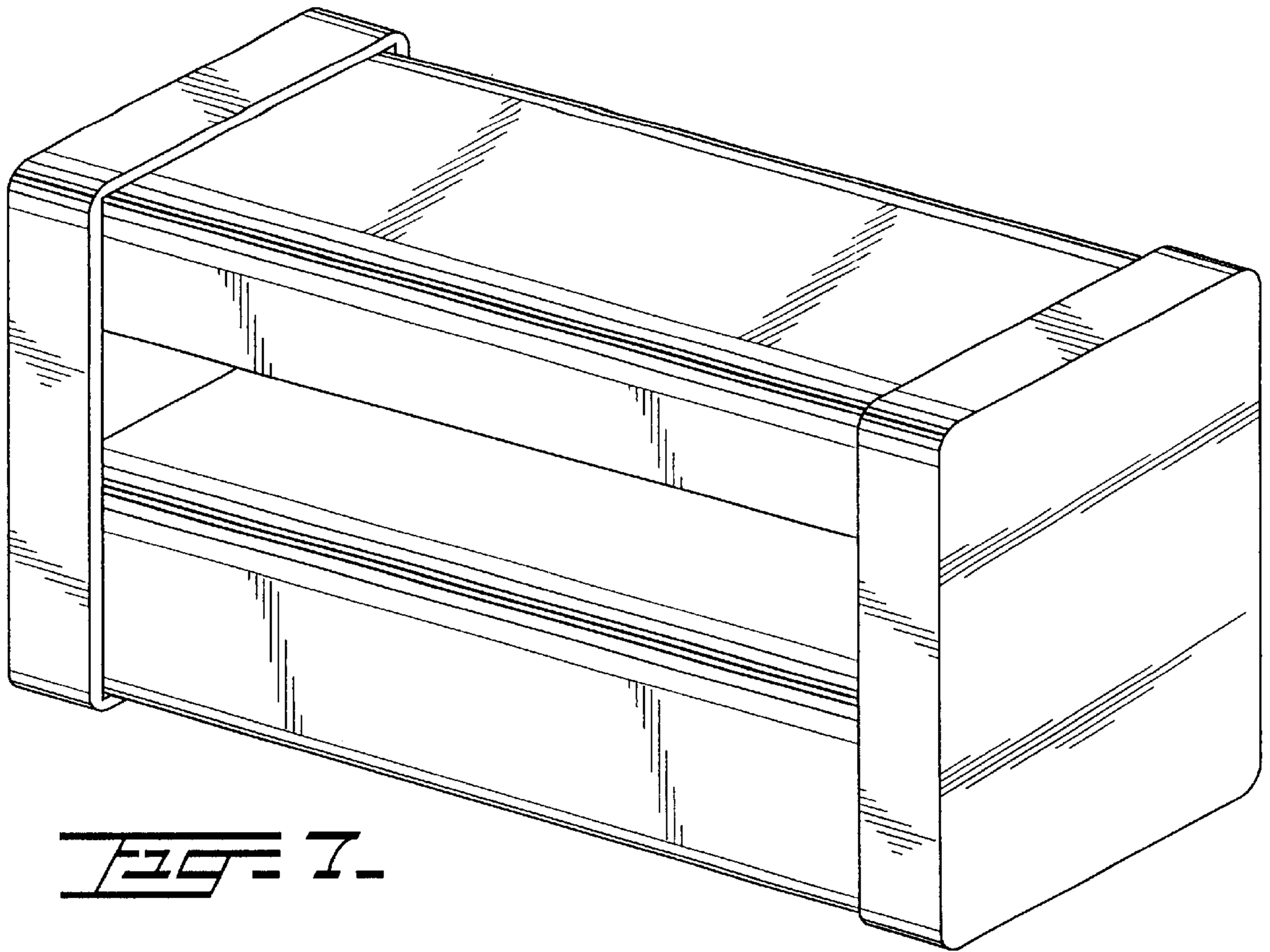
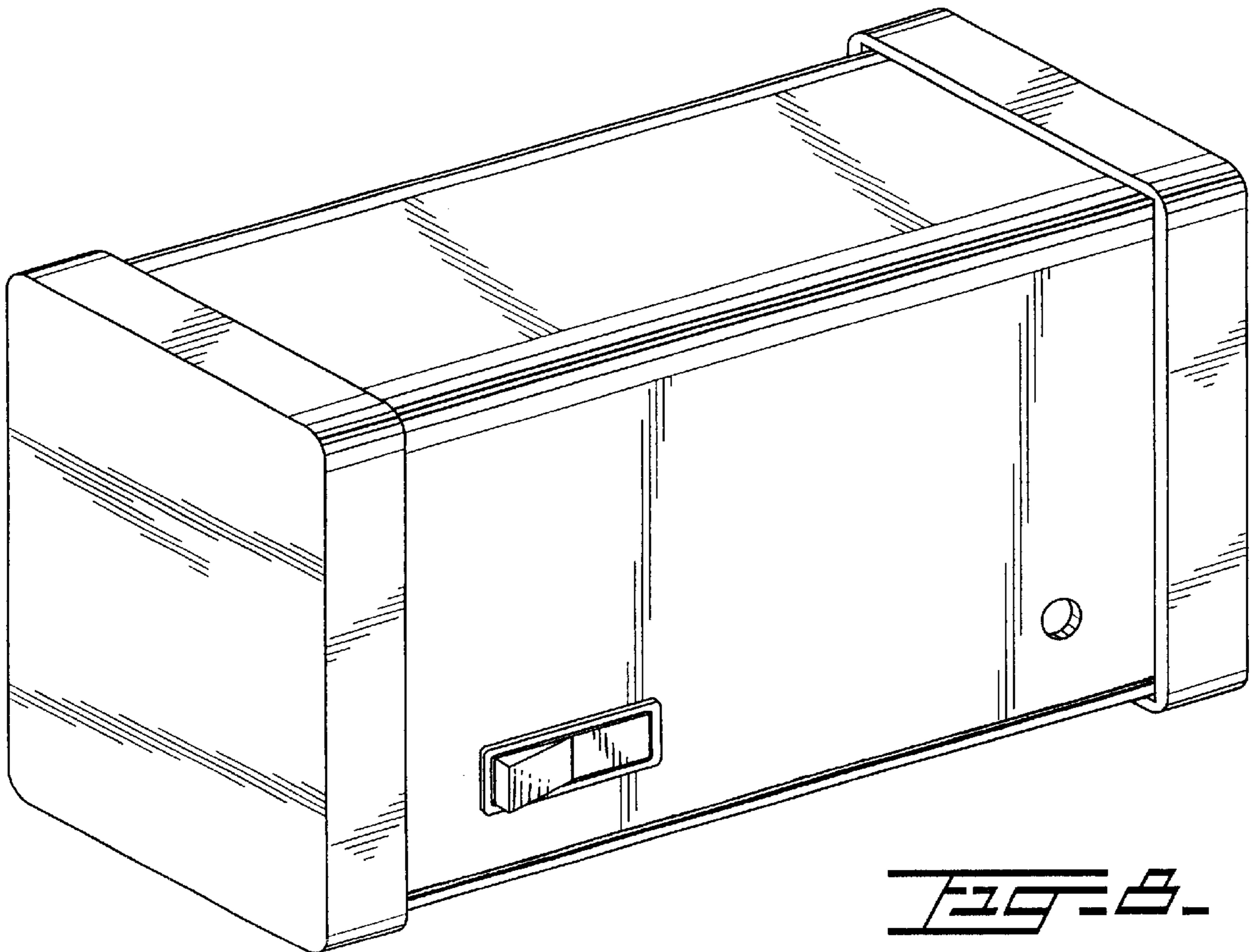


FIG. 4



**FIG. 1.**



**FIG. 2.**