



US00D463623S

(12) **United States Design Patent**
Kling et al.

(10) **Patent No.:** **US D463,623 S**

(45) **Date of Patent:** **** Sep. 24, 2002**

(54) **ATTACHMENT FOR A HAIR CUTTING MACHINE**

(75) Inventors: **Björn Kling**, Frankfurt/M (DE);
Roland Ullmann, Offenbach (DE)

(73) Assignee: **Braun GmbH** (DE)

(**) Term: **14 Years**

(21) Appl. No.: **29/141,811**

(22) Filed: **Apr. 10, 2001**

Related U.S. Application Data

(63) Continuation of application No. 29/103,832, filed on Apr. 23, 1999, now abandoned.

(30) **Foreign Application Priority Data**

Oct. 23, 1998 (WO) DM/004278

(51) **LOC (7) Cl.** **28-03**

(52) **U.S. Cl.** **D28/54**

(58) **Field of Search** D28/44, 44.2,
D28/52-54; 30/30, 34.05, 34.1, 34.2, 42,
43, 43.1-43.9, 43.91, 43.92, 196-204, 208-223,
233, 233.5

(56) **References Cited**

U.S. PATENT DOCUMENTS

D185,170 S 5/1959 Peters D28/54
4,614,036 A * 9/1986 Haraguchi 30/200

D294,407 S 2/1988 Ullmann D28/53
4,776,095 A * 10/1988 Tsujimoto et al. 30/201
D304,627 S 11/1989 Yonesawa D28/53
5,054,199 A 10/1991 Ogawa et al. 30/34.1
5,105,541 A 4/1992 Messinger et al. 30/34.1
D355,506 S 2/1995 Rizzuto, Jr. D28/54
D359,581 S 6/1995 Ullmann D28/51
D413,182 S 8/1999 Smith D28/53

* cited by examiner

Primary Examiner—Ted Shooman

Assistant Examiner—C. Tuttle

(74) *Attorney, Agent, or Firm*—Fish & Richardson P.C.

(57) **CLAIM**

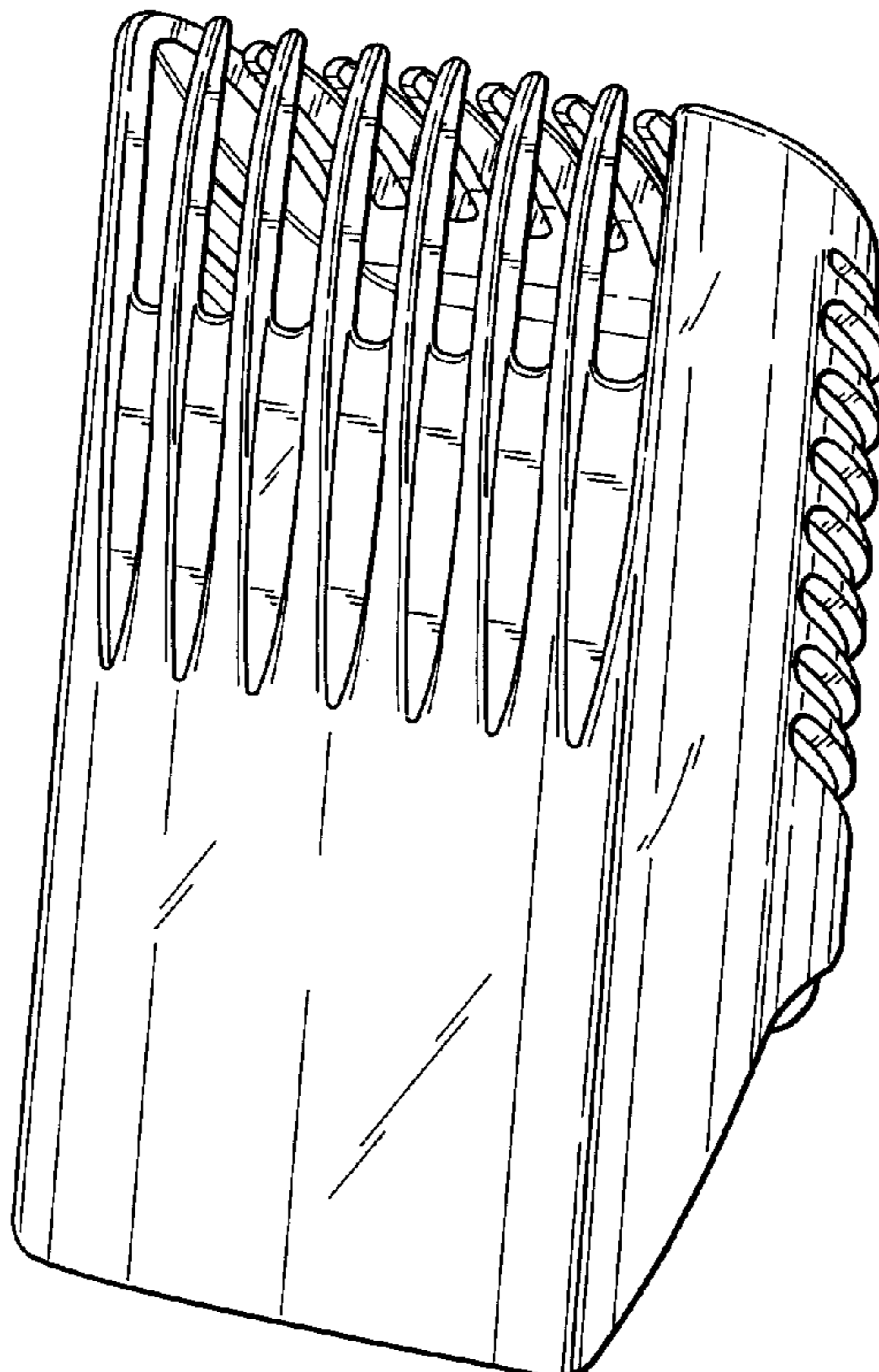
The ornamental design for an attachment for a hair cutting machine, as shown and described.

DESCRIPTION

FIG. 1 is a perspective front view of an attachment for a hair cutting machine from above, showing our design;
FIG. 2 is a front view thereof;
FIG. 3 is a top plan view thereof;
FIG. 4 is a bottom plan view thereof;
FIG. 5 is a rear view thereof;
FIG. 6 is a right side view thereof; and,
FIG. 7 is a left side view thereof.

The oblique line shading represents a completely translucent surface, structures that would be visible behind the surfaces being omitted for ease and clarity of illustration.

1 Claim, 2 Drawing Sheets



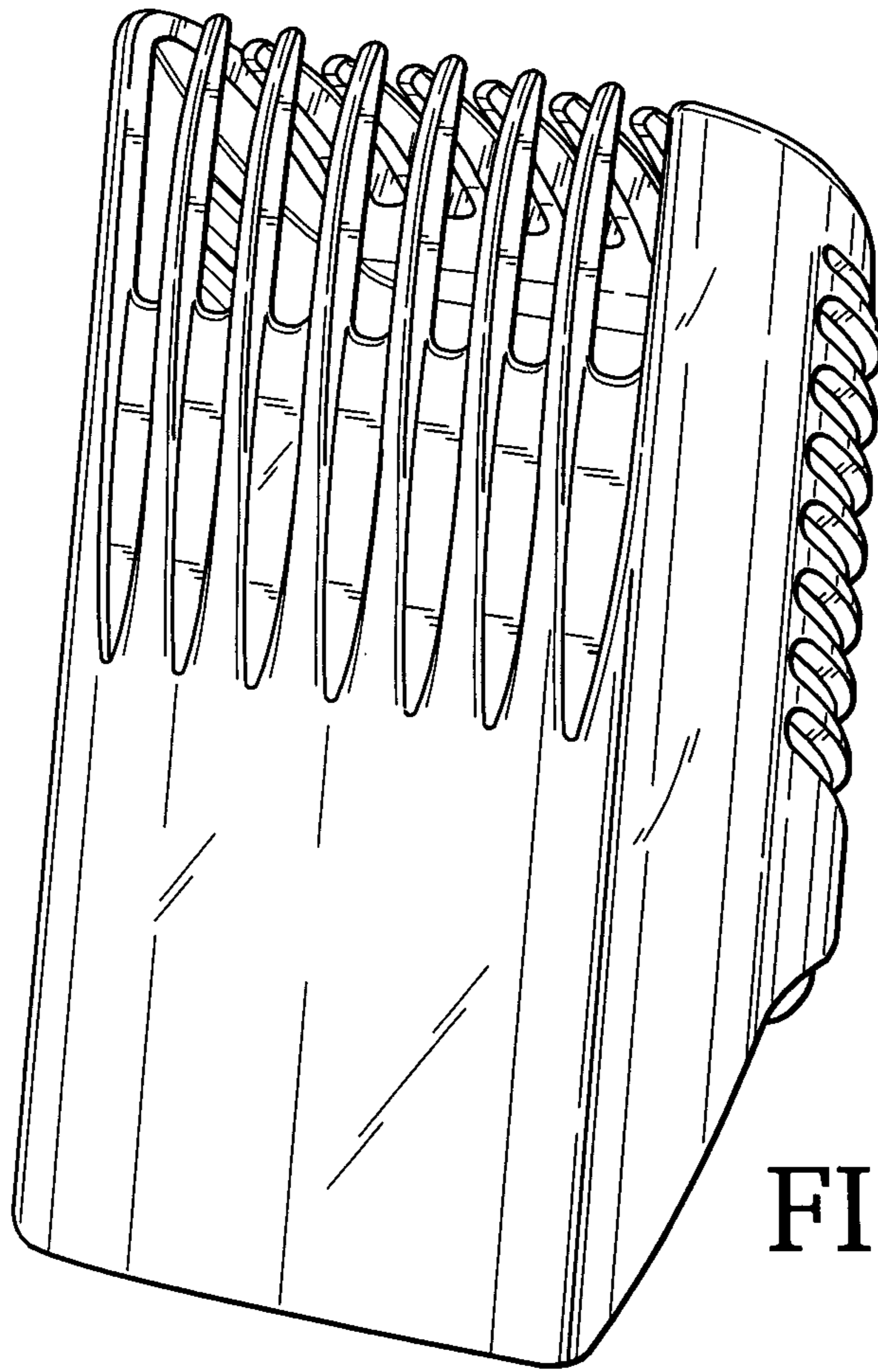


FIG. 1

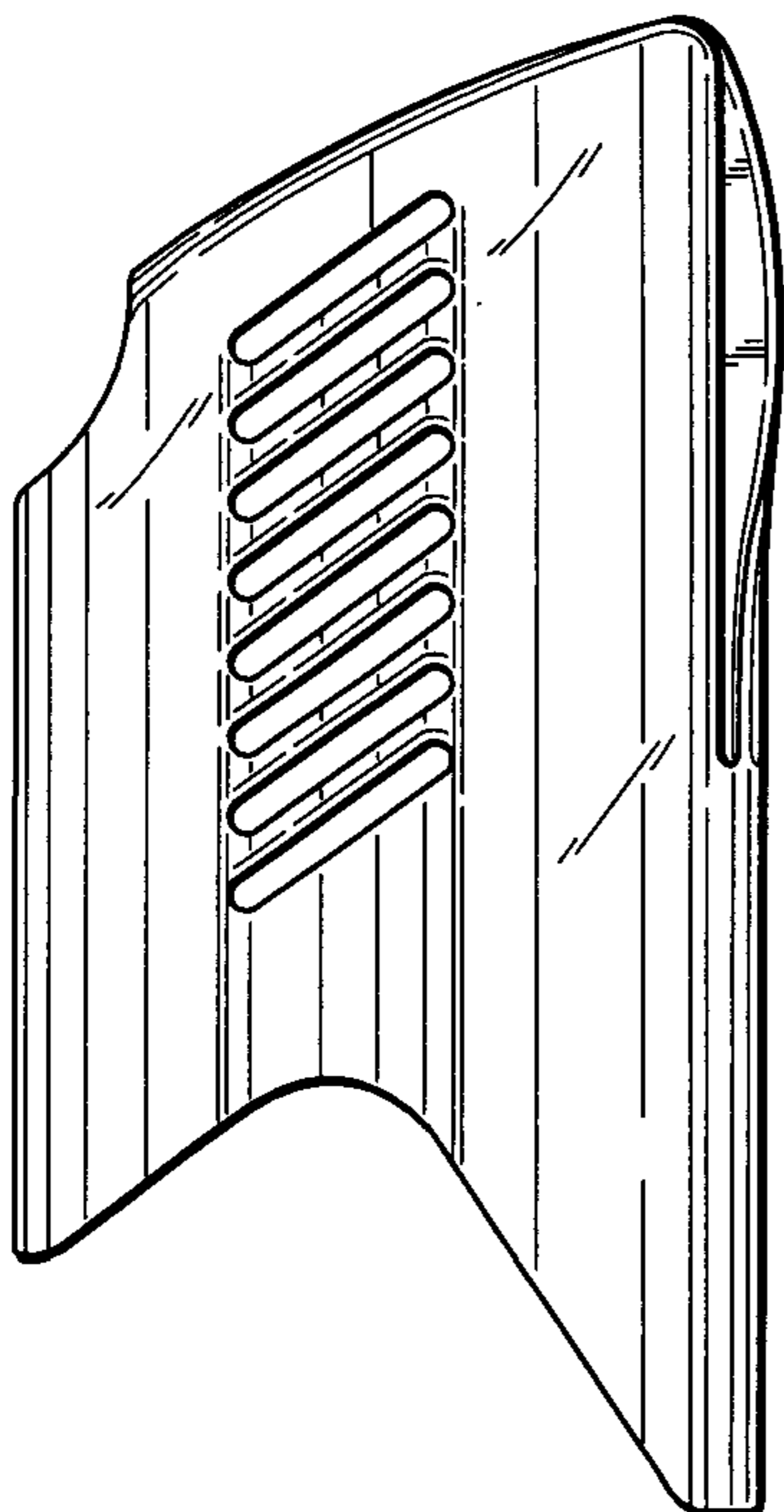


FIG. 7

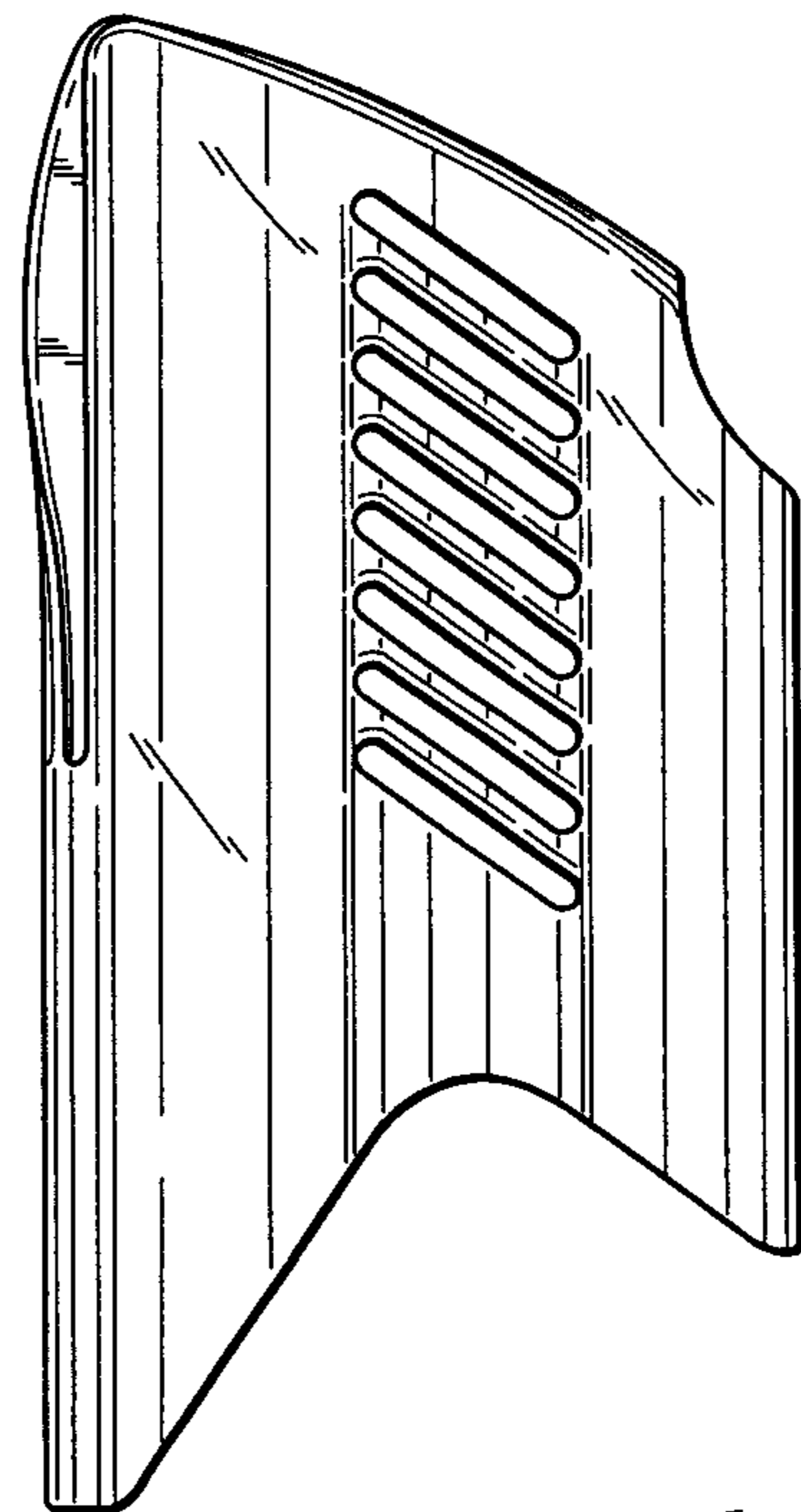


FIG. 6

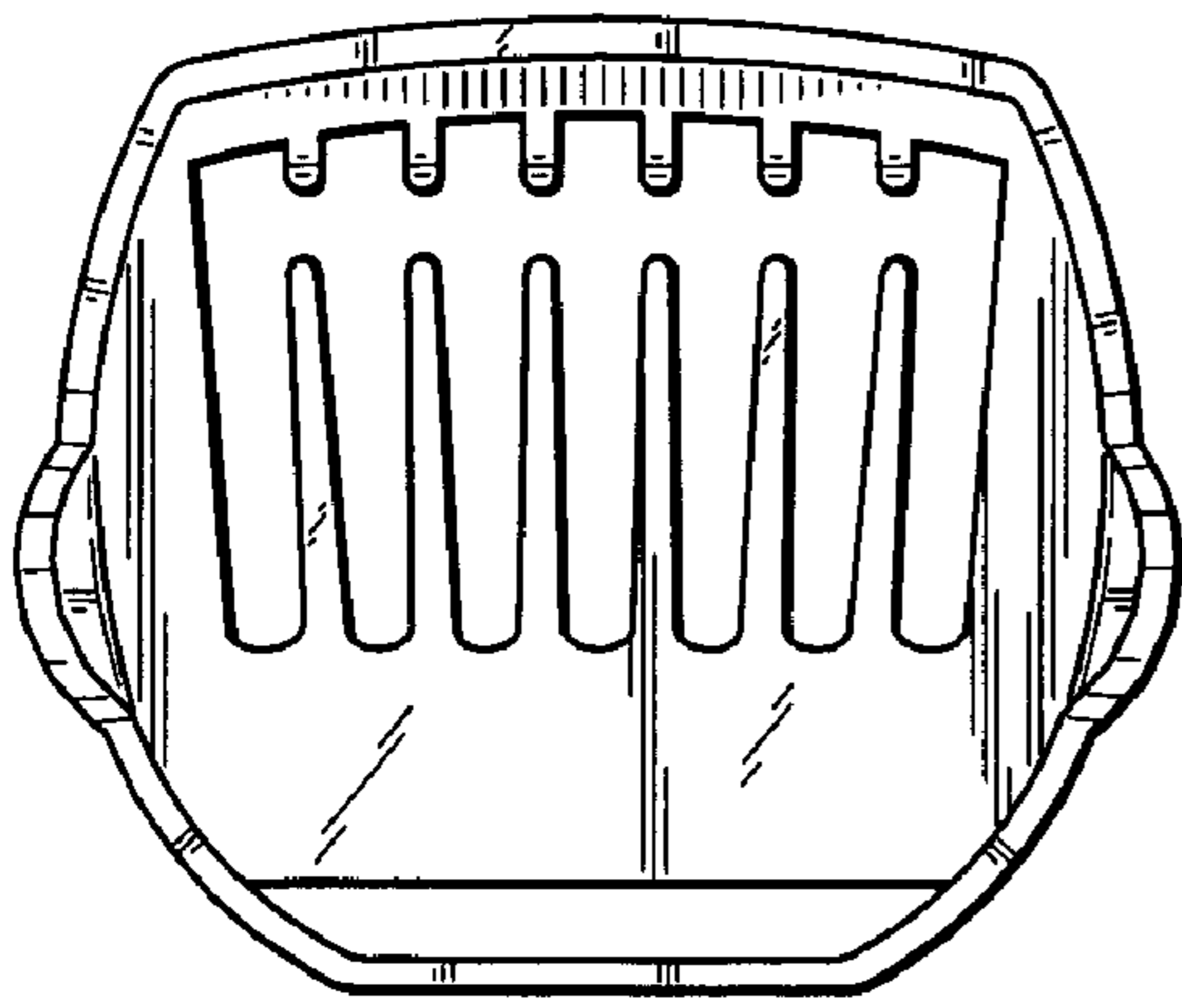


FIG. 3

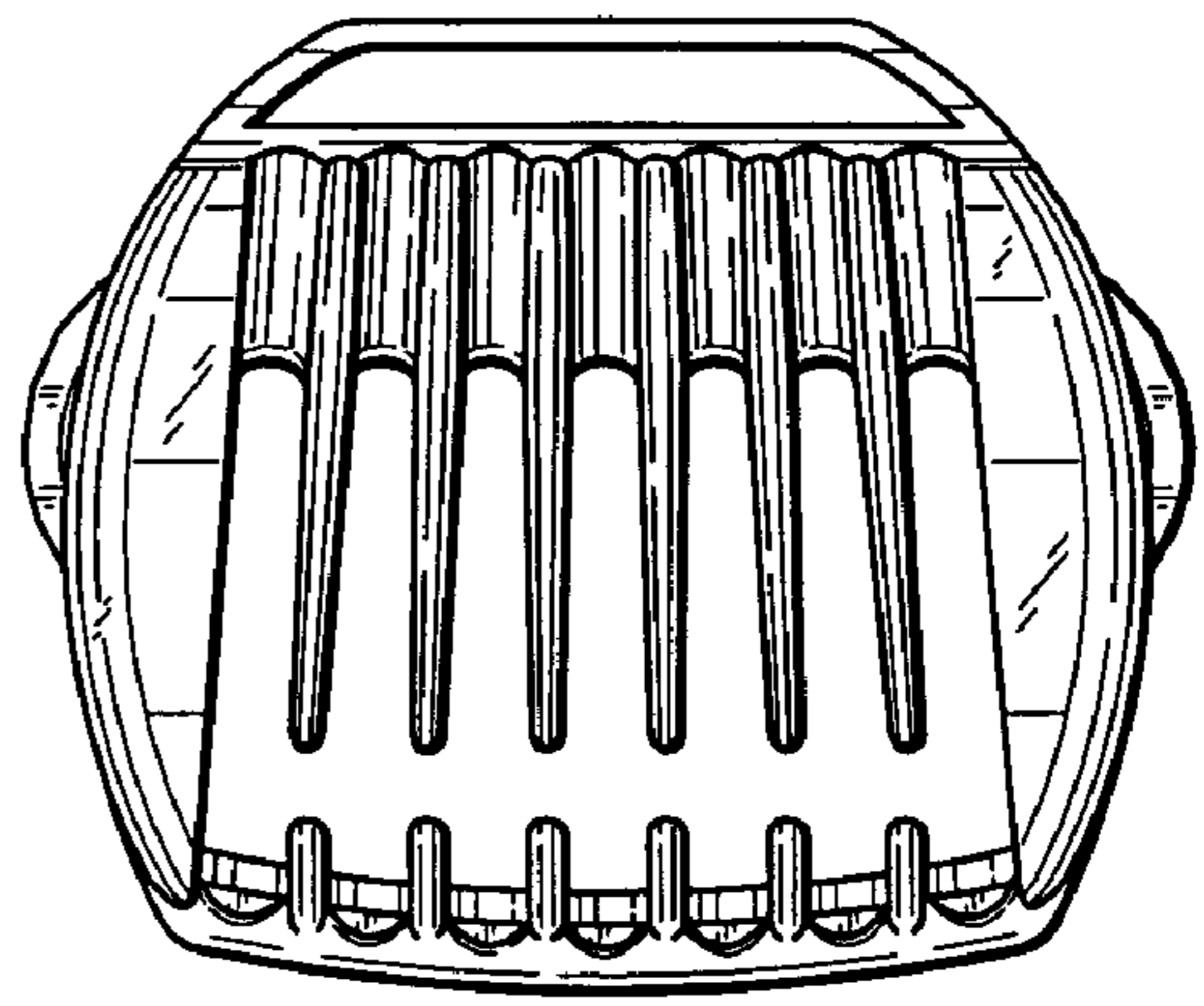


FIG. 4

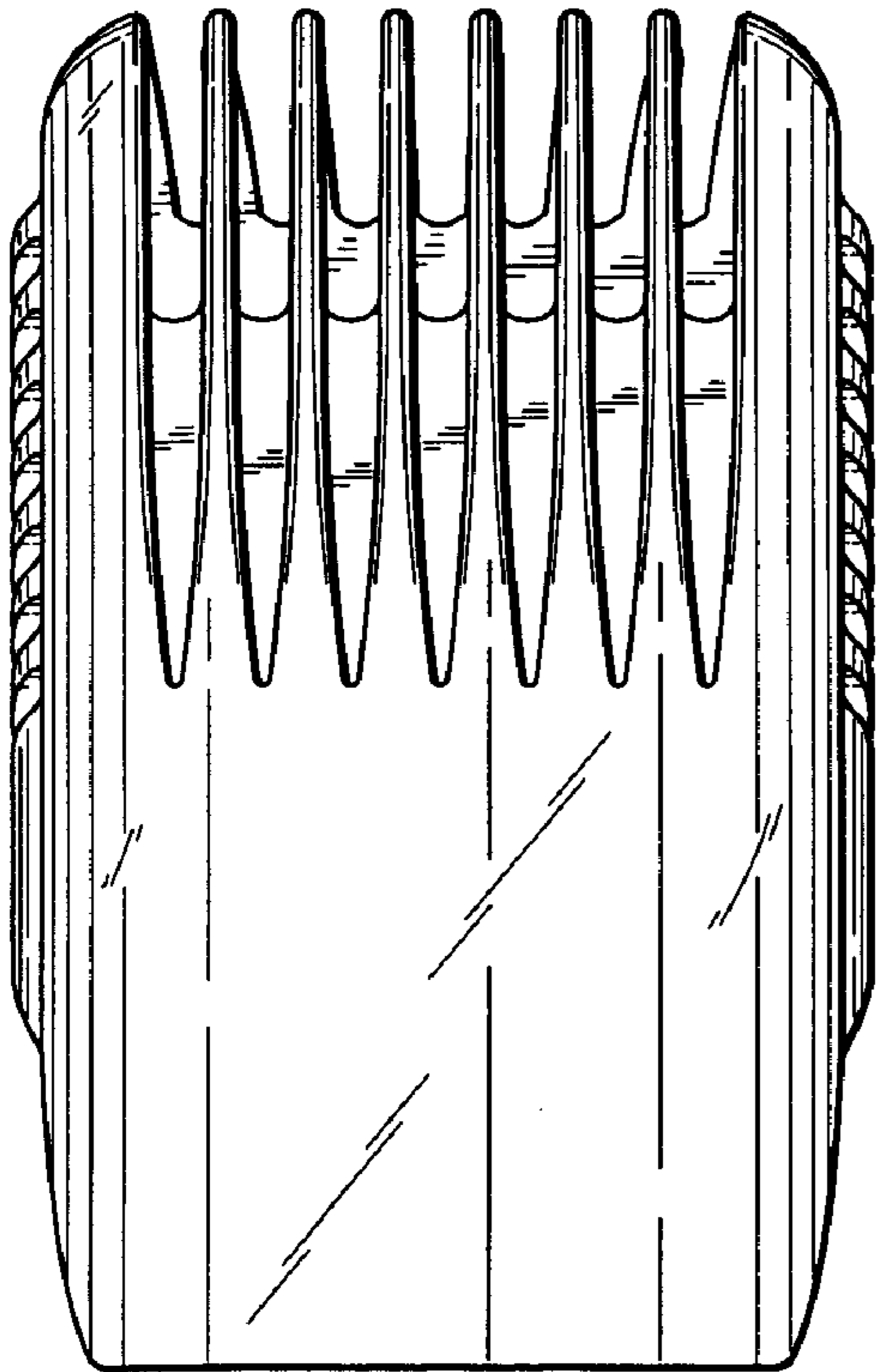


FIG. 2

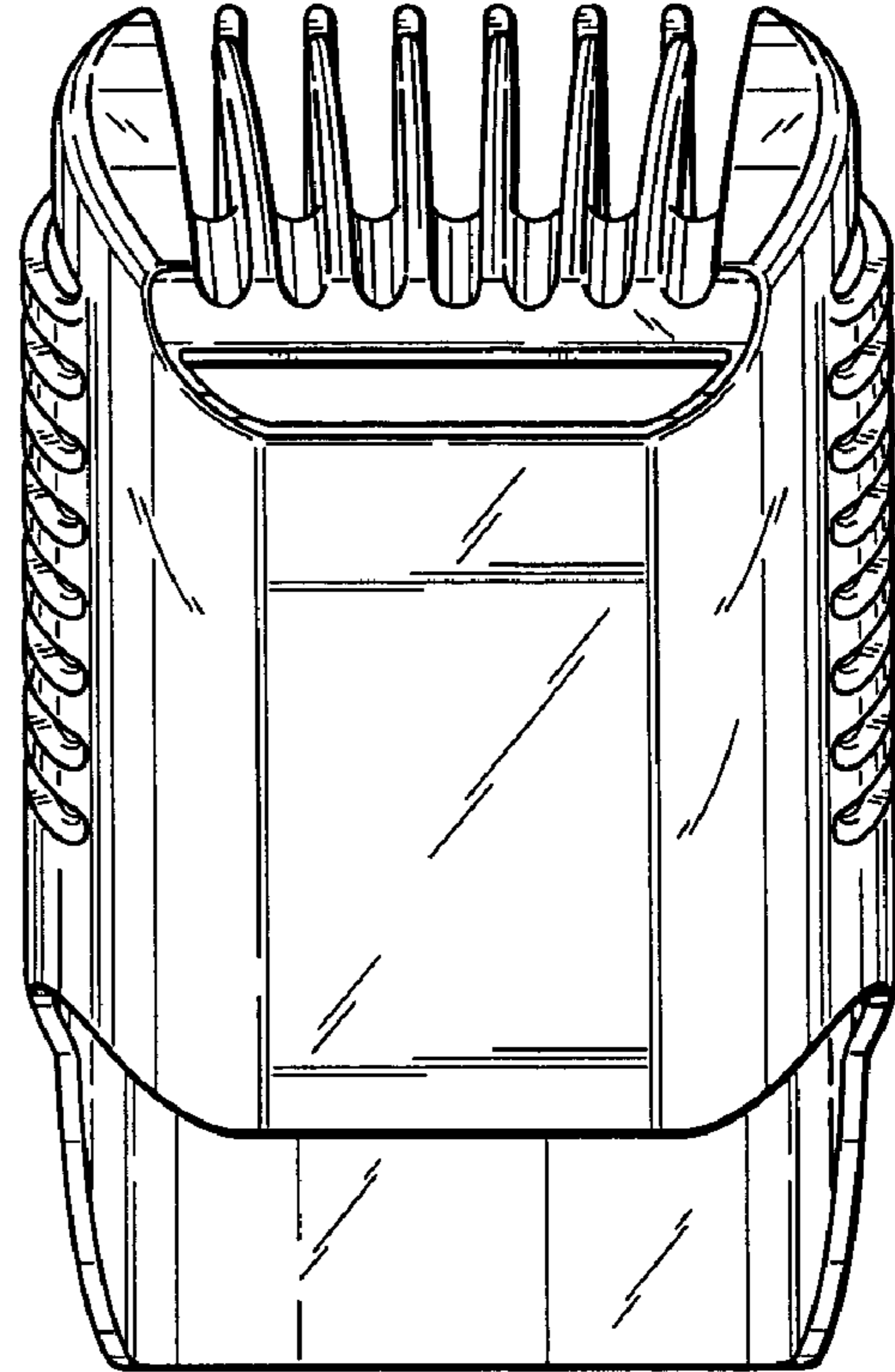


FIG. 5