



US00D463620S

(12) **United States Design Patent**  
**Smith**

(10) **Patent No.:** **US D463,620 S**

(45) **Date of Patent:** **\*\* Sep. 24, 2002**

(54) **CIGARETTE LIGHTER**

D413,180 S \* 8/1999 Maruyama ..... D27/141

(75) Inventor: **Andrew D. Smith**, Pascoag, RI (US)

\* cited by examiner

(73) Assignee: **Colibri Corporation**, Providence, RI (US)

*Primary Examiner*—Jennifer Rivard

(74) *Attorney, Agent, or Firm*—Salter & Mihcaelson

(\*\*) Term: **14 Years**

(57) **CLAIM**

The ornamental design for a cigarette lighter, as shown and described.

(21) Appl. No.: **29/156,615**

(22) Filed: **Mar. 4, 2002**

**DESCRIPTION**

(51) **LOC (7) Cl.** ..... **27-05**

FIG. 1 is a perspective view of a cigarette lighter showing my new design;

(52) **U.S. Cl.** ..... **D27/157**

FIG. 2 is a front elevational view thereof;

(58) **Field of Search** ..... D27/141, 142, D27/143, 148, 152–154, 155, 157, 159, 160; 431/129, 130, 132, 142–144, 151, 254–256, 267, 273–274, 277, 253

FIG. 3 is a rear elevational view thereof;

FIG. 4 is a left end view thereof;

FIG. 5 is a right end view thereof;

FIG. 6 is a top plan view thereof;

FIG. 7 is a bottom plan view thereof; and,

FIG. 8 is a perspective view showing the lighter in its operative mode with the cover in open position.

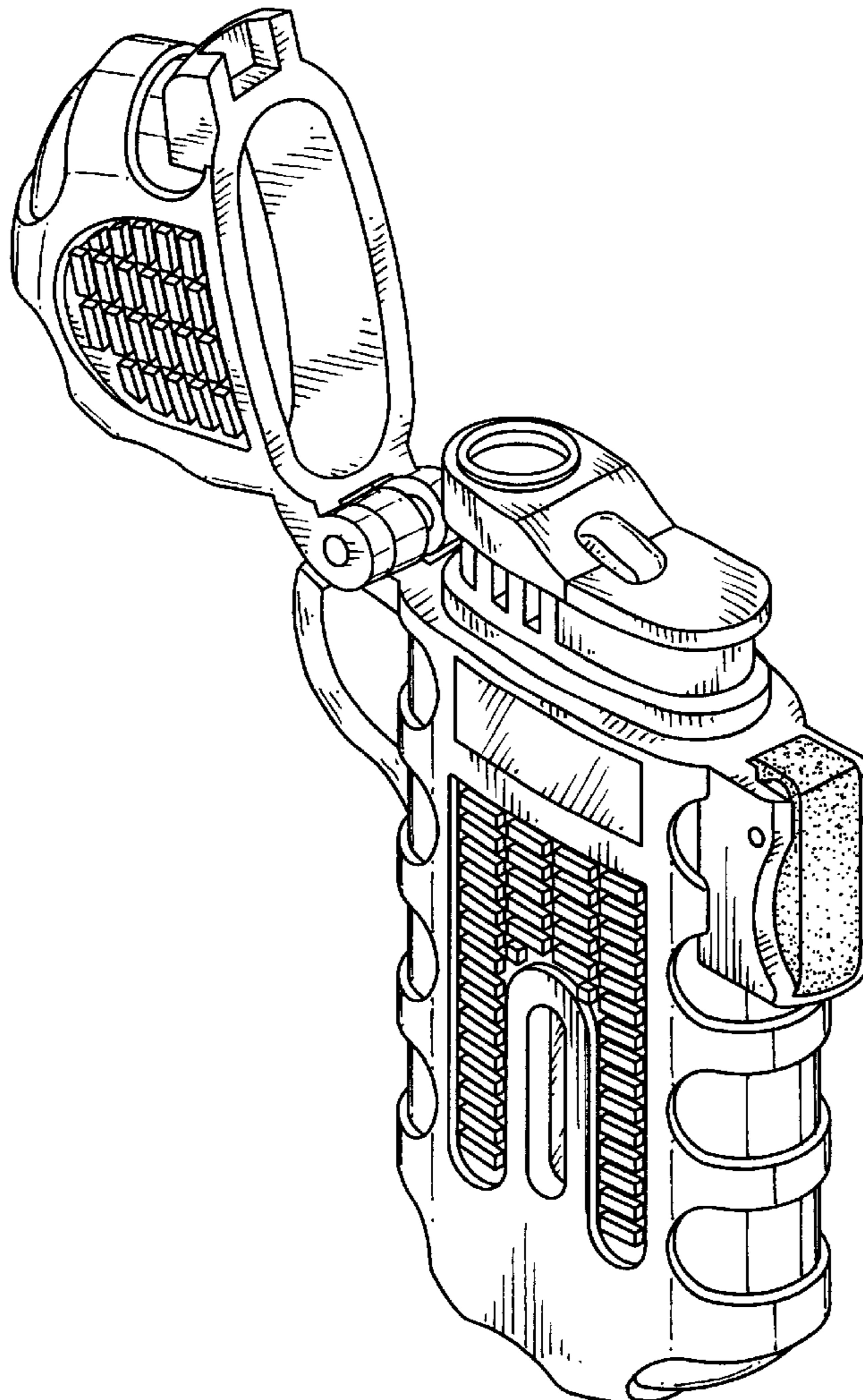
(56) **References Cited**

**U.S. PATENT DOCUMENTS**

D376,868 S \* 12/1996 Makoto ..... D27/157

D410,563 S \* 6/1999 Reynolds ..... D27/143

**1 Claim, 4 Drawing Sheets**



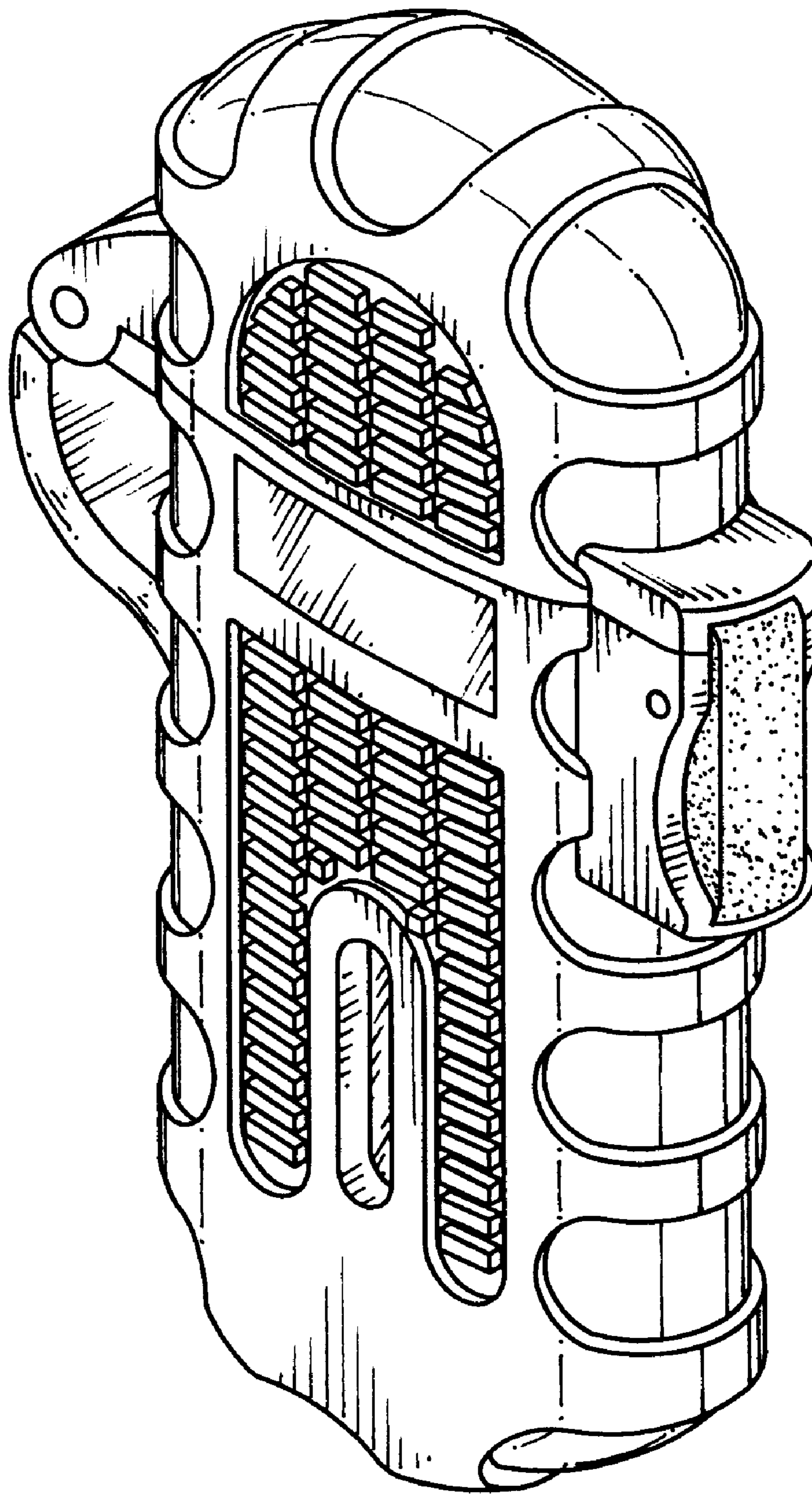


FIG. 1

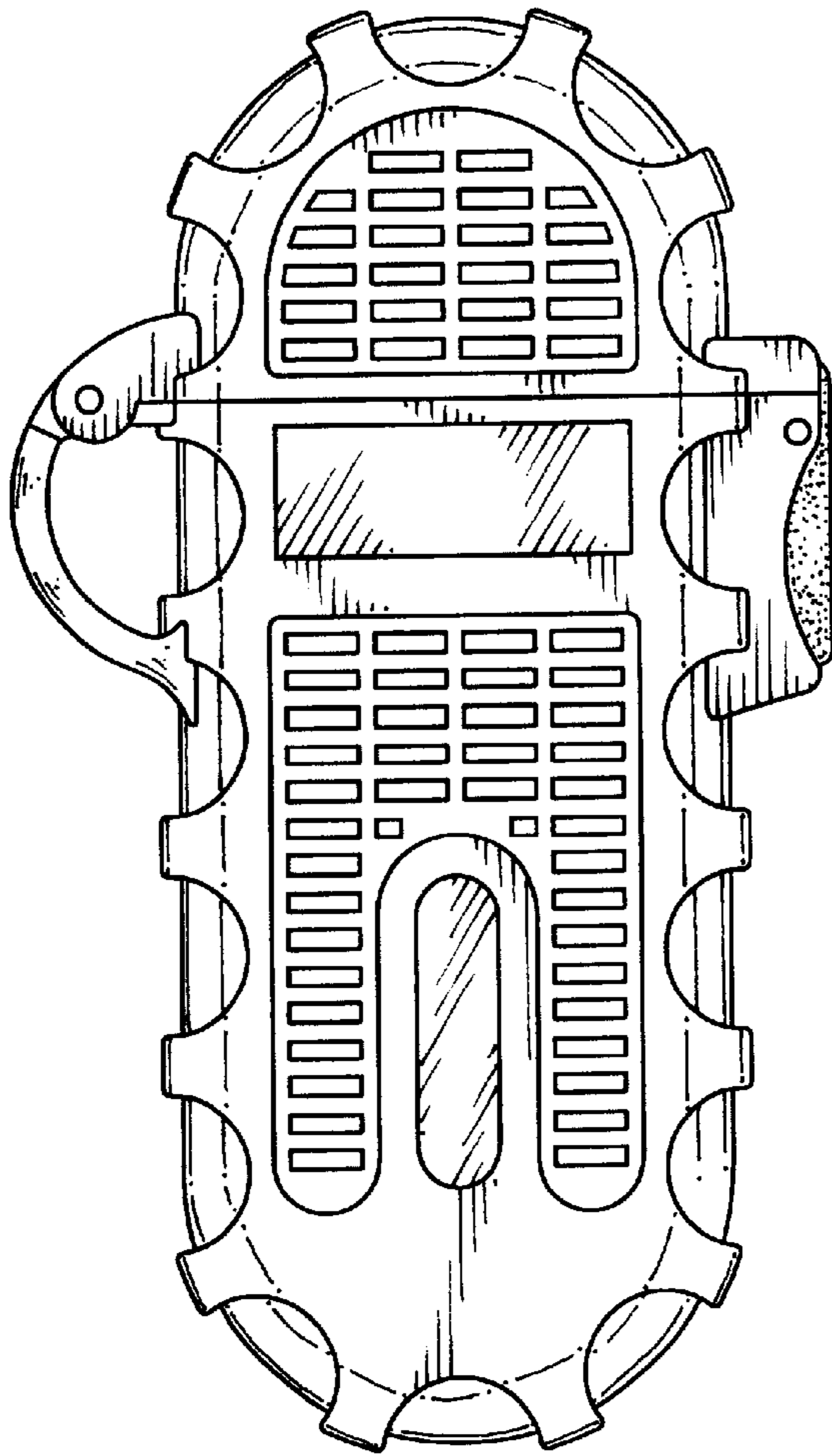


FIG. 2

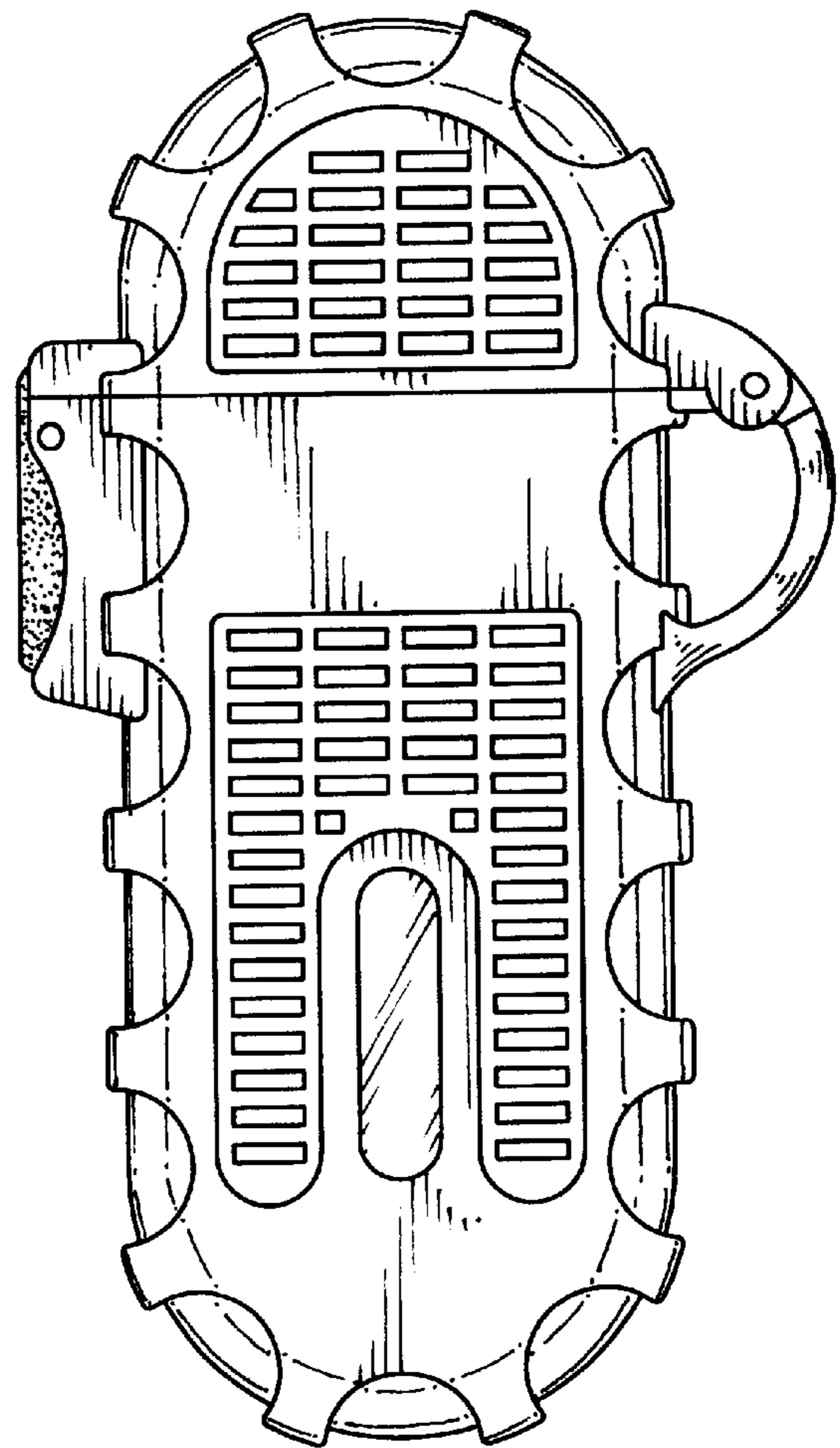


FIG. 3

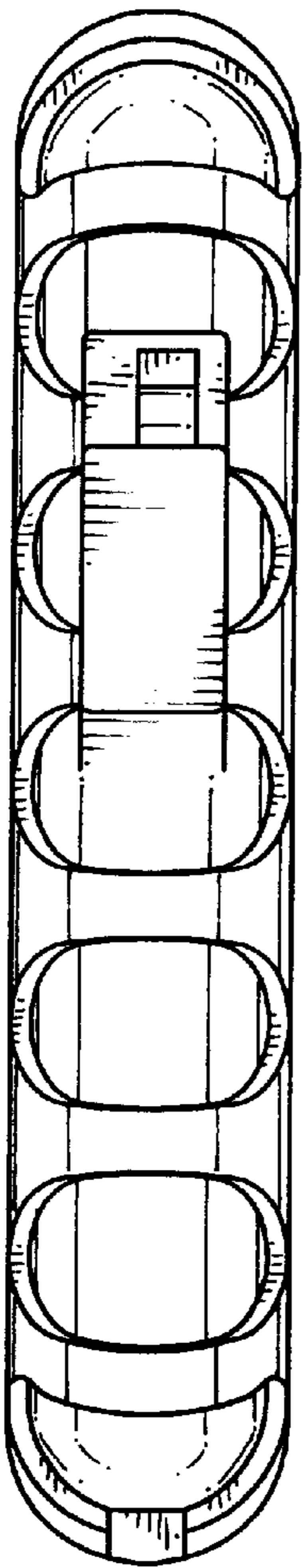


FIG. 4

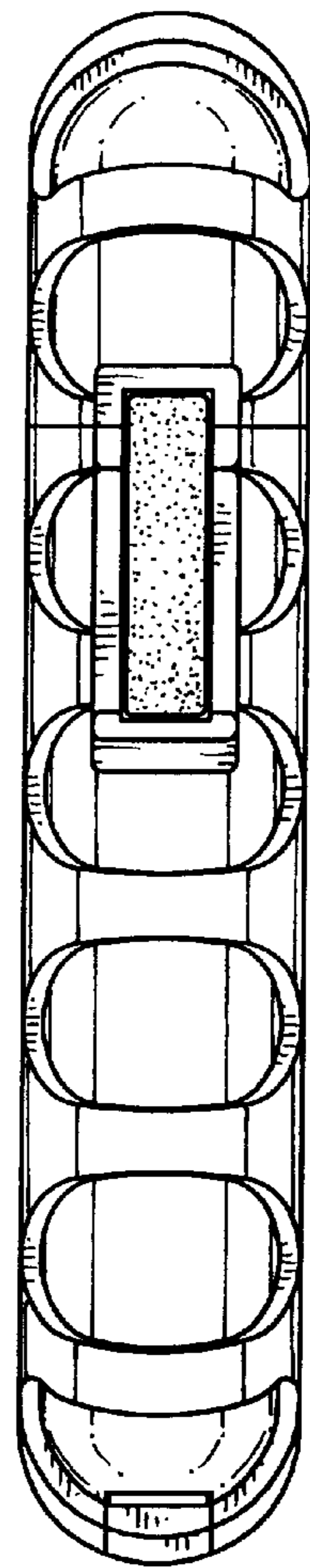


FIG. 5

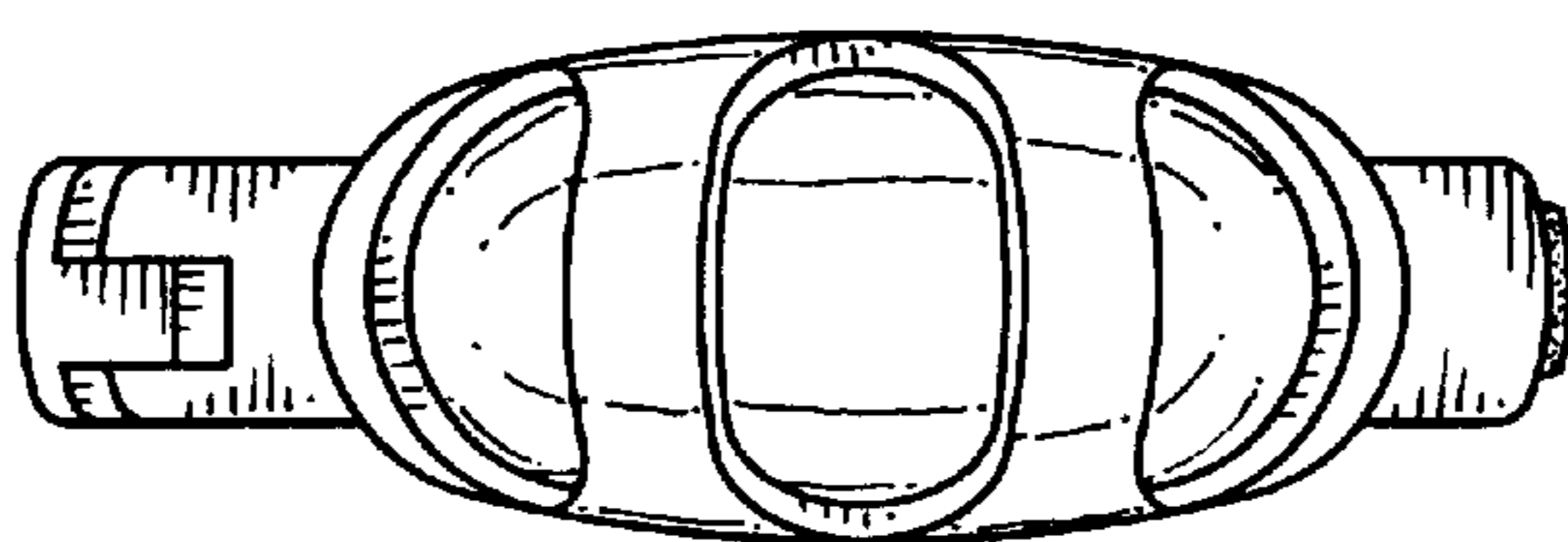


FIG. 6

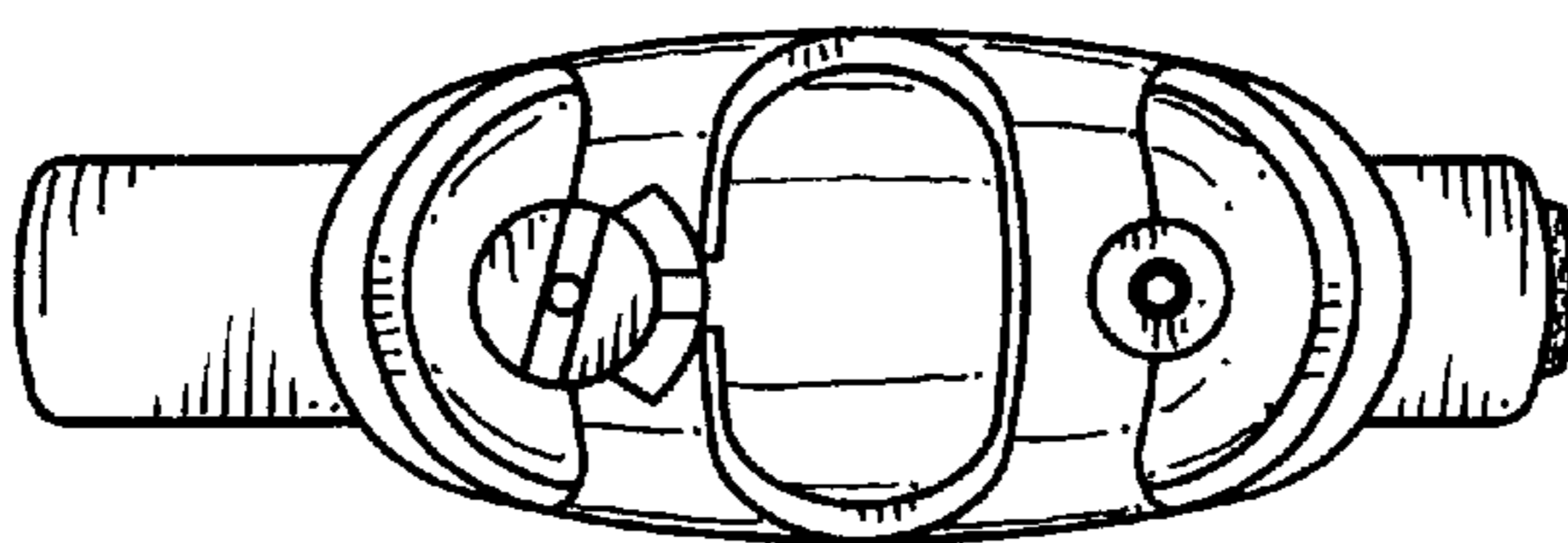


FIG. 7

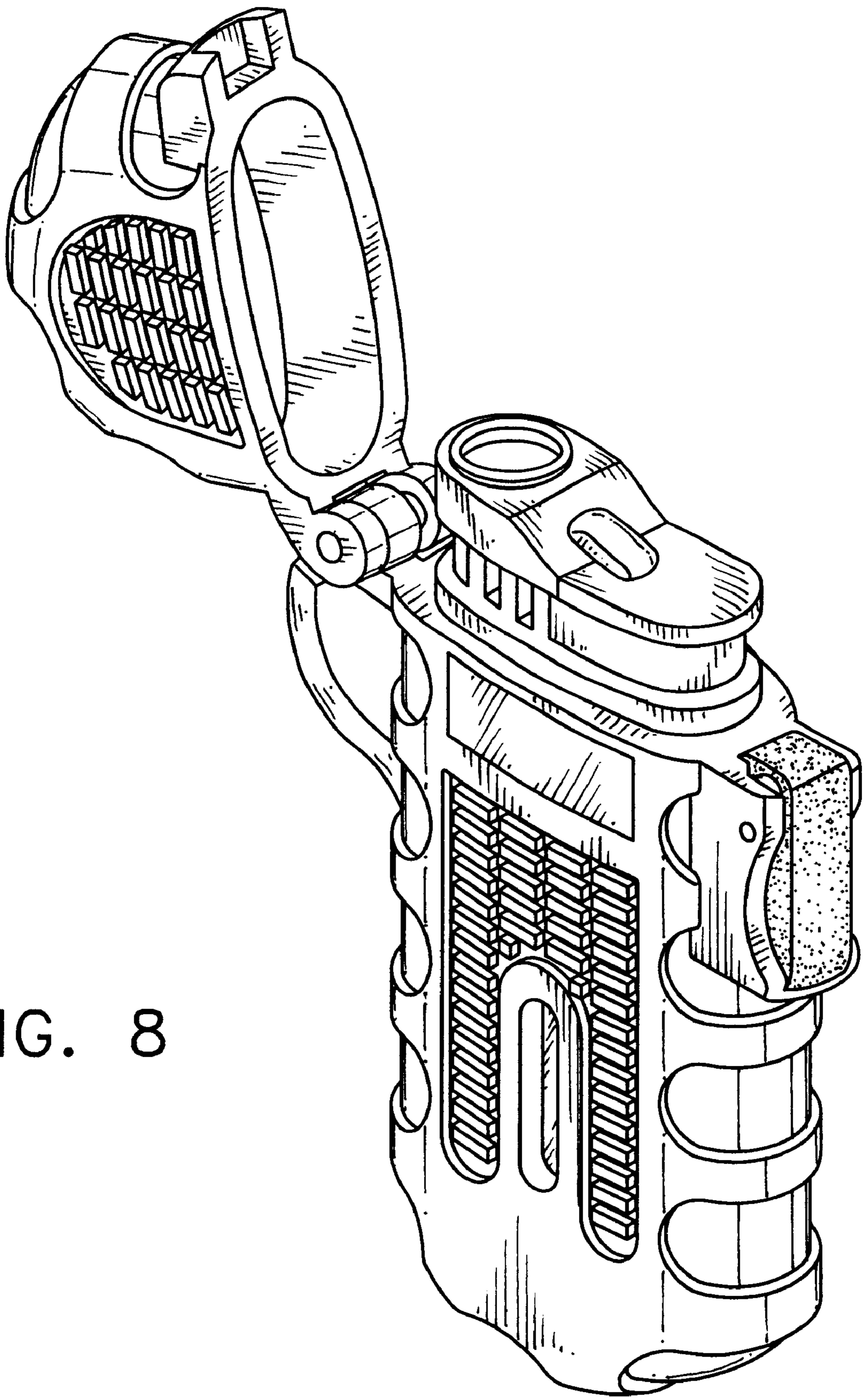


FIG. 8