



US00D463613S

(12) **United States Design Patent**  
**Block**

(10) **Patent No.:** **US D463,613 S**

(45) **Date of Patent:** **\*\* Sep. 24, 2002**

(54) **ROTATABLE MOUNTING FIXTURE FOR A LAMP**

D434,518 S \* 11/2000 Rivers ..... D26/142

\* cited by examiner

(76) **Inventor:** **Lawrence M. Block**, 1303 Western Ave., Las Vegas, NV (US) 89102-2502

*Primary Examiner*—Jennifer Rivard  
(74) *Attorney, Agent, or Firm*—Leonard Weiss

(\*\*) **Term:** **14 Years**

(57) **CLAIM**

(21) **Appl. No.:** **29/151,664**

The ornamental design for a rotatable mounting fixture for a lamp, as shown and described.

(22) **Filed:** **Dec. 6, 2001**

**DESCRIPTION**

(51) **LOC (7) Cl.** ..... **26-99**

(52) **U.S. Cl.** ..... **D26/142; D26/110**

(58) **Field of Search** ..... D26/93, 102-112, D26/138, 142-151, 153; 362/410-414

FIG. 1 is a perspective view rotatable mounting fixture for a lamp showing my new design;  
FIG. 2 is a top plan view thereof;  
FIG. 3 is a bottom plan view thereof;  
FIG. 4 is a perspective view thereof after having been rotated with respect to its base; and,  
FIG. 5 is a perspective view thereof with a panel removed.

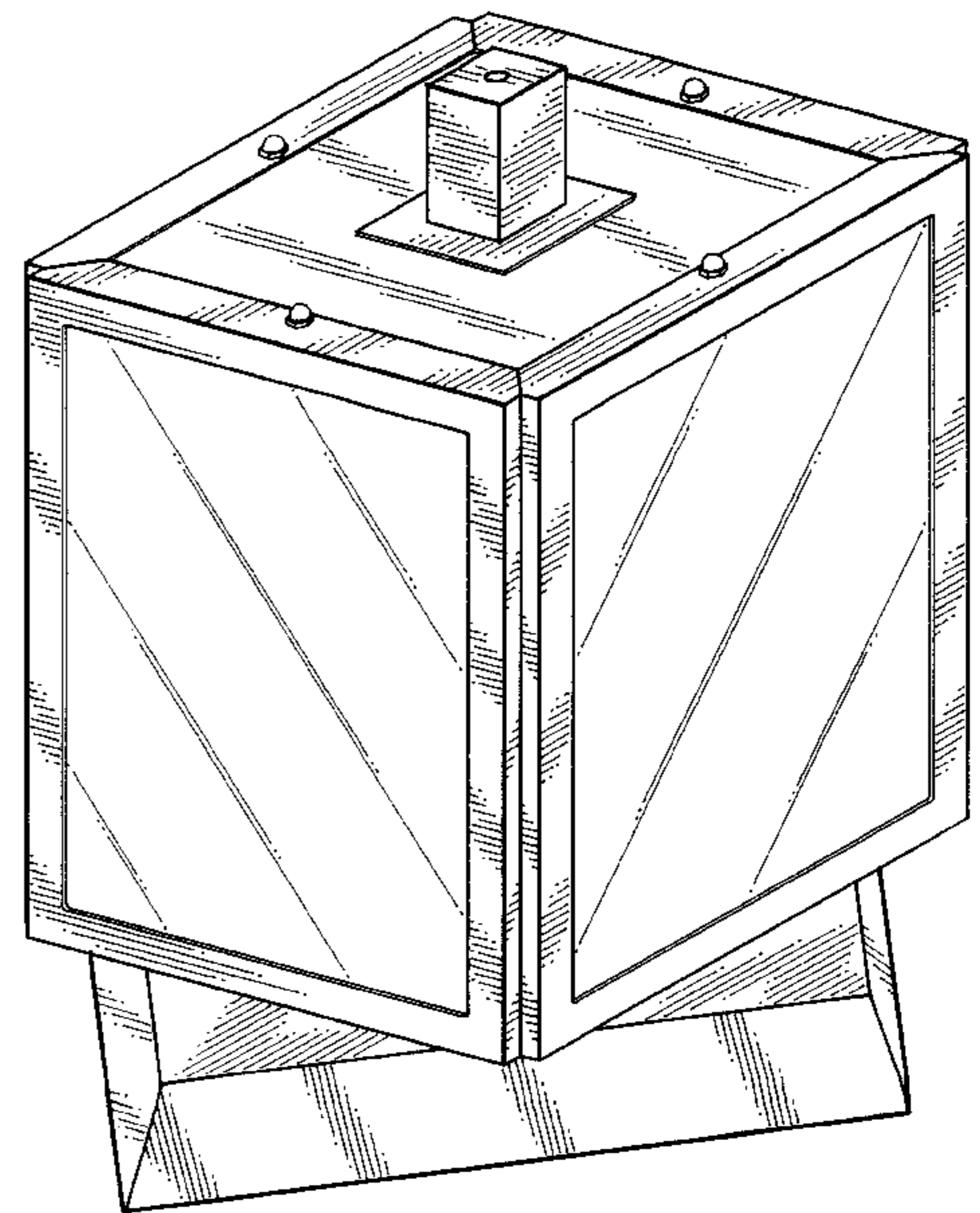
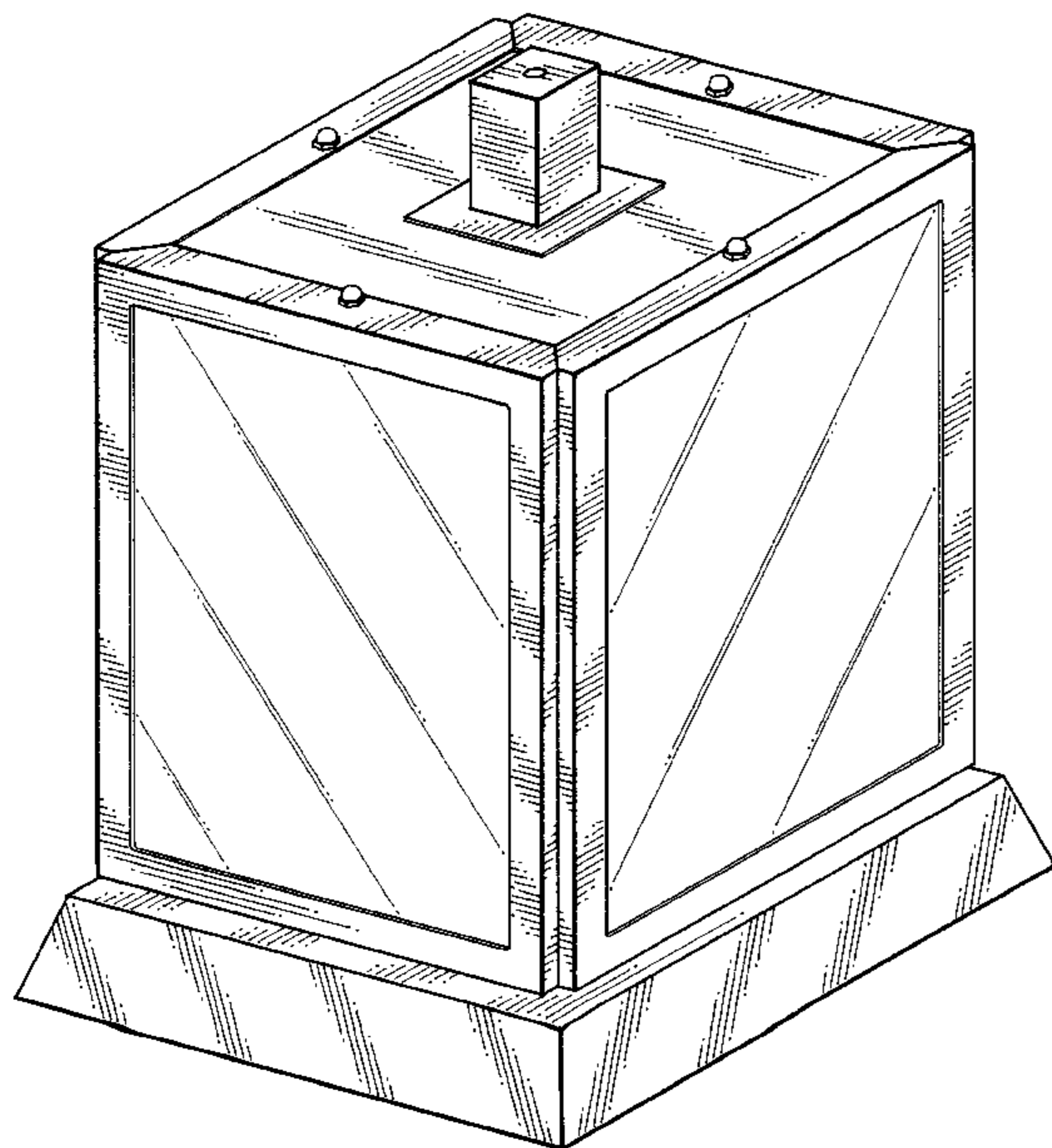
(56) **References Cited**

**U.S. PATENT DOCUMENTS**

D345,024 S \* 3/1994 Fox ..... D26/93

D430,694 S \* 9/2000 Chiang ..... D26/110

**1 Claim, 4 Drawing Sheets**



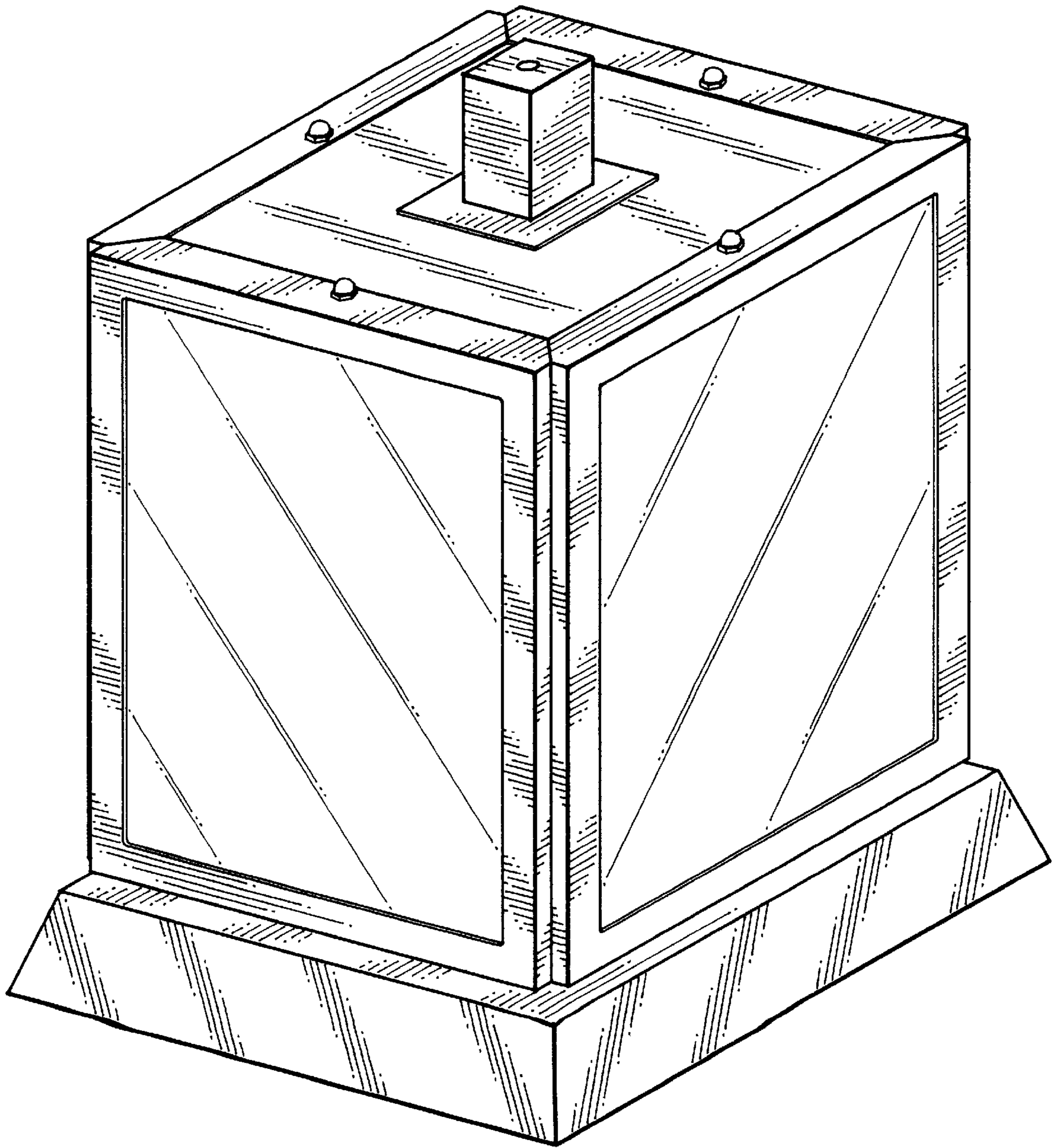


FIG. 1

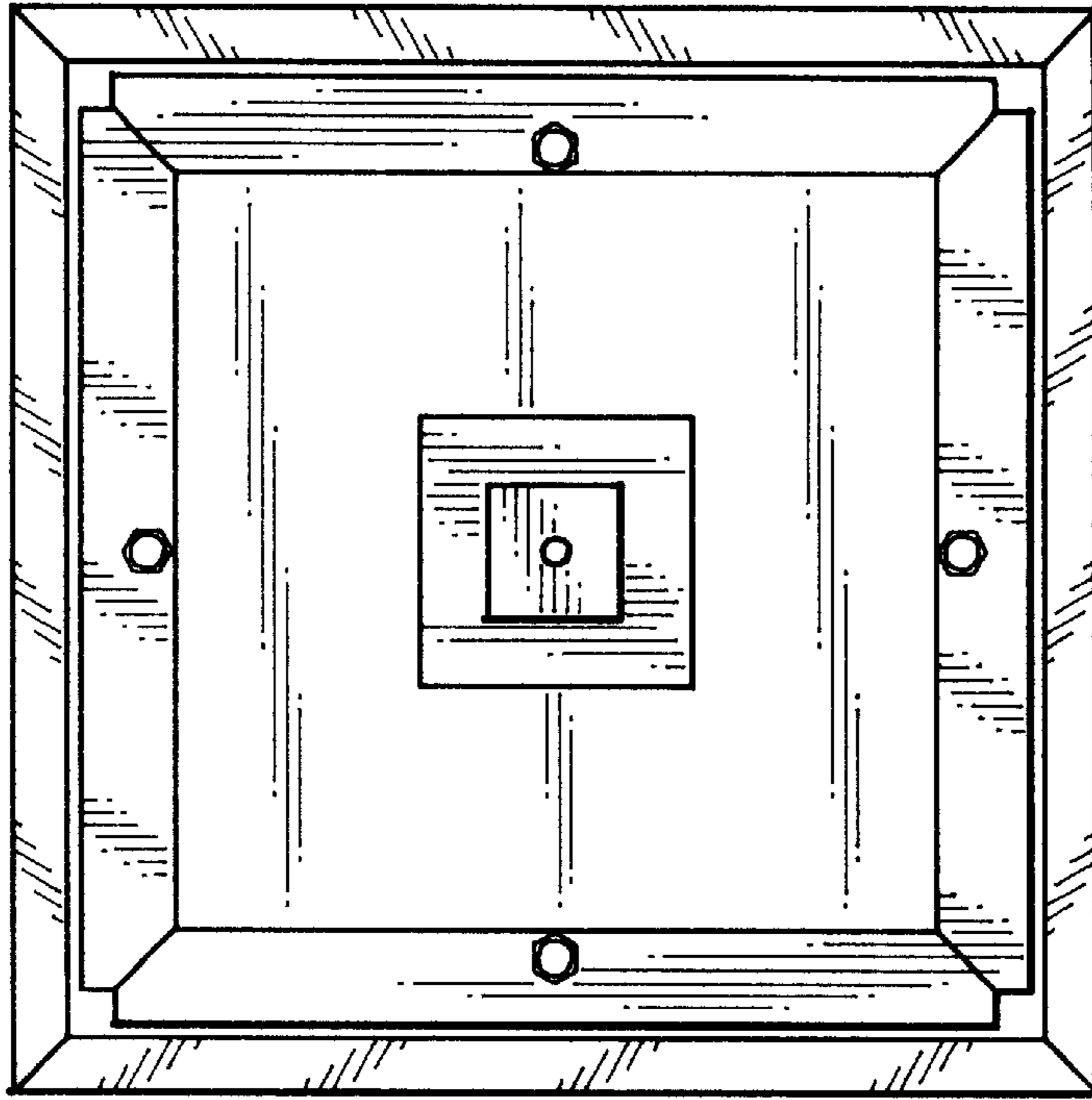


FIG. 2

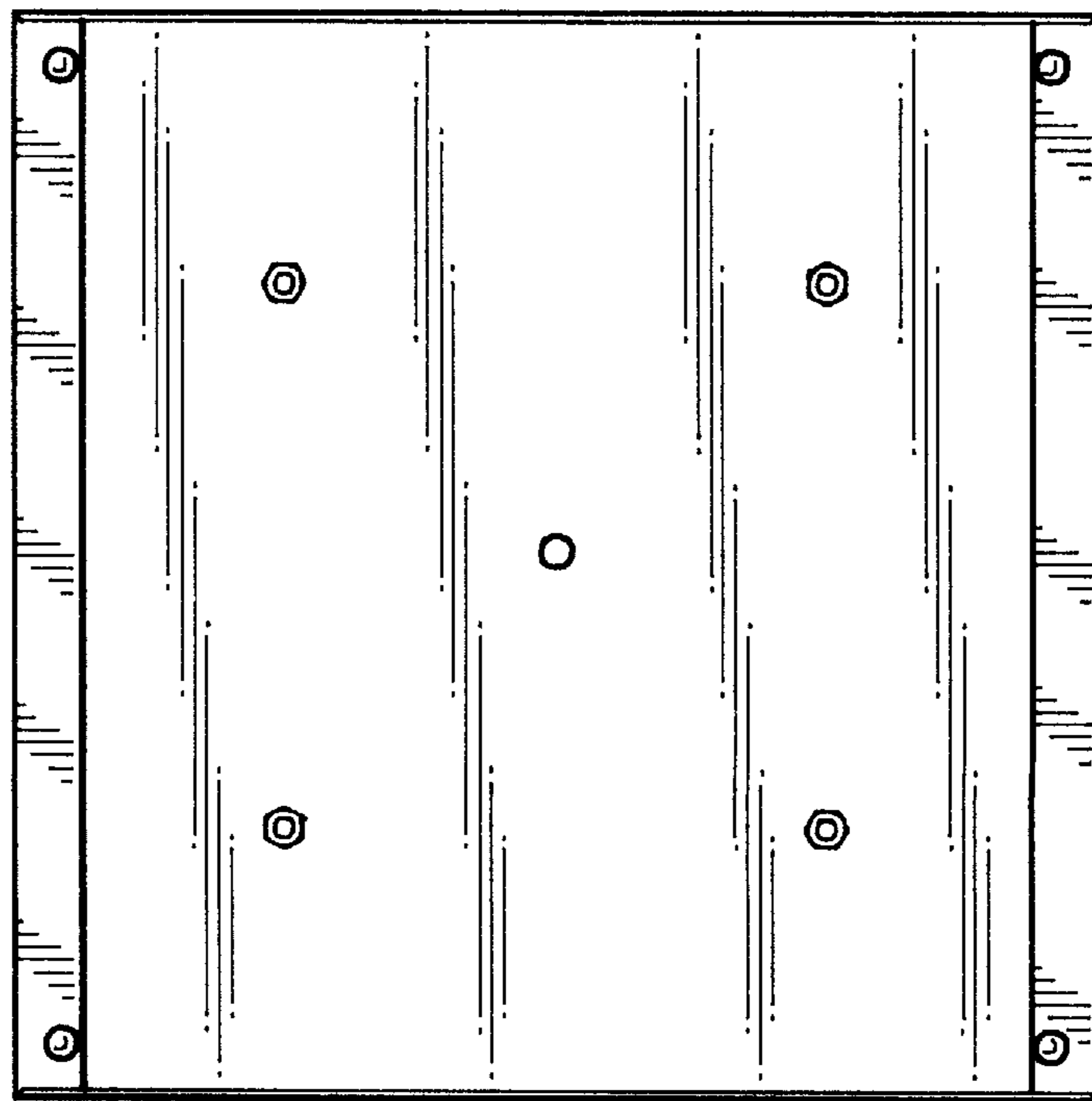


FIG. 3

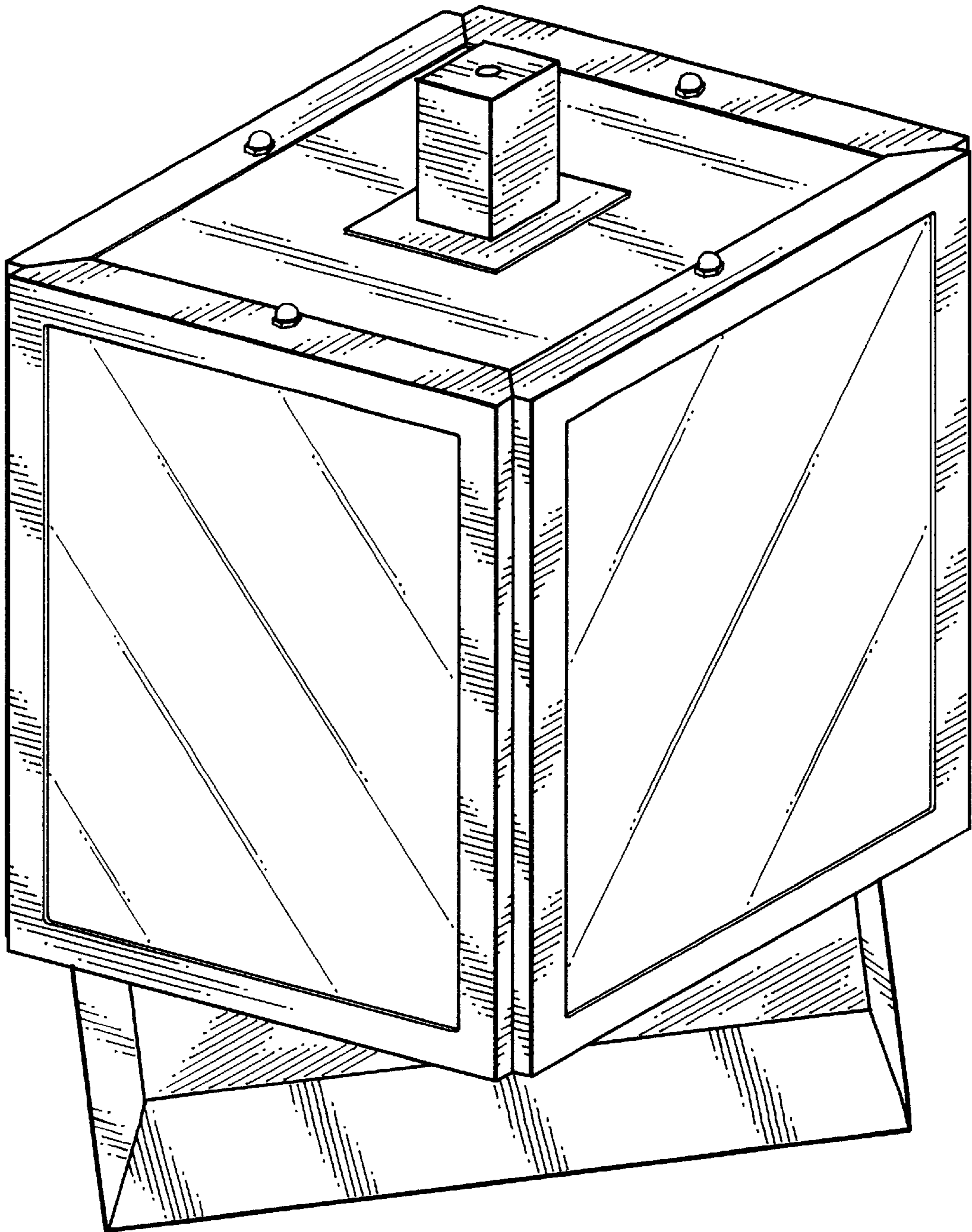


FIG. 4

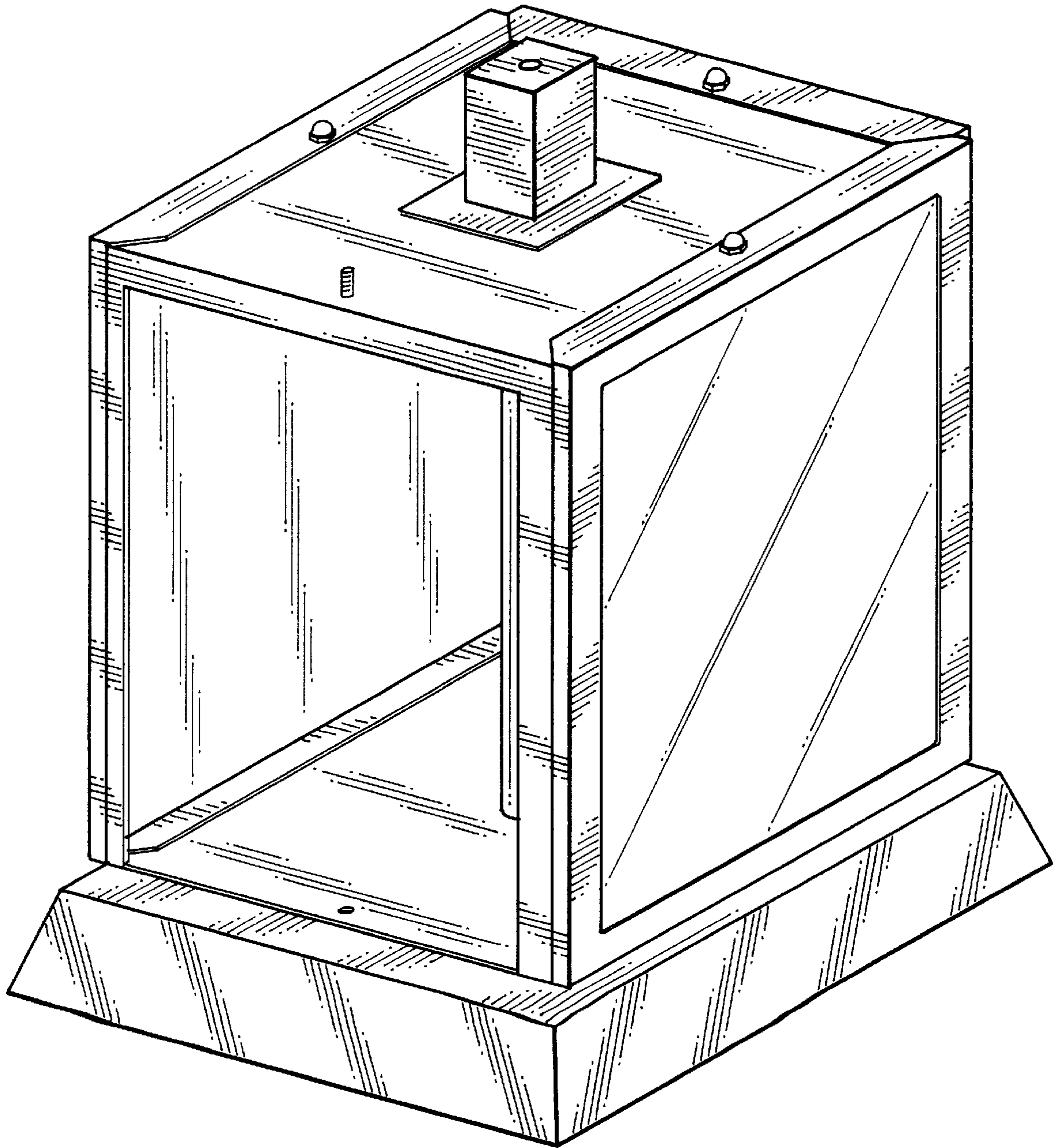


FIG. 5