



US00D463609S

(12) **United States Design Patent**  
**Dolan**

(10) **Patent No.:** **US D463,609 S**

(45) **Date of Patent:** **\*\* Sep. 24, 2002**

(54) **COMBINED TORCHIERE LAMP AND ADJUSTABLE ACCENT LIGHTS**

(76) Inventor: **Patrick S. Dolan**, 1901 NW. Upshur, Portland, OR (US) 97209

(\*\*) Term: **14 Years**

(21) Appl. No.: **29/148,848**

(22) Filed: **Sep. 28, 2001**

(51) **LOC (7) Cl.** ..... **26-03**

(52) **U.S. Cl.** ..... **D26/102**

(58) **Field of Search** ..... D26/93, 102-112;  
362/410-414, 431, 275, 277-287, 413,  
427, 428, 438

(56) **References Cited**

**U.S. PATENT DOCUMENTS**

5,221,141 A	6/1993	Swanson
D347,904 S	6/1994	Swanson
D353,904 S	12/1994	Swanson
D423,705 S	4/2000	Swanson
D426,909 S	6/2000	Swanson
D427,358 S	6/2000	Swanson
D427,359 S	6/2000	Swanson
D427,360 S	6/2000	Swanson
D427,361 S	6/2000	Dolan
D427,710 S	7/2000	Swanson
D432,704 S	10/2000	Swanson

**OTHER PUBLICATIONS**

Grandrich Cerritos, CA 1999, p. 49 Model—G1107.  
Trend Lighting Arcadia, CA 1997, #151597 p. 3 Model TF5818.

Kenroy Jacksonville, FL 2001, p. 26 Model 20545 BL.

Kenroy Jacksonville, FL 2001, p. 39 Model 20515 BB.

Kenroy Jacksonville, FL 2001, p. 28 Model 20566 BS.  
Kenroy/Hunter Jacksonville, FL 1998, p. 51 Model 20711 BS.

Light Stuff NY NY 1996, p. 9 Model 1121.

Diamond Classics Arcadia, CA 1993, p. 24 Model D5561-07.

Lite Source, Inc. Chino, CA 1998, p. S-262 Model LS-9434.

Adesso Lighting NY, NY 1997, p. 19, Model 1122.

Adesso NY, NY 1997. Supplement p. 3 Model 7504.

Diamond Classics Arcadia, CA 1993, p. 27 #D5560-07.

Lightolier Jersey City, NJ Cat. 27058, 1985 p. 100 Model #7106.

Kovacs Glendale, NY 1998, p. 11 #3320.

Kovacs Glendale NY 1998, p. 7 #3322.

*Primary Examiner*—Alan P. Douglas

*Assistant Examiner*—Linda Brooks

(57) **CLAIM**

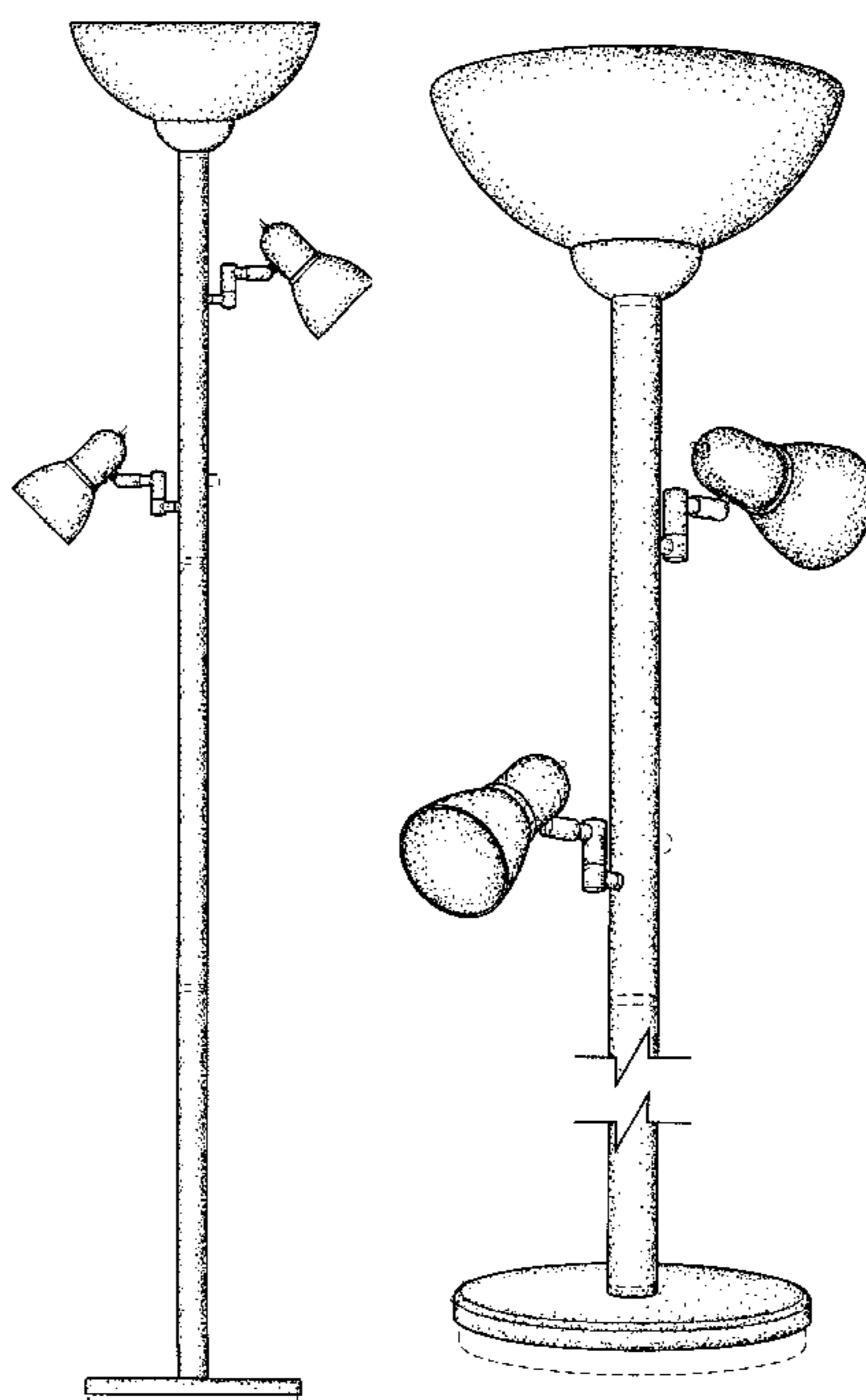
The ornamental design for a combined torchiere lamp and adjustable accent lights, as shown and described.

**DESCRIPTION**

FIG. 1 is a full front elevational view thereof;  
FIG. 2 is an enlarged fragmentary perspective view, for clarity of illustration;  
FIG. 3 is a front elevational view of FIG. 2;  
FIG. 4 is a right side view of FIG. 2;  
FIG. 5 is a left side view of FIG. 2;  
FIG. 6 is a top plan view of FIG. 2; and,  
FIG. 7 is a bottom plan view of FIG. 2.

The broken line showing of environmental structure in FIGS. 1-7 is for illustrative purposes only and forms no part of the claimed design.

**1 Claim, 7 Drawing Sheets**



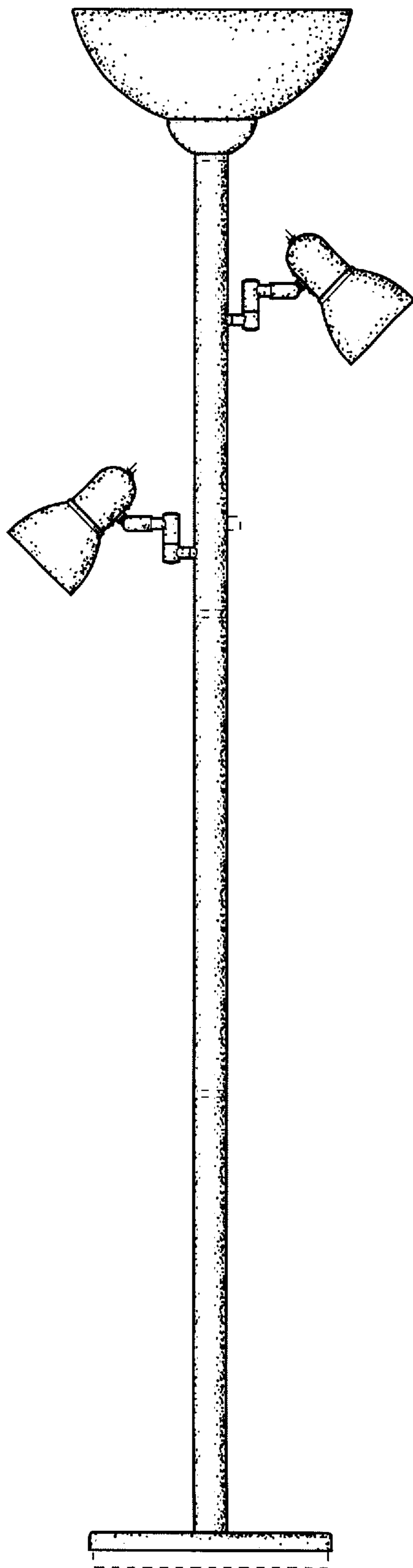


FIG. 1

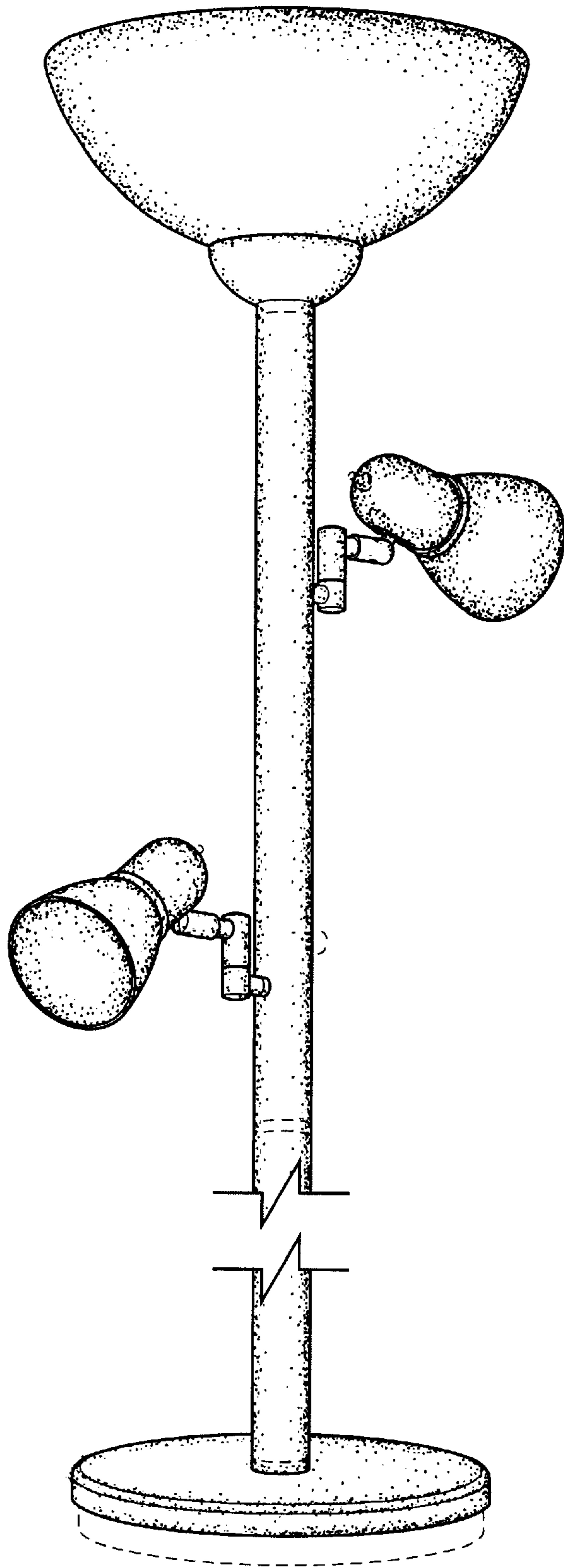


FIG. 2

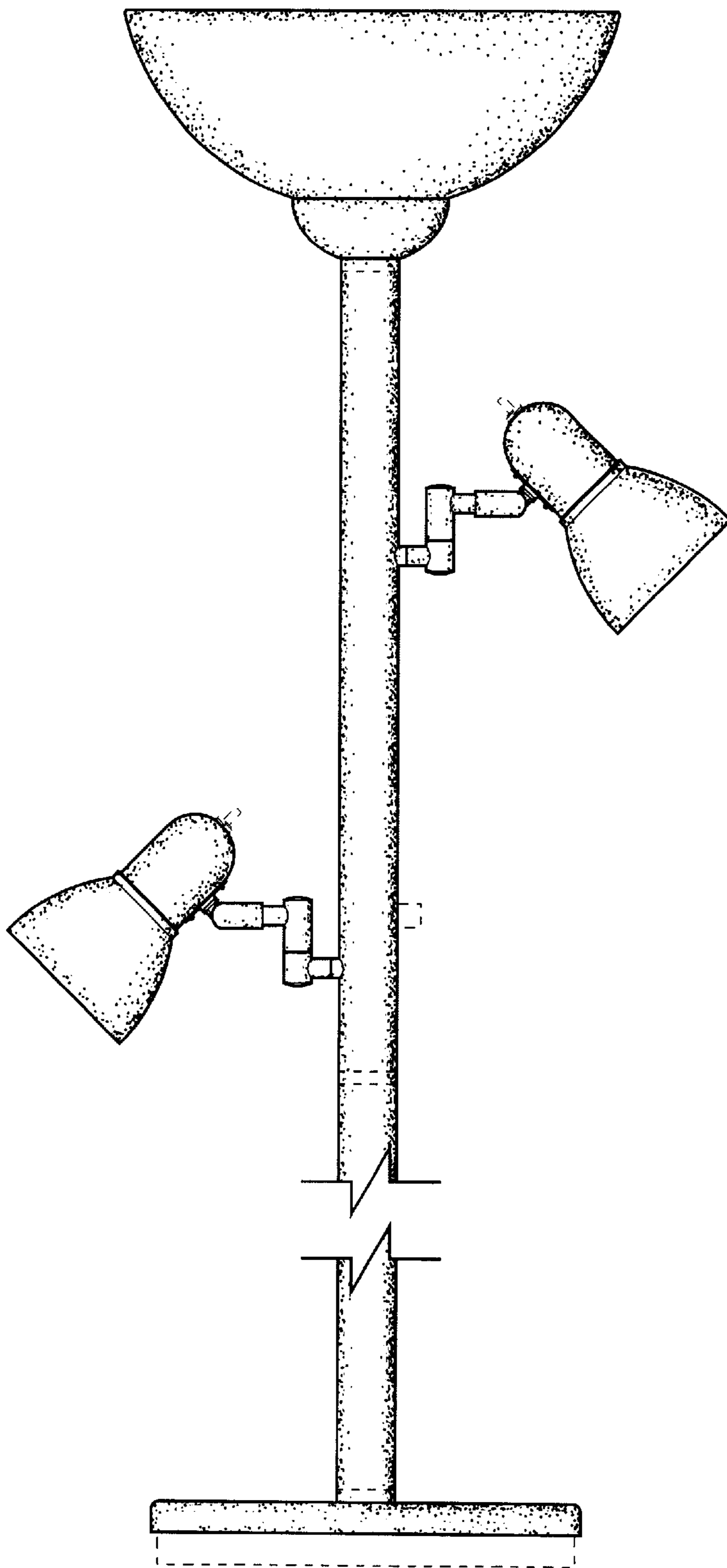


FIG. 3

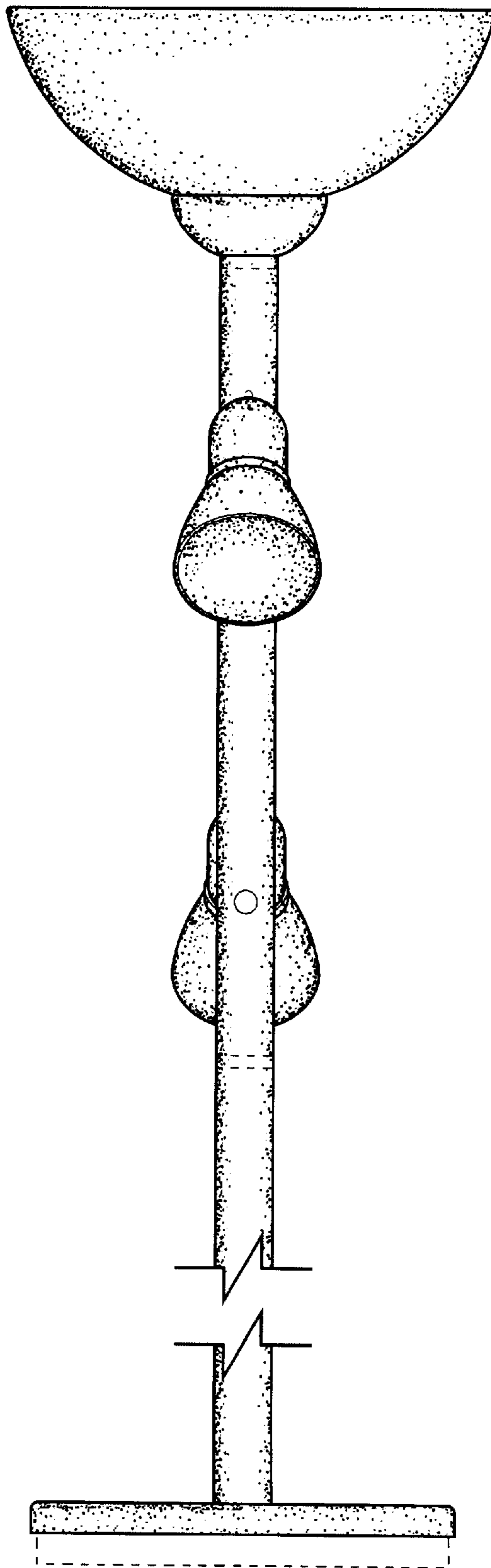


FIG. 4

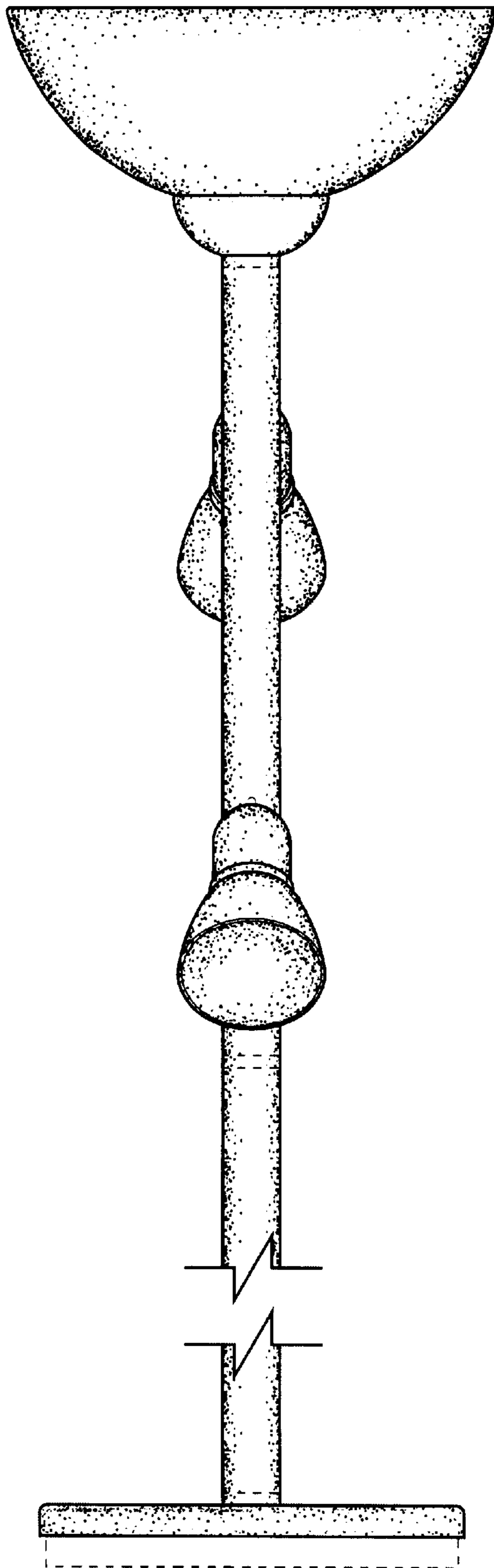
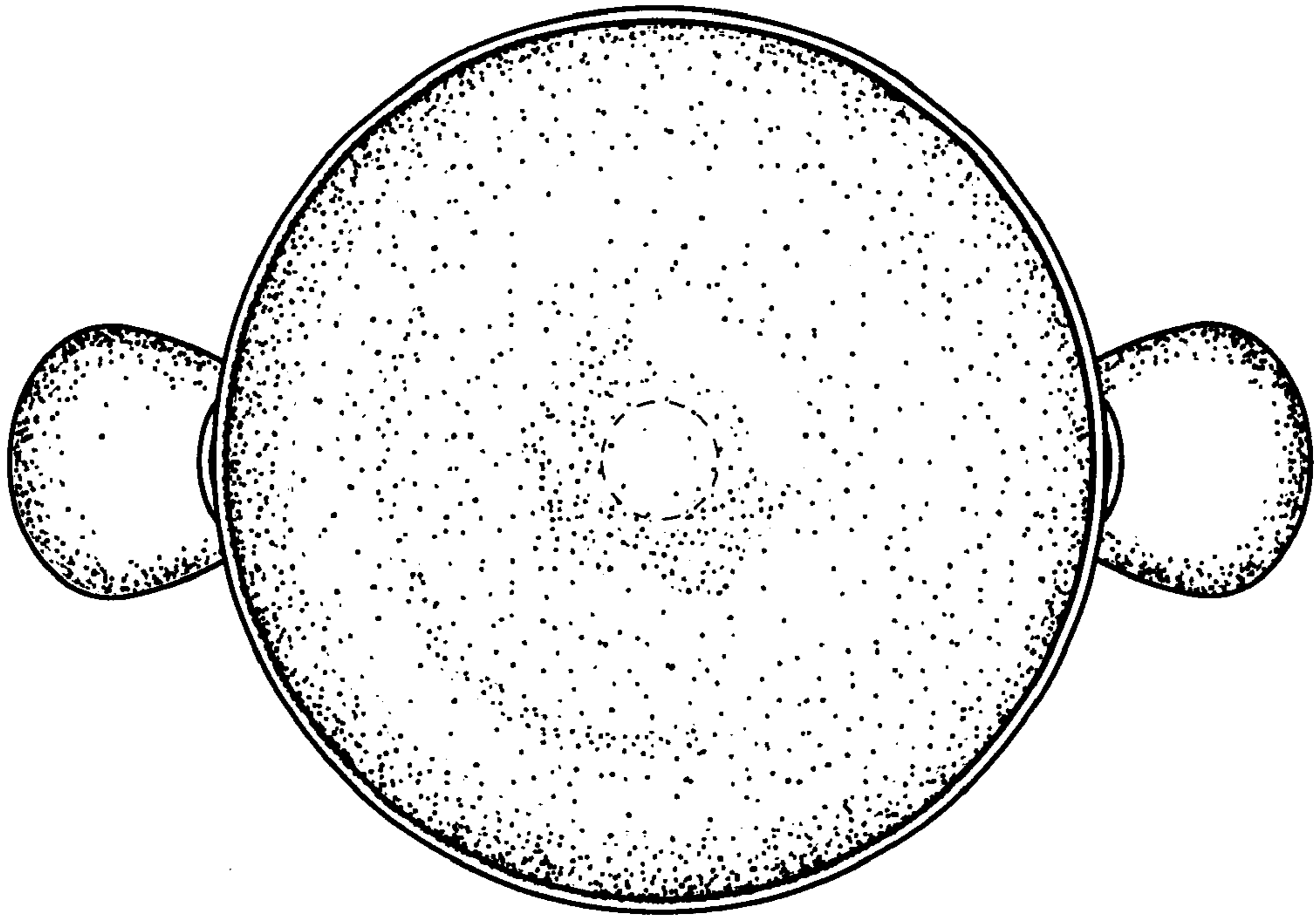
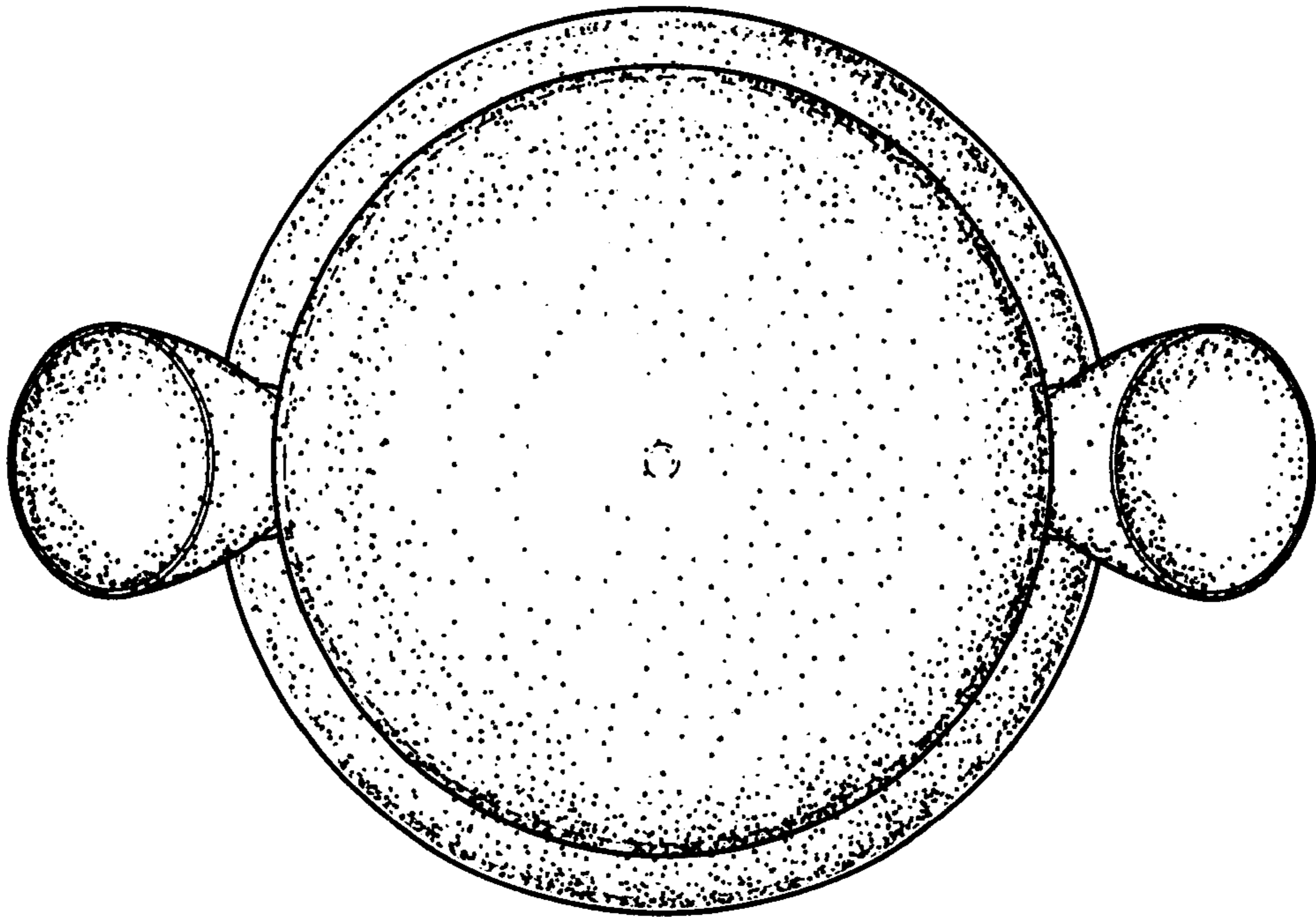


FIG. 5





**FIG. 6**



**FIG. 7**