



US00D463607S

(12) **United States Design Patent** (10) **Patent No.:** **US D463,607 S**
Ho (45) **Date of Patent:** **** Sep. 24, 2002**

(54) **DESK LAMP**

(76) Inventor: **Sheng-Chin Ho**, P.O. Box 82-144,
Taipei (TW)

(**) Term: **14 Years**

(21) Appl. No.: **29/147,131**

(22) Filed: **Aug. 24, 2001**

(51) **LOC (7) Cl.** **26-03**

(52) **U.S. Cl.** **D26/99**

(58) **Field of Search** D26/93-112; 362/410-414,
362/806, 808; D11/157, 158, 160

(56) **References Cited**

U.S. PATENT DOCUMENTS

D72,690 S	*	5/1927	Baldwin	D26/99
D345,028 S	*	3/1994	Alvarez Baranga	D26/99
D438,666 S	*	3/2001	Vonner, II	D26/99

* cited by examiner

Primary Examiner—Alan P. Douglas

Assistant Examiner—Linda Brooks

(74) *Attorney, Agent, or Firm*—Leong C. Lei

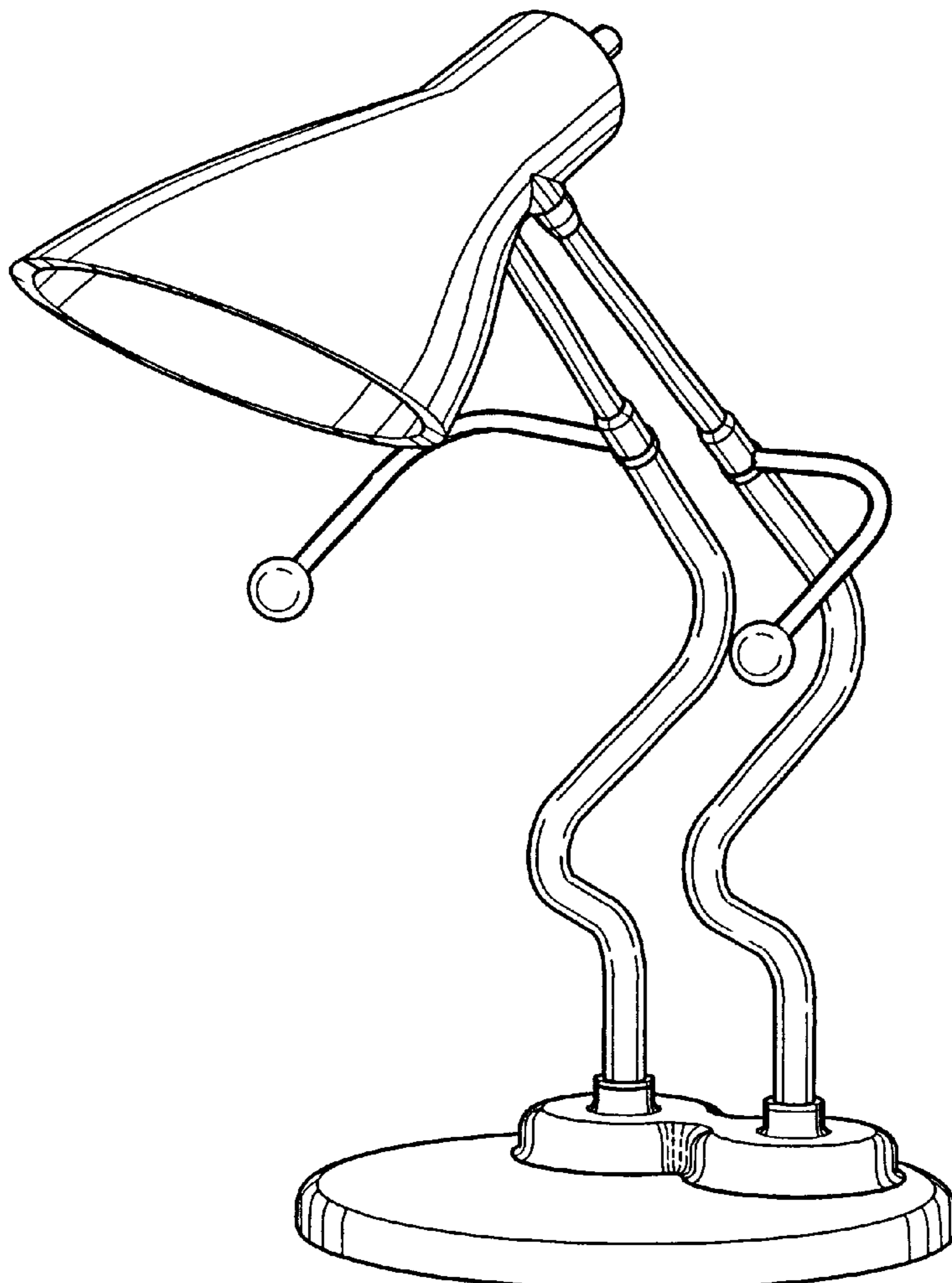
(57) **CLAIM**

The ornamental design for a desk lamp, as shown and described.

DESCRIPTION

FIG. 1 is a front side elevation view thereof;
 FIG. 2 is a left side elevation view thereof;
 FIG. 3 is a right side elevation view thereof;
 FIG. 4 is a rear side elevation view thereof;
 FIG. 5 is a top plan view thereof; and
 FIG. 6 is a bottom plan view thereof; and,
 FIG. 7 is a perspective view of a desk lamp showing the new design.

1 Claim, 4 Drawing Sheets



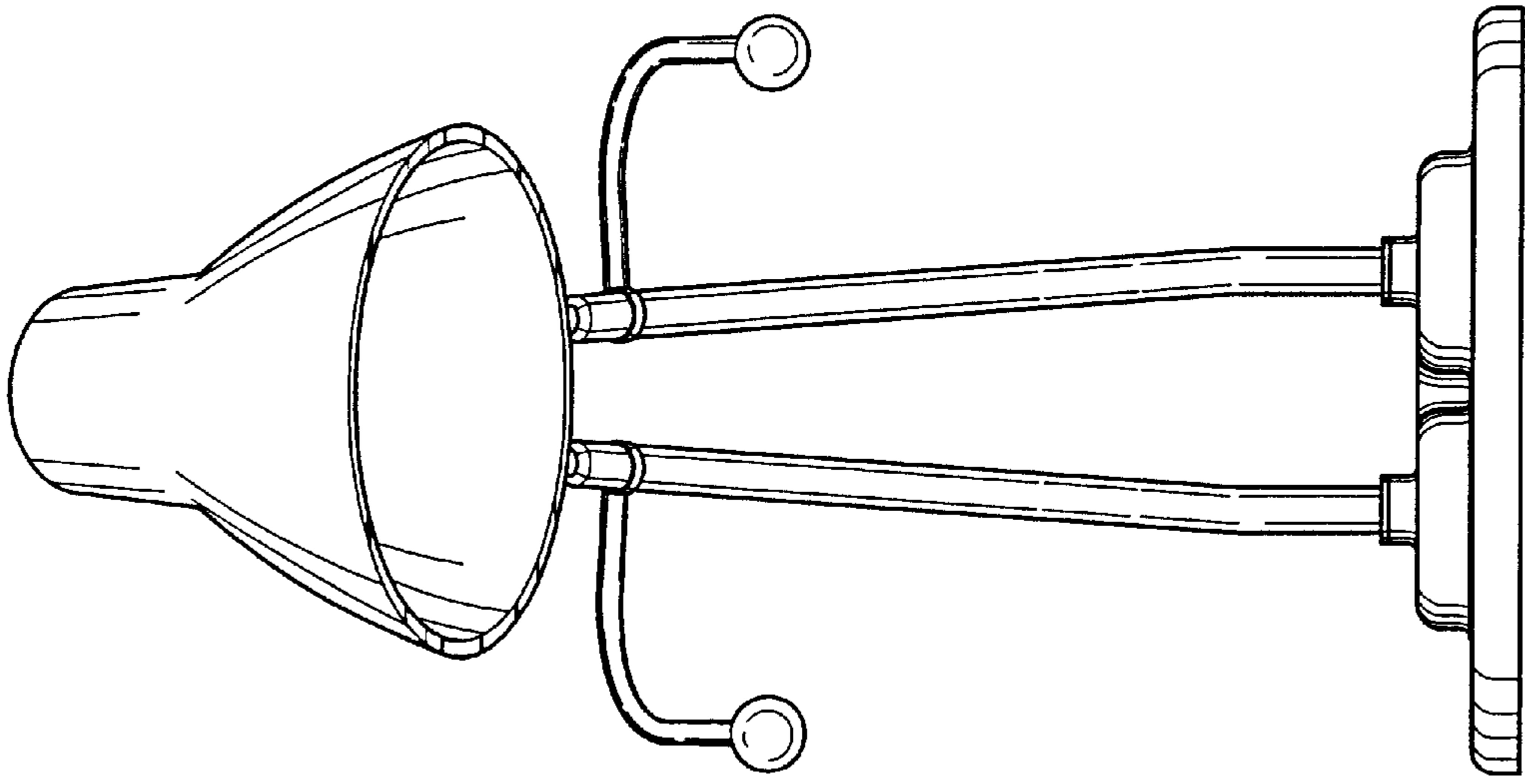


FIG. 1

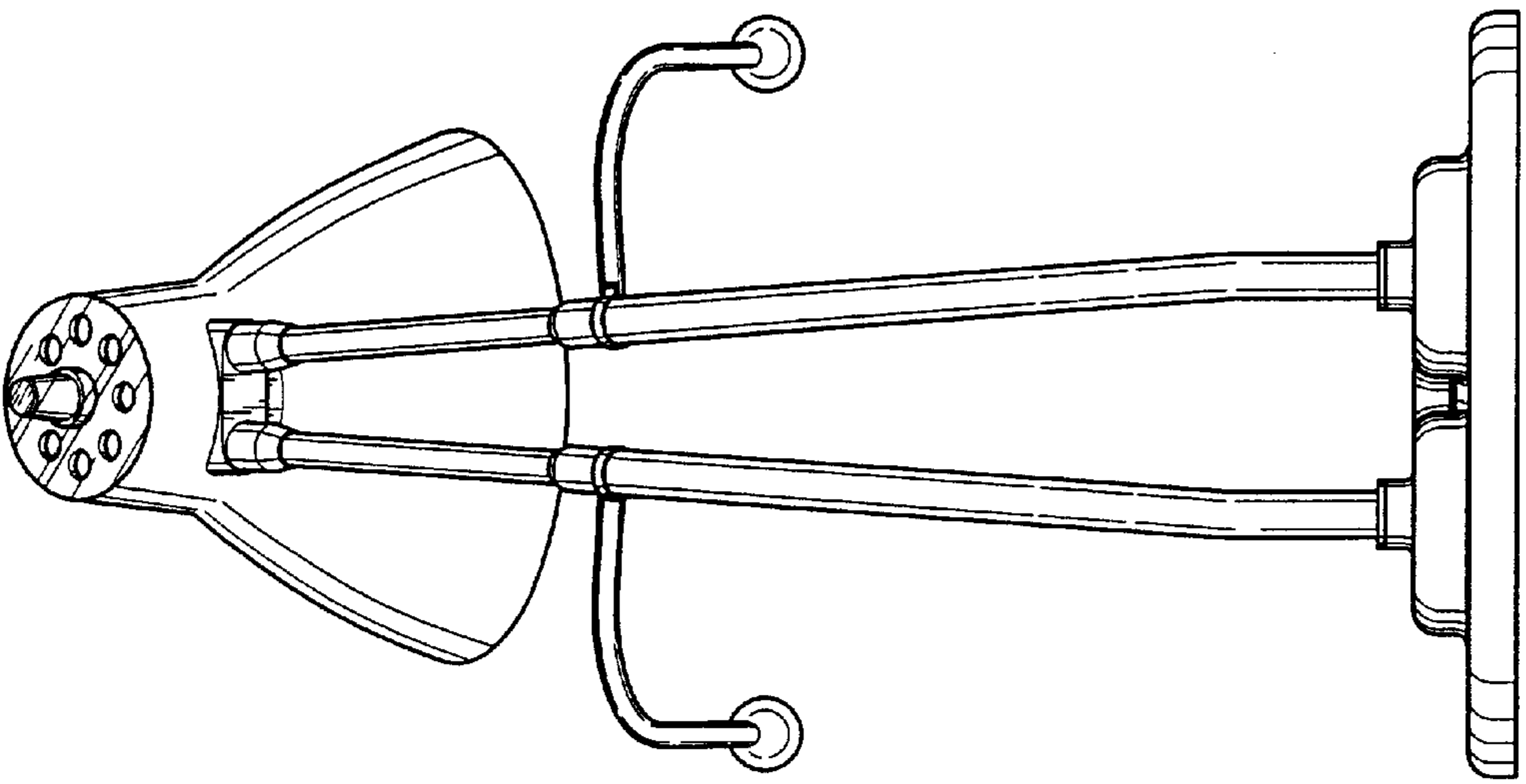


FIG. 4

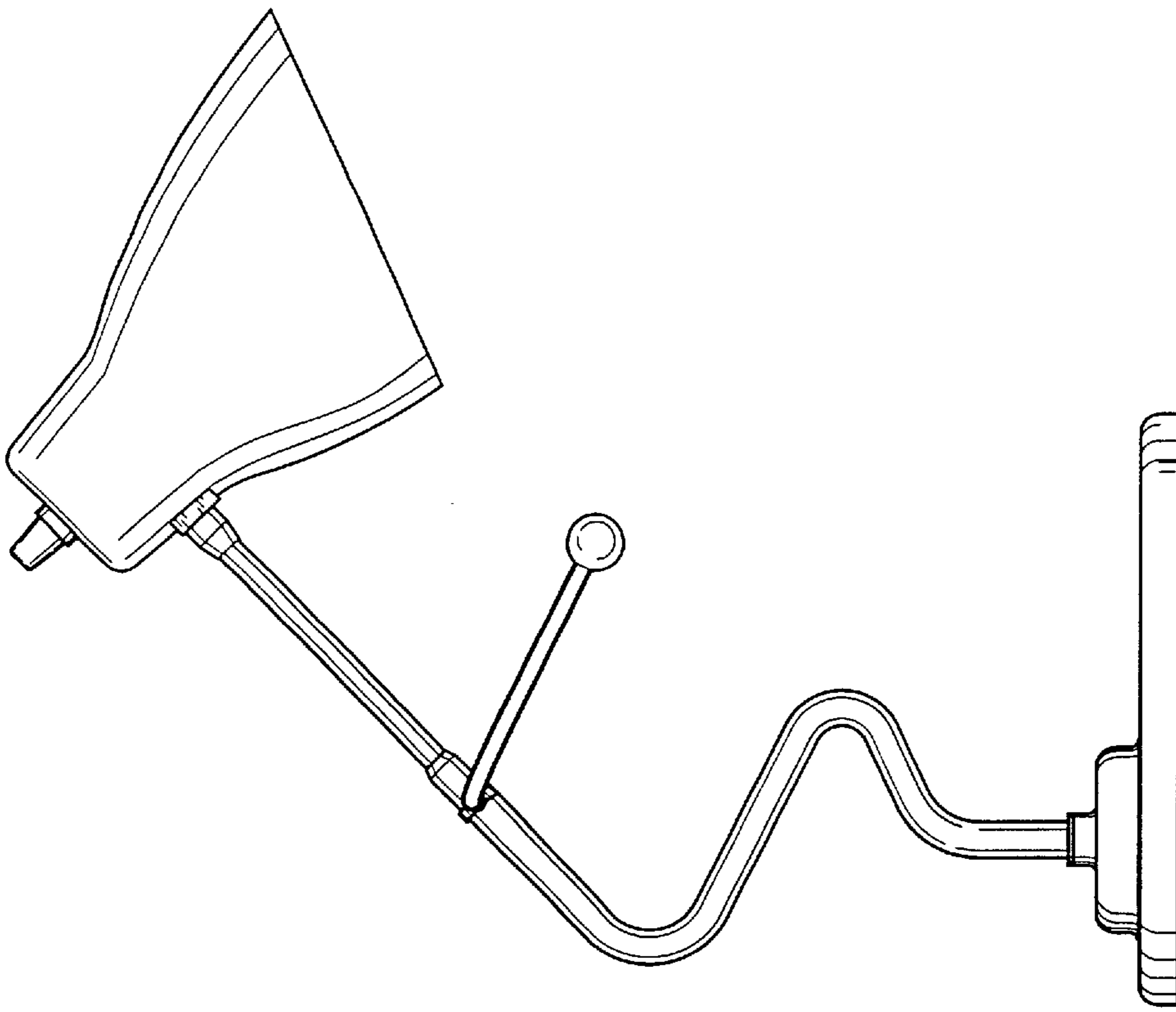


FIG. 2

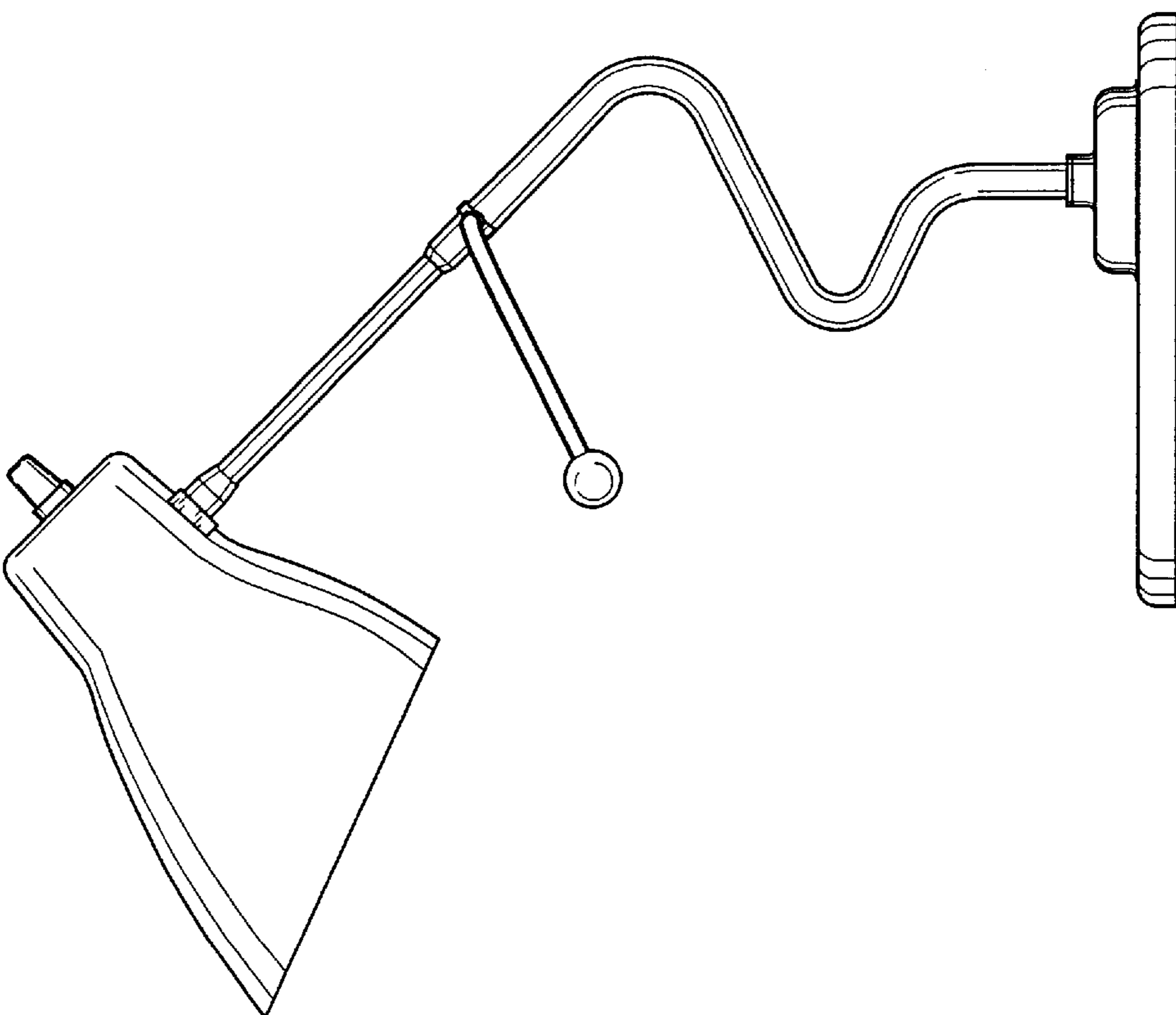


FIG. 3

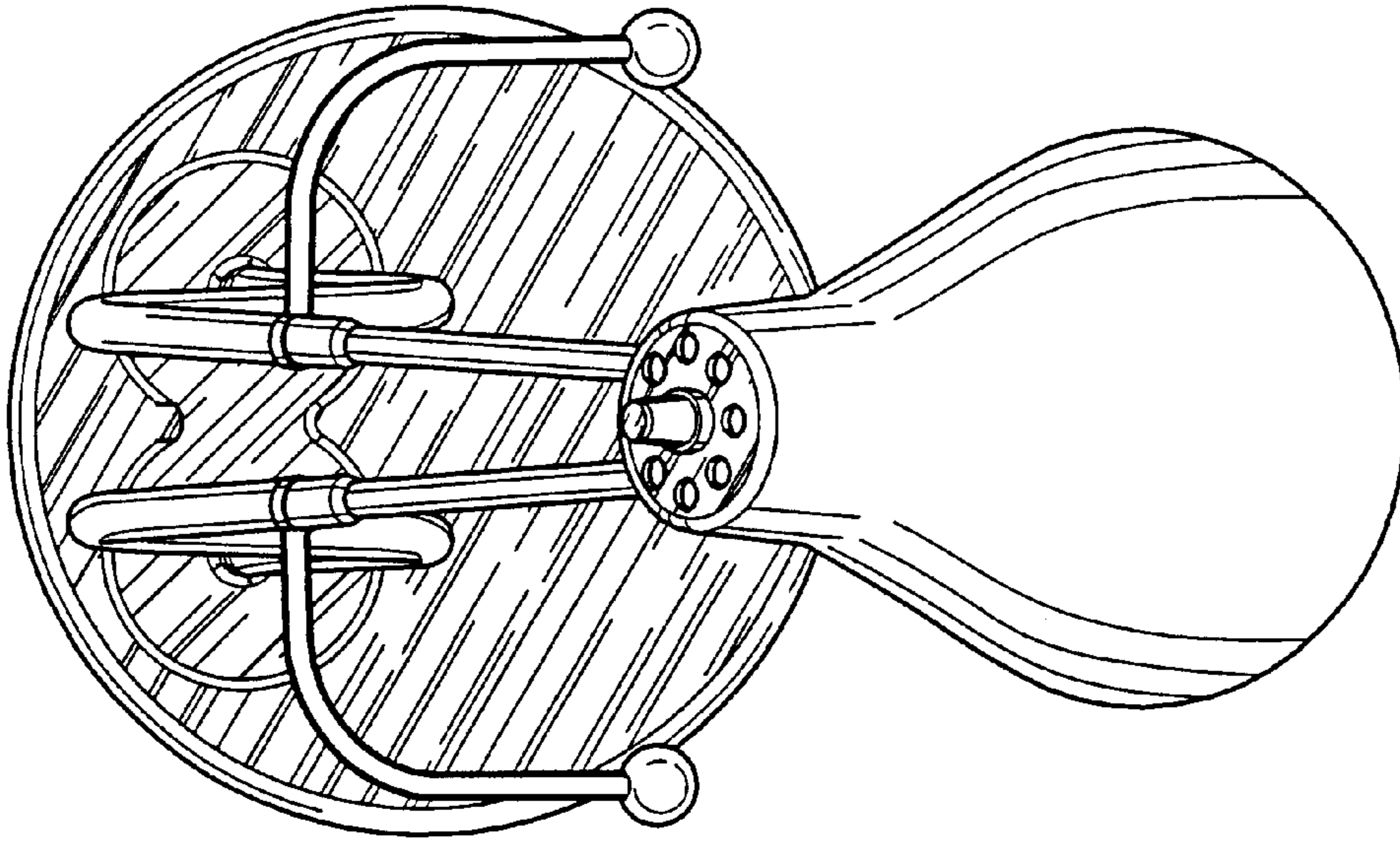


FIG. 5

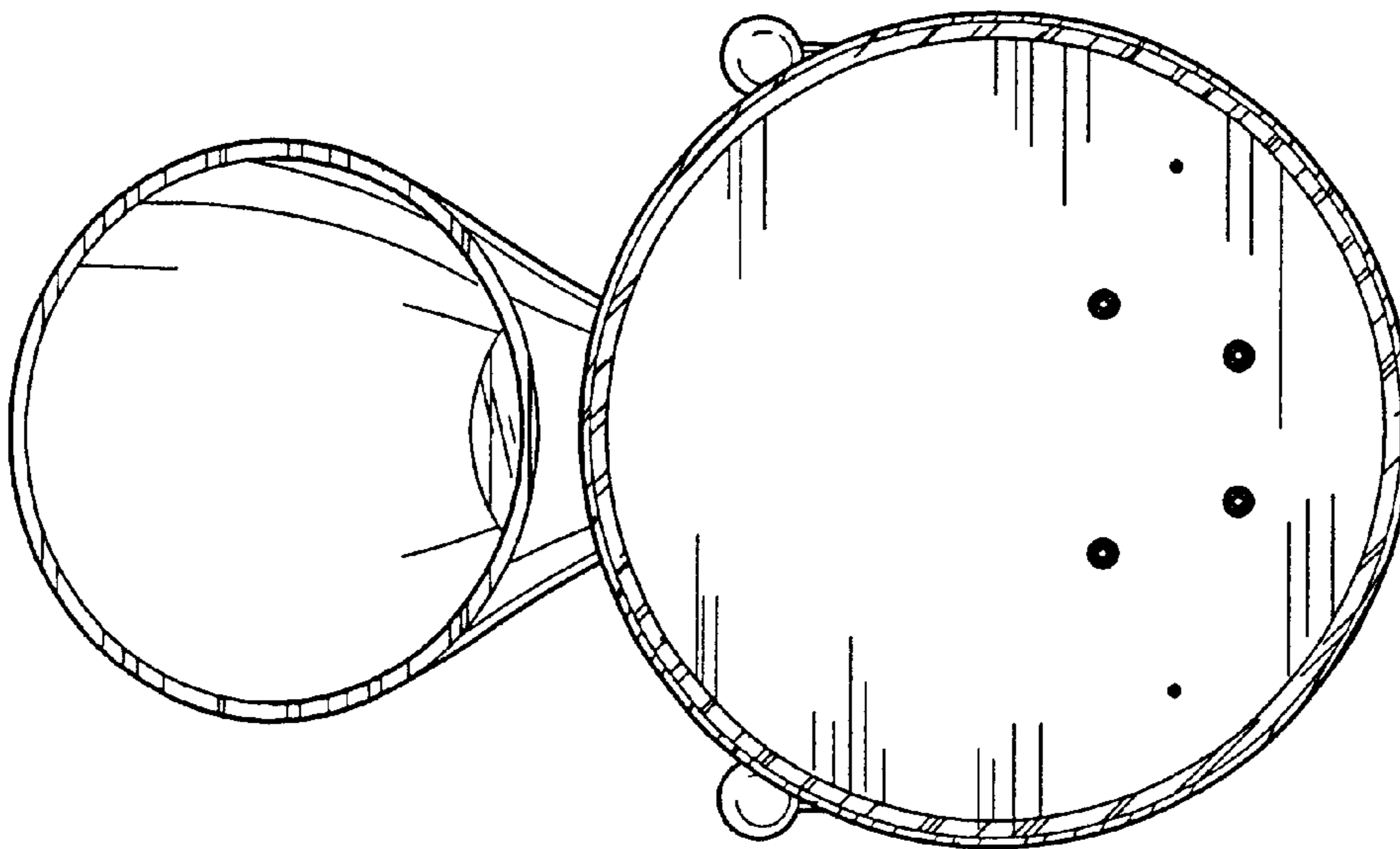


FIG. 6

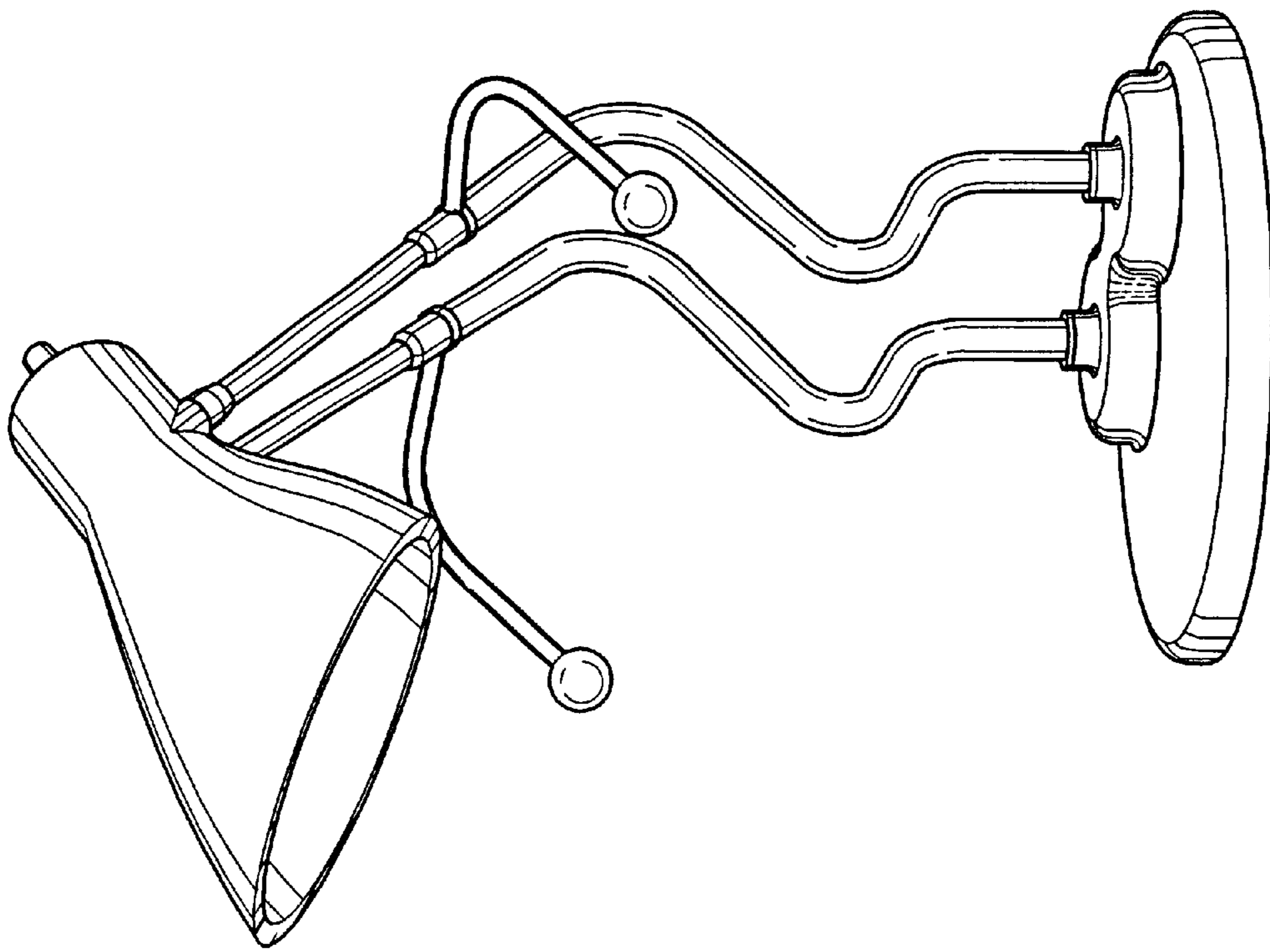


FIG. 7