



US00D463604S

(12) **United States Design Patent**
Phillips

(10) **Patent No.:** **US D463,604 S**

(45) **Date of Patent:** **** Sep. 24, 2002**

(54) **LIGHT FIXTURE**

(75) **Inventor:** **Todd L. Phillips**, Charleston, SC (US)

(73) **Assignee:** **Quoizel, Inc.**, Goose Creek, SC (US)

(**) **Term:** **14 Years**

(21) **Appl. No.:** **29/151,584**

(22) **Filed:** **Nov. 8, 2001**

(51) **LOC (7) Cl.** **26-03**

(52) **U.S. Cl.** **D26/87**

(58) **Field of Search** D26/72, 80, 83-92,
D26/67-71; 362/404-408, 147, 310, 326,
341, 346-353, 362, 363

(56) **References Cited**

U.S. PATENT DOCUMENTS

D50,332 S	*	2/1917	Ainsworth	D26/80
D84,780 S	*	8/1931	Hansen	D26/65
D340,780 S	*	10/1993	Porter	D26/145
D391,662 S	*	3/1998	Miranda	D26/87
D453,048 S	*	1/2002	Orozco	D26/87

OTHER PUBLICATIONS

Progress Lighting Product Catalog #124, p. 242 item No. P30009-37.*

Progress Lighting Product Catalog No. 124, p. 240 item No. P3229-18.*

Progress Lighting Product Catalog #124, p. 241, item No. P3369-44.*

* cited by examiner

Primary Examiner—Alan P. Douglas

Assistant Examiner—Clare E. Heflin

(74) *Attorney, Agent, or Firm*—Nelson Mullins Riley & Scarborough, L.L.P.

(57) **CLAIM**

The ornamental design of a light fixture, substantially as shown and described.

DESCRIPTION

FIG. 1 is a perspective view of a light fixture embodying the design of the present invention.

FIG. 2 is a front side elevational view of the light fixture illustrated in FIG. 1.

FIG. 3 is a right side elevational view of the light fixture illustrated in FIG. 1, with the left side elevational view being identical thereto.

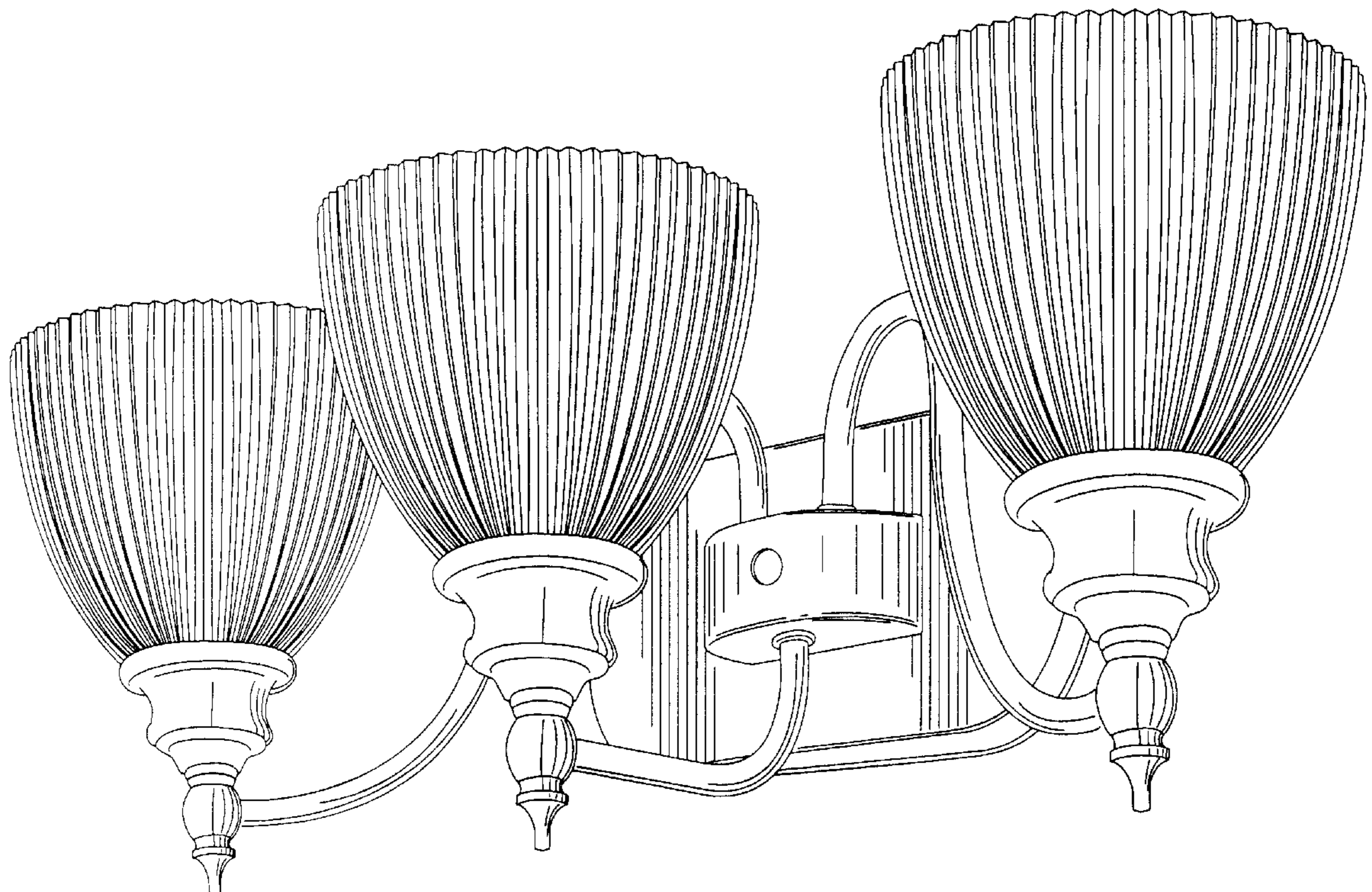
FIG. 4 is a top view of the light fixture illustrated in FIG. 1.

FIG. 5 is a bottom view of the light fixture illustrated in FIG. 1; and,

FIG. 6 is a back side elevational view of the light fixture illustrated in FIG. 1.

The broken lines shown on FIG. 4 are for illustrative purposes only and form no part of the claimed design.

1 Claim, 6 Drawing Sheets



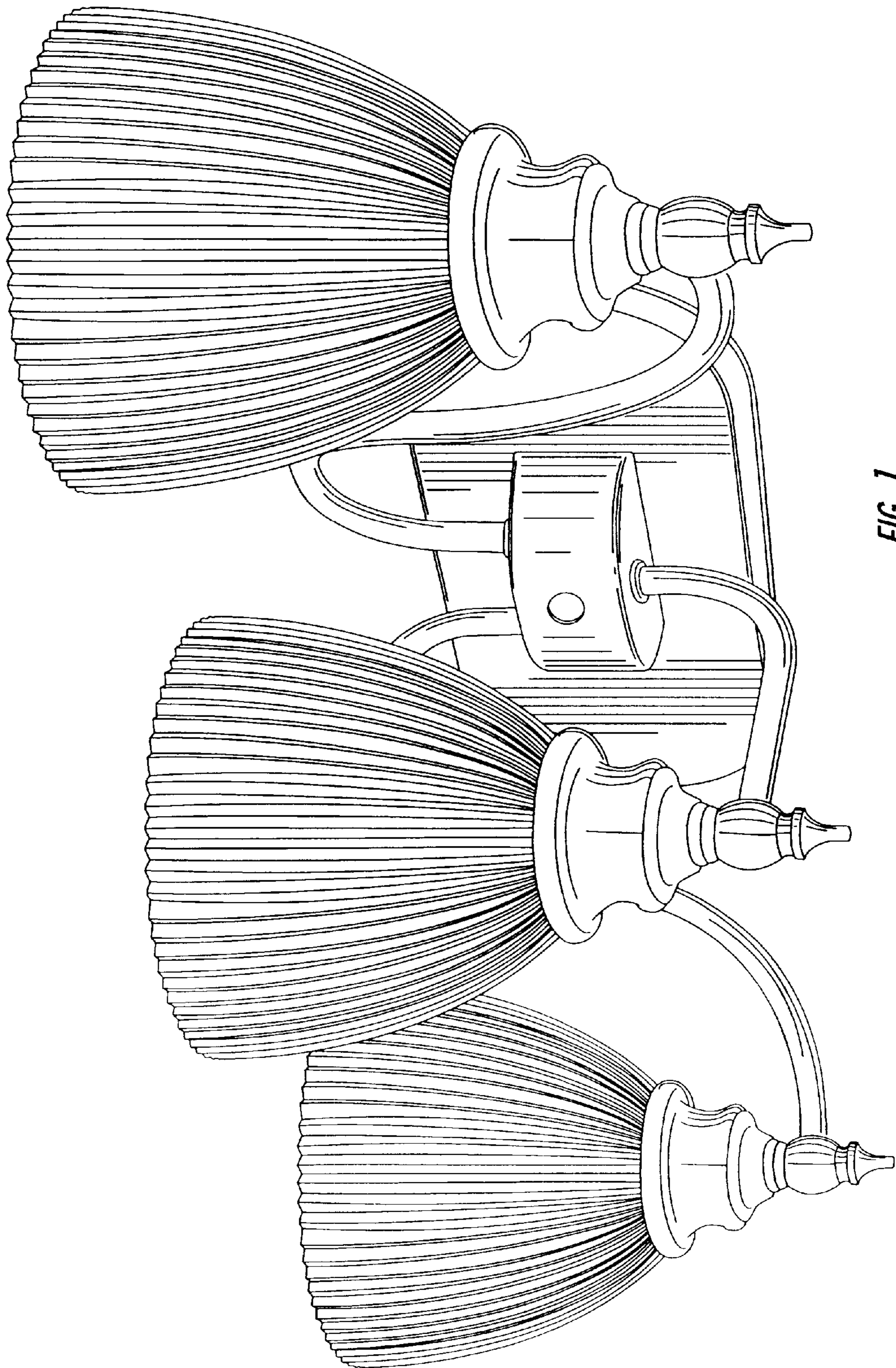


FIG. 1.

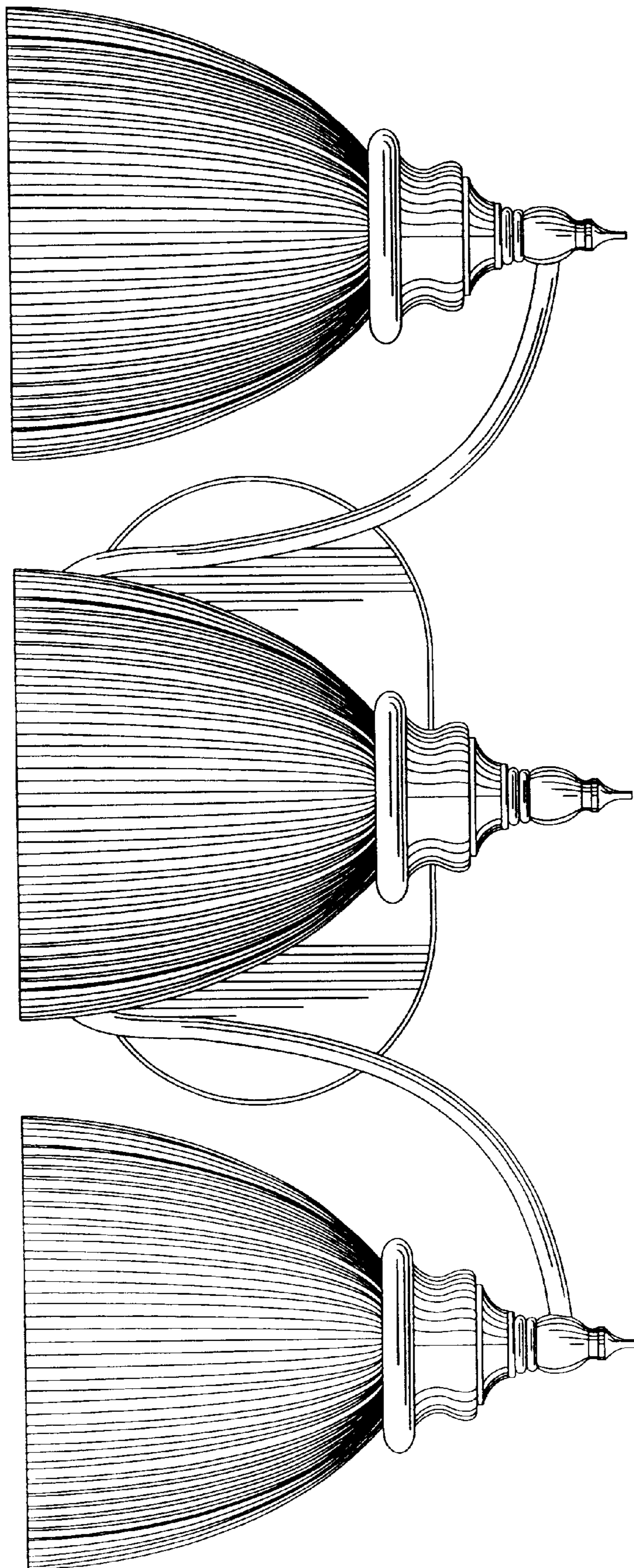


FIG. 2.

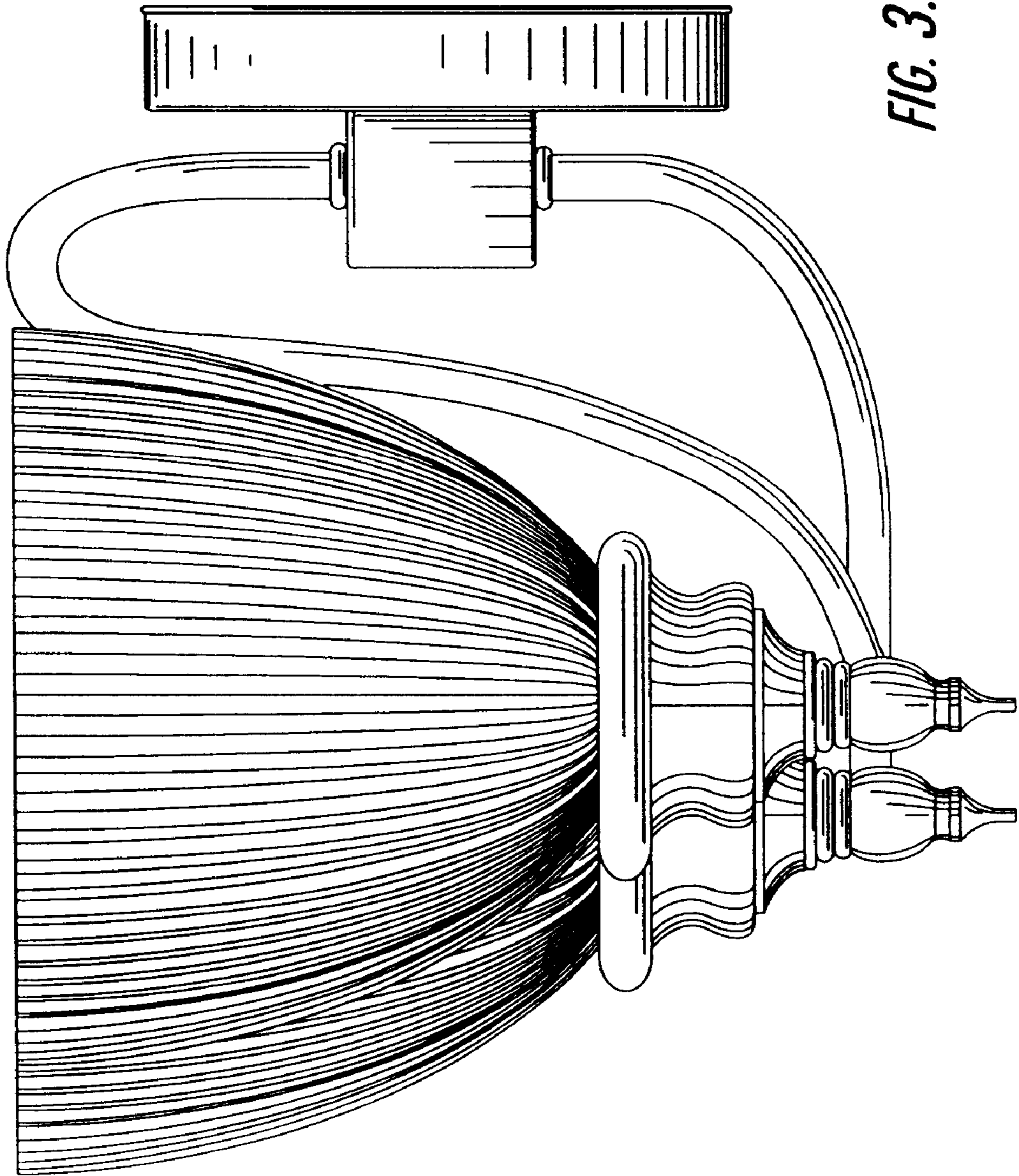


FIG. 3.

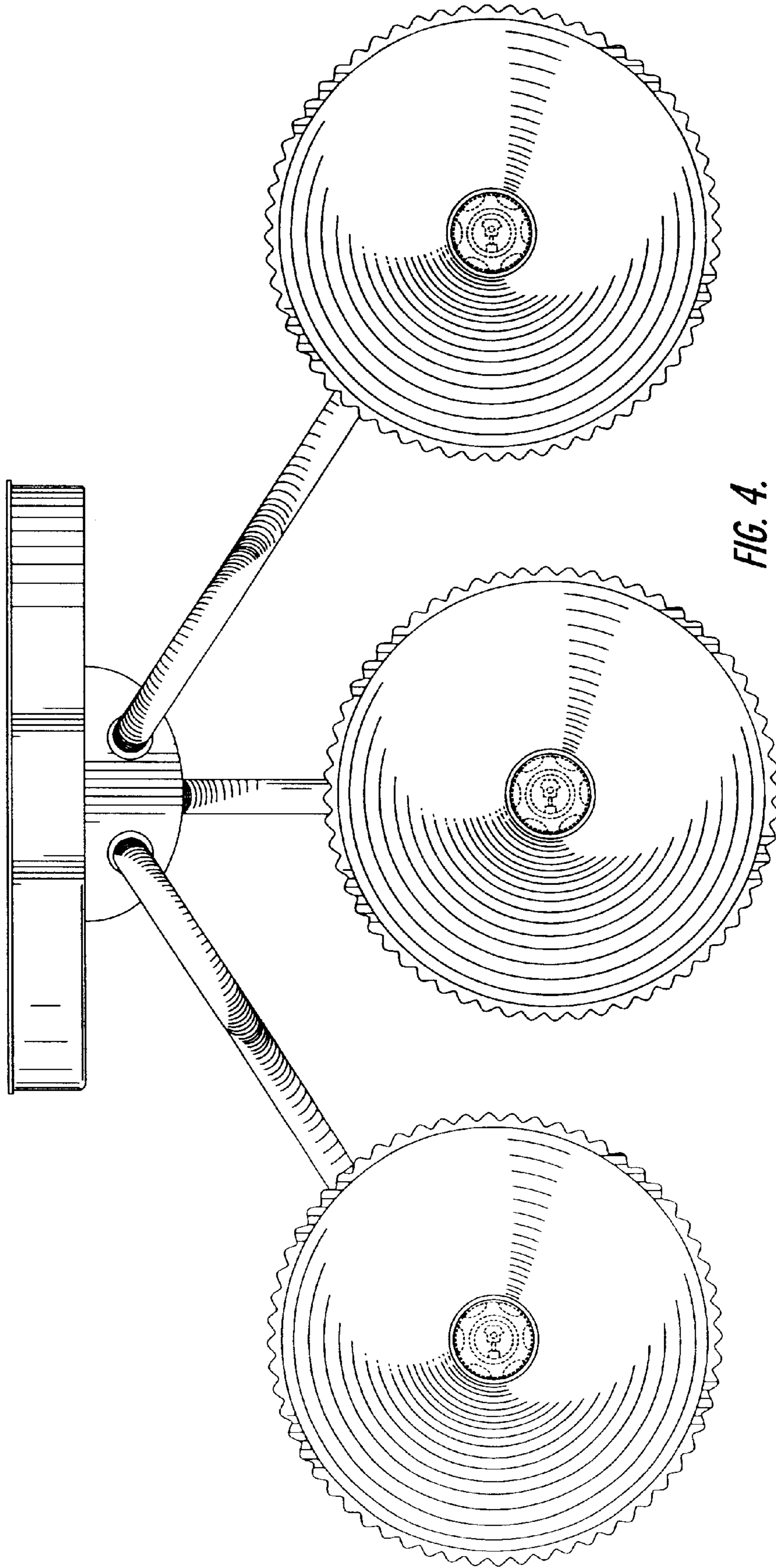


FIG. 4.

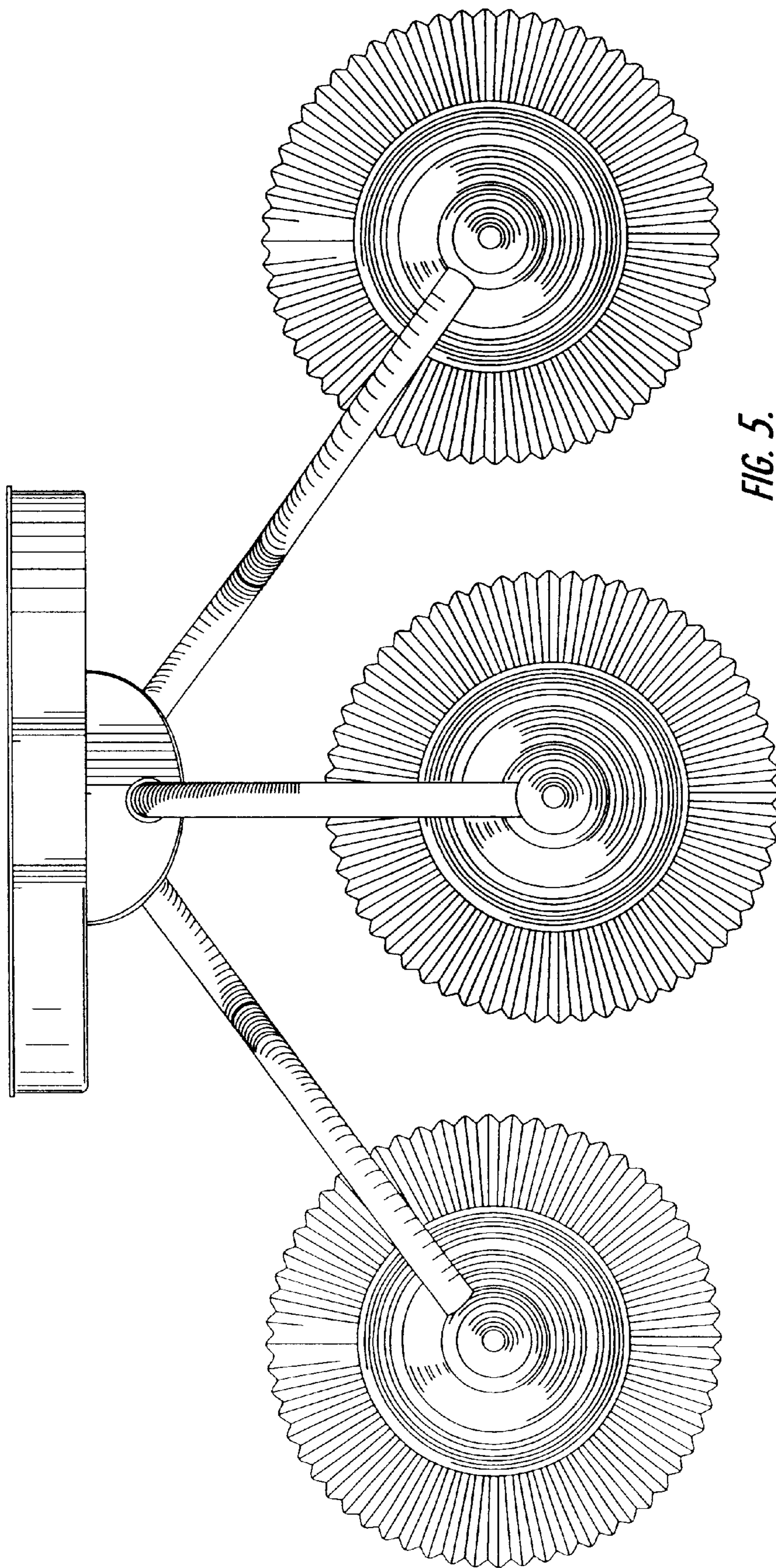


FIG. 5.

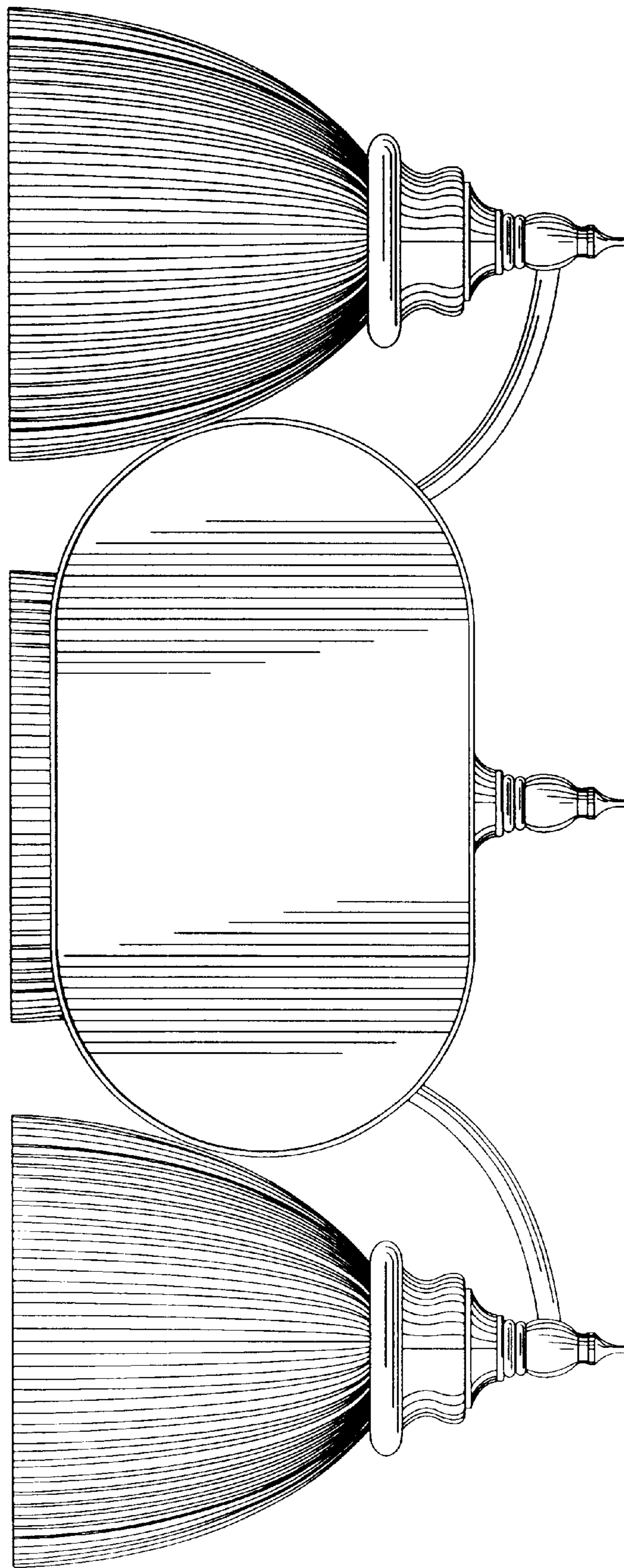


FIG. 6.