



US00D463600S

(12) **United States Design Patent**  
**Hille et al.**

(10) **Patent No.:** **US D463,600 S**

(45) **Date of Patent:** **\*\* Sep. 24, 2002**

(54) **LIGHTING FIXTURE**

D421,316 S \* 2/2000 Fiorato ..... D26/67  
D443,941 S \* 6/2001 Boeckley ..... D26/67

(75) Inventors: **Jonathan D. Hille**, Tempe, AZ (US);  
**Jeffrey B. Berghoff**, Gilbert, AZ (US);  
**Jon T. Lundquist**, Chandler, AZ (US)

\* cited by examiner

(73) Assignee: **Atom Lighting, Inc.**, Tempe, AZ (US)

*Primary Examiner*—Marcus A. Jackson  
(74) *Attorney, Agent, or Firm*—Snell & Wilmer, L.L.P.

(\*\*) Term: **14 Years**

(57) **CLAIM**

(21) Appl. No.: **29/155,224**

The ornamental design for the lighting fixture, as shown and described.

(22) Filed: **Jan. 31, 2002**

**DESCRIPTION**

(51) **LOC (7) Cl.** ..... **26-05**

FIG. 1 is a front view of a lighting fixture showing our new design;

(52) **U.S. Cl.** ..... **D26/67**

FIG. 2 is a back view thereof;

(58) **Field of Search** ..... D26/67-71; 362/153,  
362/183, 362, 363, 431

FIG. 3 is a side view thereof;

FIG. 4 is an opposite side view thereof;

(56) **References Cited**

FIG. 5 is a top view thereof, wherein the bottom view is a mirror image of this top view; and,

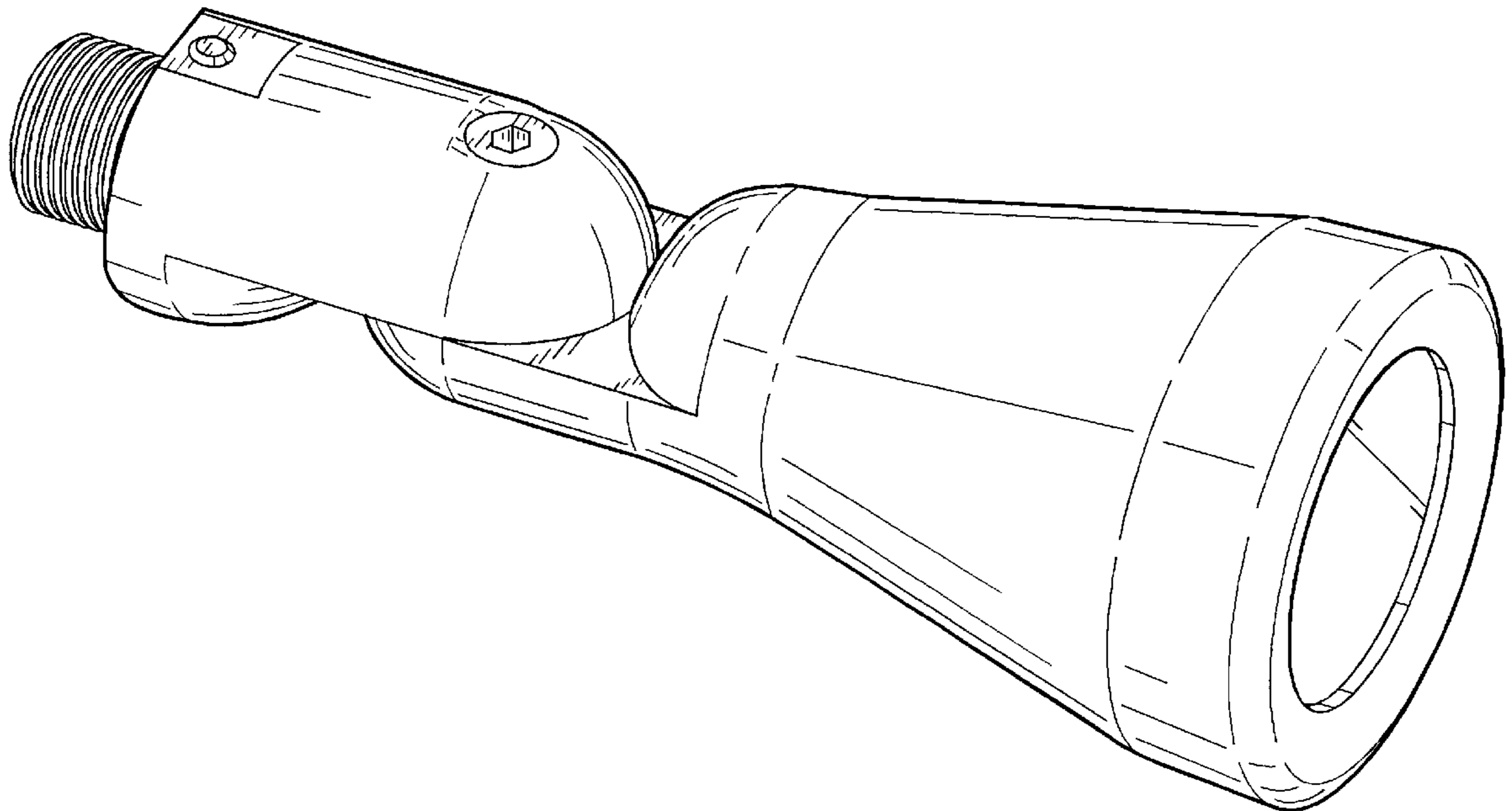
**U.S. PATENT DOCUMENTS**

FIG. 6 is a perspective view thereof.

D346,873 S \* 5/1994 Frost ..... D26/67

D392,407 S \* 3/1998 Johnson et al. .... D26/67

**1 Claim, 4 Drawing Sheets**



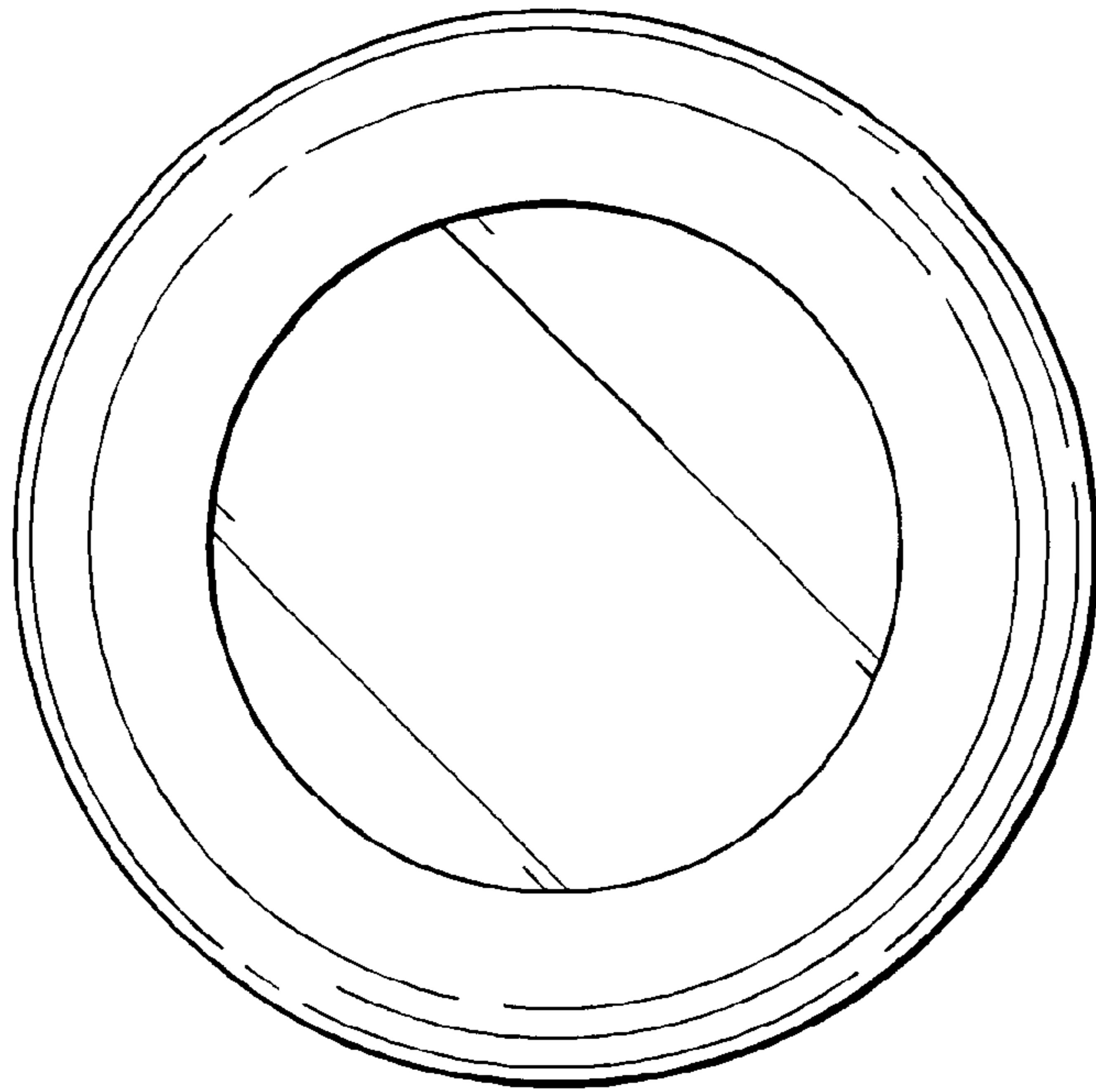


FIG. 1

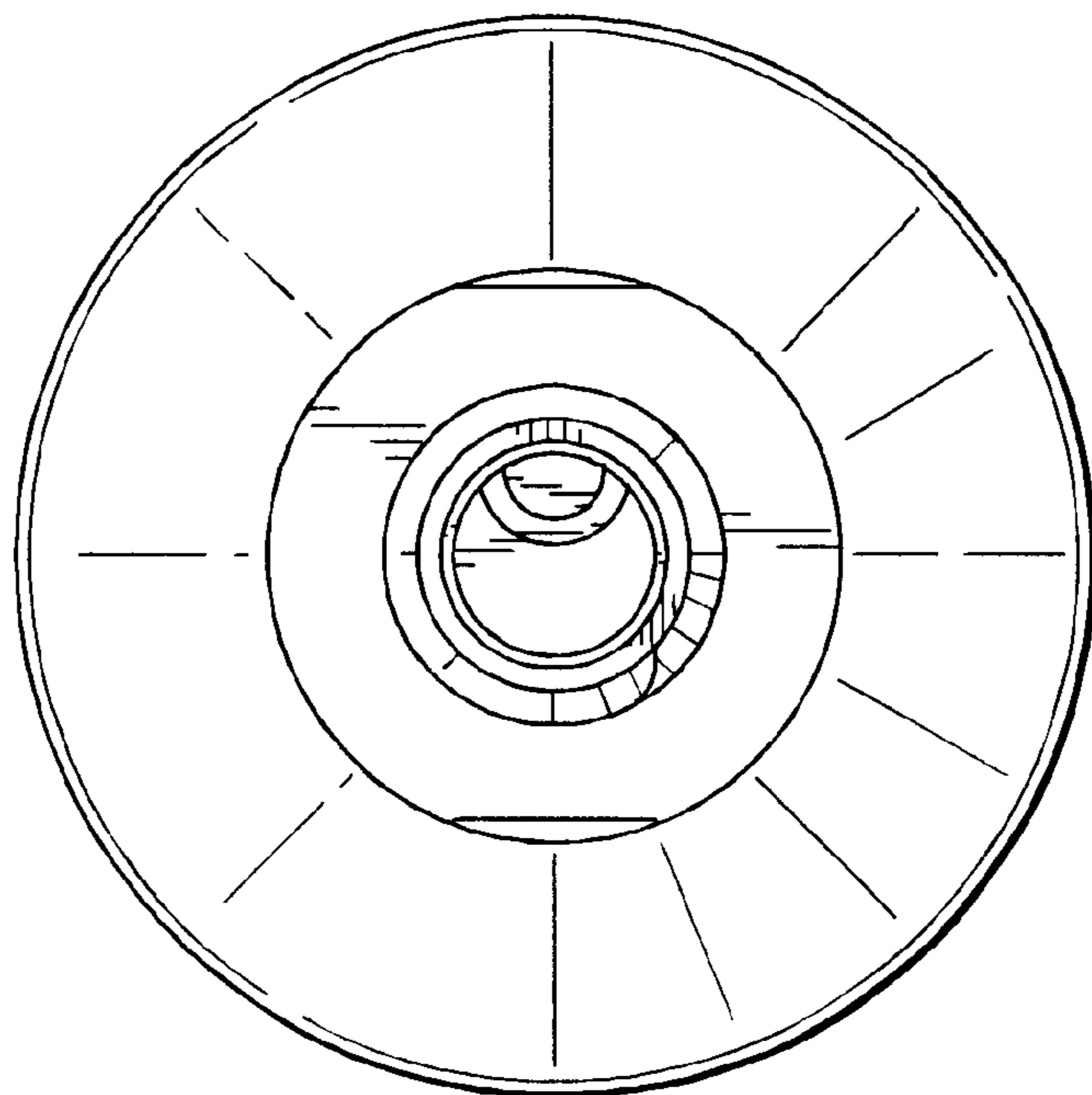


FIG. 2

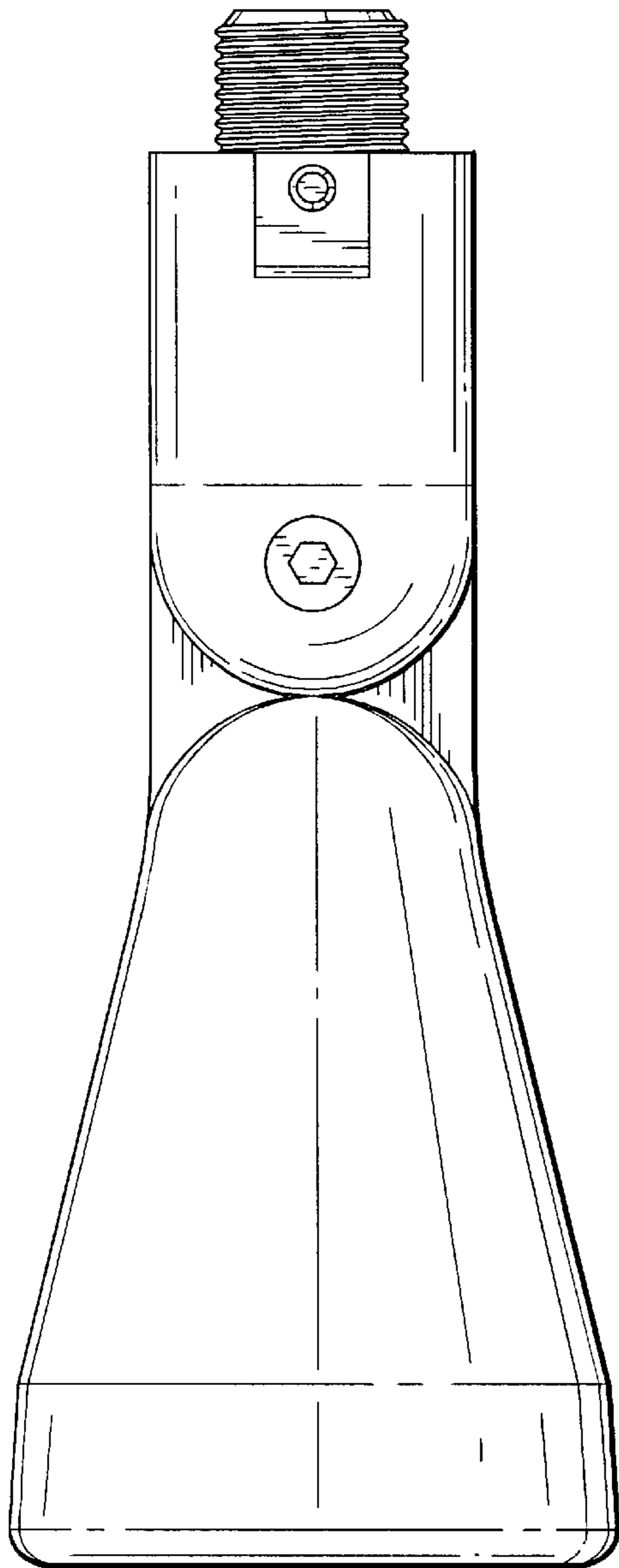


FIG.3

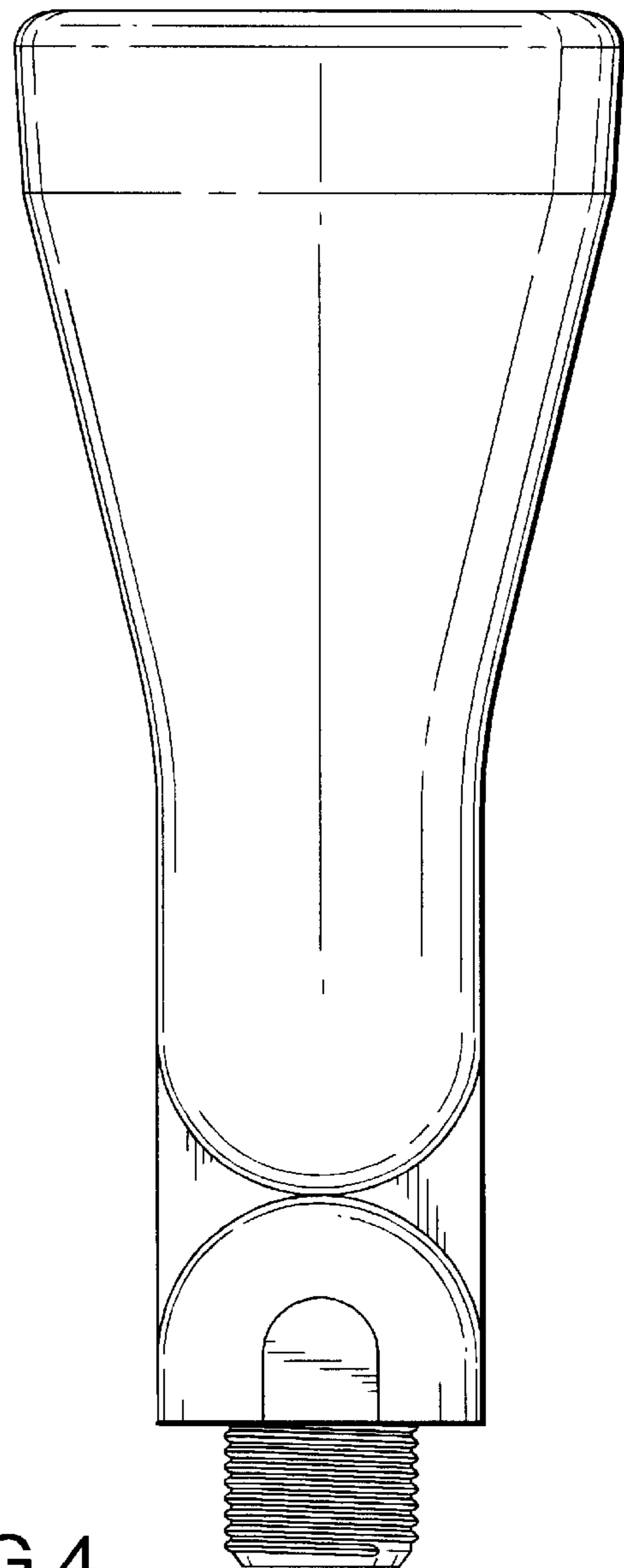


FIG.4

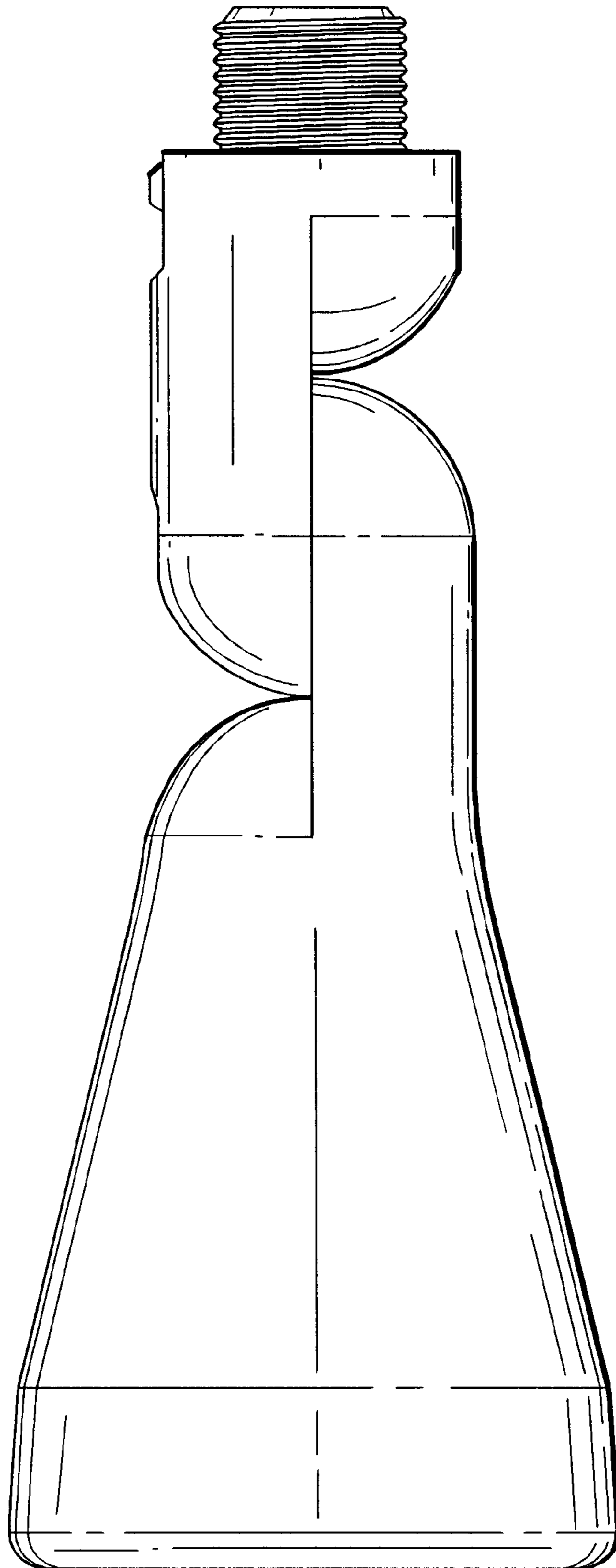


FIG.5

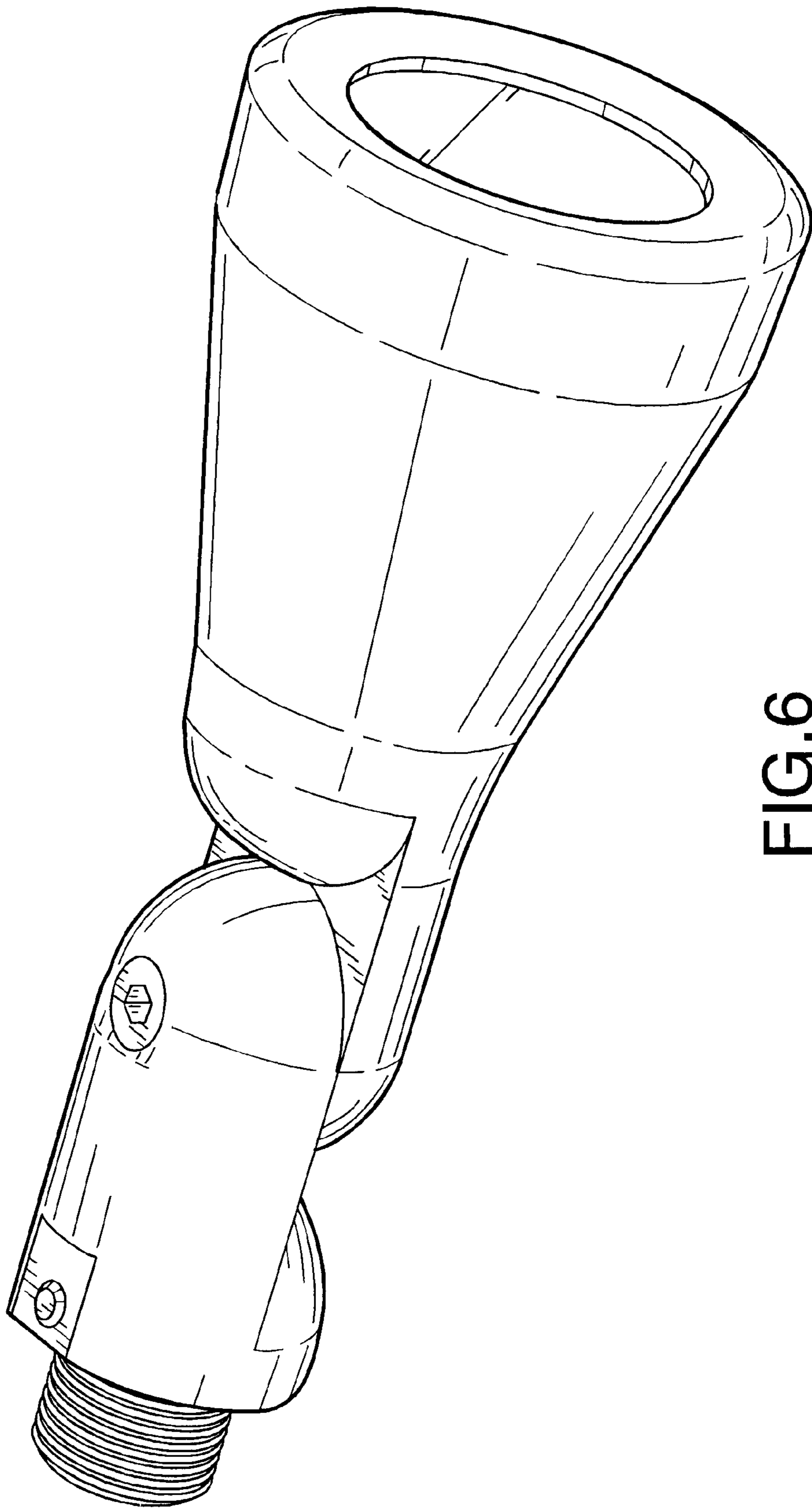


FIG.6