



US00D463599S

(12) **United States Design Patent**
Hille et al.

(10) **Patent No.:** **US D463,599 S**

(45) **Date of Patent:** **** Sep. 24, 2002**

(54) **LIGHTING FIXTURE**

D421,316 S * 2/2000 Fiorato D26/67
D443,941 S * 6/2001 Boeckley D26/67

(75) Inventors: **Jonathan D. Hille**, Tempe, AZ (US);
Jeffrey B. Berghoff, Gilbert, AZ (US);
Jon T. Lundquist, Chandler, AZ (US)

* cited by examiner

(73) Assignee: **Atom Lighting, Inc.**, Tempe, AZ (US)

Primary Examiner—Marcus A. Jackson
(74) *Attorney, Agent, or Firm*—Snell & Wilmer, L.L.P.

(**) Term: **14 Years**

(57) **CLAIM**

(21) Appl. No.: **29/155,223**

The ornamental design for the lighting fixture, as shown and described.

(22) Filed: **Jan. 31, 2002**

DESCRIPTION

(51) **LOC (7) Cl.** **26-05**

(52) **U.S. Cl.** **D26/67**

(58) **Field of Search** D26/67-71; 362/153,
362/183, 362, 363, 431

FIG. 1 is a front view of a lighting fixture showing our new design;

FIG. 2 is a back view thereof;

FIG. 3 is a side view thereof;

FIG. 4 is an opposite side view thereof;

FIG. 5 is a top view thereof, wherein the bottom view is a mirror image of this top view; and,

FIG. 6 is a perspective view thereof.

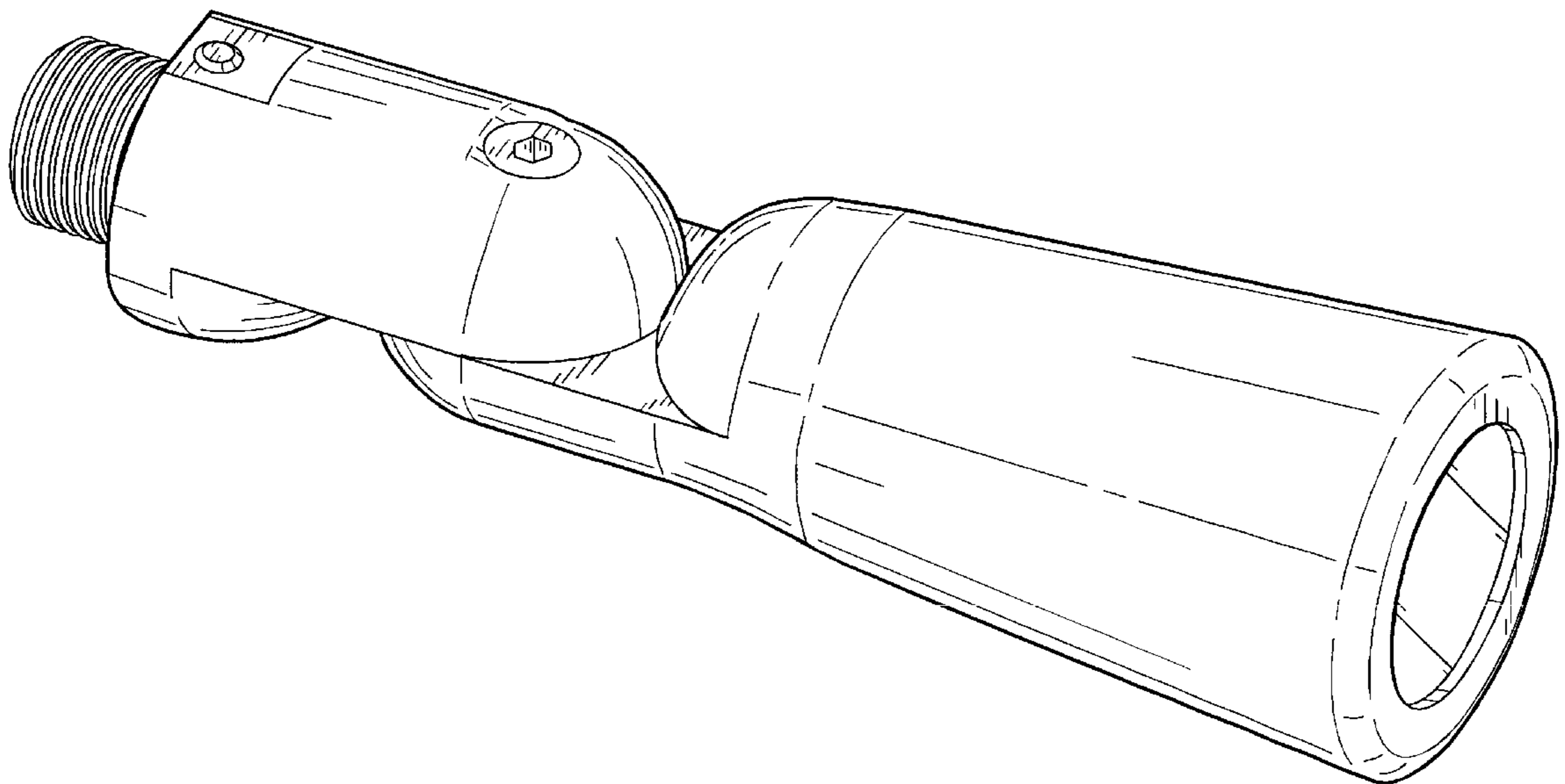
(56) **References Cited**

U.S. PATENT DOCUMENTS

D346,873 S * 5/1994 Frost D26/67

D392,407 S * 3/1998 Johnson et al. D26/67

1 Claim, 4 Drawing Sheets



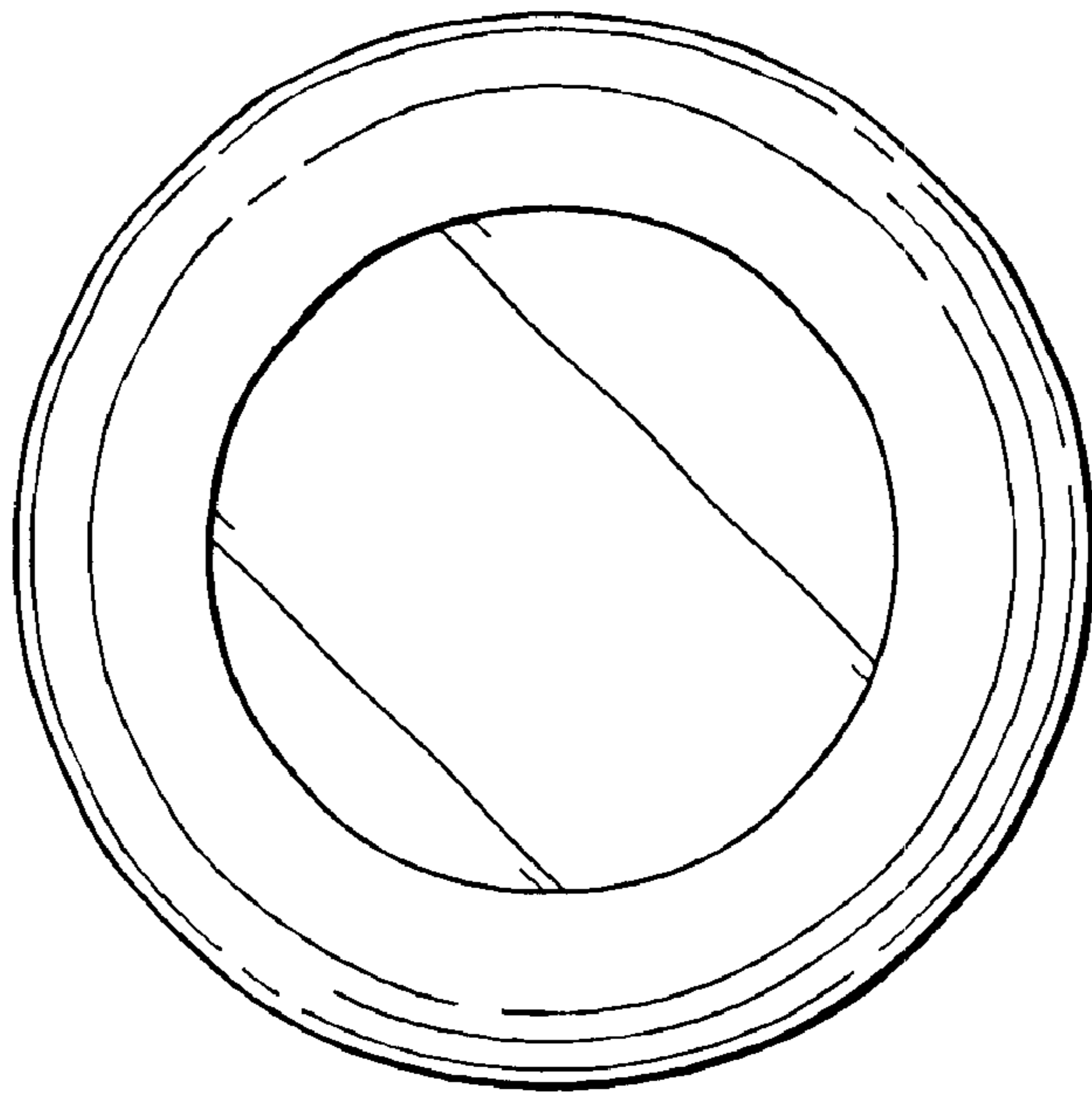


FIG. 1

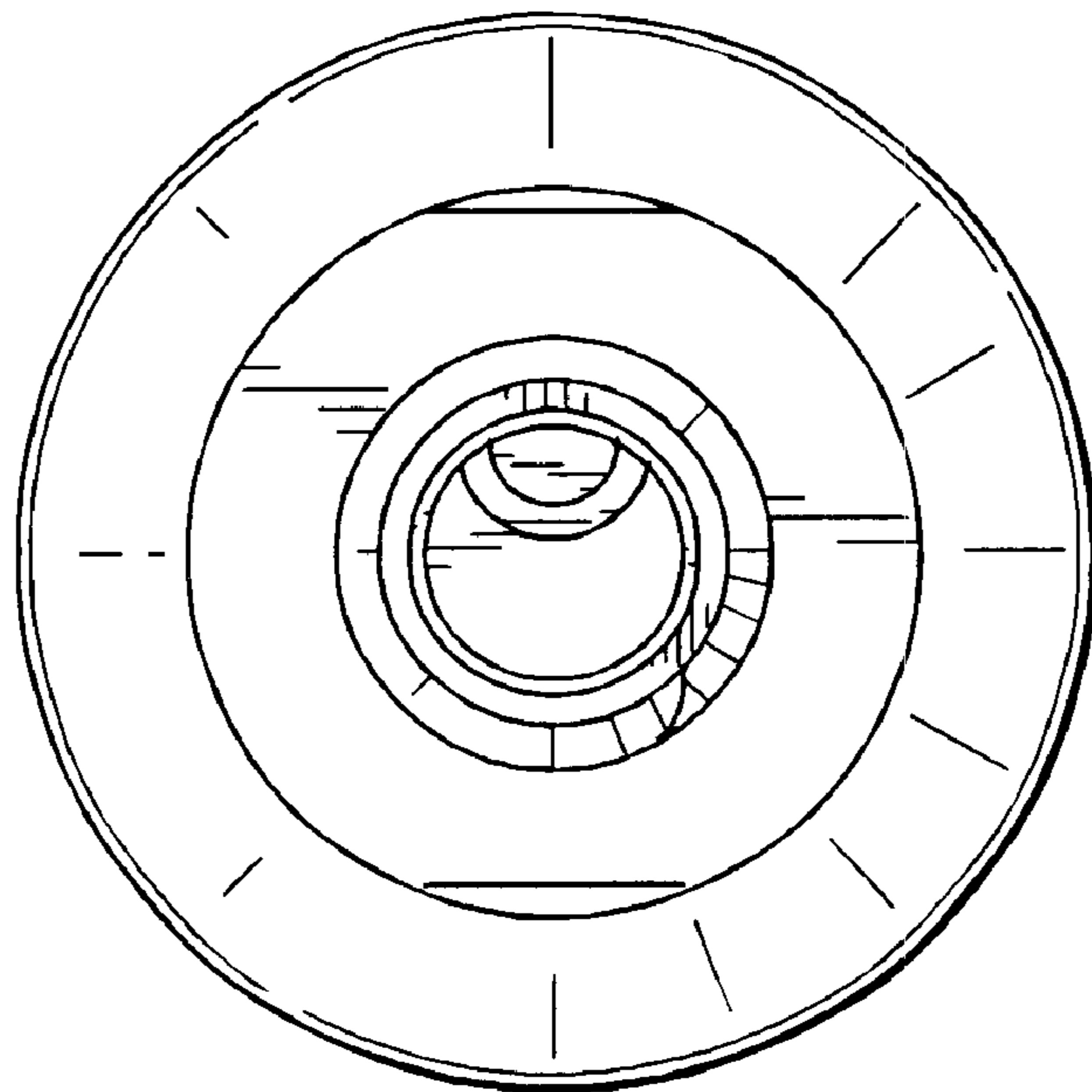


FIG. 2

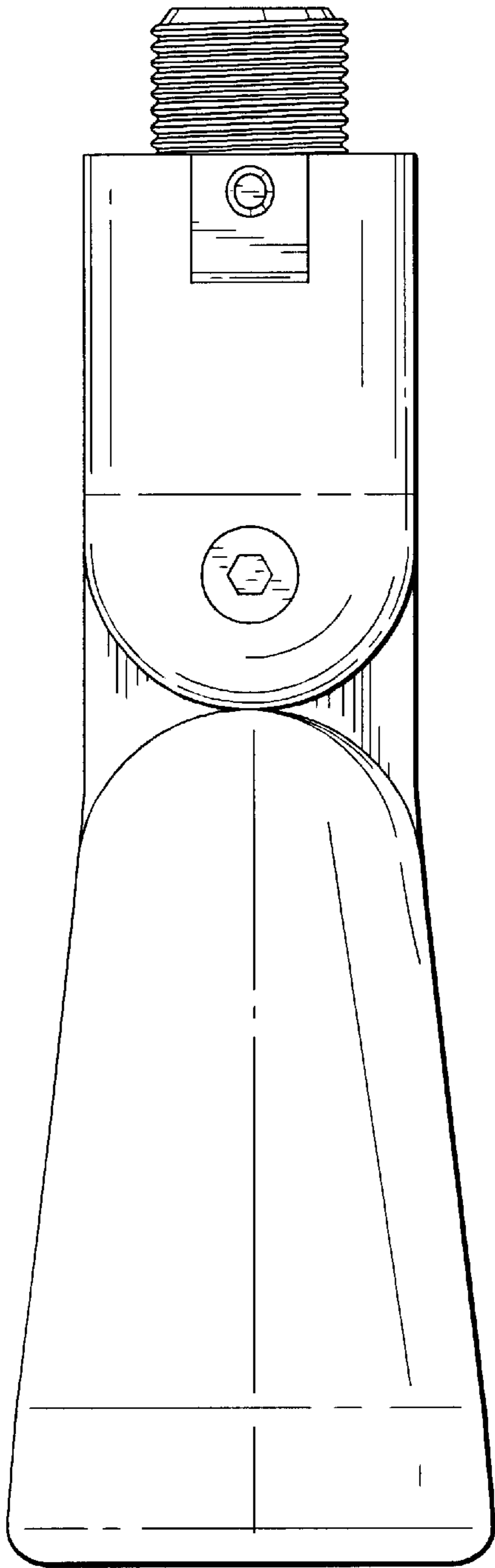


FIG.3

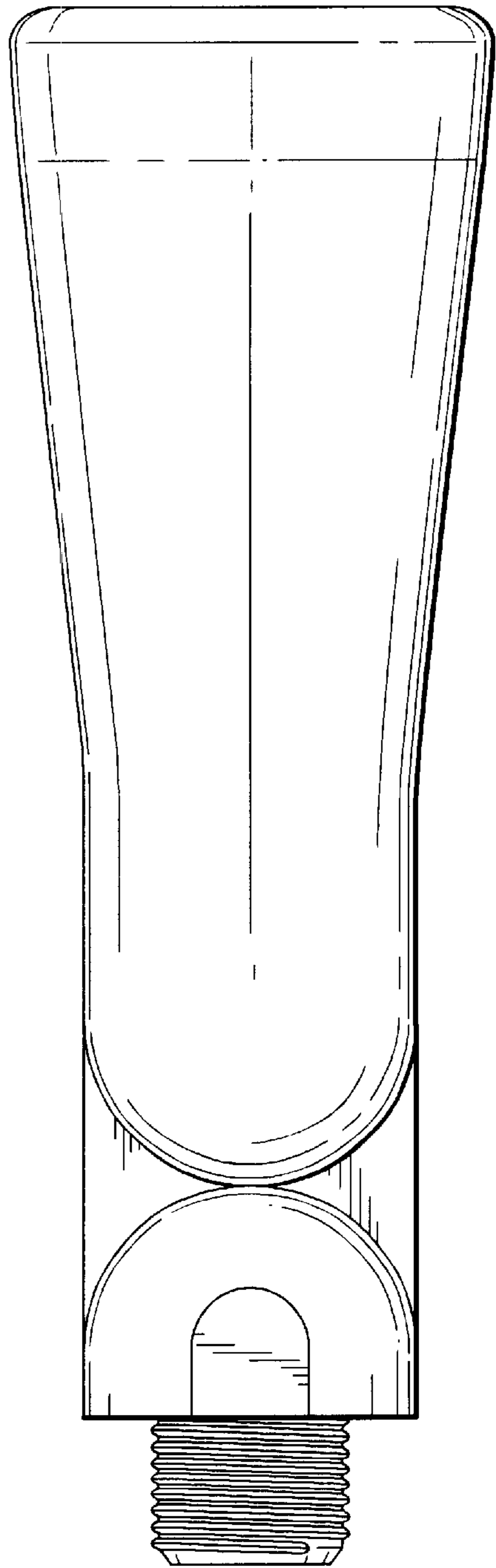


FIG.4

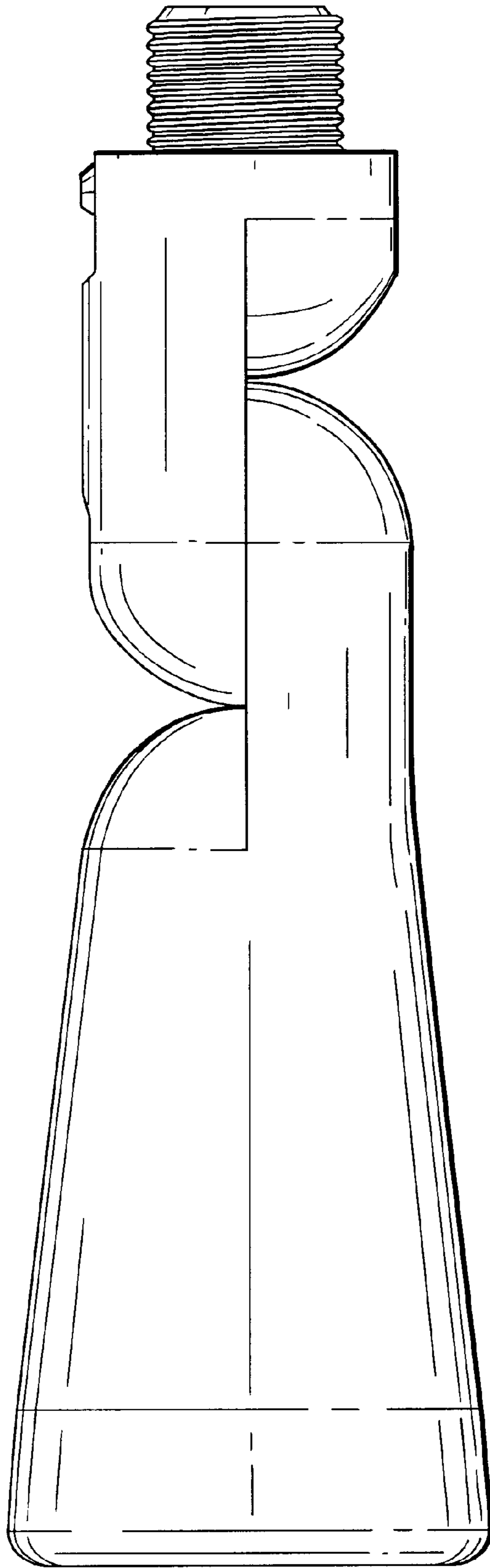


FIG.5

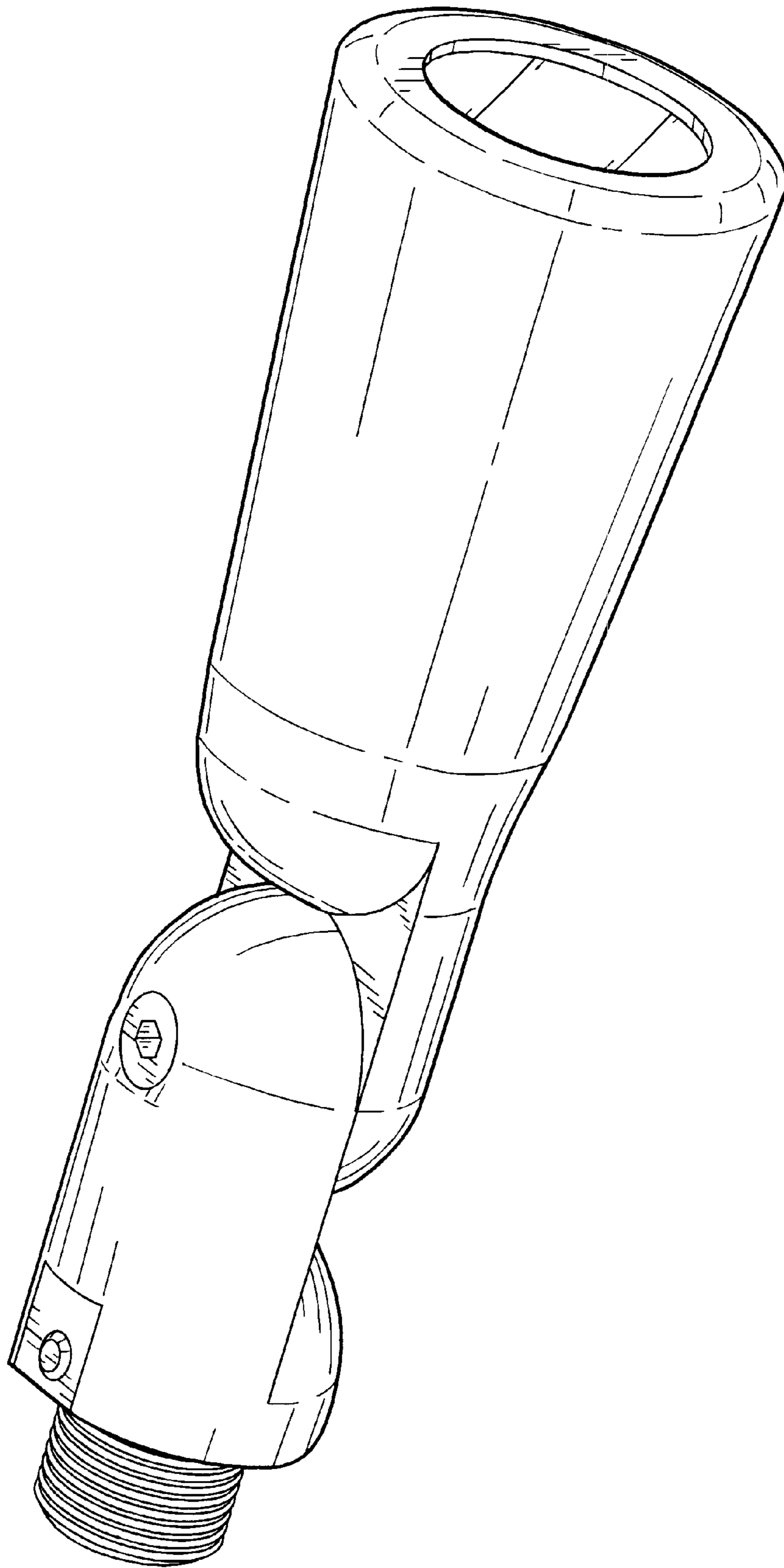


FIG.6