



US00D463598S

(12) **United States Design Patent**
Sonneman

(10) **Patent No.:** **US D463,598 S**

(45) **Date of Patent:** **** Sep. 24, 2002**

(54) **COUNTERPOISE LAMP**

D448,879 S * 10/2001 Wang D26/65

(75) Inventor: **Robert A. Sonneman**, Mamaroneck,
NY (US)

* cited by examiner

(73) Assignee: **RLA, LLC**, Larchmont, NY (US)

Primary Examiner—Marcus A. Jackson

(**) Term: **14 Years**

(74) *Attorney, Agent, or Firm*—Gottlieb, Rackman &
Reisman, PC

(21) Appl. No.: **29/145,772**

(57) **CLAIM**

(22) Filed: **Jul. 27, 2001**

The ornamental design for a counterpoise lamp, as shown
and described.

(51) **LOC (7) Cl.** **26-05**

DESCRIPTION

(52) **U.S. Cl.** **D26/65**

FIG. 1 is a perspective view of the counterpoise lamp
showing my new design;

(58) **Field of Search** D26/60–66; 362/269,
362/275, 277, 278, 281, 283, 285, 427,
428, 430

FIG. 2 is a right side elevational view thereof, a left side
elevational view being a mirror image thereof;

FIG. 3 is a top plan view thereof;

FIG. 4 is a bottom plan view thereof;

FIG. 5 is a front elevational view thereof; and,

FIG. 6 is a rear elevational view thereof.

(56) **References Cited**

U.S. PATENT DOCUMENTS

D432,694 S * 10/2000 Huang D26/65

D442,311 S * 5/2001 Kao et al. D26/65

1 Claim, 4 Drawing Sheets

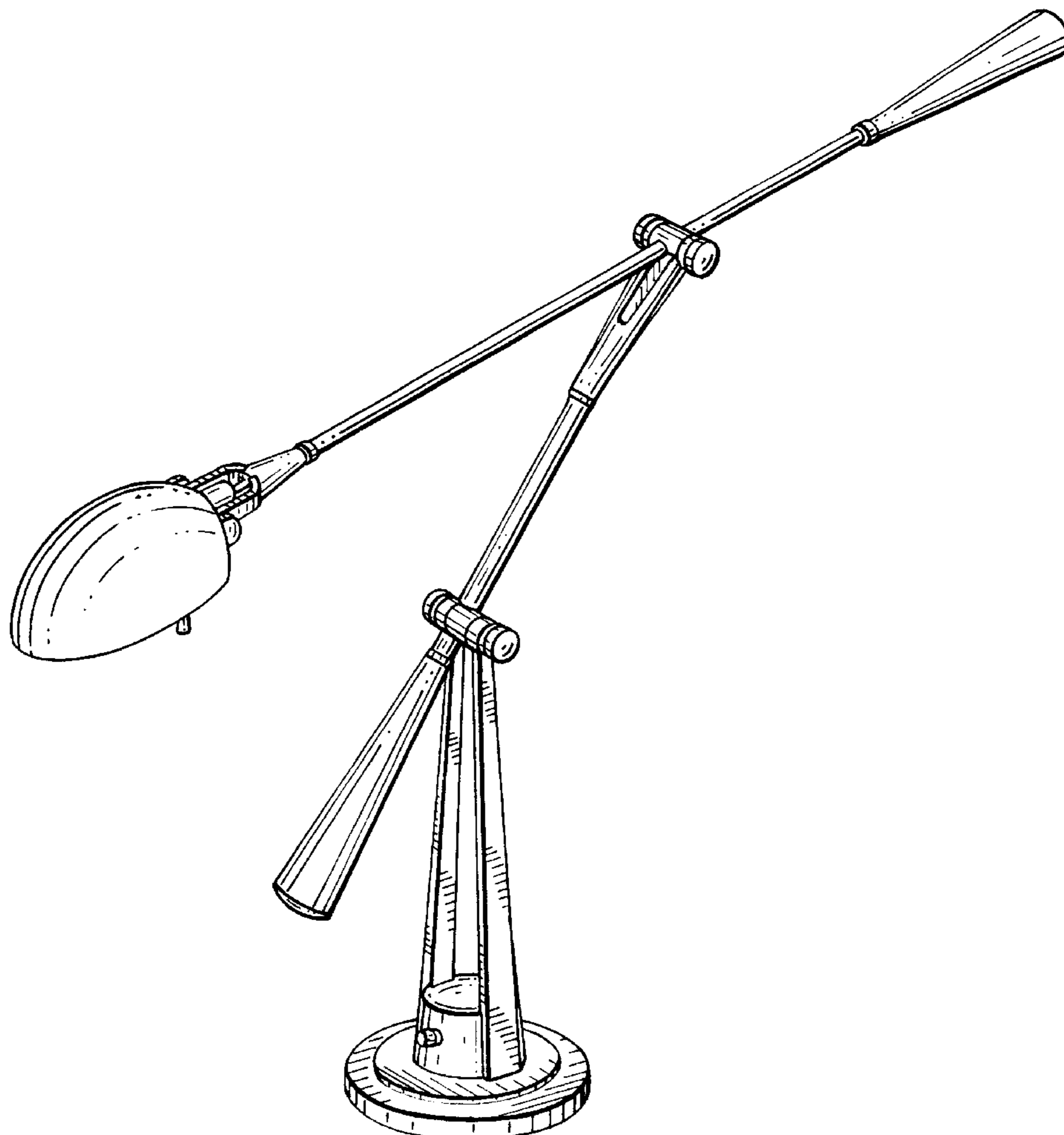
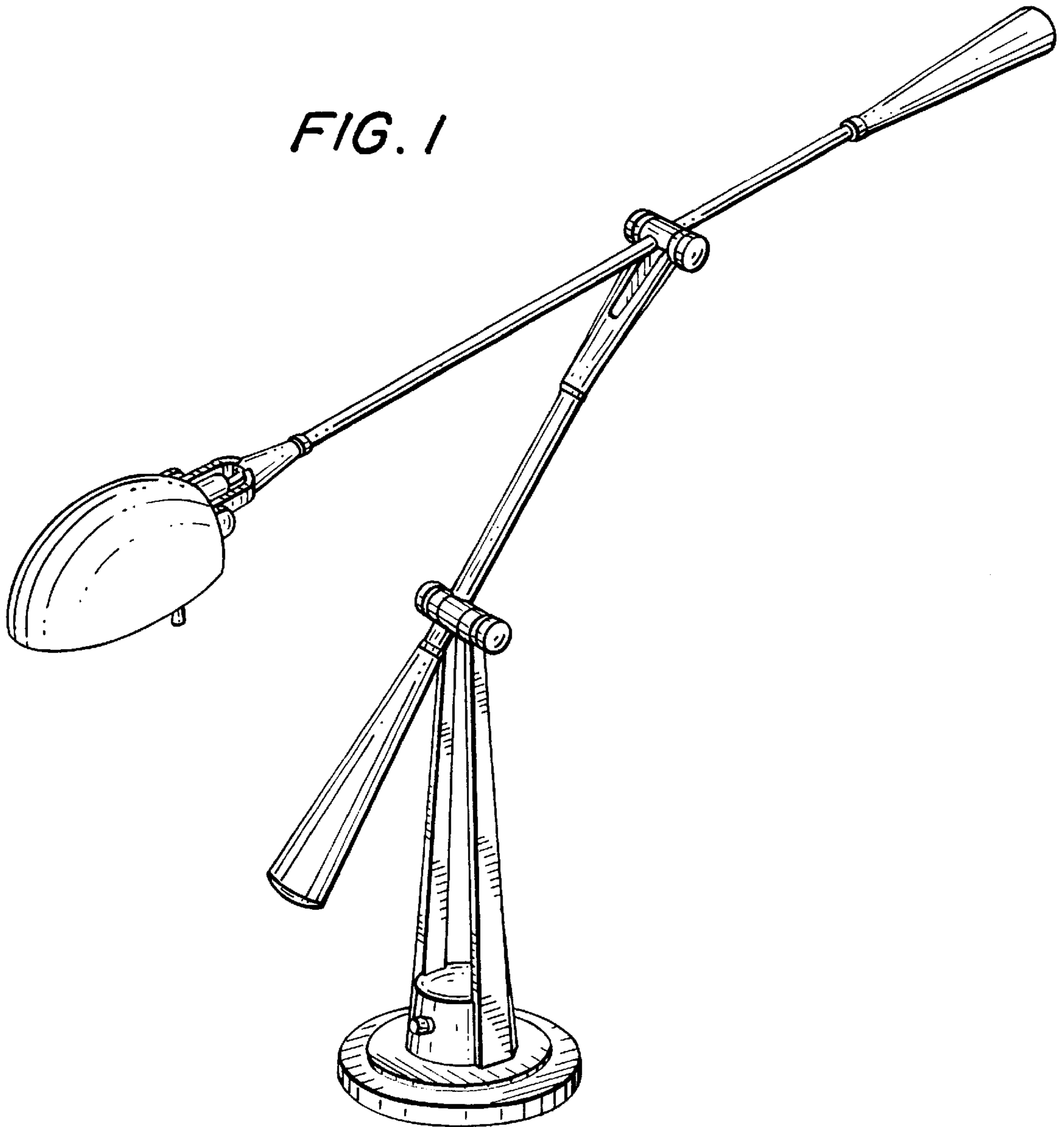


FIG. 1



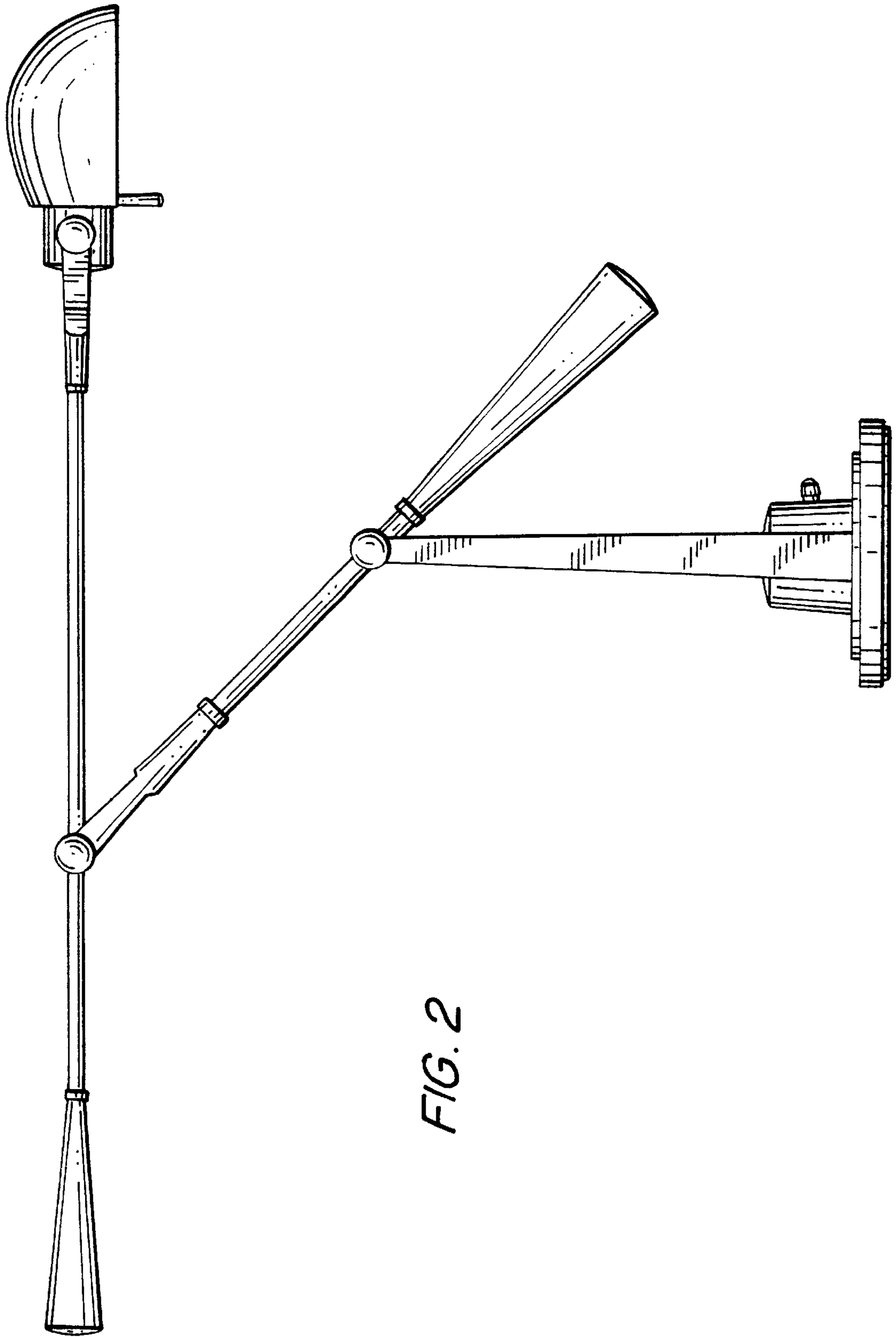


FIG. 2

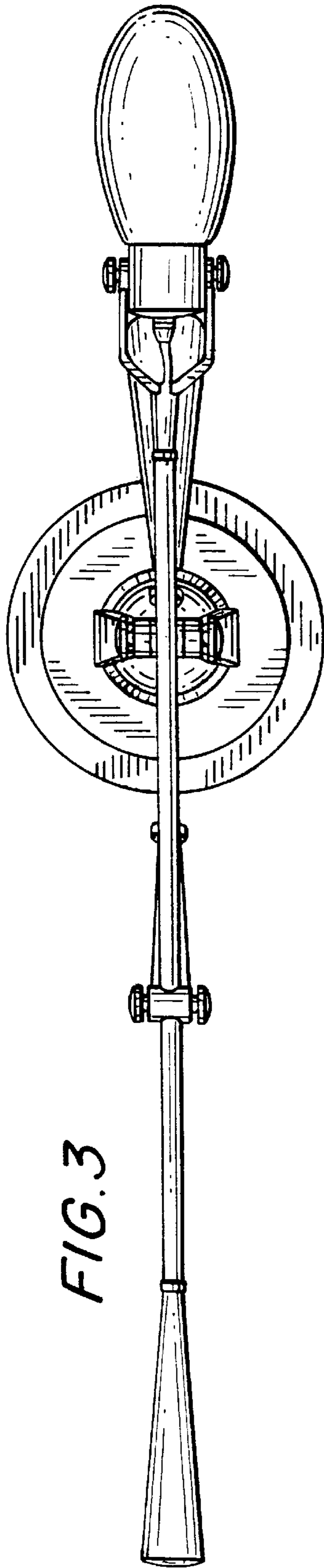


FIG. 3

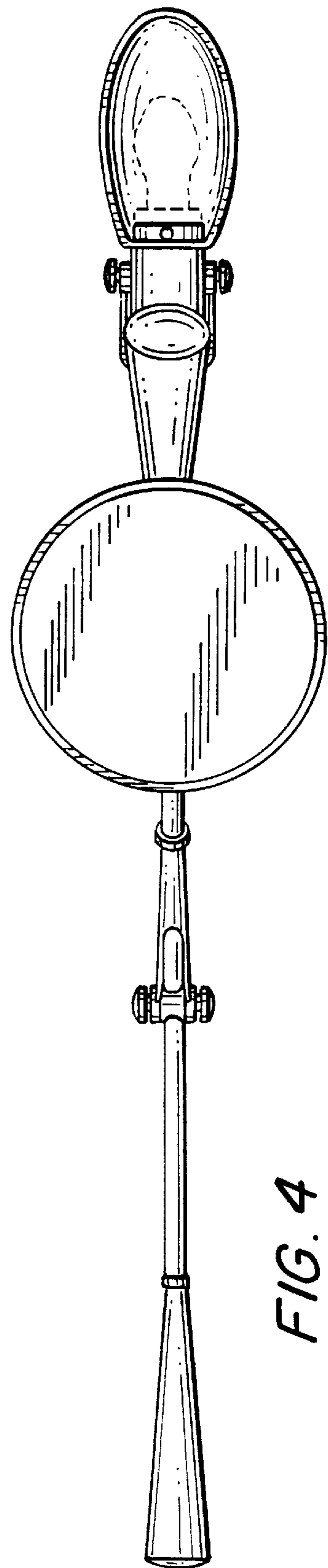


FIG. 4

