



US00D463596S

(12) **United States Design Patent**  
**McGaffigan**

(10) **Patent No.:** **US D463,596 S**

(45) **Date of Patent:** **\*\* Sep. 24, 2002**

(54) **FLASHLIGHT**

(76) Inventor: **Thomas H. McGaffigan**, 19089  
Brookhaven Dr., Saratoga, CA (US)  
95070

(\*\*) Term: **14 Years**

(21) Appl. No.: **29/154,608**

(22) Filed: **Jan. 22, 2002**

(51) **LOC (7) Cl.** ..... **26-02**

(52) **U.S. Cl.** ..... **D26/49**

(58) **Field of Search** ..... D26/37-50; 362/157,  
362/158, 171, 172, 173, 183-208

(56) **References Cited**

**U.S. PATENT DOCUMENTS**

D371,214 S	*	6/1996	Terry, Jr.	.....	D26/49
D413,401 S	*	8/1999	McDonald et al.	.....	D26/49
D450,868 S	*	11/2001	Maximilian-Yee	.....	D26/49

\* cited by examiner

*Primary Examiner*—Marcus A. Jackson  
(74) *Attorney, Agent, or Firm*—Burns, Doane, Swecker & Mathis, LLP

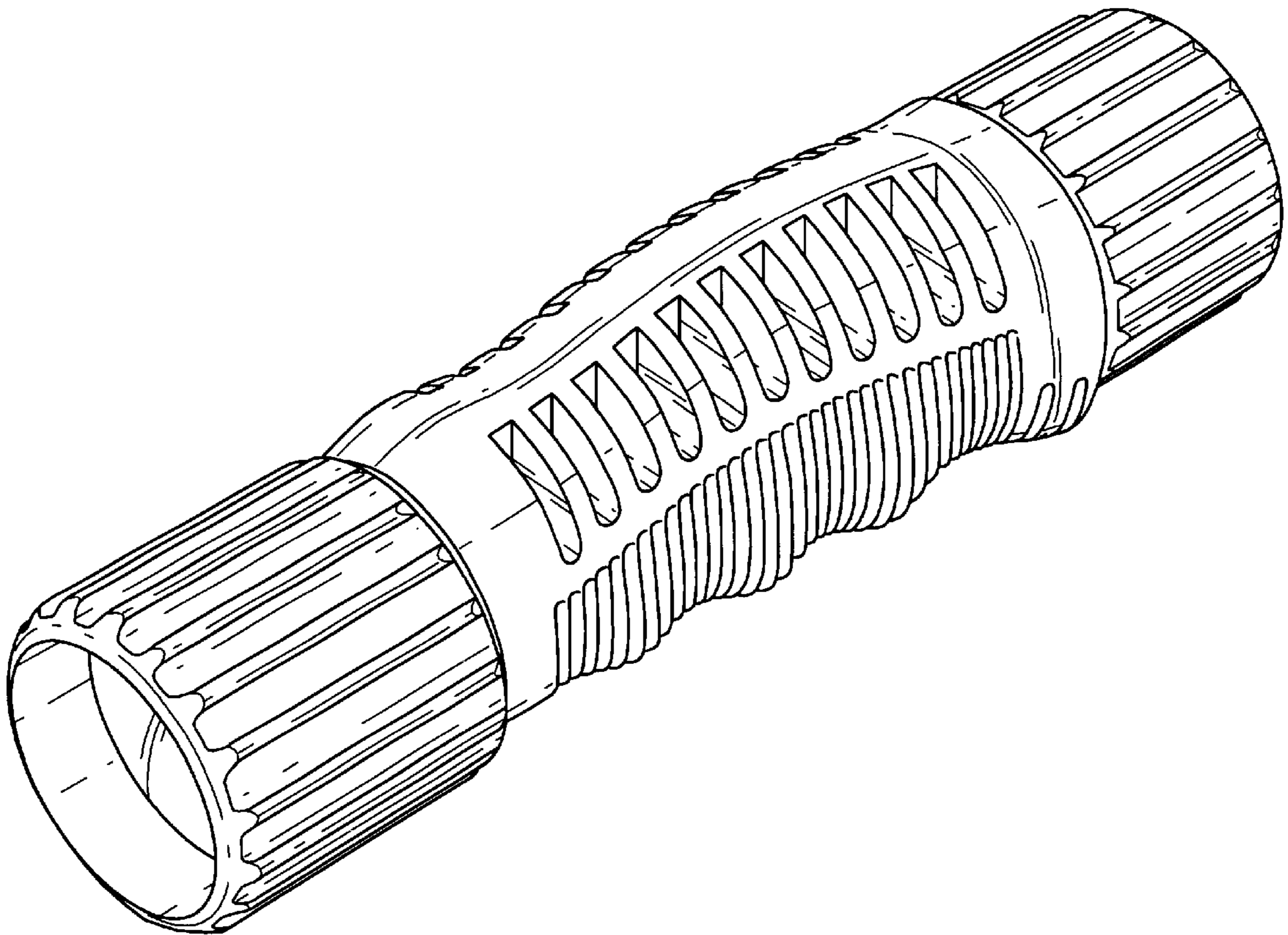
(57) **CLAIM**

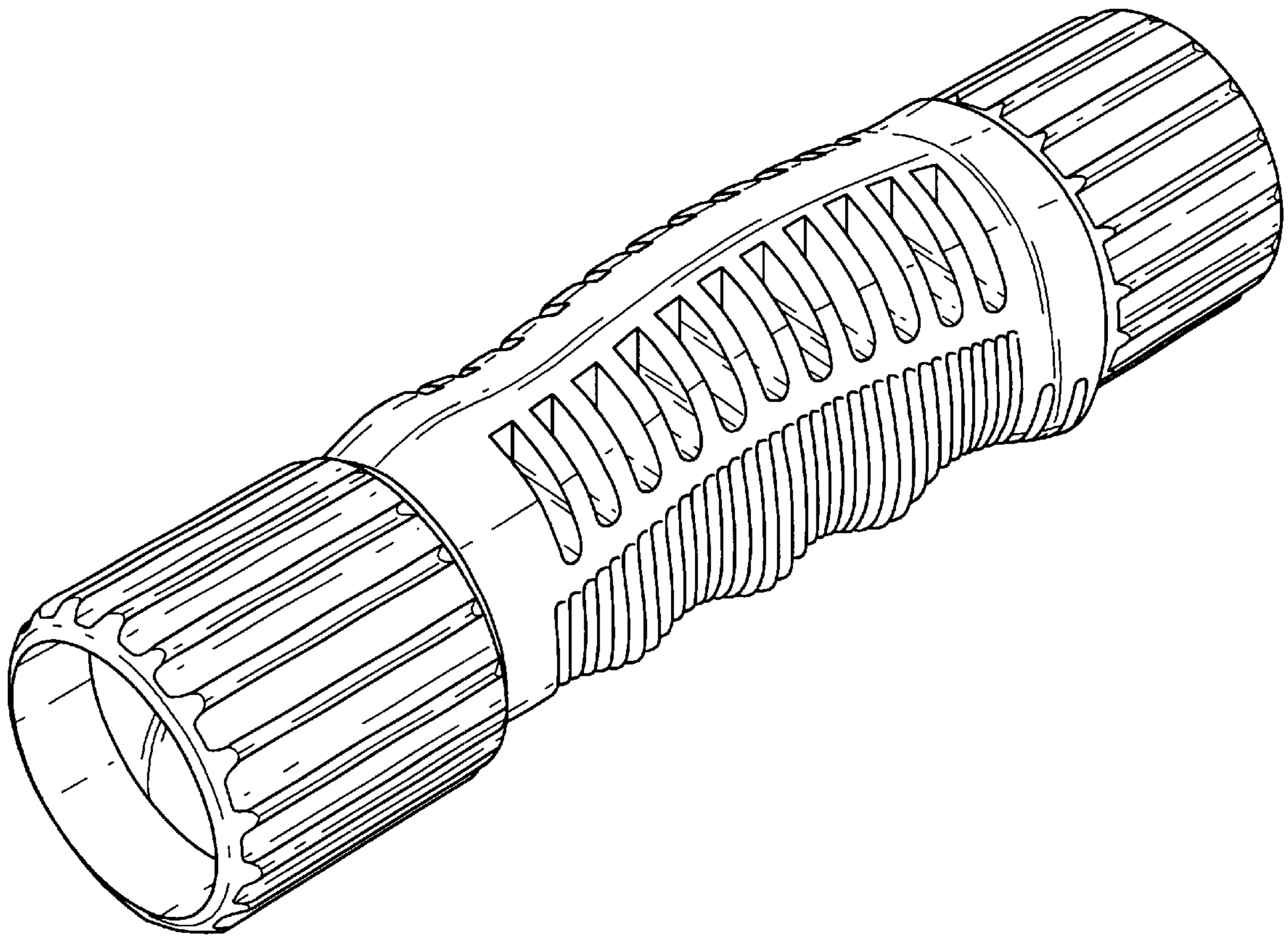
The ornamental design for a flashlight, as shown and described.

**DESCRIPTION**

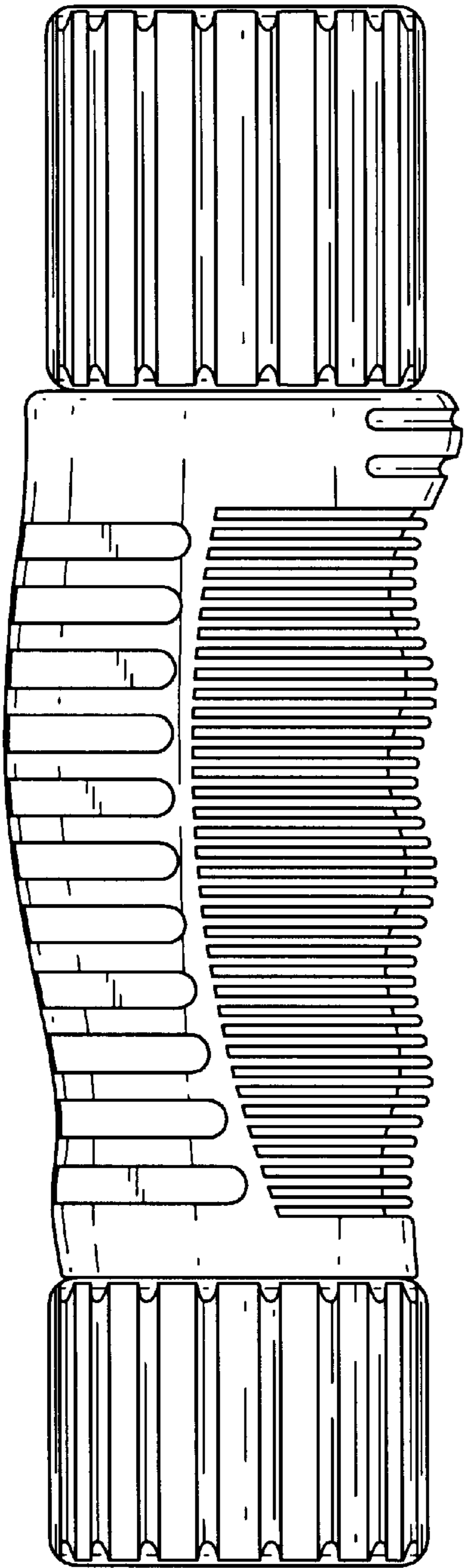
FIG. 1 is a perspective view of a flashlight showing my new design;  
FIG. 2 is a right side view thereof, the left side view being substantially a mirror image thereof;  
FIG. 3 is a top view thereof;  
FIG. 4 is a bottom view thereof;  
FIG. 5 is a front view thereof;  
FIG. 6 is a back view thereof;  
FIG. 7 is a right side view of an alternative embodiment of a flashlight showing my new design, the left side view being substantially a mirror image thereof;  
FIG. 8 is a top view thereof; and,  
FIG. 9 is a bottom view thereof.

**1 Claim, 5 Drawing Sheets**

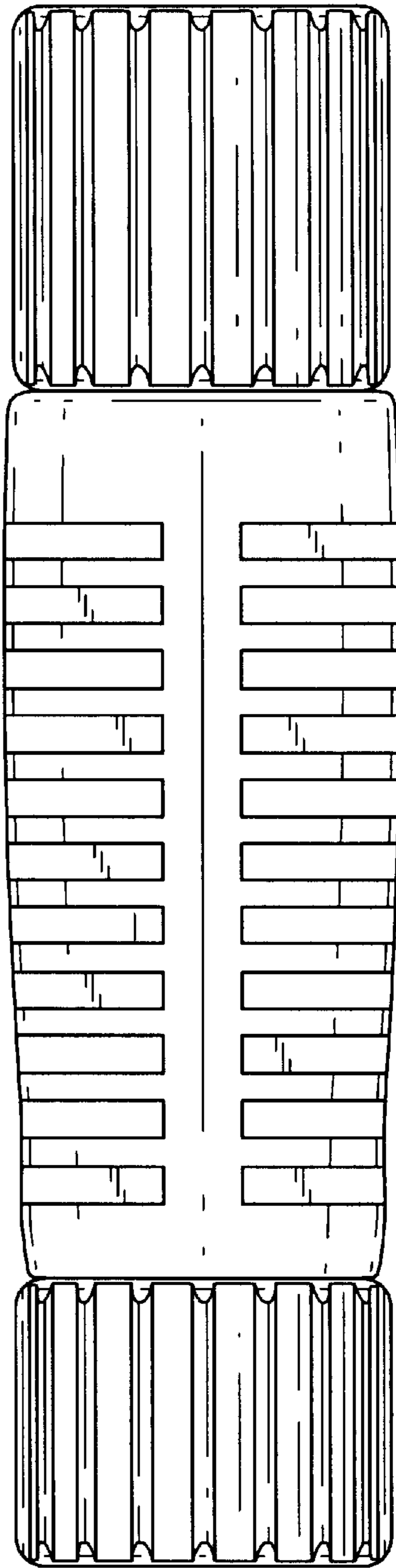




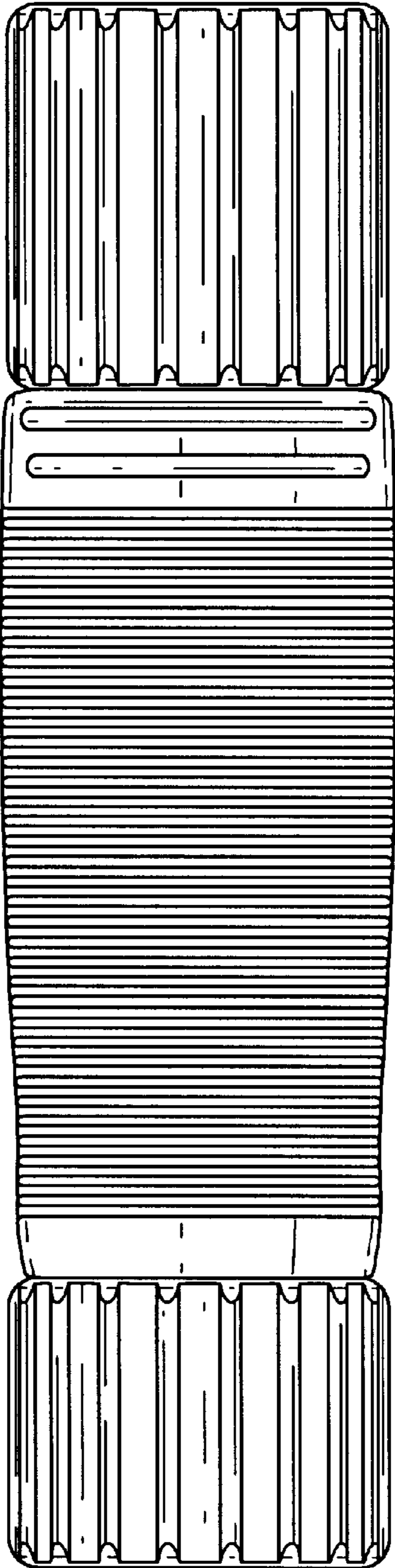
**FIG. 1**



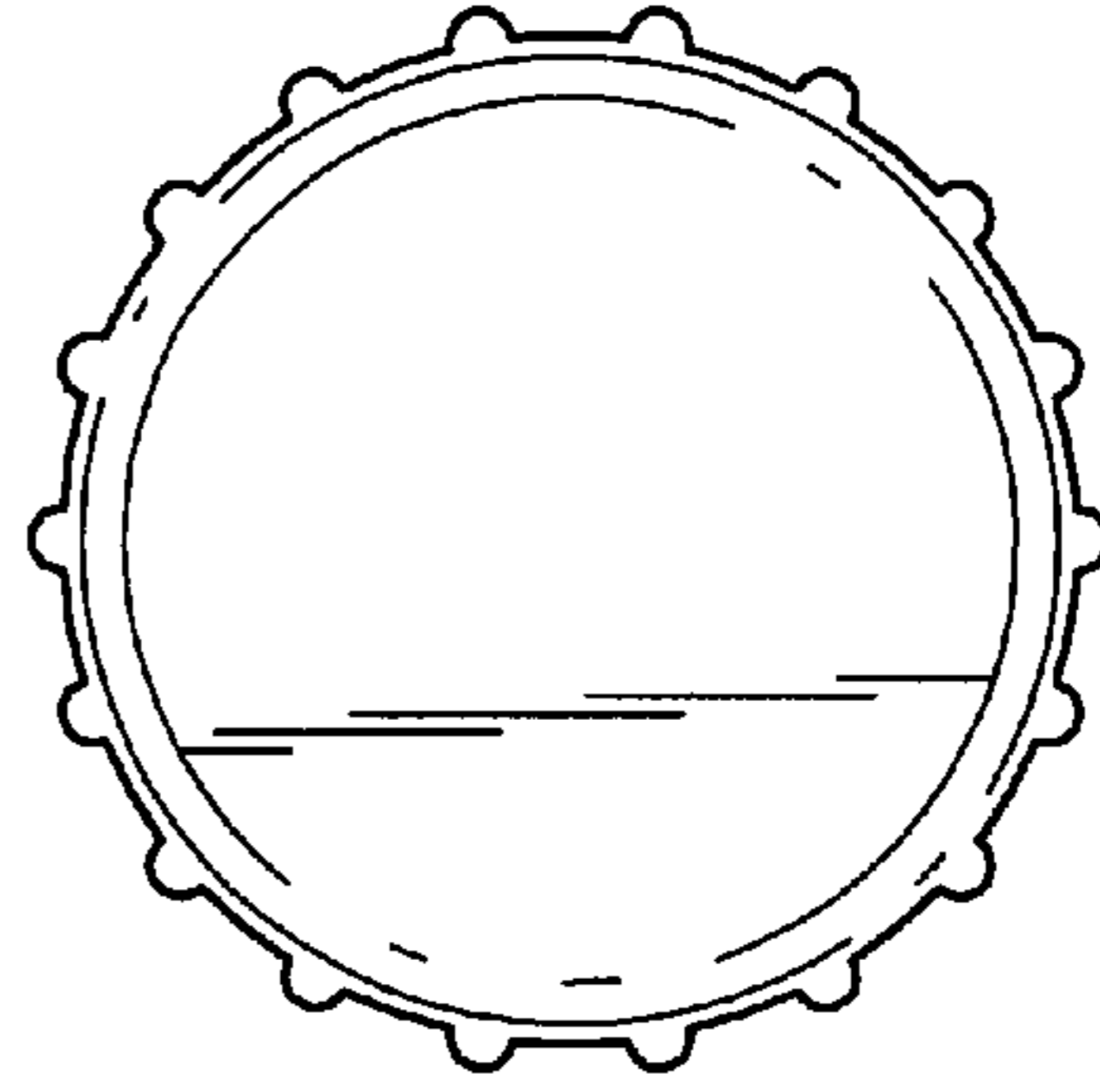
**FIG. 2**



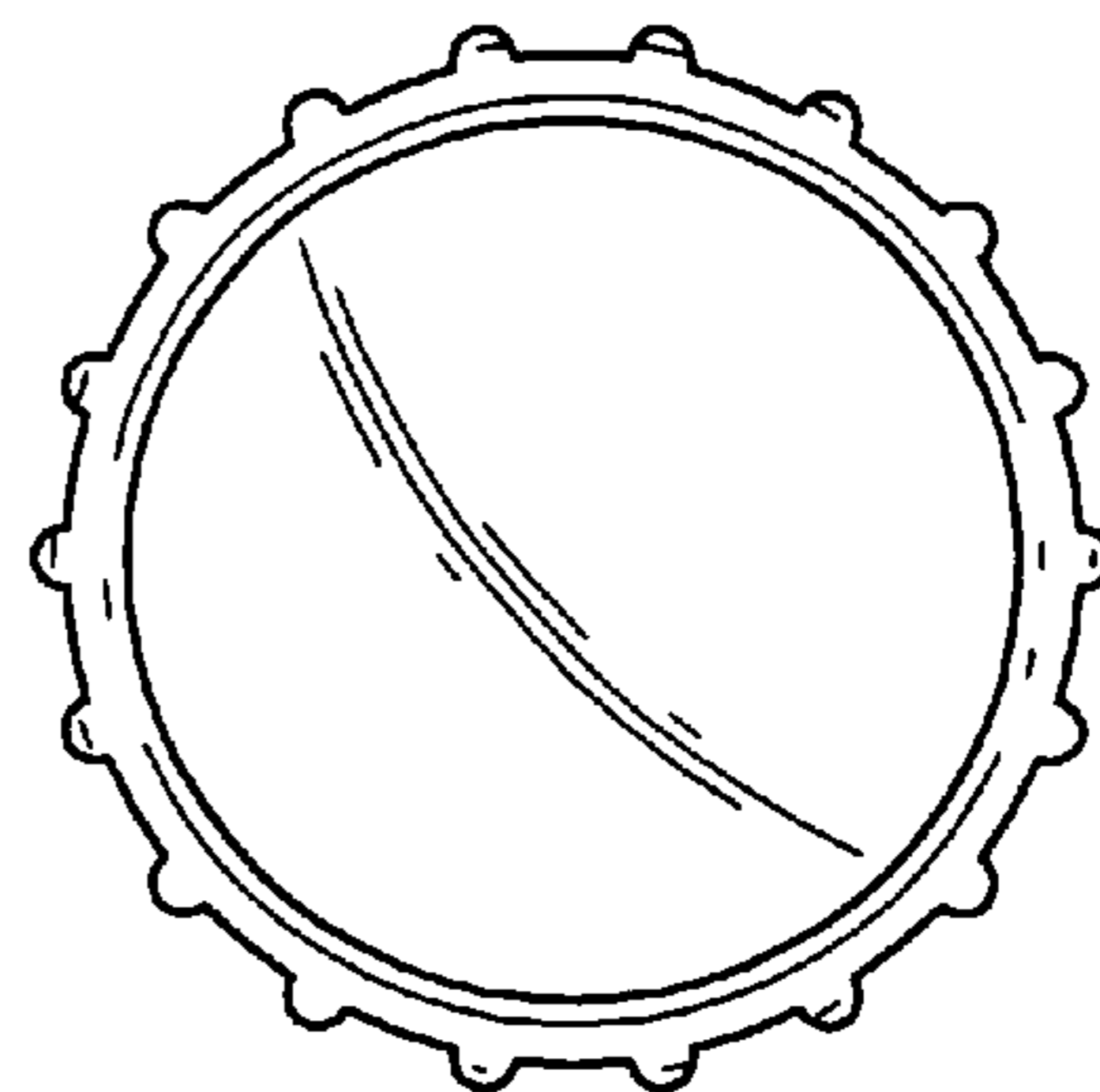
**FIG. 3**



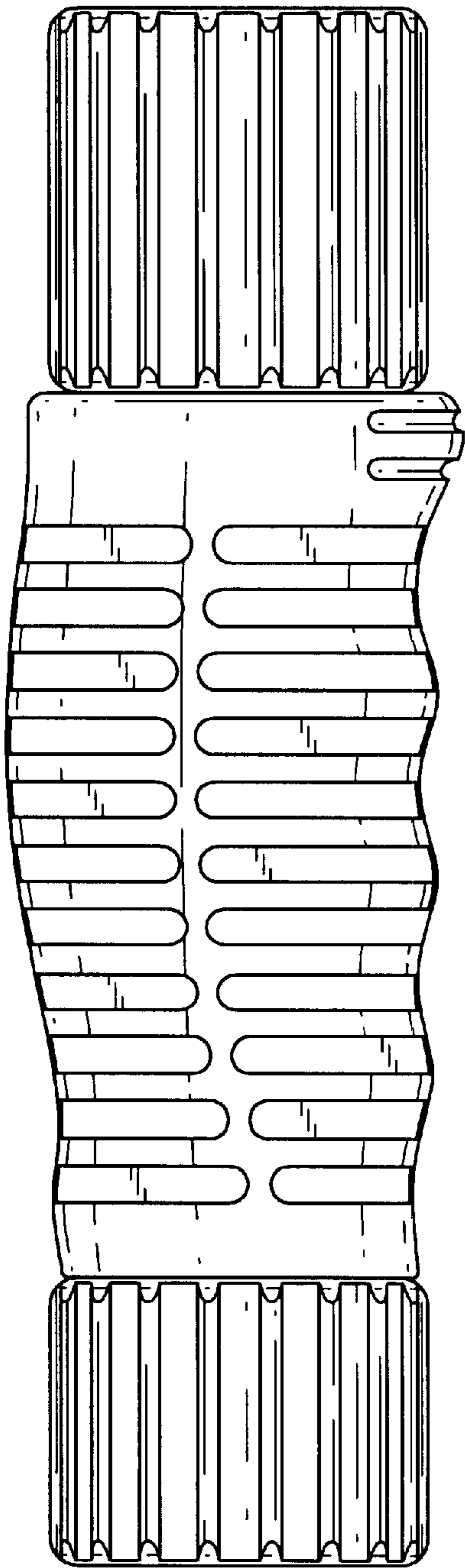
**FIG. 4**



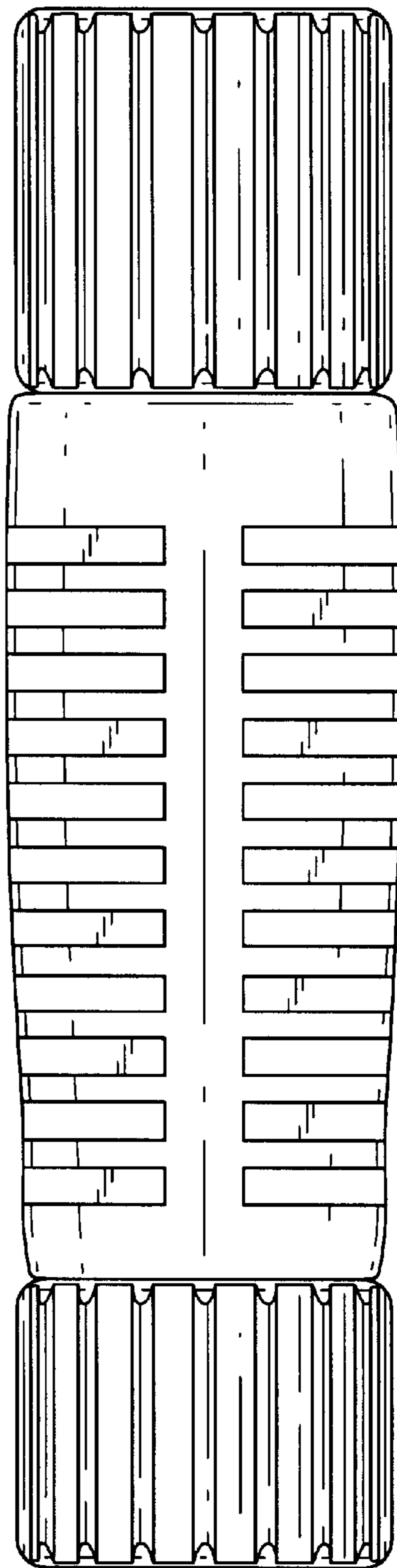
**FIG. 6**



**FIG. 5**

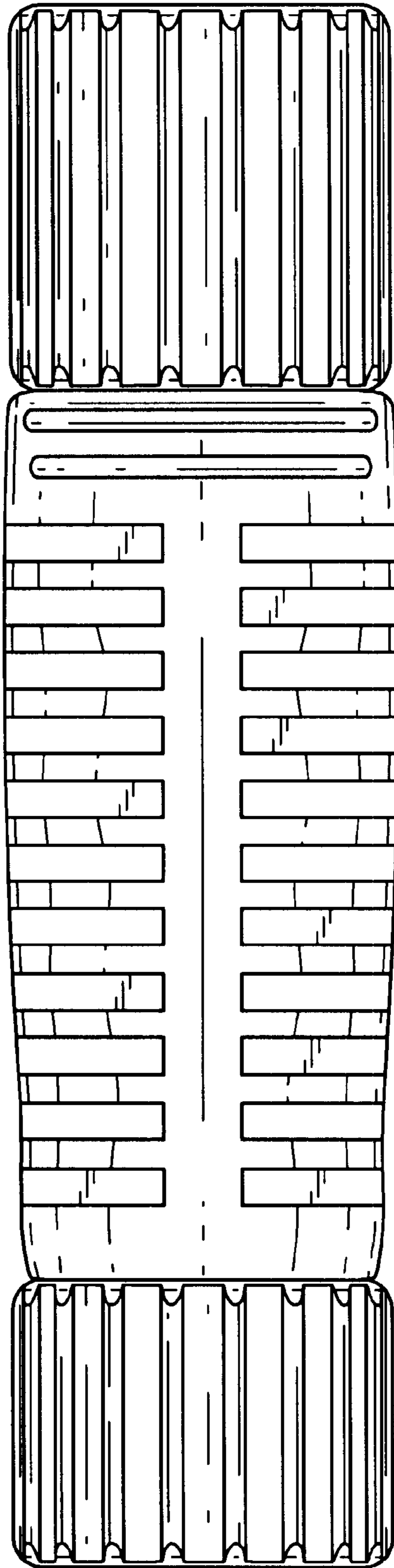


**FIG. 7**



**FIG. 8**





**FIG. 9**