



US00D463595S

(12) **United States Design Patent**
Cheong et al.

(10) **Patent No.:** **US D463,595 S**

(45) **Date of Patent:** **** Sep. 24, 2002**

(54) **FLASHLIGHT**

(75) Inventors: **Ellis Hon Siu Cheong**, Shunshine
(HK); **David Chau Nam Wai**, Kennedy
(HK)

(73) Assignee: **The Brinkmann Corporation**, Dallas,
TX (US)

(**) Term: **14 Years**

(21) Appl. No.: **29/147,128**

(22) Filed: **Aug. 21, 2001**

(51) **LOC (7) Cl.** **26-02**

(52) **U.S. Cl.** **D26/49**

(58) **Field of Search** D26/37-50; 362/157,
362/158, 171, 172, 173, 181-208

(56) **References Cited**

U.S. PATENT DOCUMENTS

D420,457 S	*	2/2000	Breit	D26/49
D433,171 S	*	10/2000	Petterson et al.	D26/49
D435,922 S	*	1/2001	Shing	D26/49
D445,208 S	*	7/2001	Israel et al.	D26/49

* cited by examiner

Primary Examiner—Marcus A. Jackson

(74) *Attorney, Agent, or Firm*—Sheppard, Mullin, Richter
& Hampton LLP

(57) **CLAIM**

Claimed is the ornamental design for a flashlight, as shown
and described.

DESCRIPTION

FIG. 1 is a perspective view of a first embodiment of a
flashlight embodying the new design.

FIG. 2 is a front side elevational view of the design depicted
in FIG. 1.

FIG. 3 is a rear side elevational view of the design depicted
in FIG. 1.

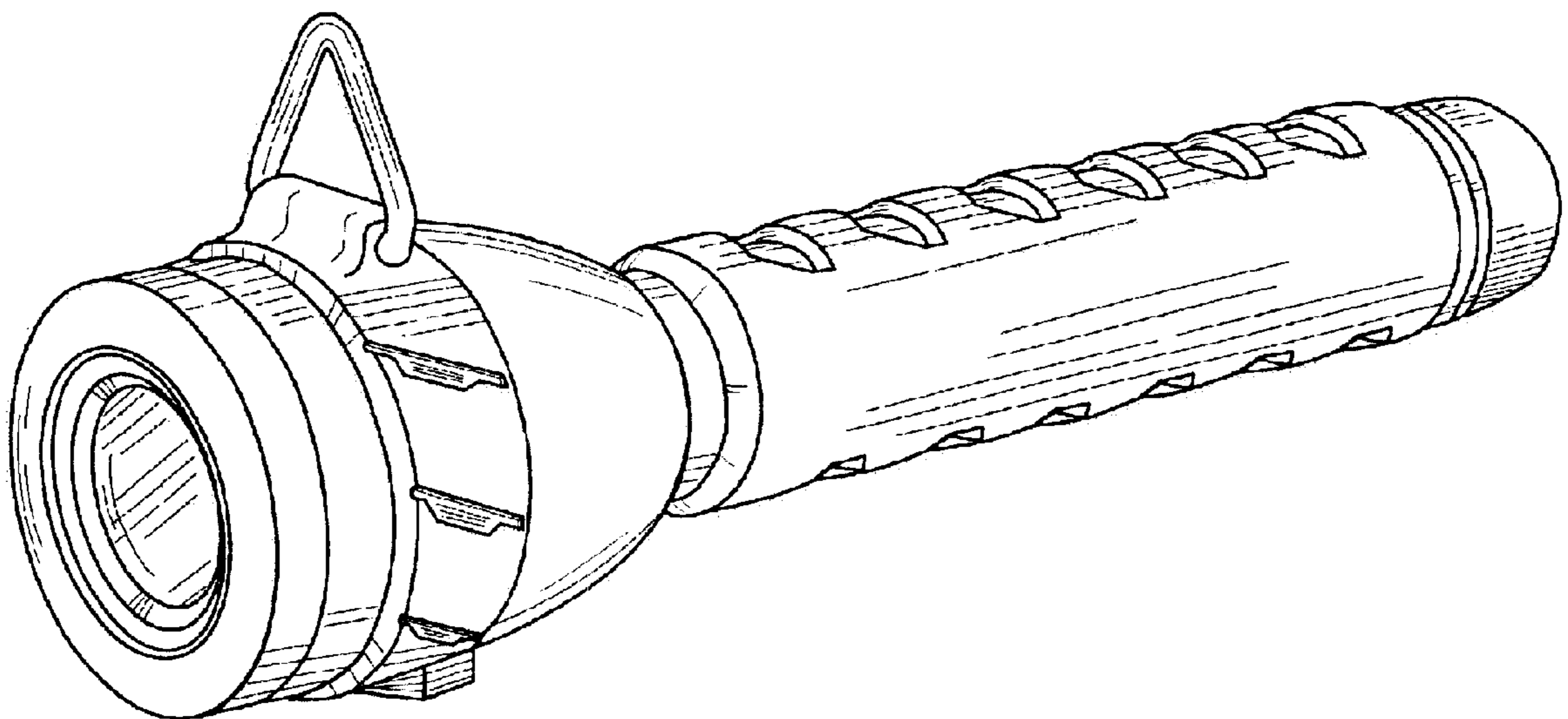
FIG. 4 is a left side elevational view of the design depicted
in FIG. 1.

FIG. 5 is a top plan view of the design depicted in FIG. 1.

FIG. 6 is a right side elevational view of the design depicted
in FIG. 1; and,

FIG. 7 is a bottom plan view of the design depicted in FIG.
1.

1 Claim, 2 Drawing Sheets



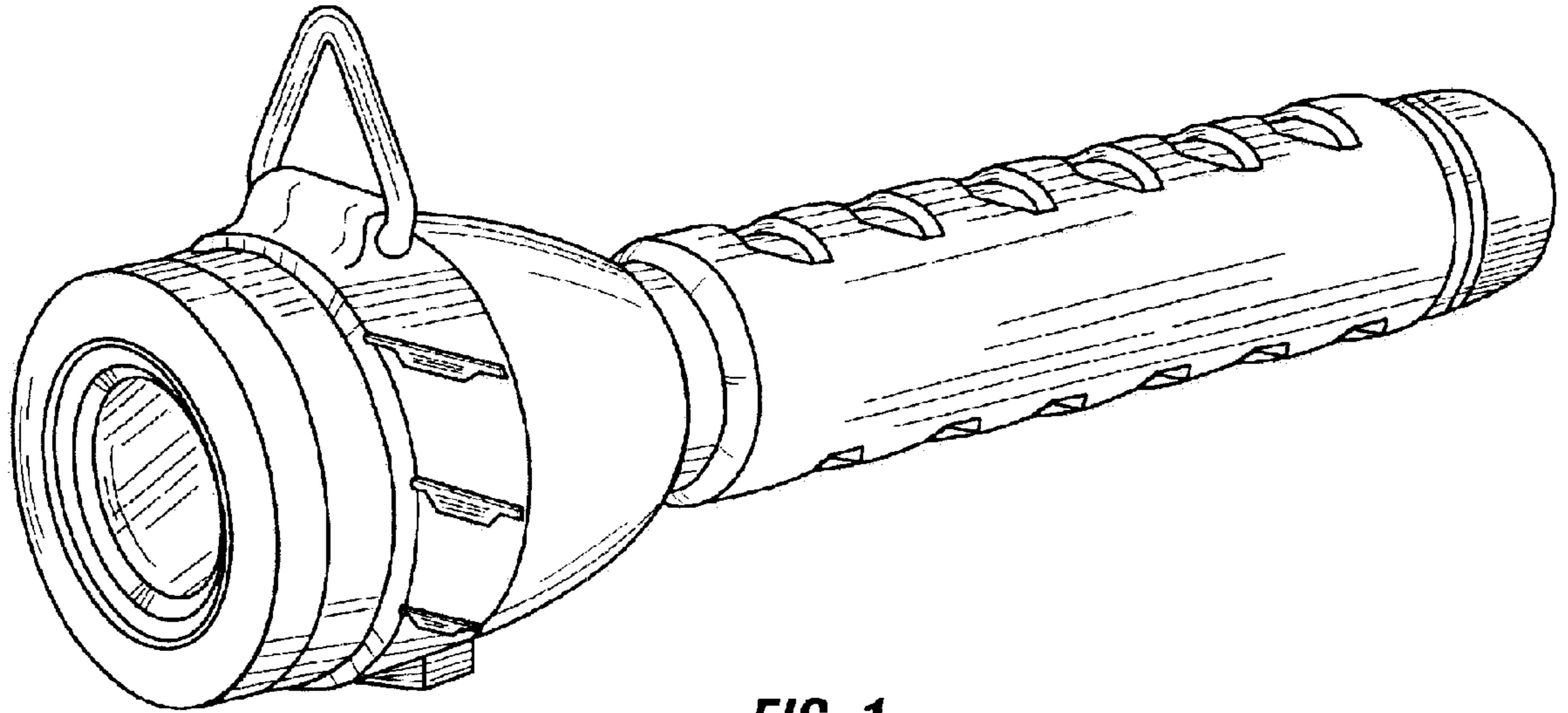


FIG. 1

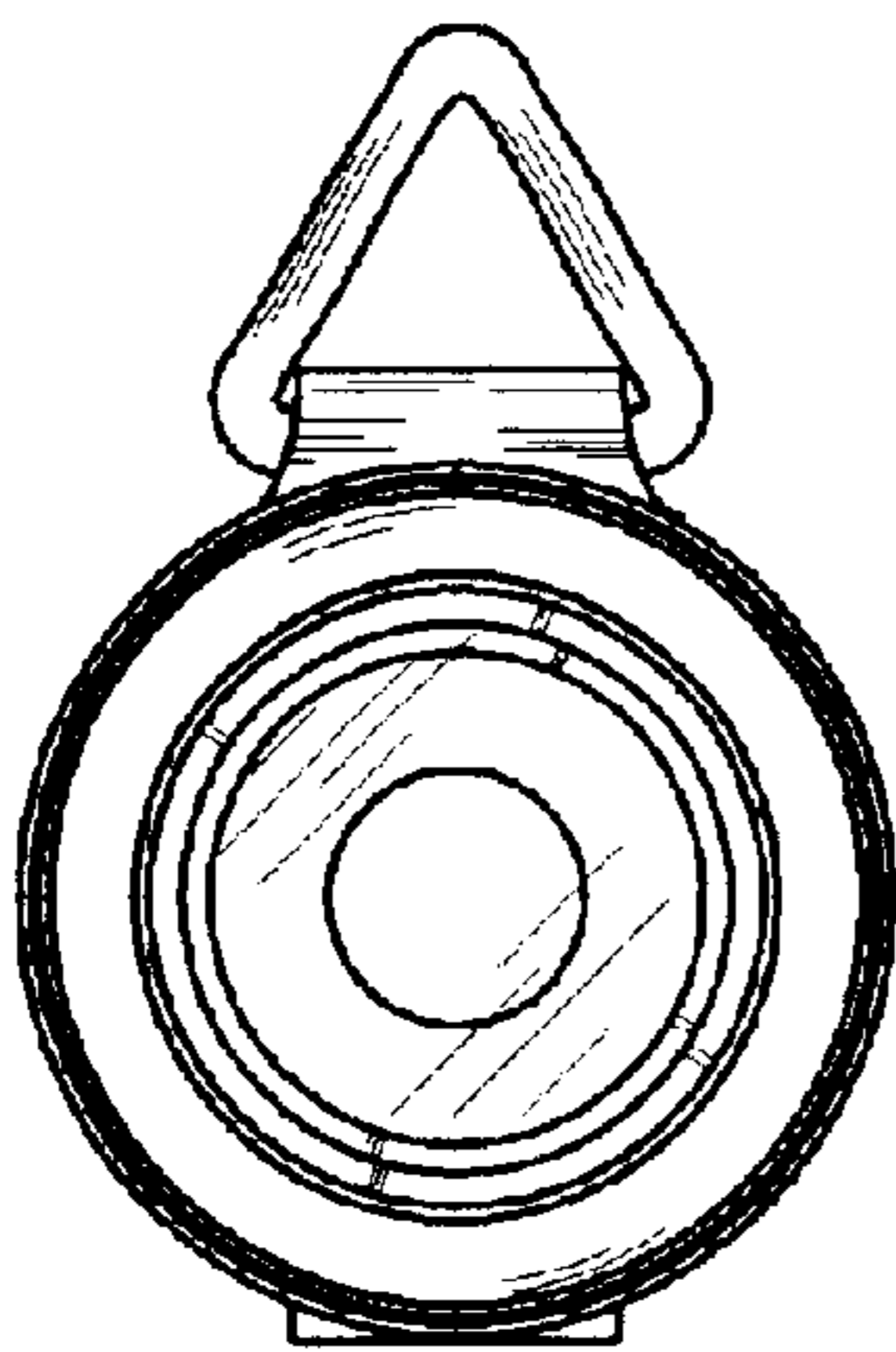


FIG. 2

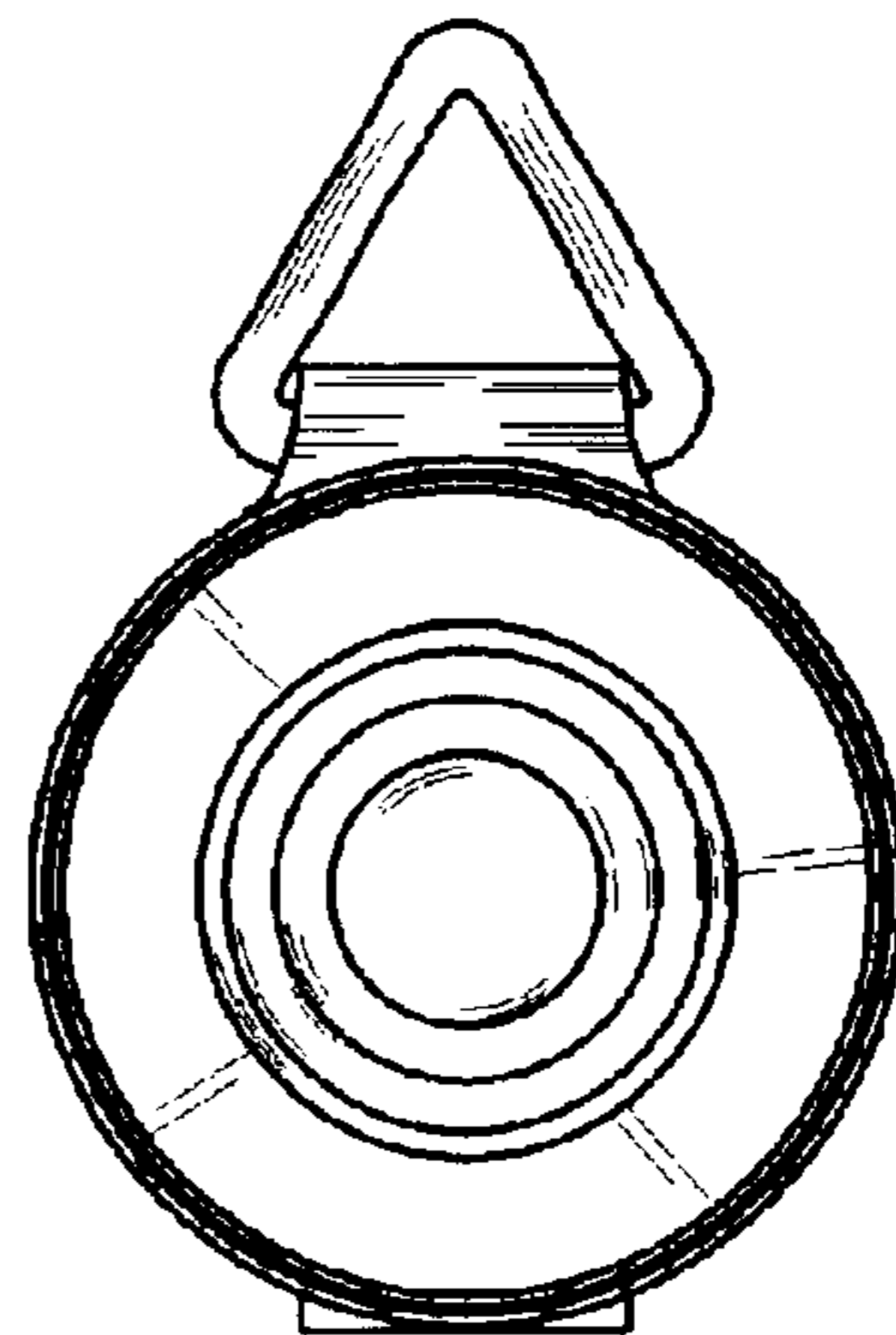


FIG. 3

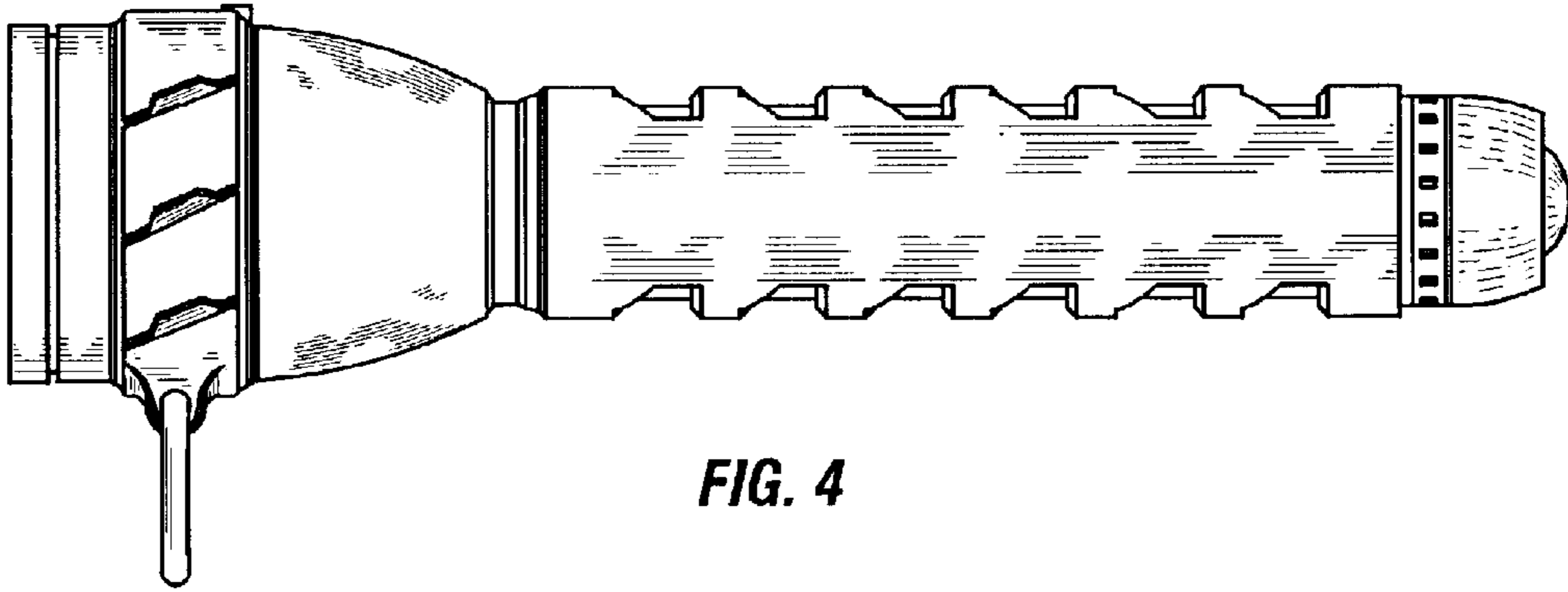


FIG. 4

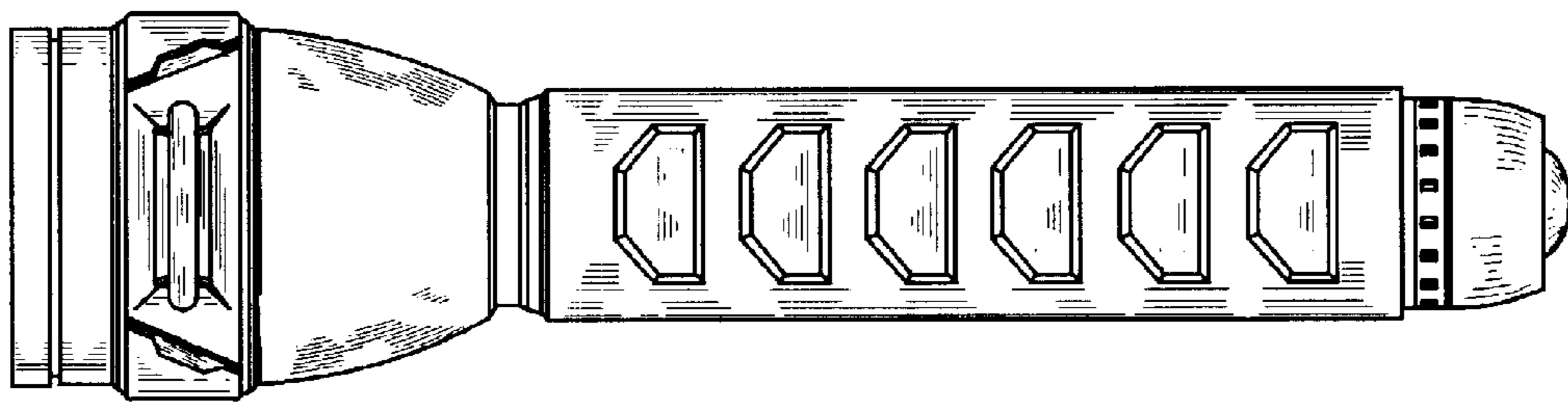


FIG. 5

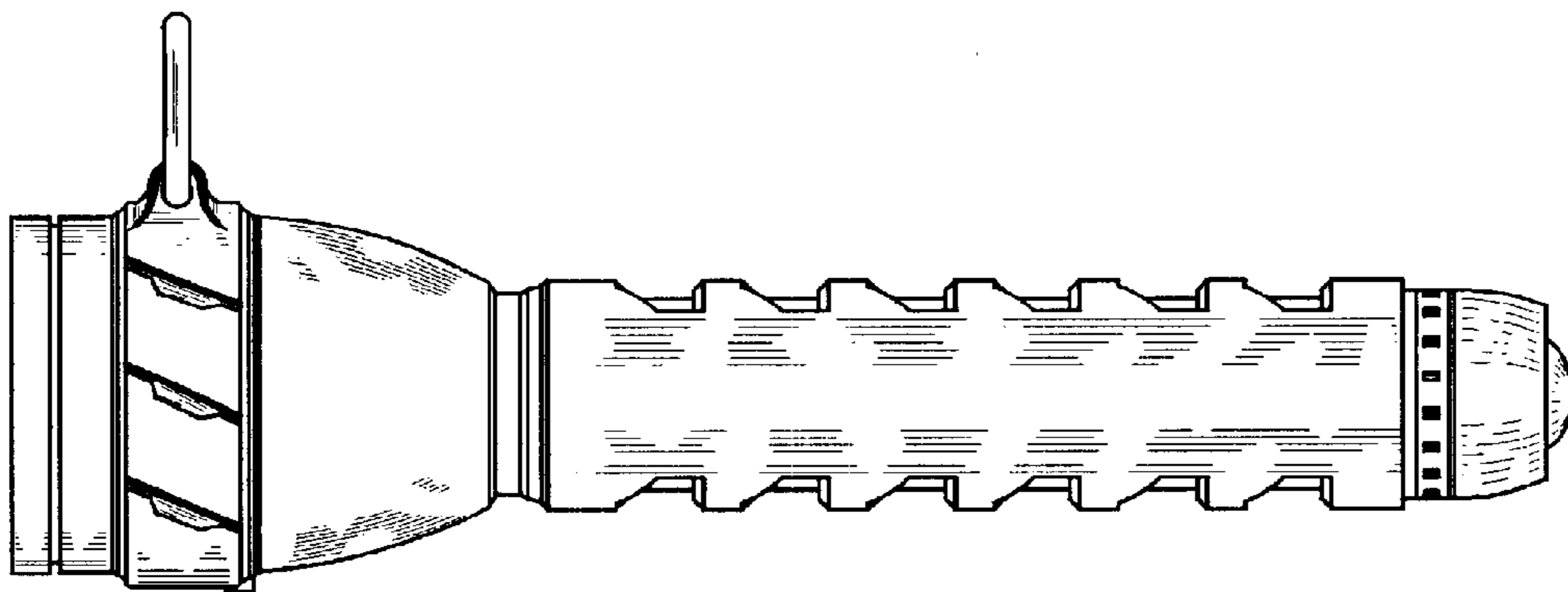


FIG. 6

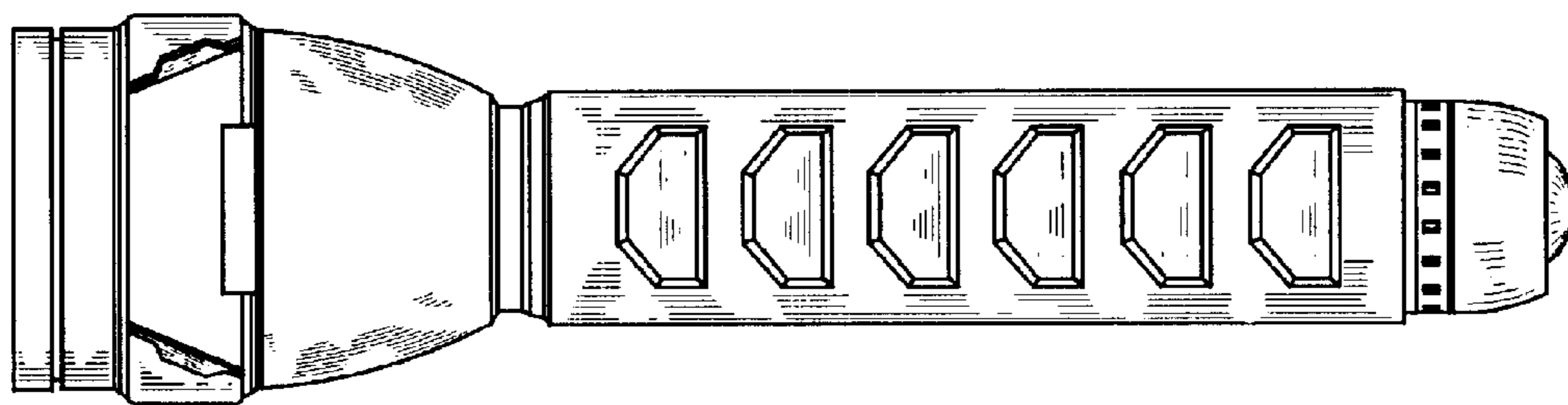


FIG. 7