



US00D463594S

(12) **United States Design Patent**  
**Cheong et al.**

(10) **Patent No.:** **US D463,594 S**

(45) **Date of Patent:** **\*\* Sep. 24, 2002**

(54) **FLASHLIGHT**

(75) Inventors: **Ellis Hon Siu Cheong**, Shunshine (HK); **David Chau Nam Wai**, Kennedy (HK)

(73) Assignee: **The Brinkmann Corporation**, Dallas, TX (US)

(\*\*) Term: **14 Years**

(21) Appl. No.: **29/147,127**

(22) Filed: **Aug. 21, 2001**

(51) **LOC (7) Cl.** ..... **26-02**

(52) **U.S. Cl.** ..... **D26/49**

(58) **Field of Search** ..... D26/37-50; 362/157, 362/158, 171, 172, 173, 181-208

(56) **References Cited**

**U.S. PATENT DOCUMENTS**

D431,085 S \* 9/2000 Poon ..... D26/49  
D452,025 S \* 12/2001 Poon ..... D26/49

\* cited by examiner

*Primary Examiner*—Marcus A. Jackson

(74) *Attorney, Agent, or Firm*—Sheppard, Mullin, Richter & Hampton LLP

(57) **CLAIM**

Claimed is the ornamental design for a flashlight, as shown and described.

**DESCRIPTION**

FIG. 1 is a perspective view of a first embodiment of a flashlight embodying the new design.

FIG. 2 is a front side elevational view of the design depicted in FIG. 1.

FIG. 3 is a rear side elevational view of the design depicted in FIG. 1.

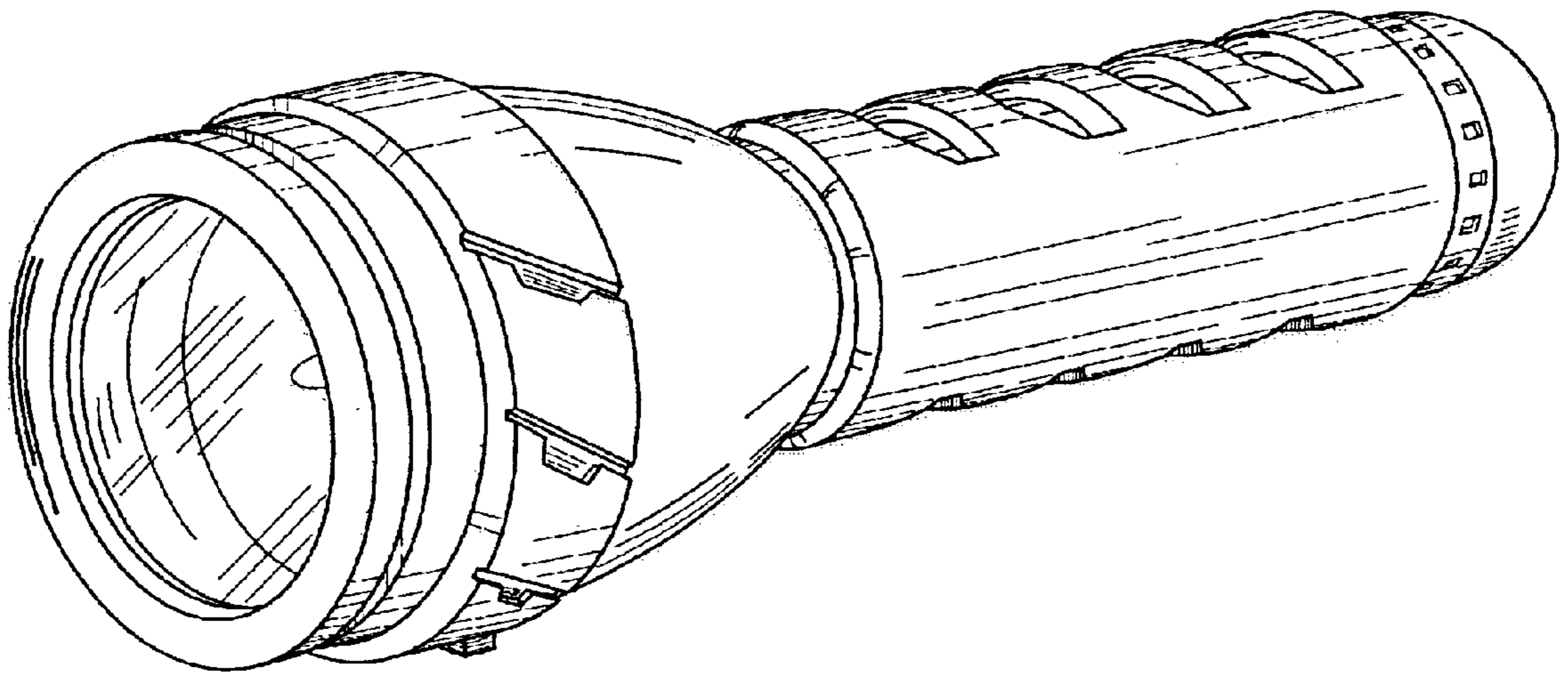
FIG. 4 is a left side elevational view of the design depicted in FIG. 1.

FIG. 5 is a top plan view of the design depicted in FIG. 1.

FIG. 6 is a right side elevational view of the design depicted in FIG. 1; and,

FIG. 7 is a bottom plan view of the design depicted in FIG. 1.

**1 Claim, 2 Drawing Sheets**



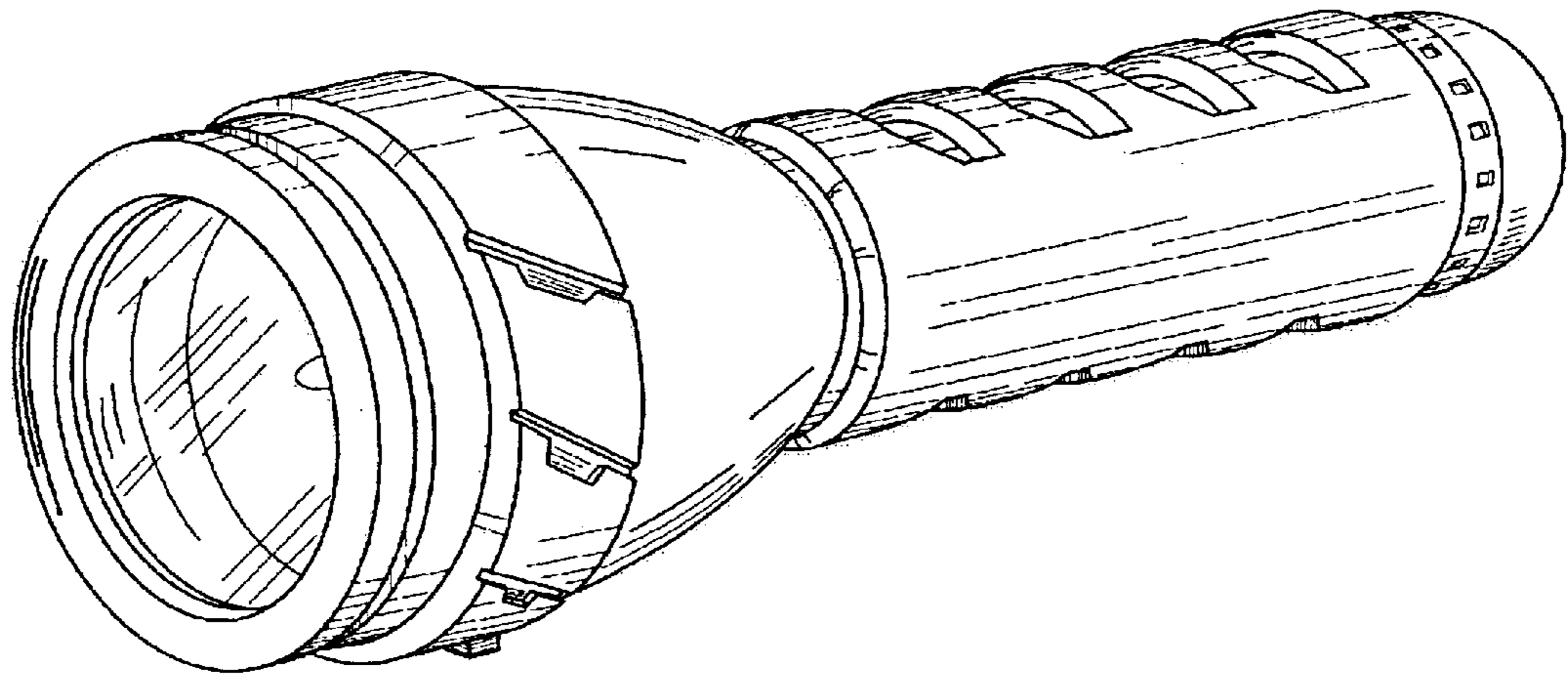


FIG. 1

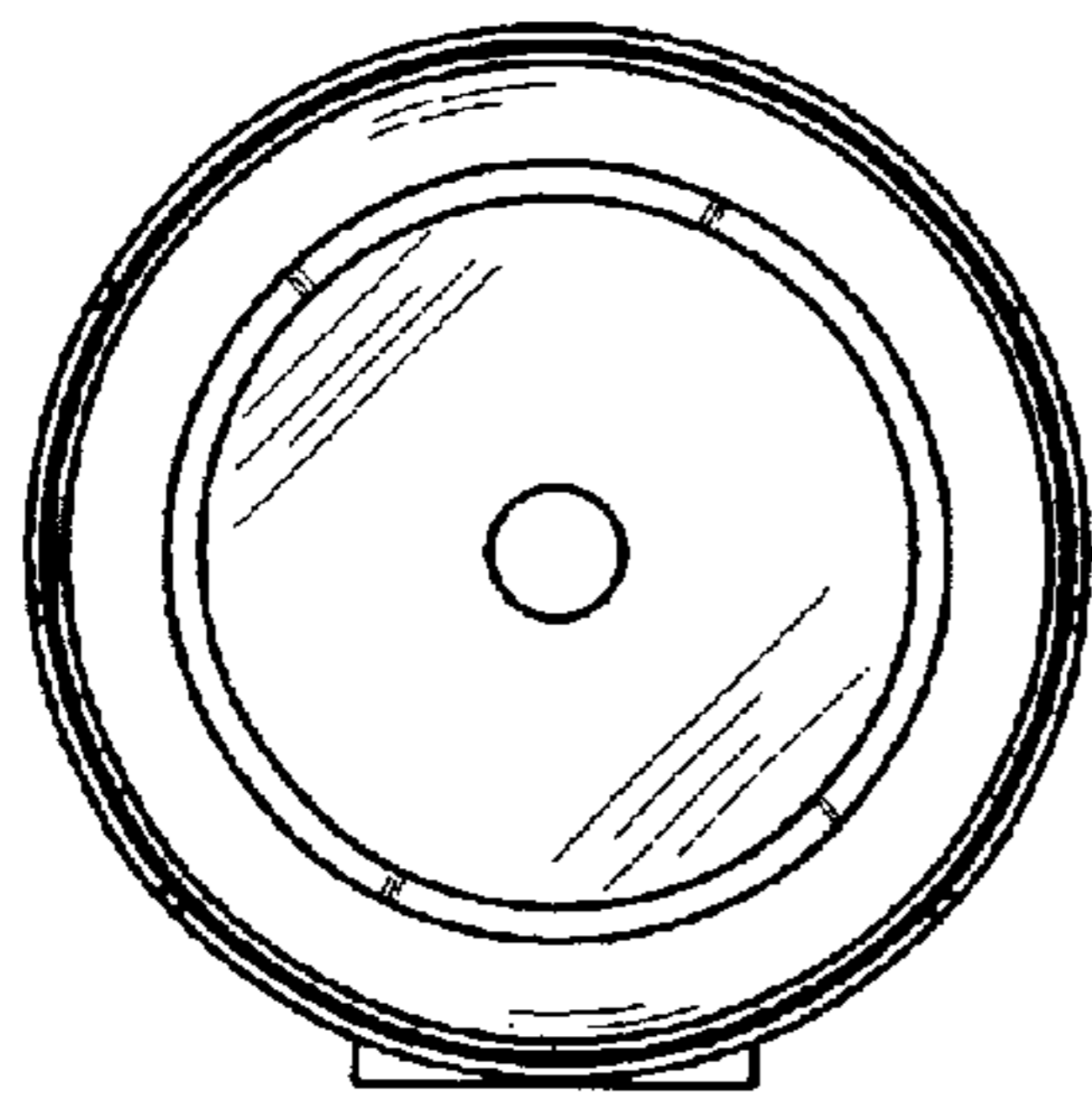


FIG. 2

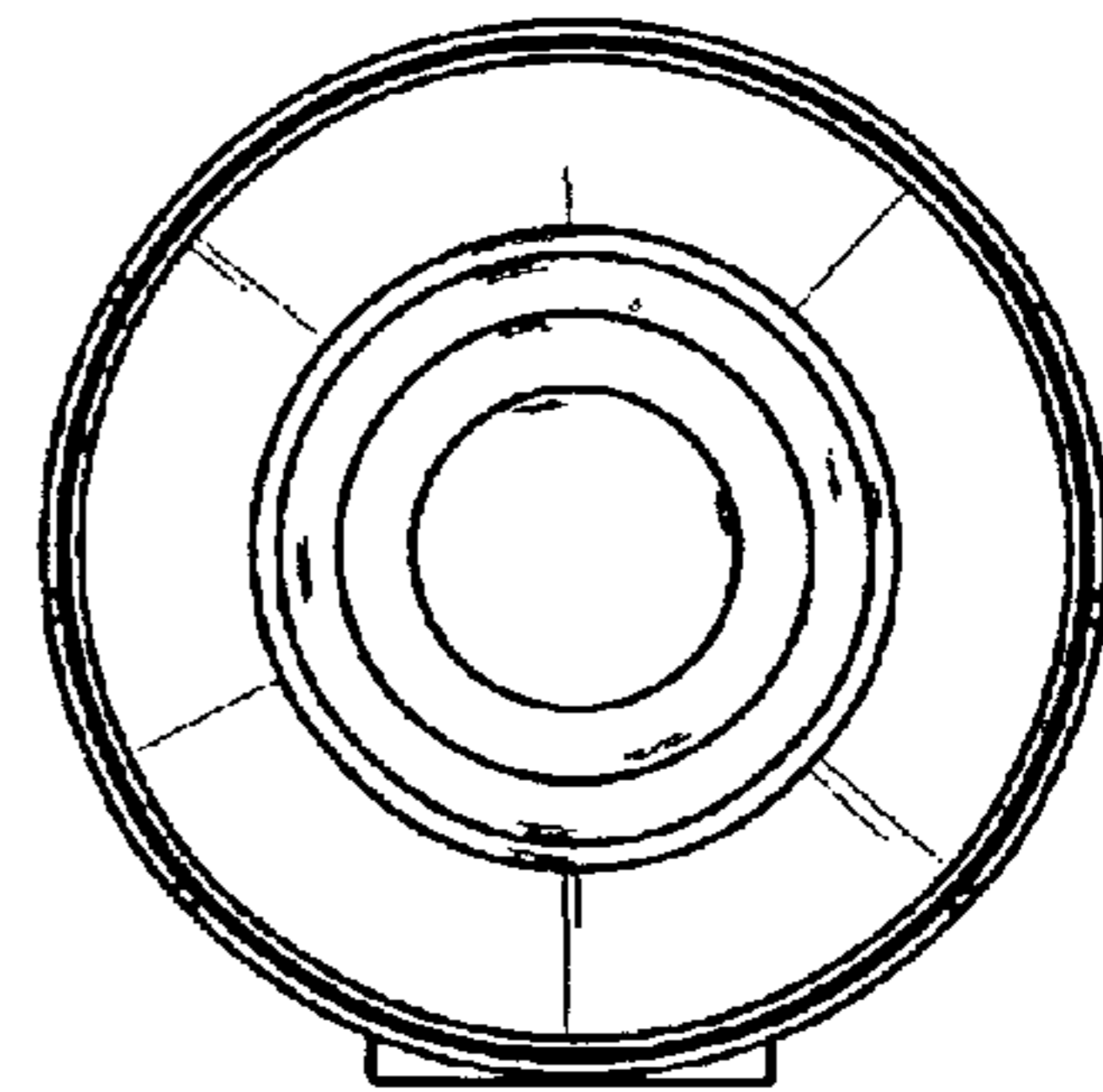


FIG. 3

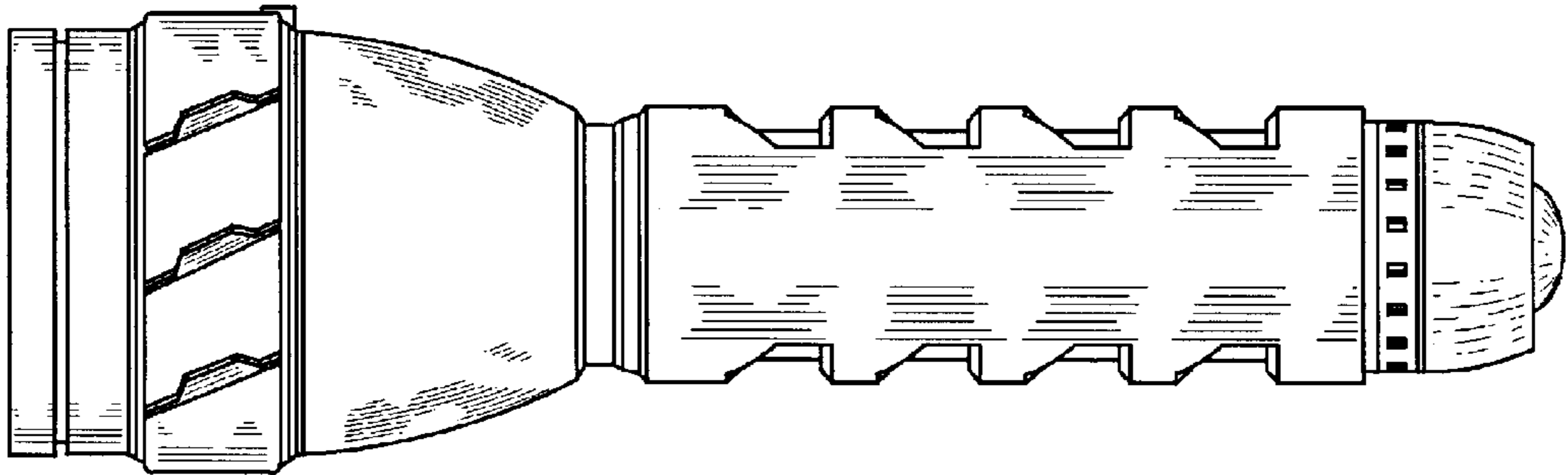


FIG. 4

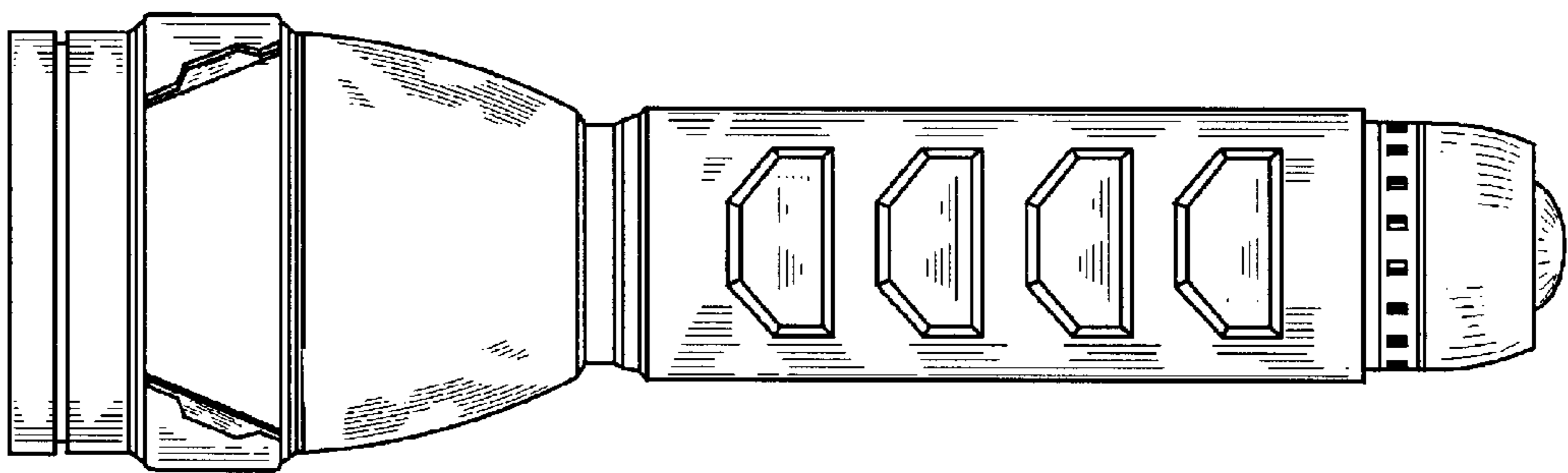


FIG. 5

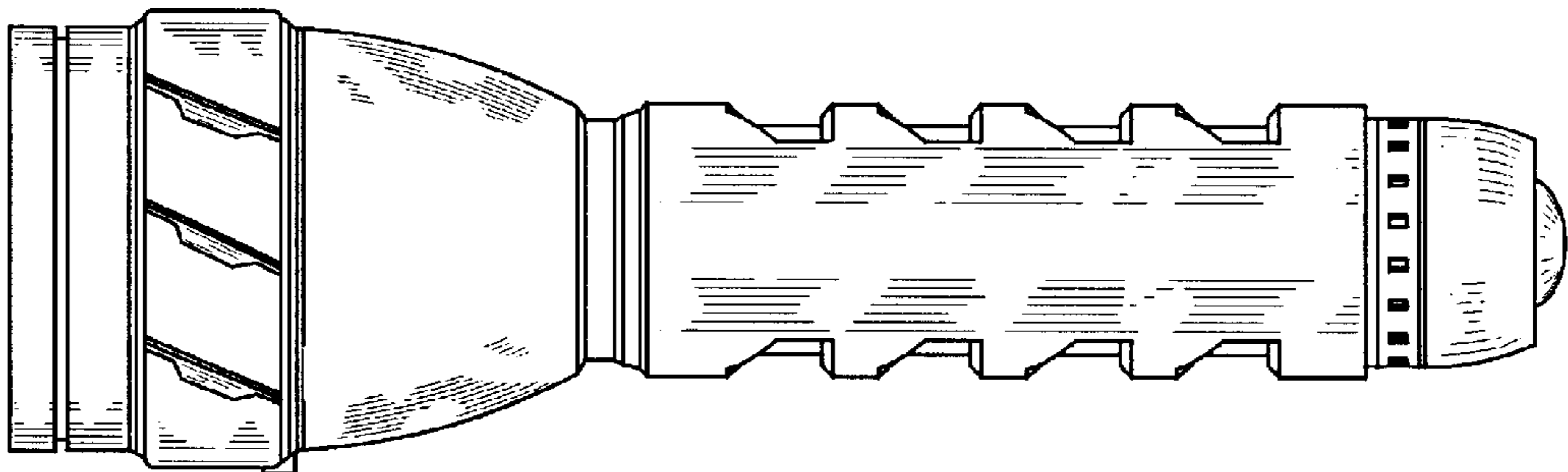


FIG. 6

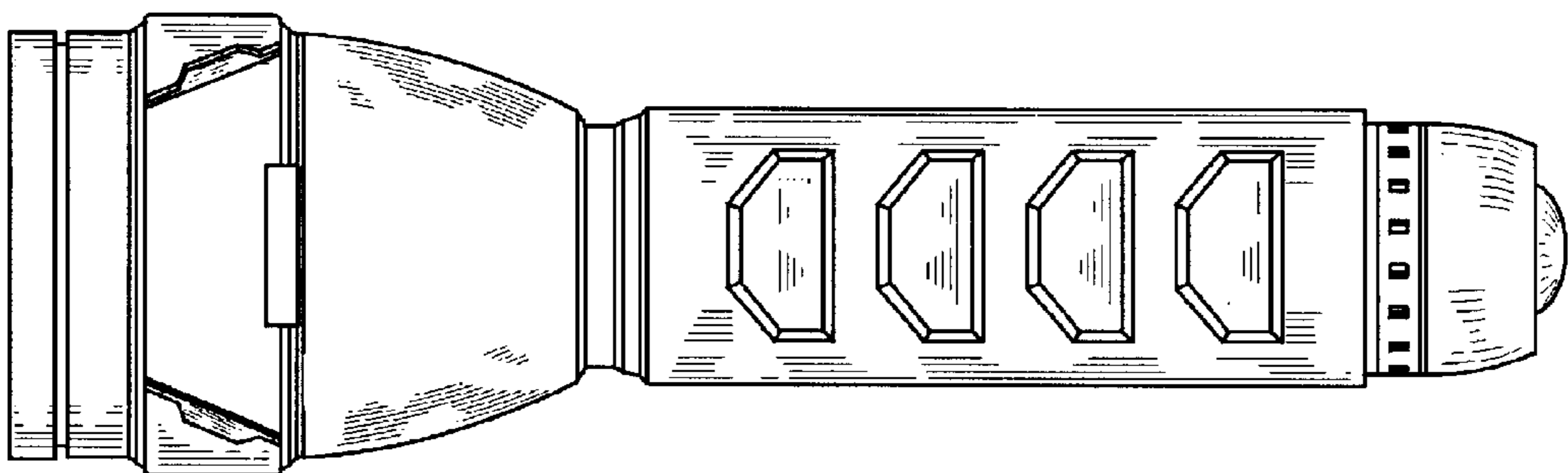


FIG. 7